



US00D748058S

(12) **United States Design Patent**
Corona

(10) **Patent No.:** **US D748,058 S**
(45) **Date of Patent:** **** Jan. 26, 2016**

- (54) **ELECTRICAL CONNECTOR**
- (71) Applicant: **DSM&T Company, Inc.**, Fontana, CA (US)
- (72) Inventor: **Sergio Corona**, Upland, CA (US)
- (73) Assignee: **DSM&T Company, Inc.**, Fontana, CA (US)
- (**) Term: **14 Years**
- (21) Appl. No.: **29/511,404**
- (22) Filed: **Dec. 10, 2014**
- (51) **LOC (10) Cl.** **13-03**
- (52) **U.S. Cl.**
USPC **D13/146**
- (58) **Field of Classification Search**
USPC D13/133, 146, 147, 154, 184, 199
See application file for complete search history.

D472,523 S *	4/2003	Hansen	D13/146
D560,610 S *	1/2008	McCoy	D13/133
7,390,210 B2	6/2008	Corona		
7,785,123 B2	8/2010	Corona		
D677,629 S	3/2013	Corona		
D678,200 S	3/2013	Corona		
D678,201 S *	3/2013	Corona	D13/133
D678,202 S	3/2013	Corona		
D678,203 S	3/2013	Corona		
D678,204 S	3/2013	Corona		
D729,169 S *	5/2015	Corona	D13/146
D735,671 S *	8/2015	Kuhnert	D13/146

* cited by examiner

Primary Examiner — Daniel Bui
(74) *Attorney, Agent, or Firm* — Keusey & Associates, P.C.

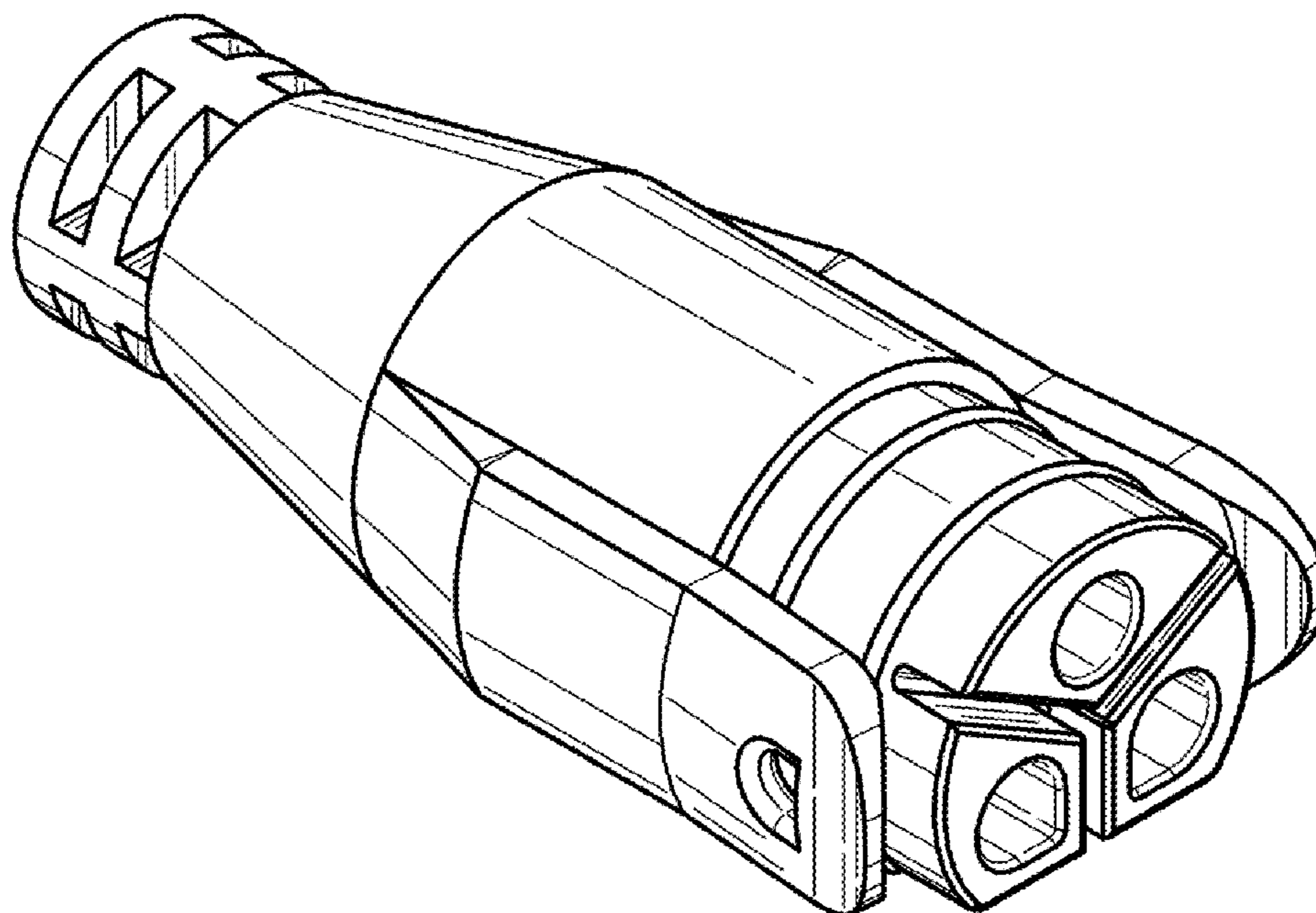
(57) **CLAIM**
The ornamental design for an electrical connector, as shown and described.

DESCRIPTION

FIG. 1 is a top, front and left side perspective view of an electrical connector showing my new design.
FIG. 2 is a right side elevational view thereof.
FIG. 3 is a left side elevational view thereof.
FIG. 4 is a top plan view thereof.
FIG. 5 is a bottom plan view thereof.
FIG. 6 is a front elevation view thereof; and,
FIG. 7 is a rear elevation view thereof.
The broken line in the figure drawing views is for the purpose of illustrating unclaimed environment only and forms no part of the claimed design.

1 Claim, 2 Drawing Sheets

- (56) **References Cited**
U.S. PATENT DOCUMENTS
- | | | | | |
|--------------|--------|--------|-------|---------|
| D188,419 S * | 7/1960 | Danesi | | D13/146 |
| 5,401,181 A | 3/1995 | Wilson | | |
| D360,871 S | 8/1995 | Wilson | | |
| D360,872 S | 8/1995 | Wilson | | |
| D437,828 S | 2/2001 | Corona | | |
| D439,221 S | 3/2001 | Corona | | |
| D445,763 S | 7/2001 | Corona | | |
| D446,186 S | 8/2001 | Corona | | |
| 6,379,169 B1 | 4/2002 | Corona | | |
| 6,383,003 B1 | 5/2002 | Corona | | |



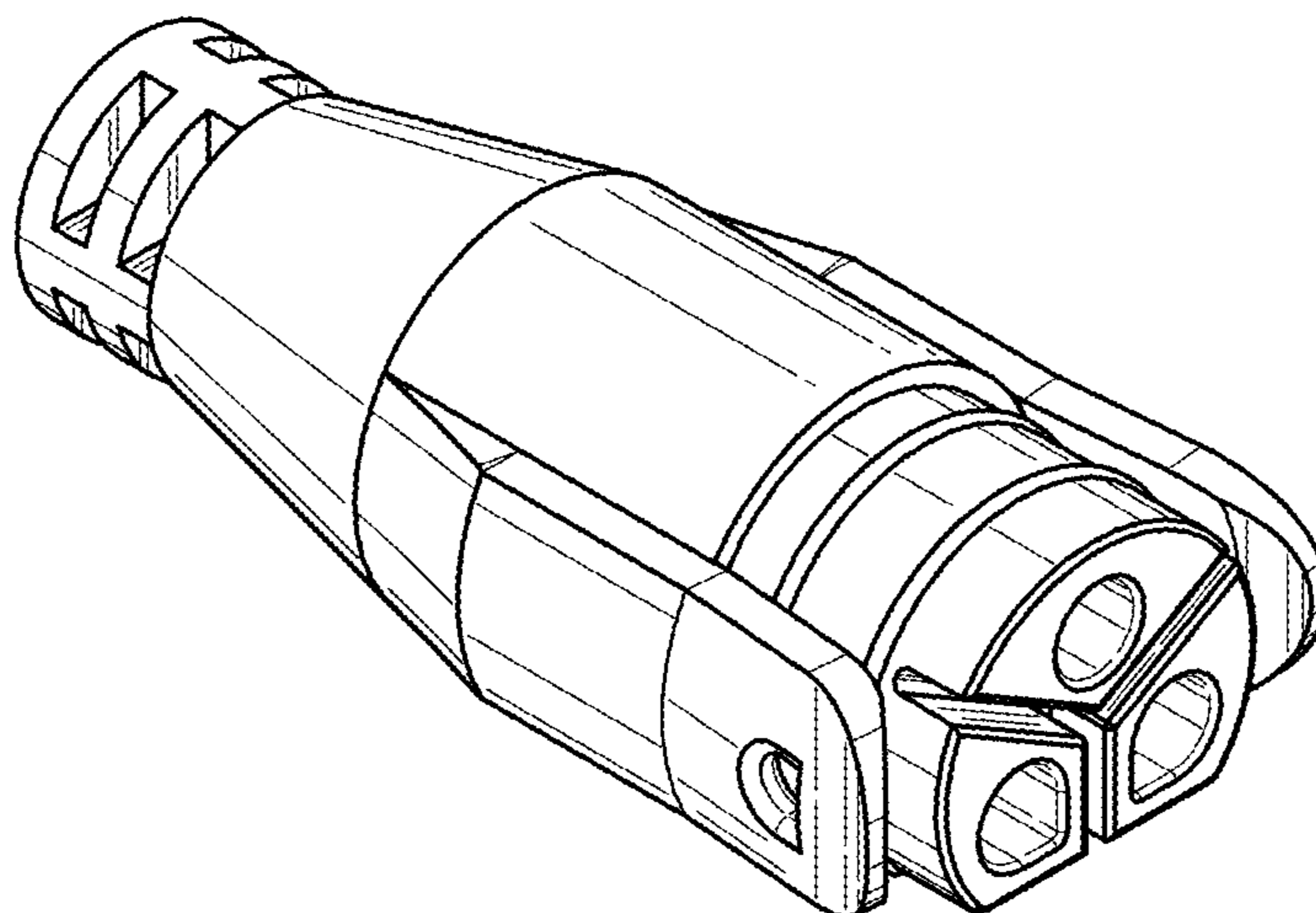


FIG. 1

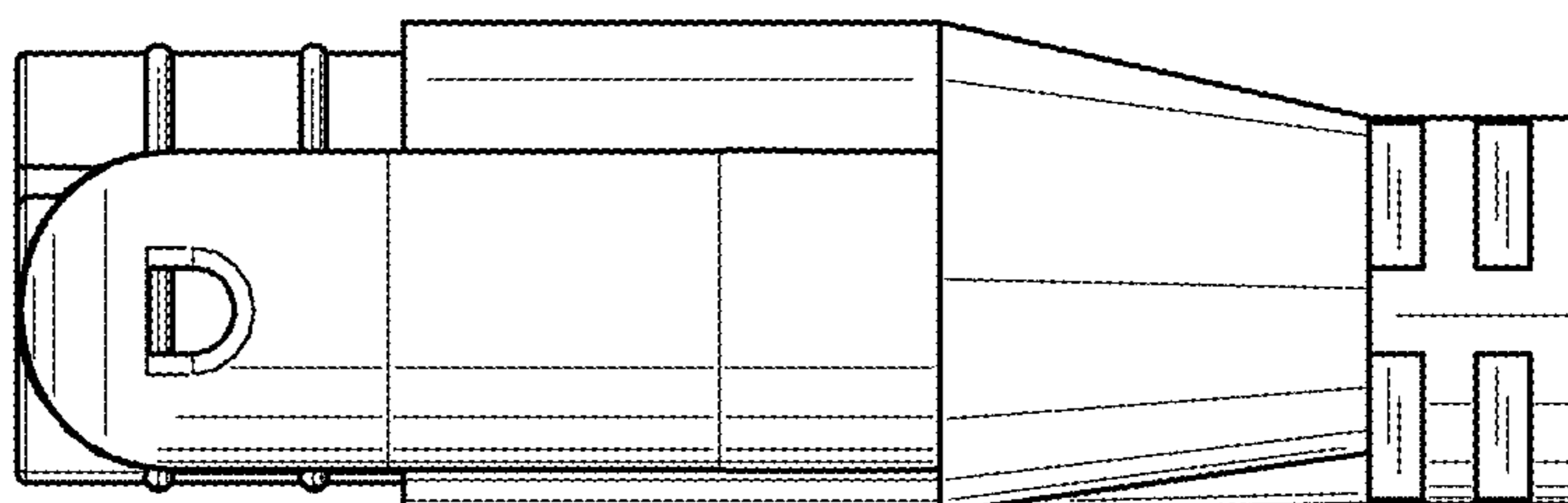


FIG. 2

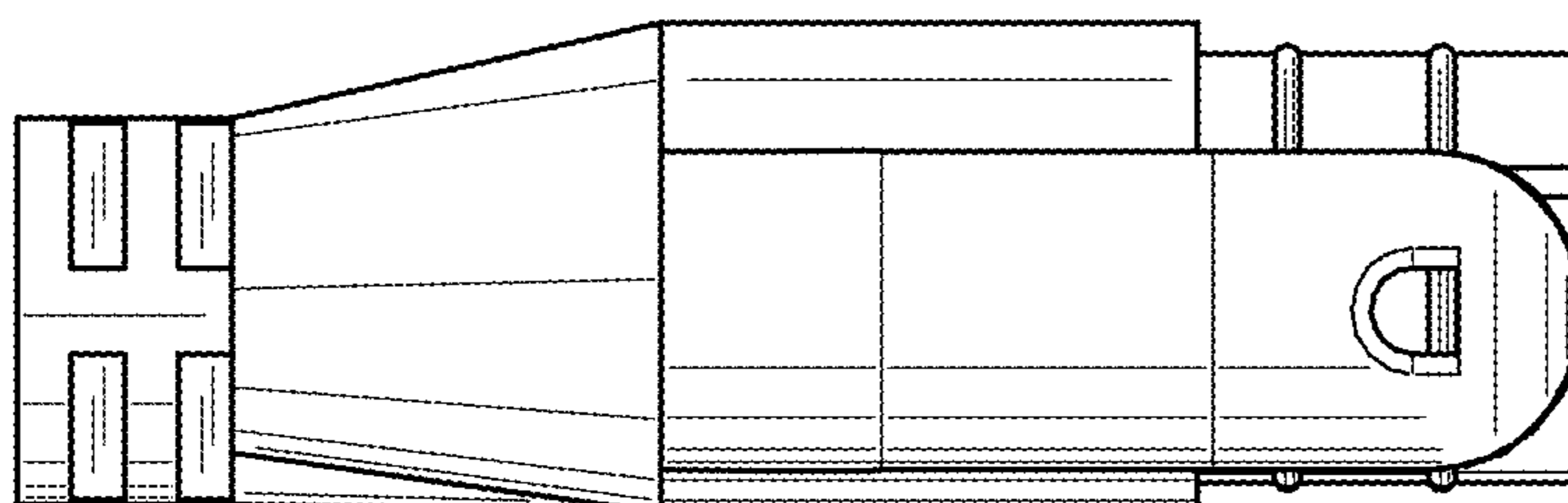


FIG. 3

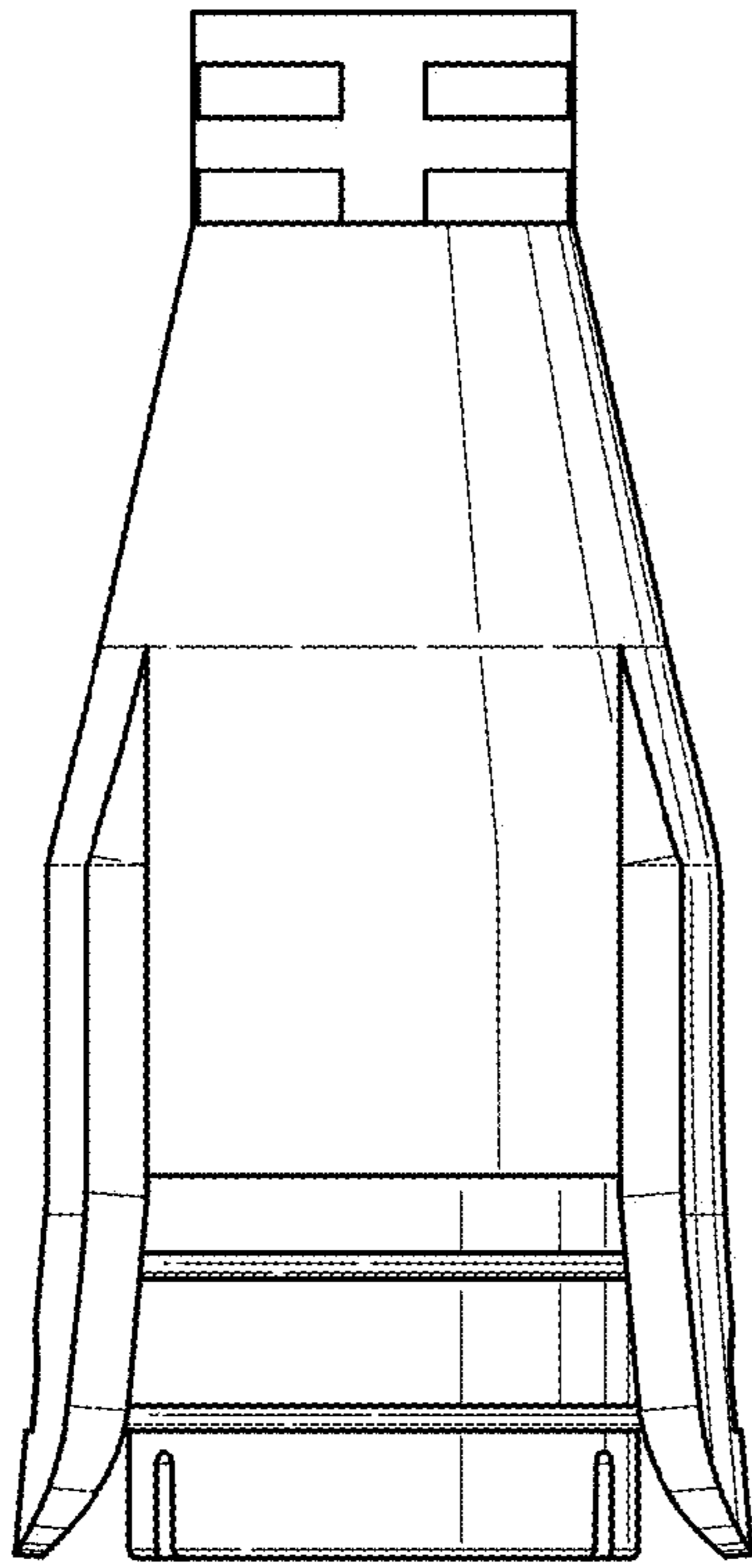


FIG. 4

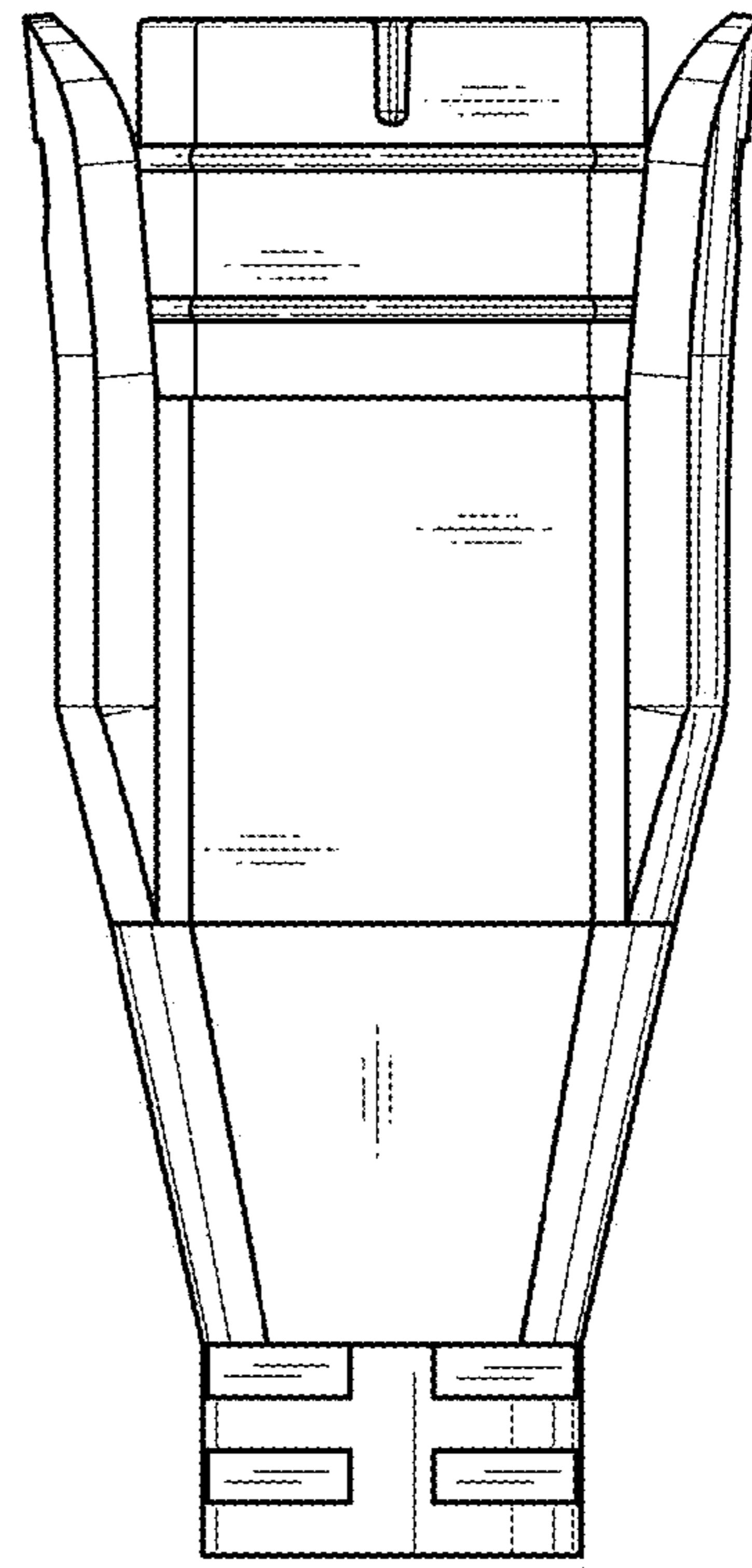


FIG. 5

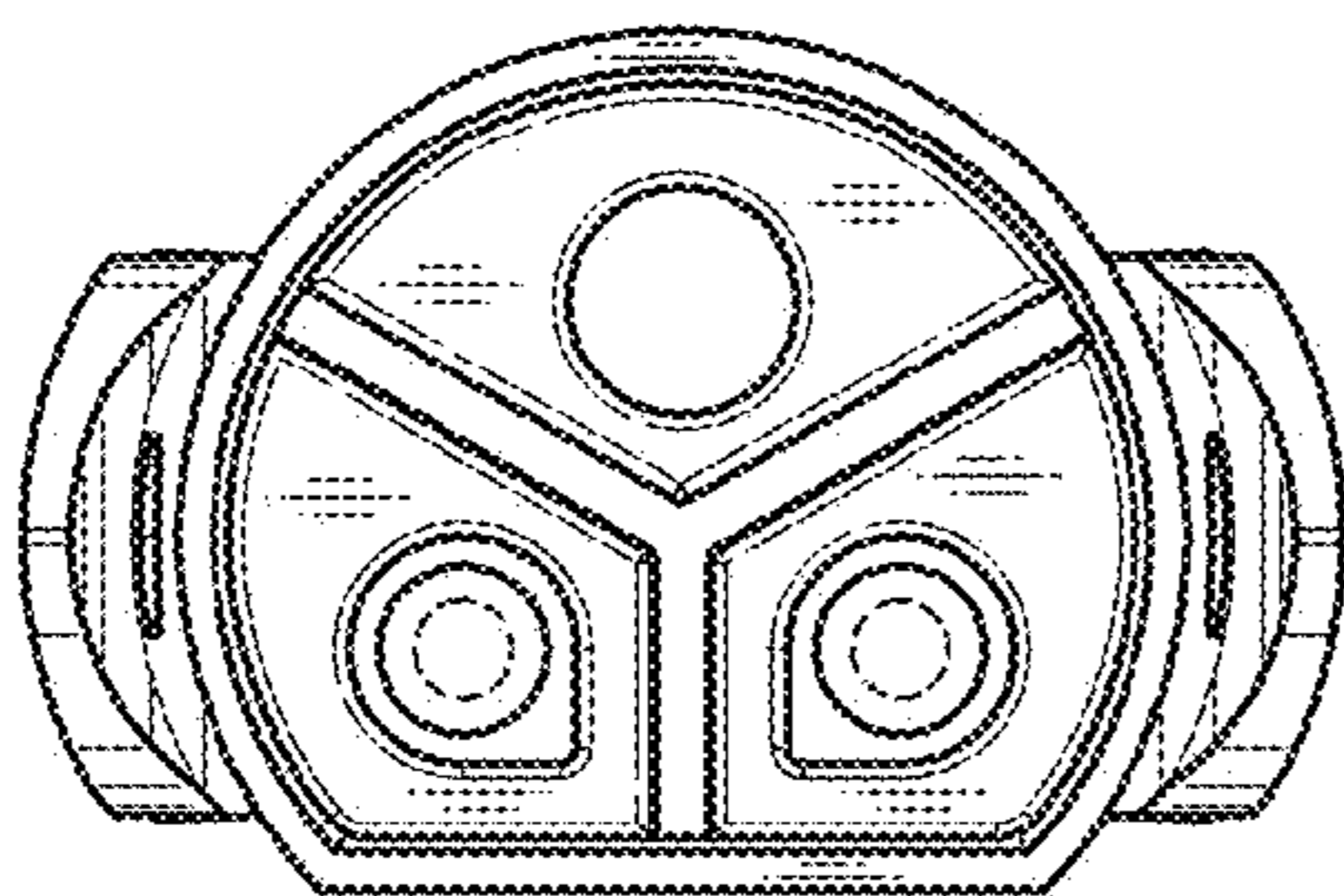


FIG. 6

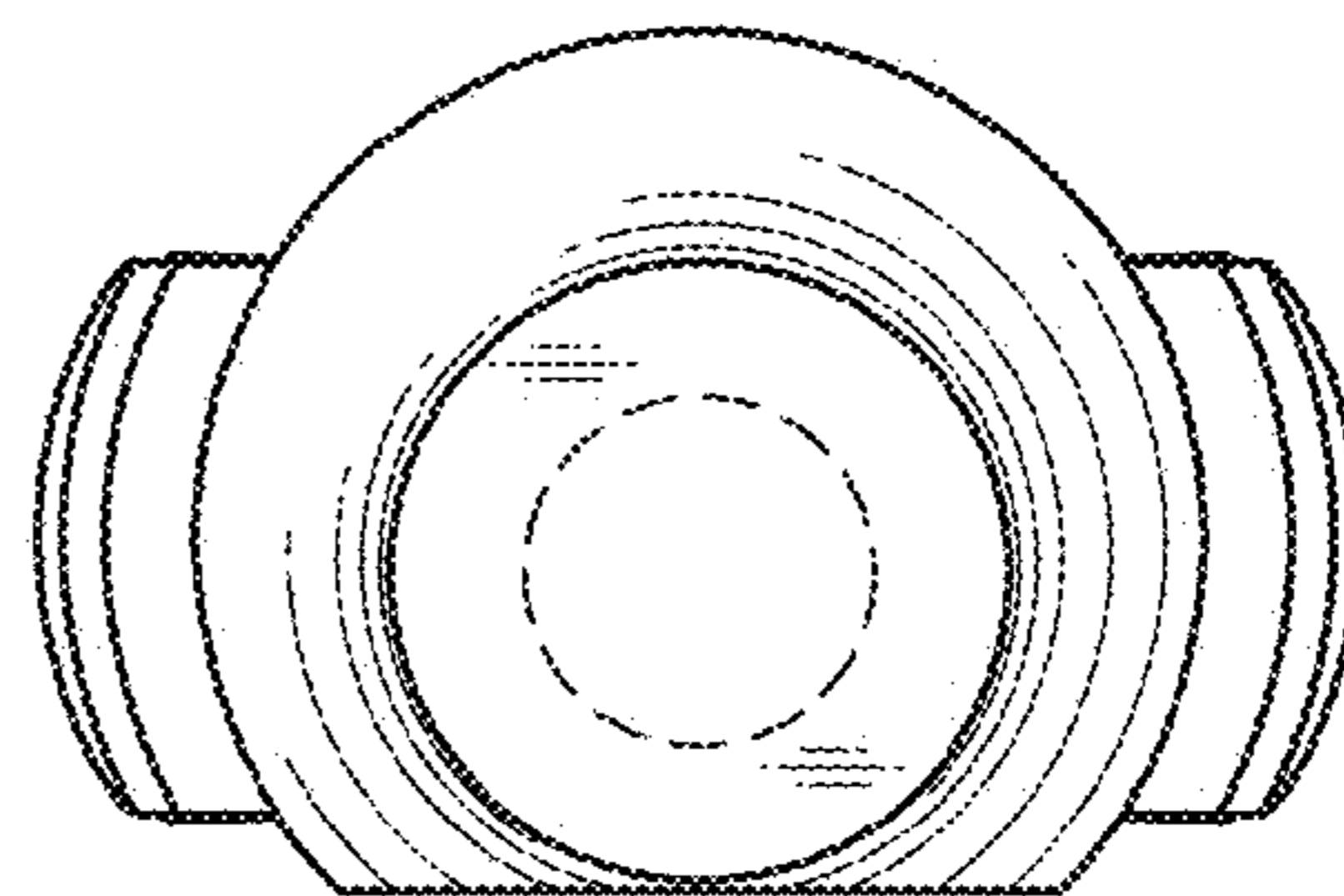


FIG. 7