

US00D748056S

(12) **United States Design Patent**
Takagi et al.

(10) **Patent No.:** **US D748,056 S**
(45) **Date of Patent:** **** Jan. 26, 2016**

(54) **ADAPTER PLATE**
(71) Applicant: **Hitachi Kokusai Electric Inc.**, Tokyo (JP)
(72) Inventors: **Kosuke Takagi**, Toyama (JP); **Takaaki Noda**, Toyama (JP)
(73) Assignee: **HITACHI KOKUSAI ELECTRIC INC.**, Tokyo (JP)
(**) Term: **14 Years**
(21) Appl. No.: **29/510,988**
(22) Filed: **Dec. 5, 2014**
(30) **Foreign Application Priority Data**
Jun. 6, 2014 (JP) 2014-012297

(51) **LOC (10) Cl.** **13-03**
(52) **U.S. Cl.**
USPC **D13/137.2**

(58) **Field of Classification Search**
USPC D13/133, 154, 156, 152, 139.1-139.8, D13/137.1-137.4, 110, 177, 182; 174/50, 174/17 R, 520, 53, 57, 58, 66, 67, 151, 174/138 F, 113 R; 439/536, 105, 502, 373, 439/108, 346; 220/3.2-3.94, 241, 242; 361/600, 601, 679.01, 728, 730, 752, 361/796
CPC H02G 3/08; H02G 3/081; H02G 3/086; H02G 3/10; H02G 3/14; H02B 1/056; H02B 1/0565; H02B 1/26; H02B 1/32; H01R 31/06; H01R 31/065; H01R 31/00; H01R 33/94
See application file for complete search history.

(56) **References Cited**
U.S. PATENT DOCUMENTS
2,570,559 A * 10/1951 Juergenson B60B 3/14 301/35.629
3,009,167 A * 11/1961 Leonard, Jr. E03C 1/01 285/64

4,454,565 A * 6/1984 Krasij H02B 1/044 200/295
4,687,165 A * 8/1987 Blackburn B23Q 1/25 248/178.1
5,438,483 A * 8/1995 Fasano H02B 1/048 174/66
5,643,024 A * 7/1997 Roberson, Jr. B63H 20/32 440/76
6,205,994 B1 * 3/2001 Freund B28D 5/0011 125/23.01
D492,253 S * 6/2004 Lee D13/137.2
D529,000 S * 9/2006 Ishii D13/182
D585,834 S * 2/2009 Mason D13/154
D616,823 S * 6/2010 Shi D13/137.2
D623,595 S * 9/2010 Ruffner D13/110
D671,901 S * 12/2012 Angelov D13/182
D676,387 S * 2/2013 Kennedy D13/137.2
8,455,759 B2 * 6/2013 Mortun H01R 13/447 174/50
D719,091 S * 12/2014 Leddusire D13/110

* cited by examiner

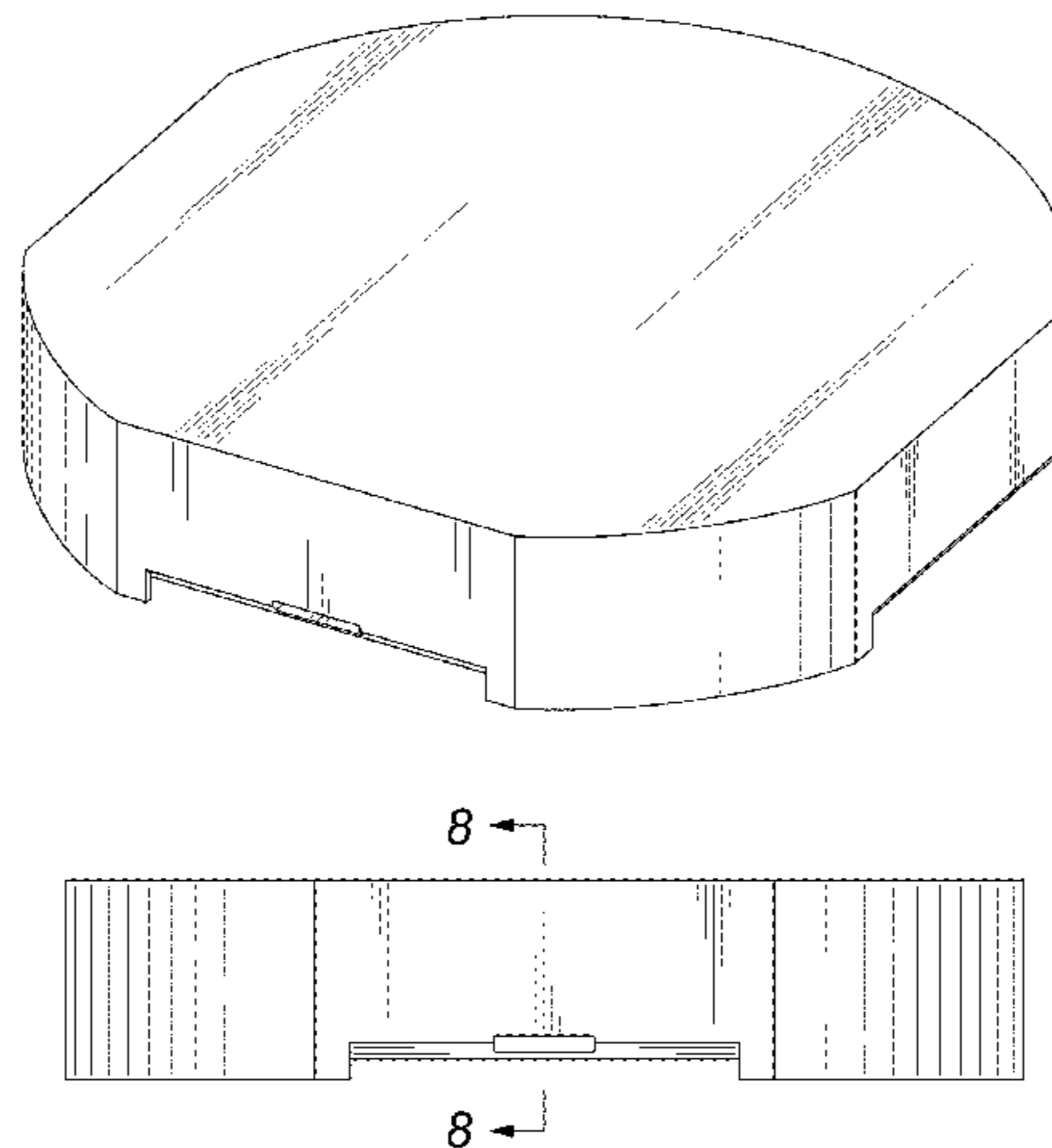
Primary Examiner — Elizabeth J Oswecki
(74) *Attorney, Agent, or Firm* — Fitch, Even, Tabin and Flannery LLP

(57) **CLAIM**
We claim the ornamental design for an adapter plate, as shown and described.

DESCRIPTION

FIG. 1 is a front, top and right side perspective view of an adapter plate showing our new design;
FIG. 2 is a front elevational view thereof;
FIG. 3 is a rear elevational view thereof;
FIG. 4 is a top plan view thereof;
FIG. 5 is a bottom plan view thereof; and
FIG. 6 is a left side elevational view thereof;
FIG. 7 is a right side elevational view thereof; and,
FIG. 8 is a cross-sectional view taken along lines 8-8 in FIG. 2.

1 Claim, 4 Drawing Sheets



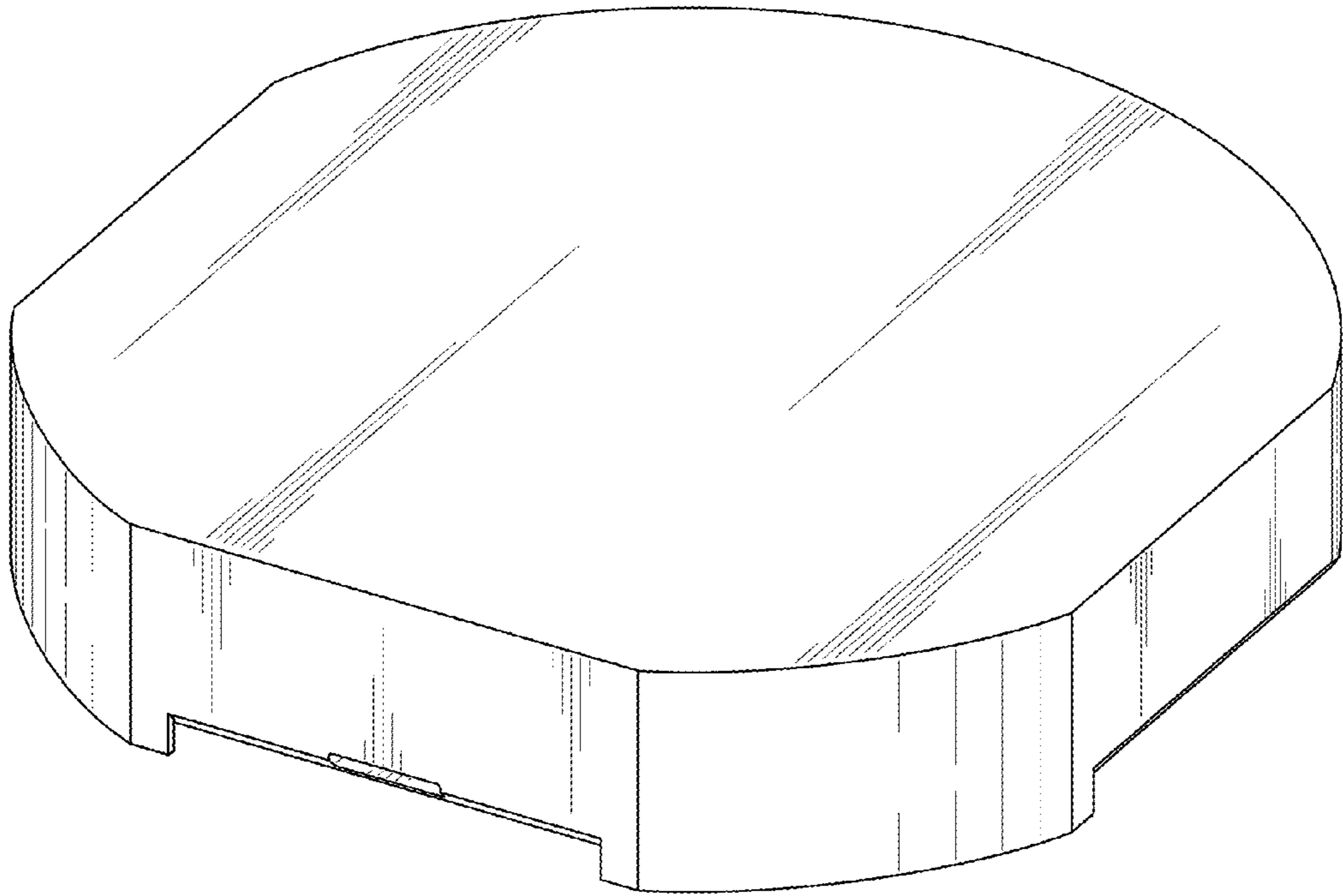
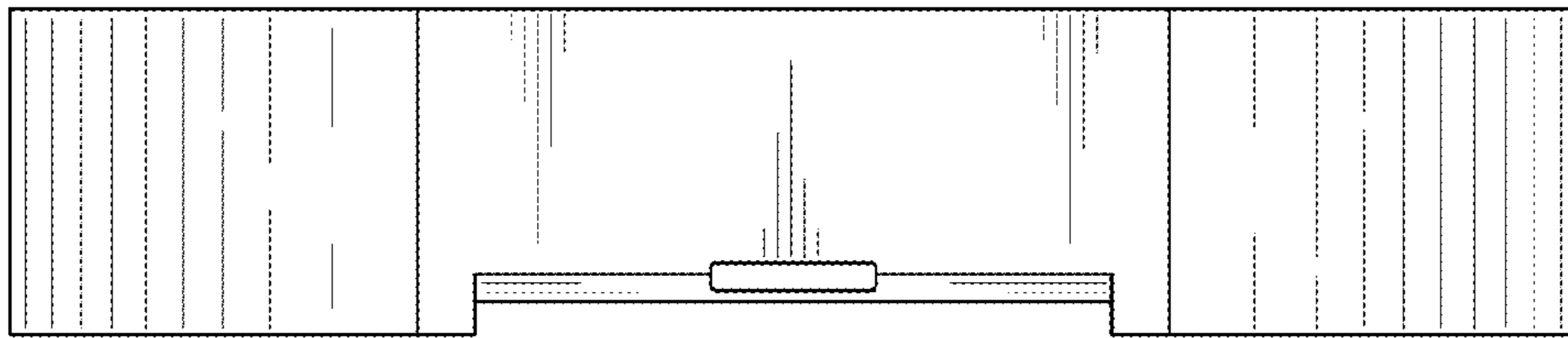


FIG. 1

8 ←



8 ←

FIG. 2

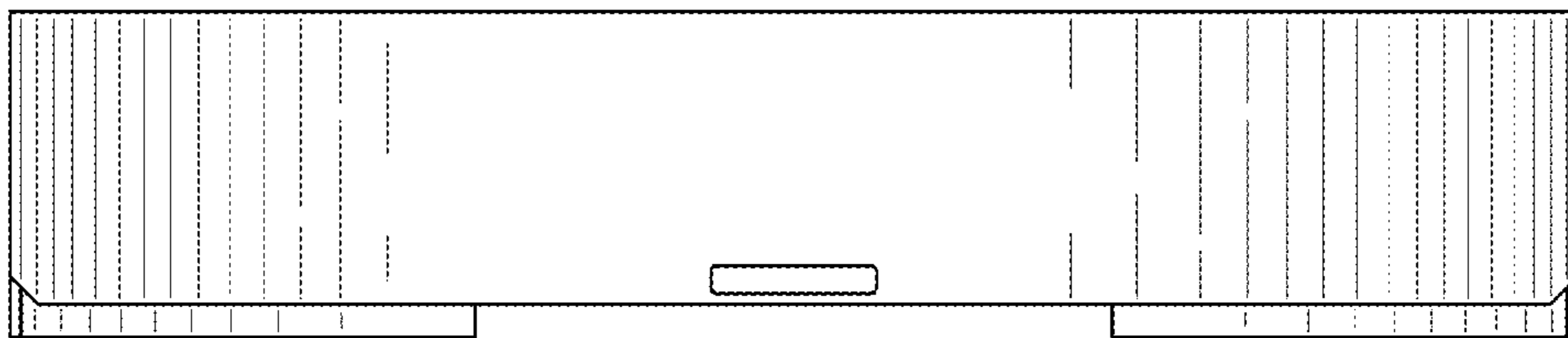


FIG. 3

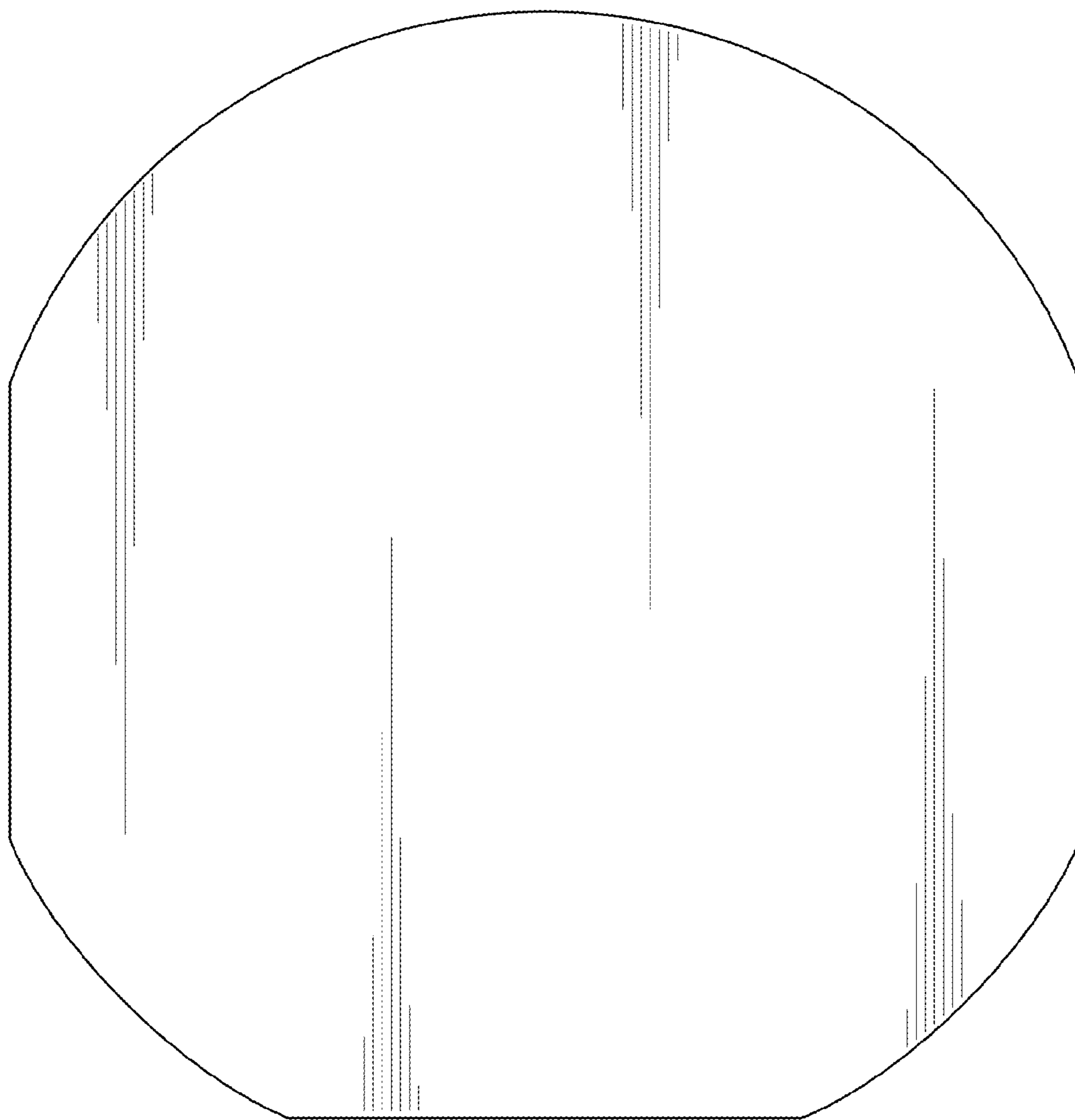


FIG. 4

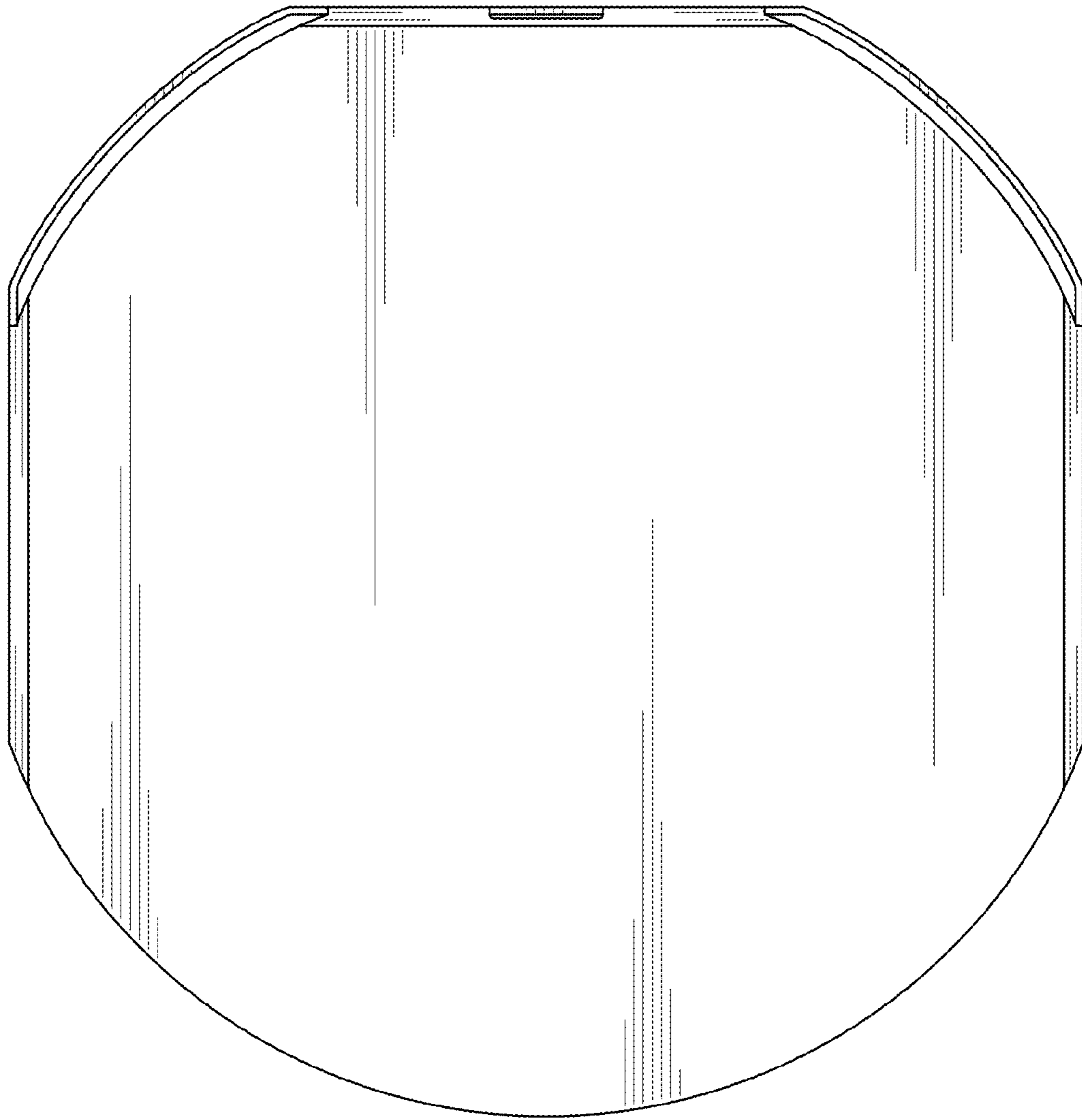


FIG. 5

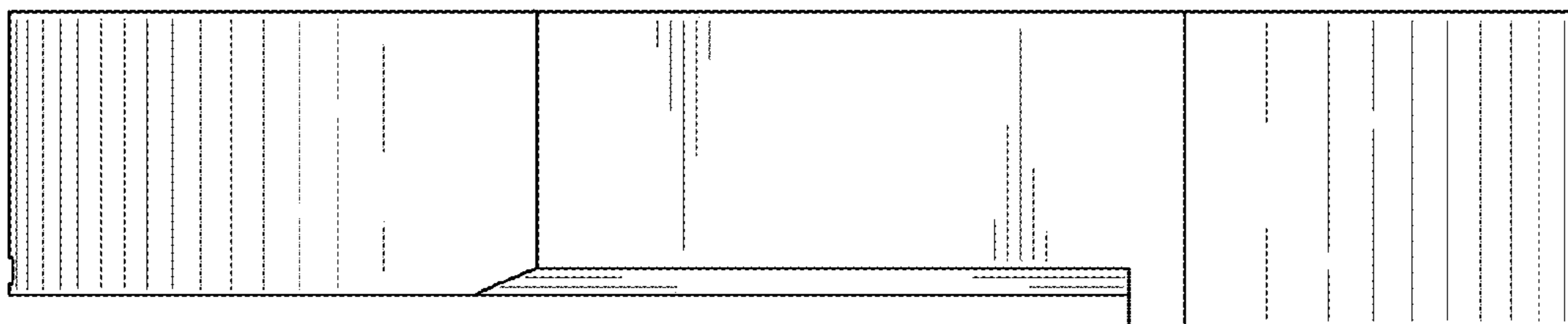


FIG. 6

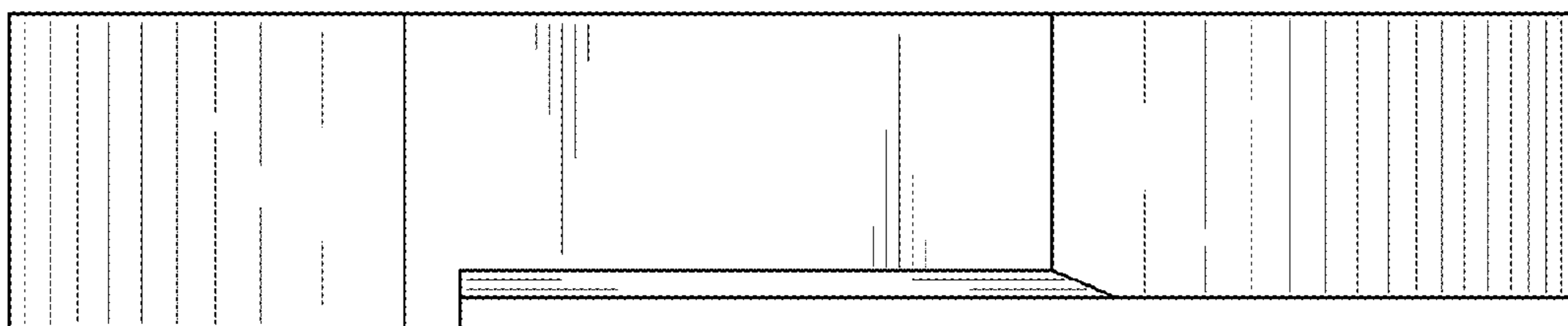


FIG. 7

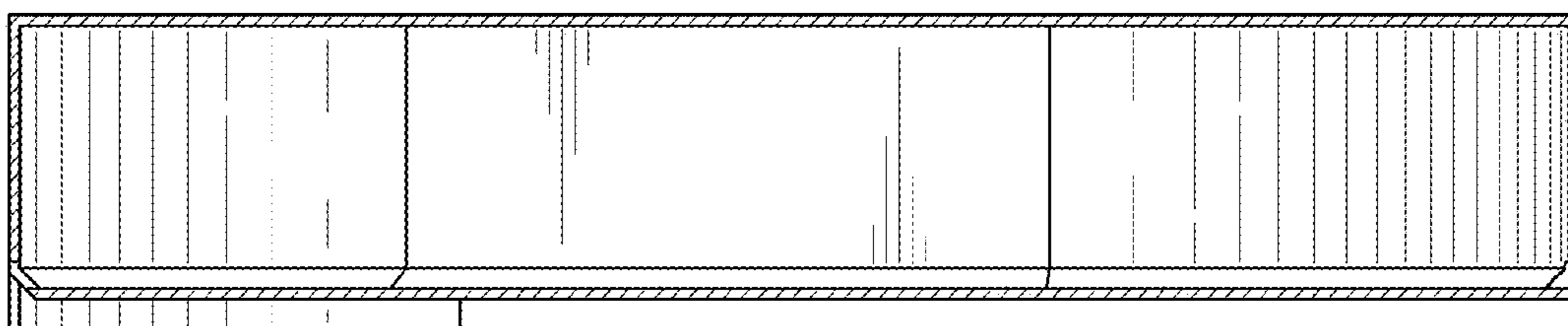


FIG. 8