



US00D748054S

(12) **United States Design Patent**  
**Aihara et al.**

(10) **Patent No.:** **US D748,054 S**  
(45) **Date of Patent:** **\*\* Jan. 26, 2016**

(54) **WIND TURBINE BLADE**

(71) Applicants: **Kunihiko Aihara**, Tokyo (JP); **Junko Aihara**, Tokyo (JP)

(72) Inventors: **Kunihiko Aihara**, Tokyo (JP); **Junko Aihara**, Tokyo (JP)

(73) Assignee: **TNP CO., LTD.**, Tokyo (JP)

(\*\*) Term: **14 Years**

(21) Appl. No.: **29/445,983**

(22) Filed: **Feb. 19, 2013**

(51) **LOC (10) Cl.** ..... **13-01**

(52) **U.S. Cl.**  
USPC ..... **D13/115**

(58) **Field of Classification Search**  
USPC ..... D12/214, 344, 345; D13/101, 112, 114, D13/115, 118, 122, 184, 199; D15/1, 199; D23/411, 412, 413, 414; 29/889.6, 29/889.7; 290/44, 49, 52, 54, 55; 415/4.2, 415/4.4, 56.3, 916; 416/111, 117, 119, 416/132 B, 132 R, 141, 142, 176, 177, 416/196 A, 197 A, 197 R, 211, 227 A, 227 R, 416/24, 242, 31, 37, 38  
See application file for complete search history.

(56) **References Cited**

**U.S. PATENT DOCUMENTS**

5,225,246 A \* 7/1993 Beers et al. .... 427/252  
5,277,550 A \* 1/1994 Kato et al. .... 416/227 R  
6,158,959 A \* 12/2000 Arbus ..... 415/204  
6,247,897 B1 \* 6/2001 Patel ..... 416/197 R  
D457,850 S \* 5/2002 Rietsch ..... D12/214  
D459,285 S \* 6/2002 Rietsch ..... D12/214  
D511,495 S \* 11/2005 Okubo et al. .... D13/115  
7,204,676 B2 \* 4/2007 Dutton et al. .... 416/238  
7,344,353 B2 \* 3/2008 Naskali et al. .... 415/4.2  
D587,146 S \* 2/2009 Zhang ..... D10/59  
D587,195 S \* 2/2009 van Wijck ..... D13/115  
D590,340 S \* 4/2009 Sayama et al. .... D13/115

D594,818 S \* 6/2009 Doucet ..... D13/115  
D597,028 S \* 7/2009 Sauer ..... D13/115  
D598,376 S \* 8/2009 Cheung et al. .... D13/115  
D600,641 S \* 9/2009 Starck ..... D13/115  
D638,358 S \* 5/2011 Sauer, Jr. .... D13/115  
8,087,897 B2 \* 1/2012 Joutsiniemi ..... 416/144  
D654,433 S \* 2/2012 Huang et al. .... D13/115  
8,172,508 B2 \* 5/2012 Mohamed et al. .... 415/115  
D671,070 S \* 11/2012 Joutsiniemi ..... D13/115  
D678,837 S \* 3/2013 Ruiz de Gordejuela Diaz de Tuesta et al. .... D13/115  
8,550,786 B2 \* 10/2013 Janiuk ..... 416/226  
D712,757 S \* 9/2014 Barani ..... D10/59  
2005/0278950 A1 \* 12/2005 Despreaux et al. .... 29/889.71  
2006/0257240 A1 \* 11/2006 Naskali et al. .... 415/4.4  
2008/0145224 A1 \* 6/2008 Mitchell et al. .... 416/132 B  
2009/0116968 A1 \* 5/2009 Mohle ..... 416/241 R

(Continued)

*Primary Examiner* — Derrick Holland  
*Assistant Examiner* — Jennifer O King

(74) *Attorney, Agent, or Firm* — Greer Burns & Crain Ltd.

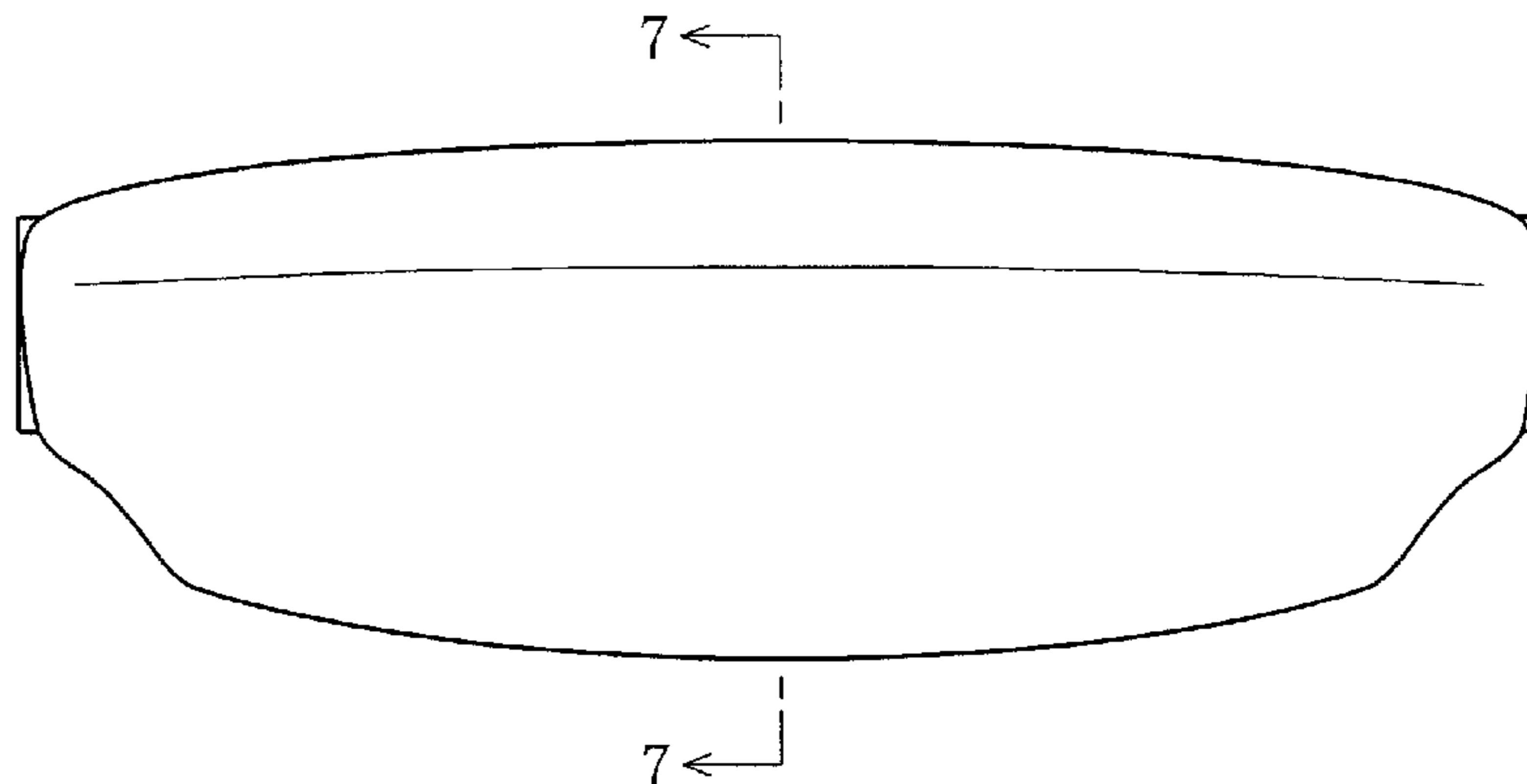
(57) **CLAIM**

The ornamental design for a wind turbine blade, as shown and described.

**DESCRIPTION**

FIG. 1 is a front view of a wind turbine blade showing our new design;  
FIG. 2 is a top plan view thereof;  
FIG. 3 is a left side view thereof; the right side view being a mirror image of the left side view;  
FIG. 4 is a back view thereof;  
FIG. 5 is a bottom plan view thereof;  
FIG. 6 is perspective view thereof;  
FIG. 7 is a sectional view thereof taken along the line 7-7 in FIG. 1;  
FIG. 8 is a sectional view thereof, taken along the line 8-8 in FIG. 5; and,  
FIG. 9 is a sectional view thereof, taken along the line 9-9 in FIG. 5.

**1 Claim, 9 Drawing Sheets**



# US D748,054 S

Page 2

---

(56)

## References Cited

U.S. PATENT DOCUMENTS

2011/0200437 A1\* 8/2011 McGuire ..... 416/176  
2014/0234120 A1\* 8/2014 Aihara et al. .... 416/243

2009/0208342 A1\* 8/2009 Mons ..... 416/241 R \* cited by examiner

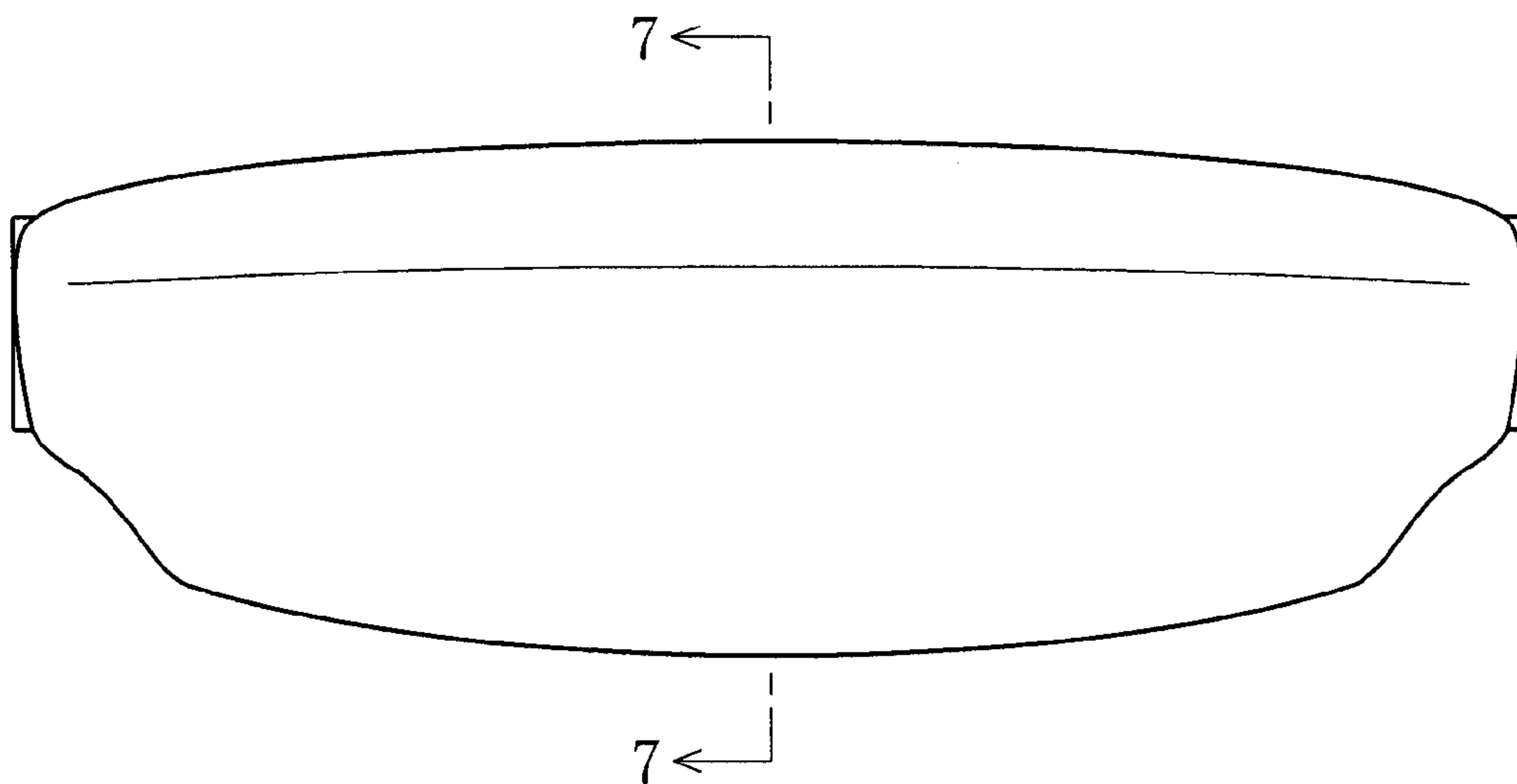


FIG. 1

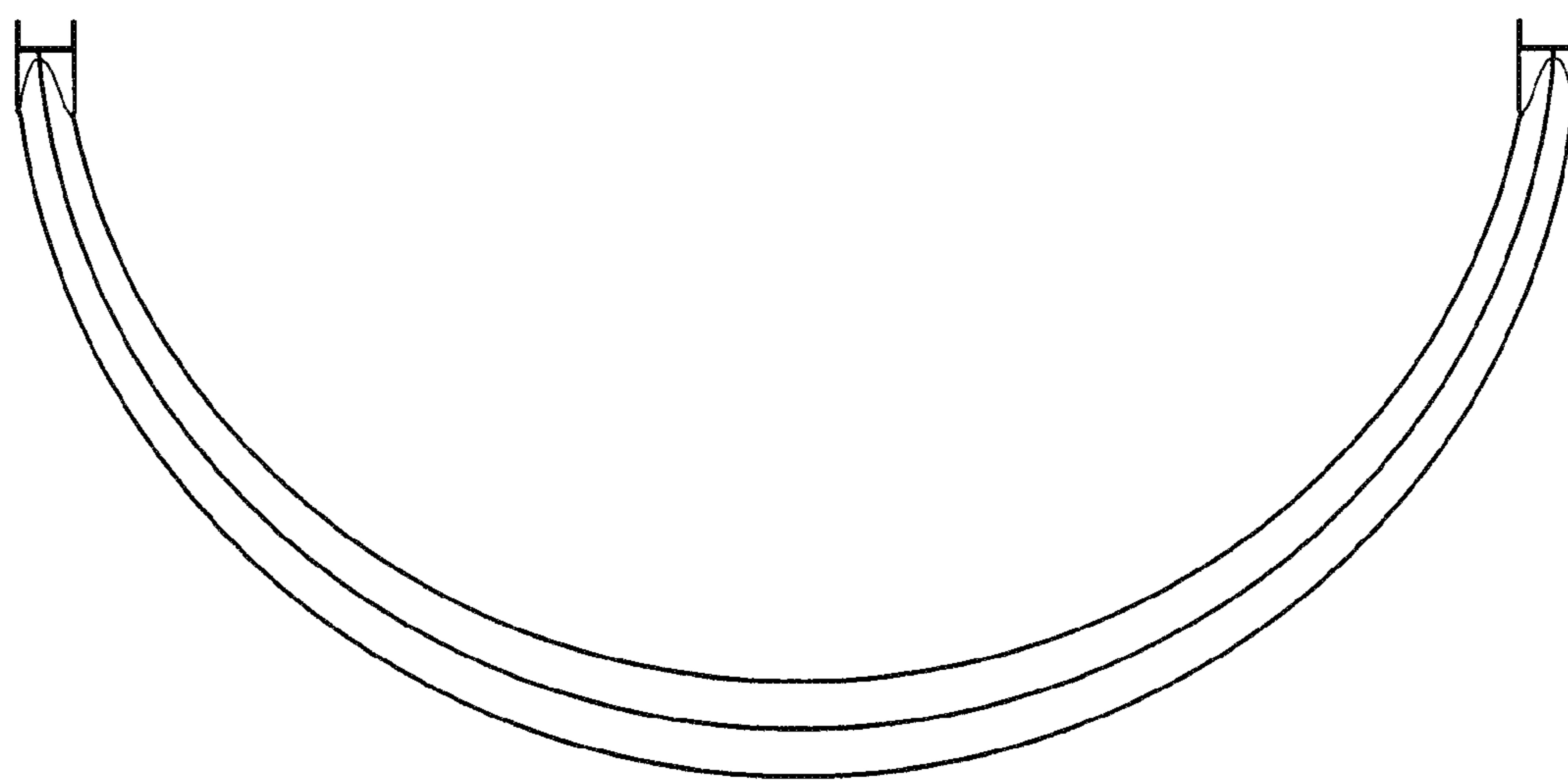


FIG. 2

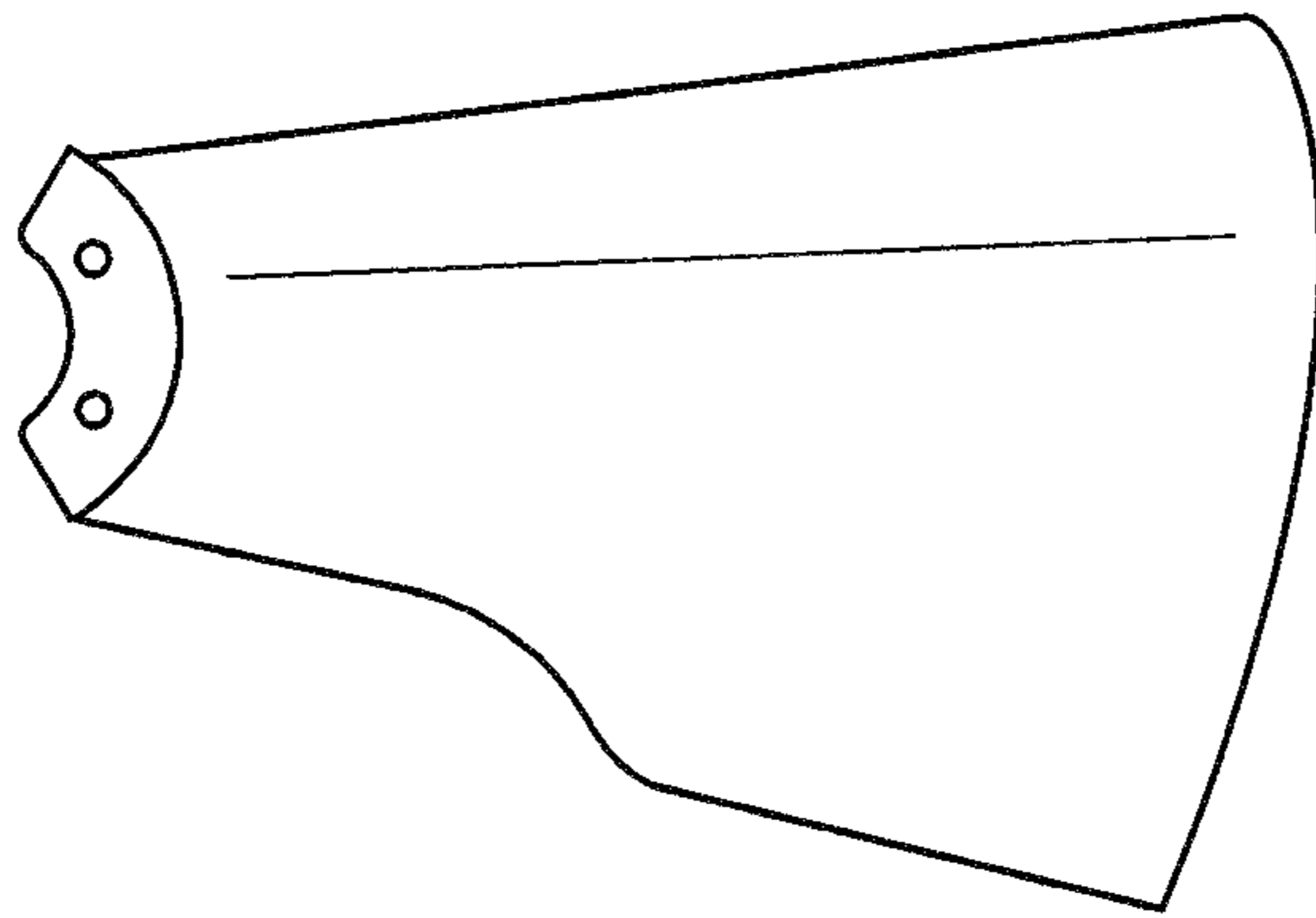


FIG. 3

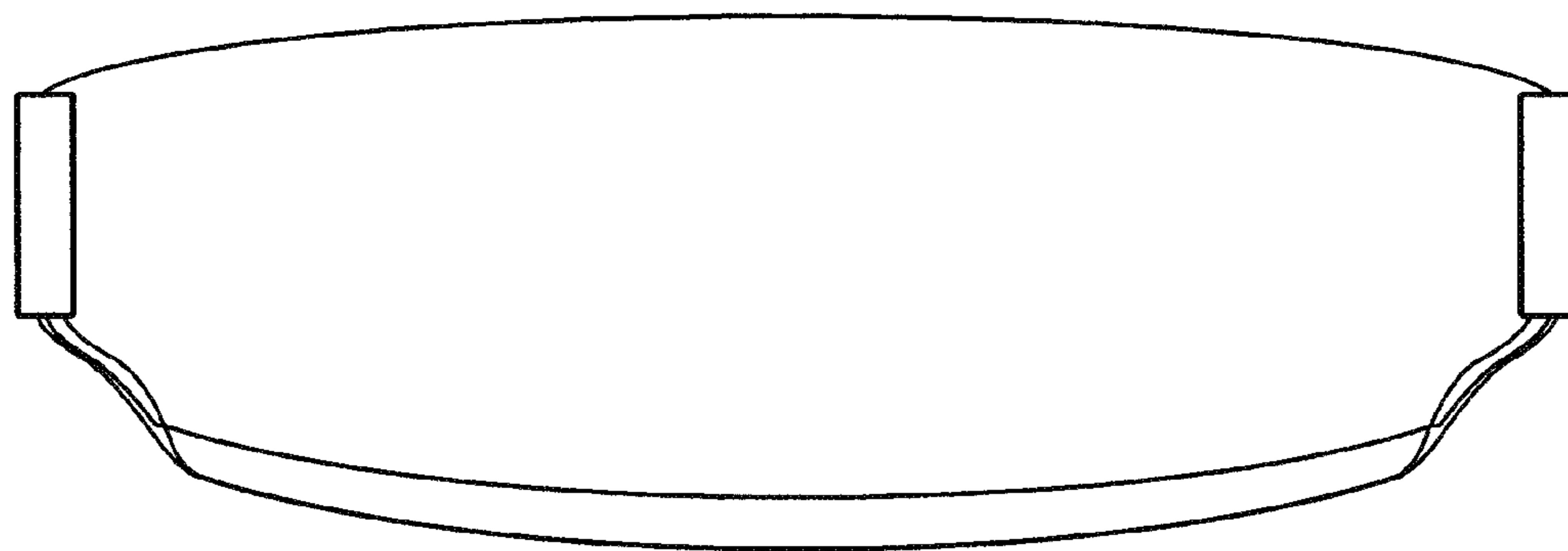


FIG. 4

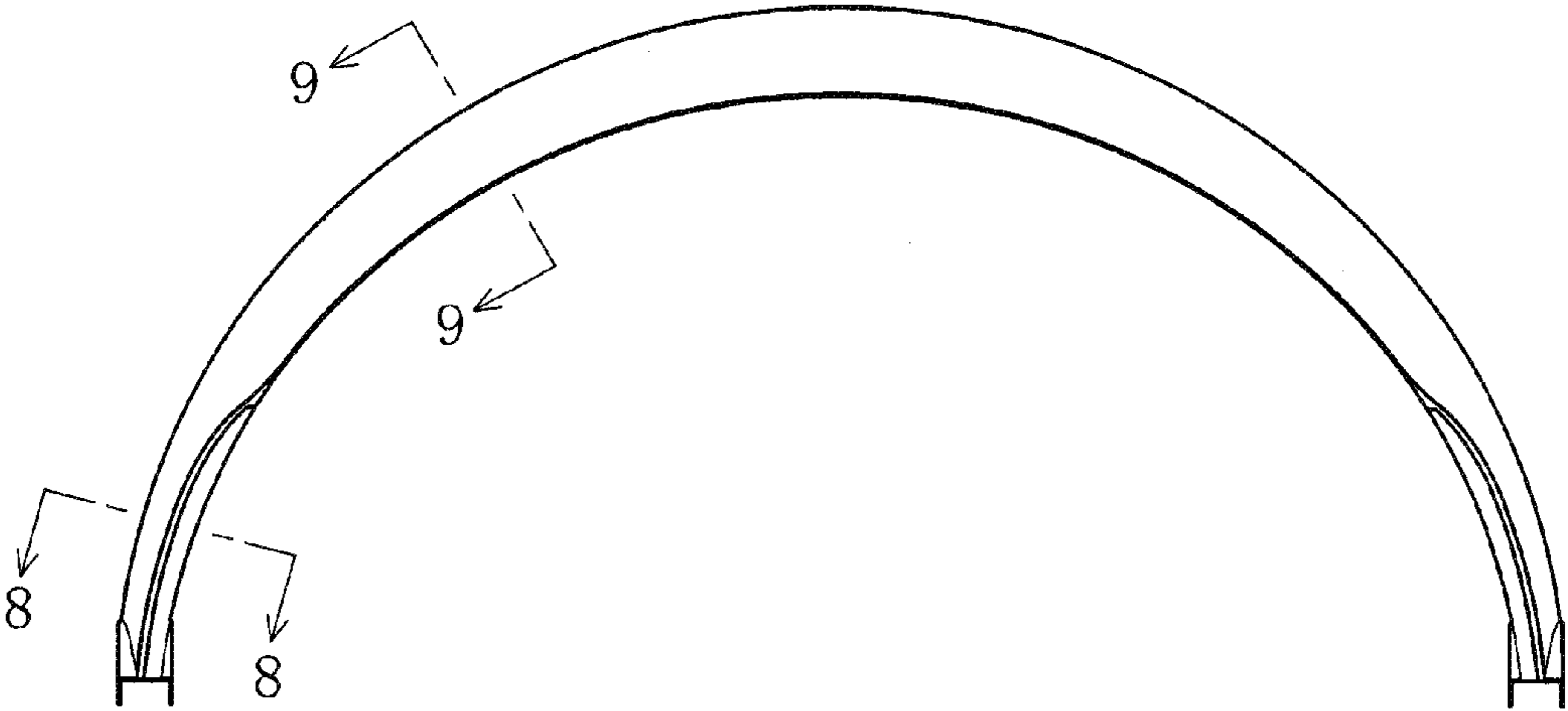


FIG. 5

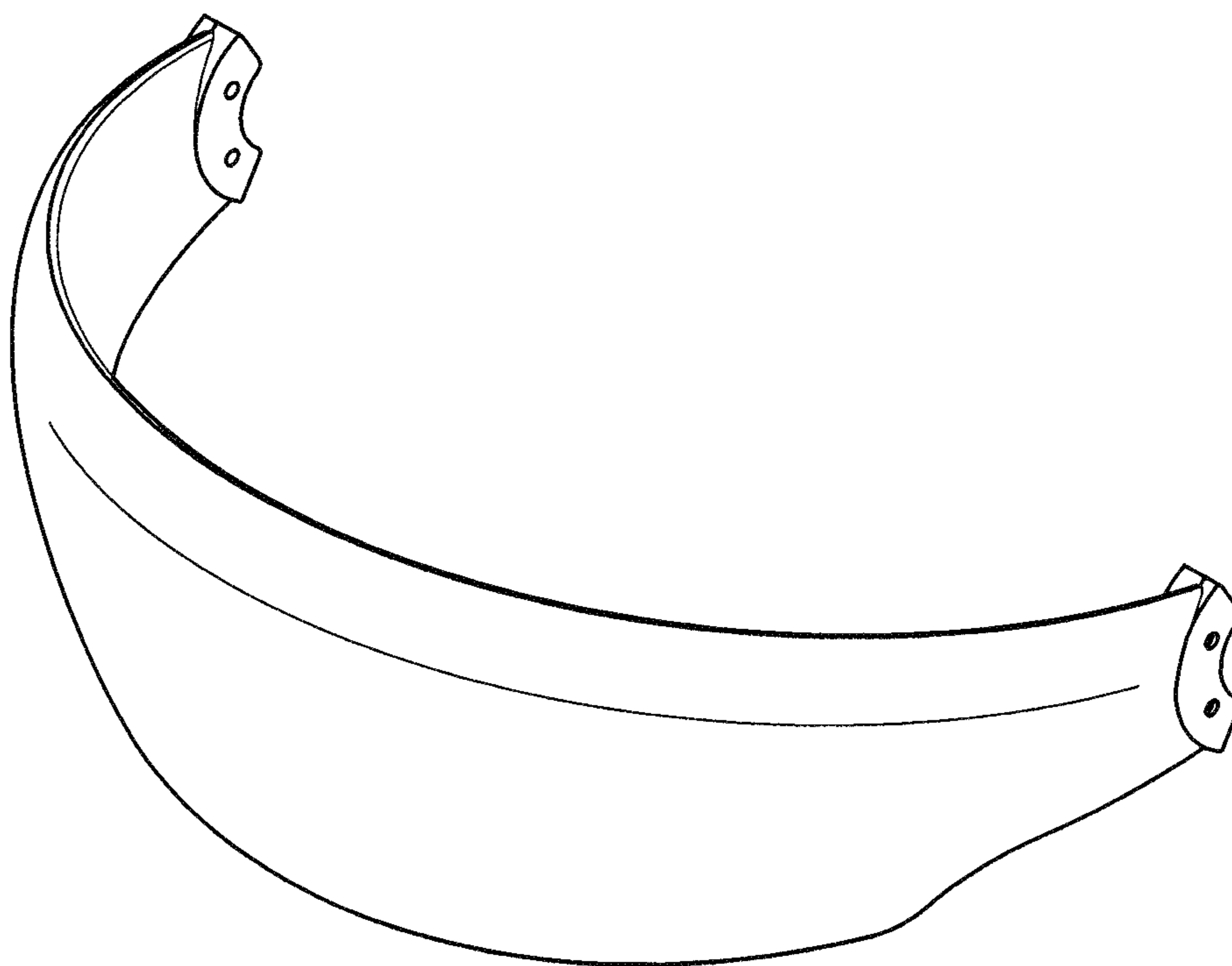


FIG. 6



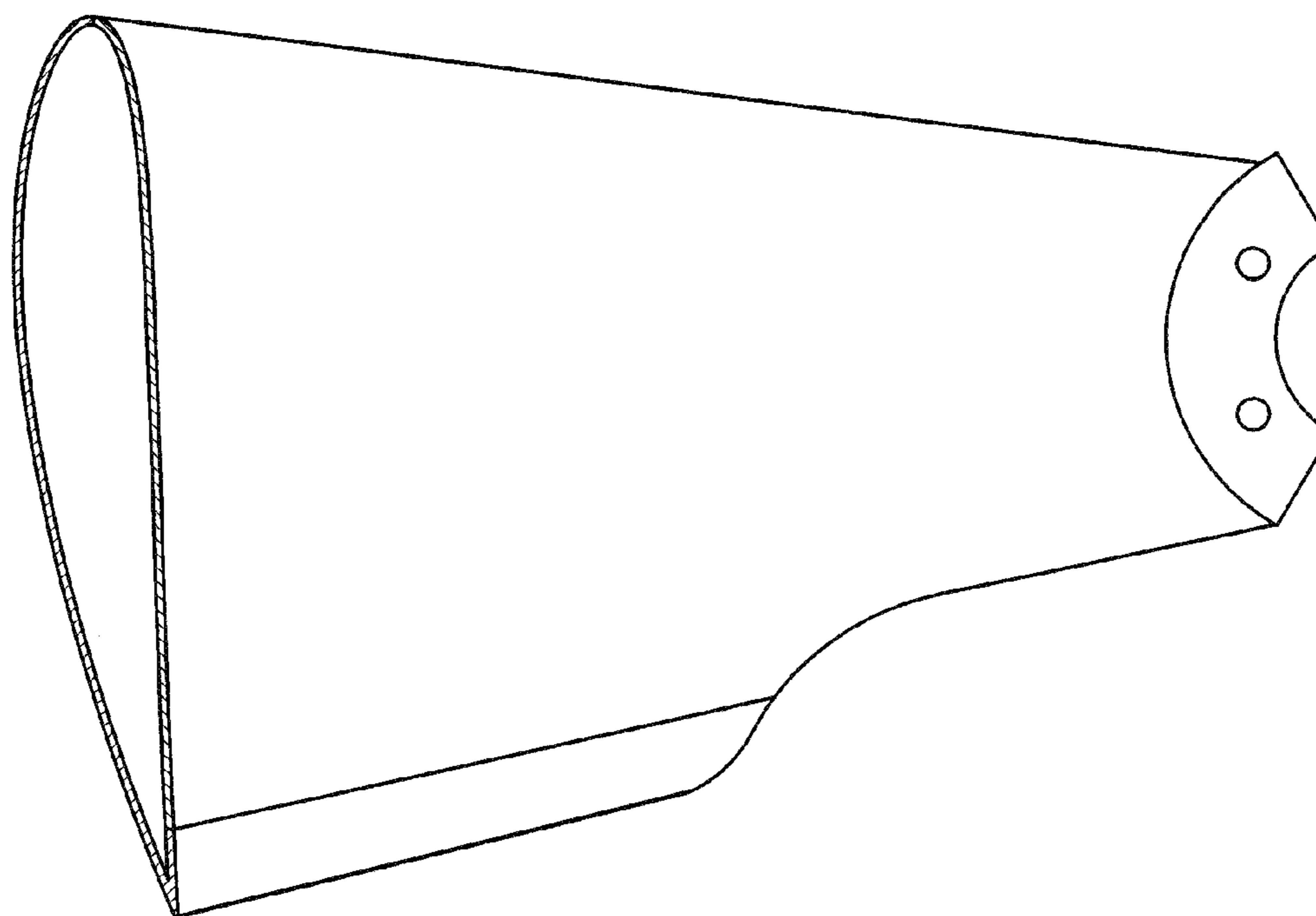


FIG. 7

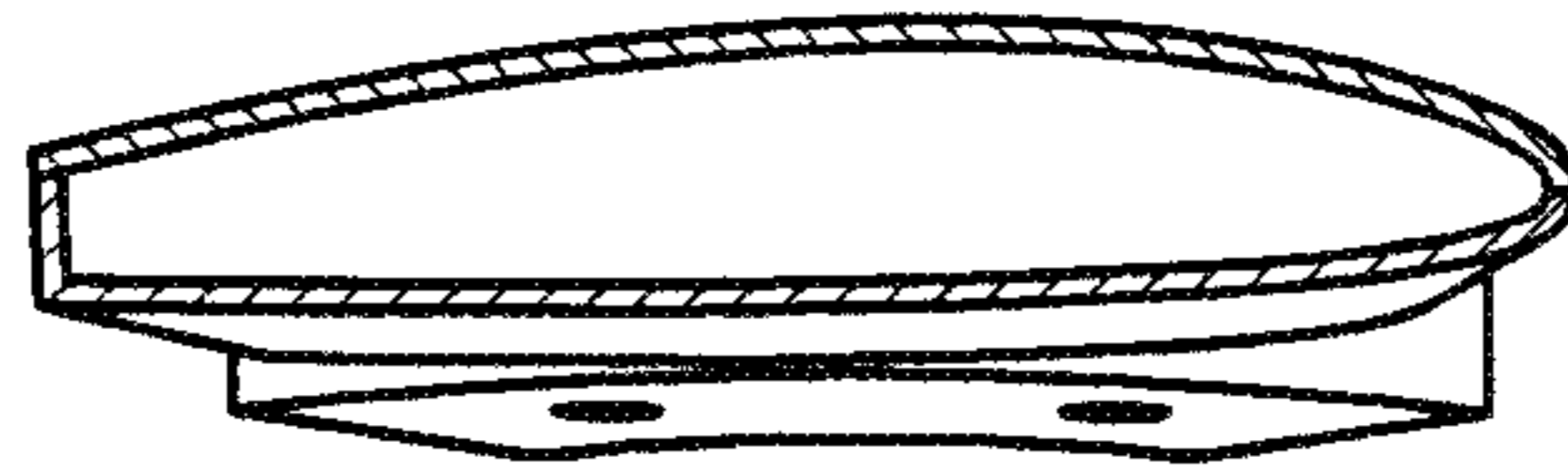


FIG. 8

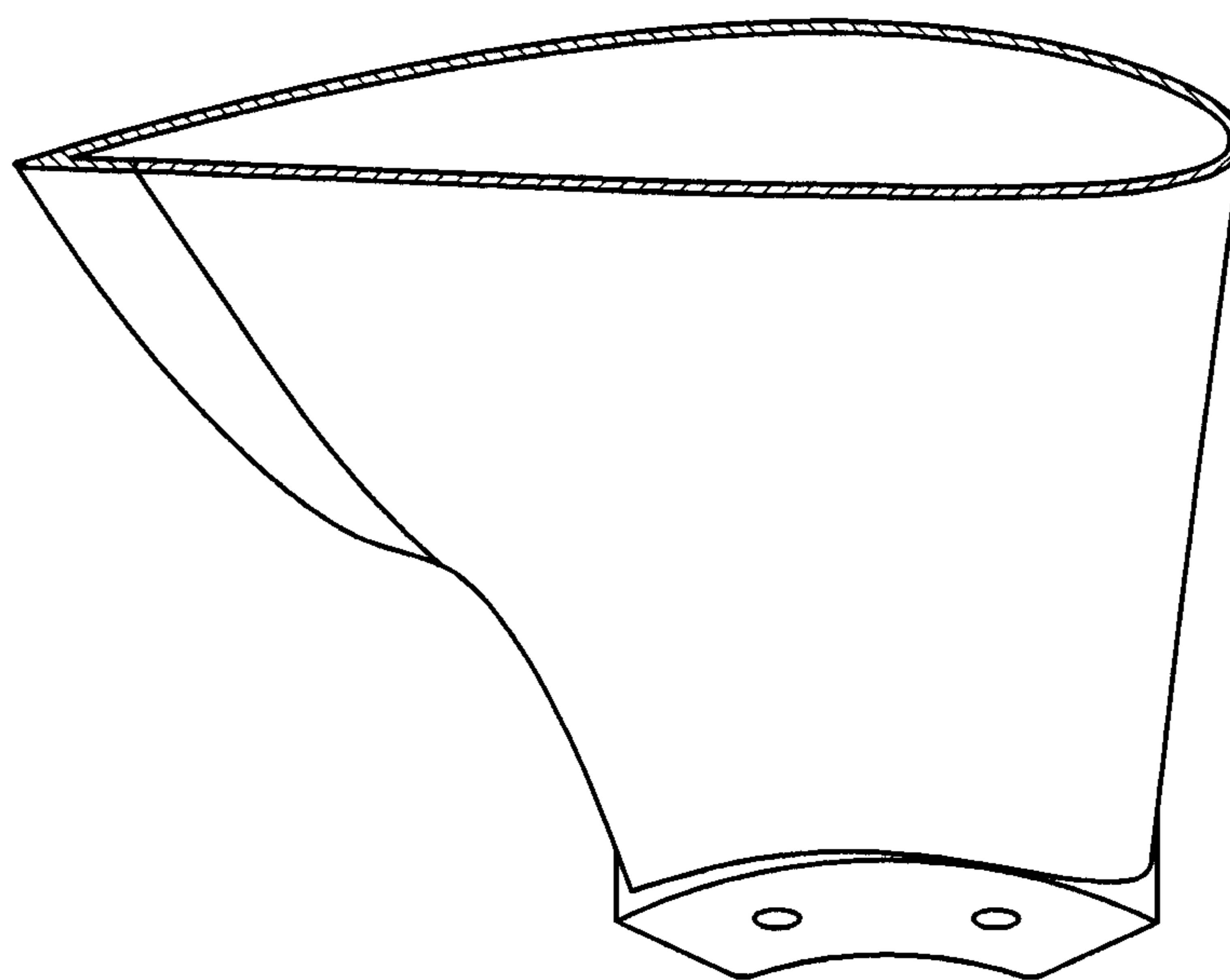


FIG. 9