



US00D748053S

(12) **United States Design Patent**
Herrlich et al.

(10) **Patent No.:** **US D748,053 S**
(45) **Date of Patent:** **** Jan. 26, 2016**

(54) **ROTATING ELECTRICAL MACHINERY
MODULAR AIR GAP CRAWLER**

(71) Applicant: **ABB Technology AG**, Zurich (CH)

(72) Inventors: **Hermann Herrlich**, Lindenhurst, NY (US); **Robert Kodadek**, Long Beach, NY (US); **Gregory Penza**, Old Field, NY (US); **William J. Eakins**, Bloomfield, CT (US); **Gregory Rossano**, Enfield, CT (US); **George Q. Zhang**, Windsor, CT (US); **Thomas A. Fuhlbrigge**, Ellington, CT (US); **Hetal V. Lakhani**, Rajkot (IN); **Cajetan Pinto**, Mumbai (IN); **Sangeun Choi**, Simsbury, CT (US)

(73) Assignee: **ABB Technology AG**, Zurich (CH)

(**) Term: **14 Years**

(21) Appl. No.: **29/481,165**

(22) Filed: **Feb. 3, 2014**

(51) **LOC (10) Cl.** **13-01**

(52) **U.S. Cl.**
USPC **D13/112**

(58) **Field of Classification Search**
USPC D13/101, 110, 112, 199; D21/539, 548, D21/549, 550, 551, 552, 562, 580, 581; 446/431, 433, 447, 456, 465; 455/344; 33/503, 556; 180/9.1-9.6, 14.1-14.5
See application file for complete search history.

(56) **References Cited**

U.S. PATENT DOCUMENTS

4,194,584 A * 3/1980 Kress et al. 180/9.23
D295,994 S * 5/1988 Matsumoto D21/582

7,464,429	B2 *	12/2008	Stoltz	15/1.7
7,637,831	B2 *	12/2009	Araki	475/28
7,654,347	B2 *	2/2010	Franceschi et al.	180/9.32
7,866,421	B2 *	1/2011	Moore et al.	180/9.21
7,891,447	B2 *	2/2011	Carlson et al.	180/9.44
8,007,221	B1 *	8/2011	More et al.	414/680
8,216,020	B2 *	7/2012	Zimet	446/433
8,378,691	B2 *	2/2013	Moser et al.	324/545
D691,677	S *	10/2013	Bleyer et al.	D21/548
8,574,021	B2 *	11/2013	Mayer et al.	446/433
8,644,991	B2 *	2/2014	Ohm et al.	700/250
2002/0104693	A1 *	8/2002	Moore et al.	180/9.1
2004/0173116	A1 *	9/2004	Ghorbel et al.	104/138.2
2007/0194540	A1 *	8/2007	Caspi et al.	280/5.22
2008/0188982	A1 *	8/2008	Imus et al.	700/245
2011/0036649	A1 *	2/2011	Cho et al.	180/9.5
2013/0078888	A1 *	3/2013	Mayer et al.	446/433
2014/0076642	A1 *	3/2014	Gettings et al.	180/9.1
2014/0360811	A1 *	12/2014	Ross et al.	182/63.1

* cited by examiner

Primary Examiner — Derrick Holland

Assistant Examiner — Jennifer O King

(74) *Attorney, Agent, or Firm* — Michael M. Rickin

(57) **CLAIM**

We claim the ornamental design for a rotating electrical machinery modular air gap crawler, as shown and described.

DESCRIPTION

FIG. 1 is a front, left side and top perspective view of a rotating electrical machinery modular air gap crawler showing our new design;

FIG. 2 is a front elevational view thereof;

FIG. 3 is a back elevational view thereof;

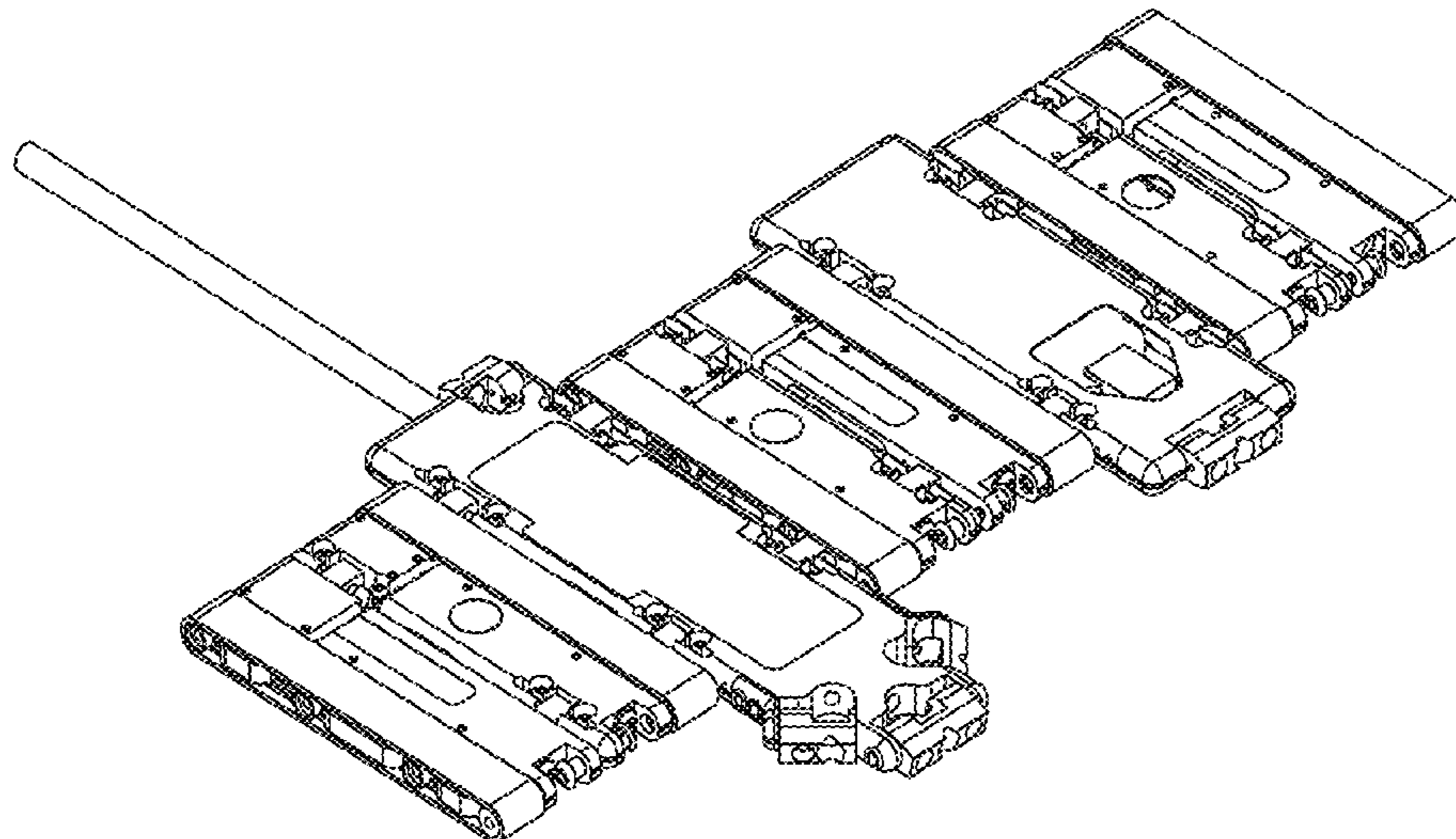
FIG. 4 is a left side elevational view thereof;

FIG. 5 is a right side elevational view thereof;

FIG. 6 is a top plan view thereof; and,

FIG. 7 is a bottom plan view of thereof.

1 Claim, 7 Drawing Sheets



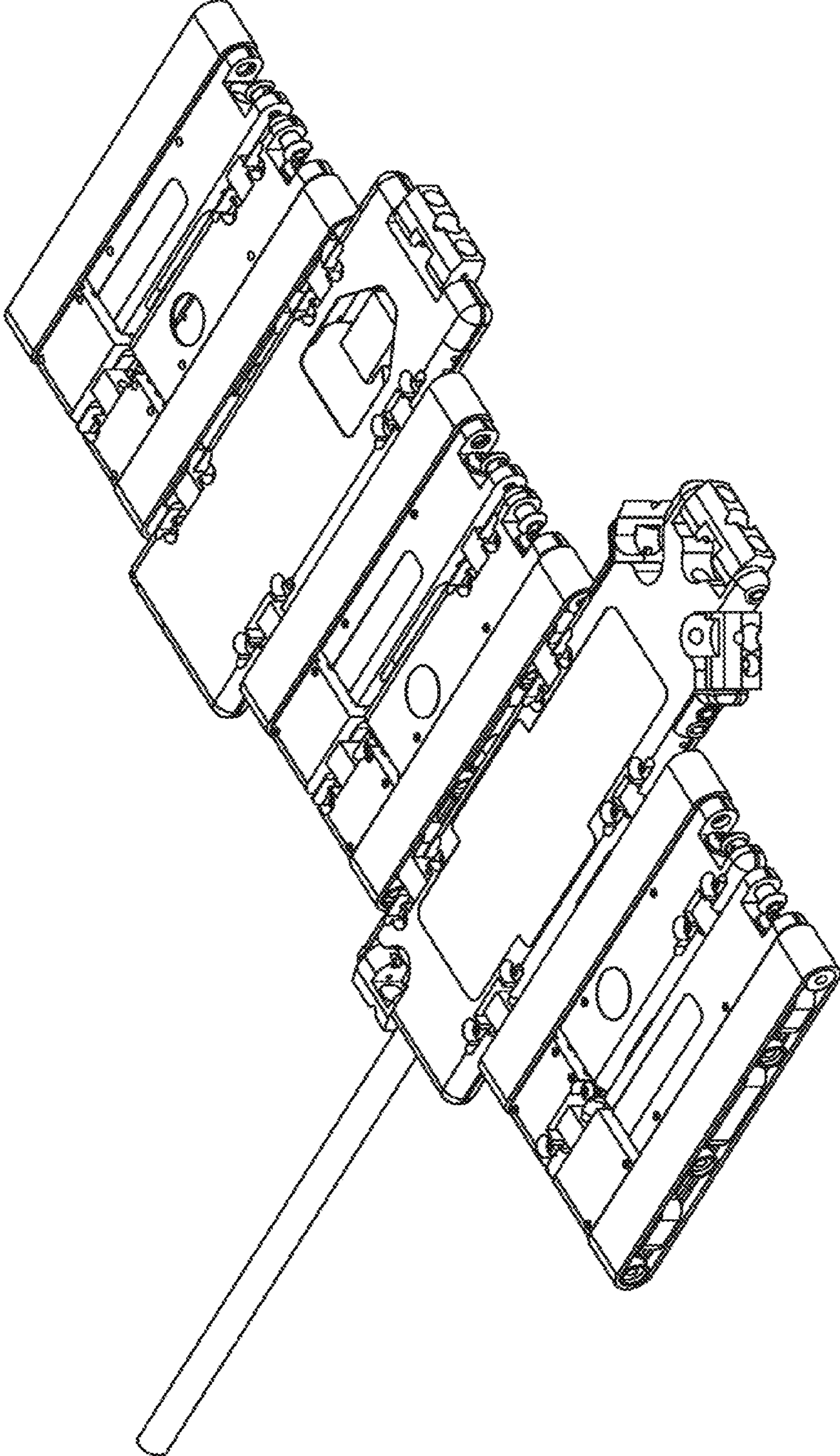


FIG. 1



FIG. 4



FIG. 5

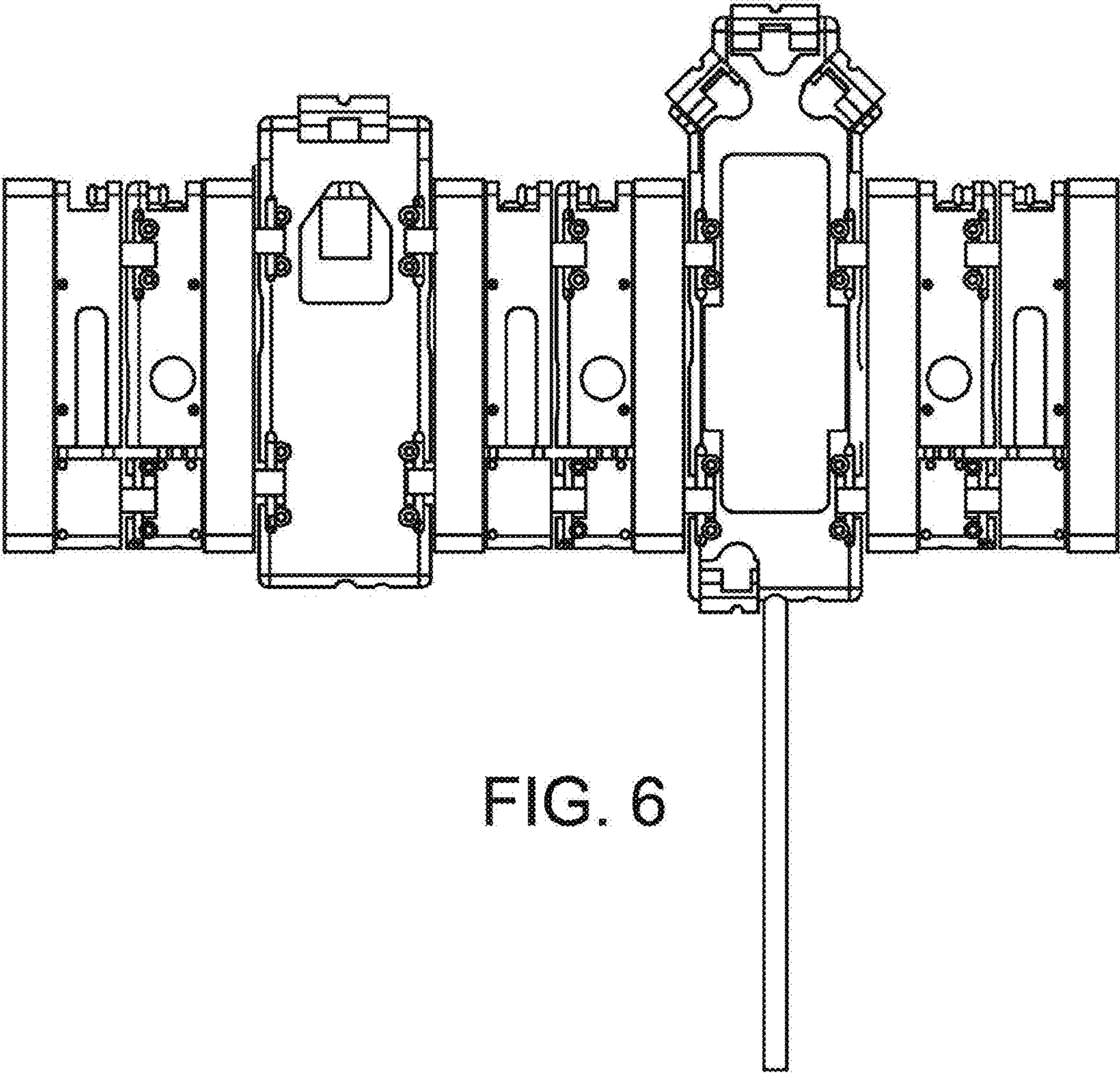


FIG. 6

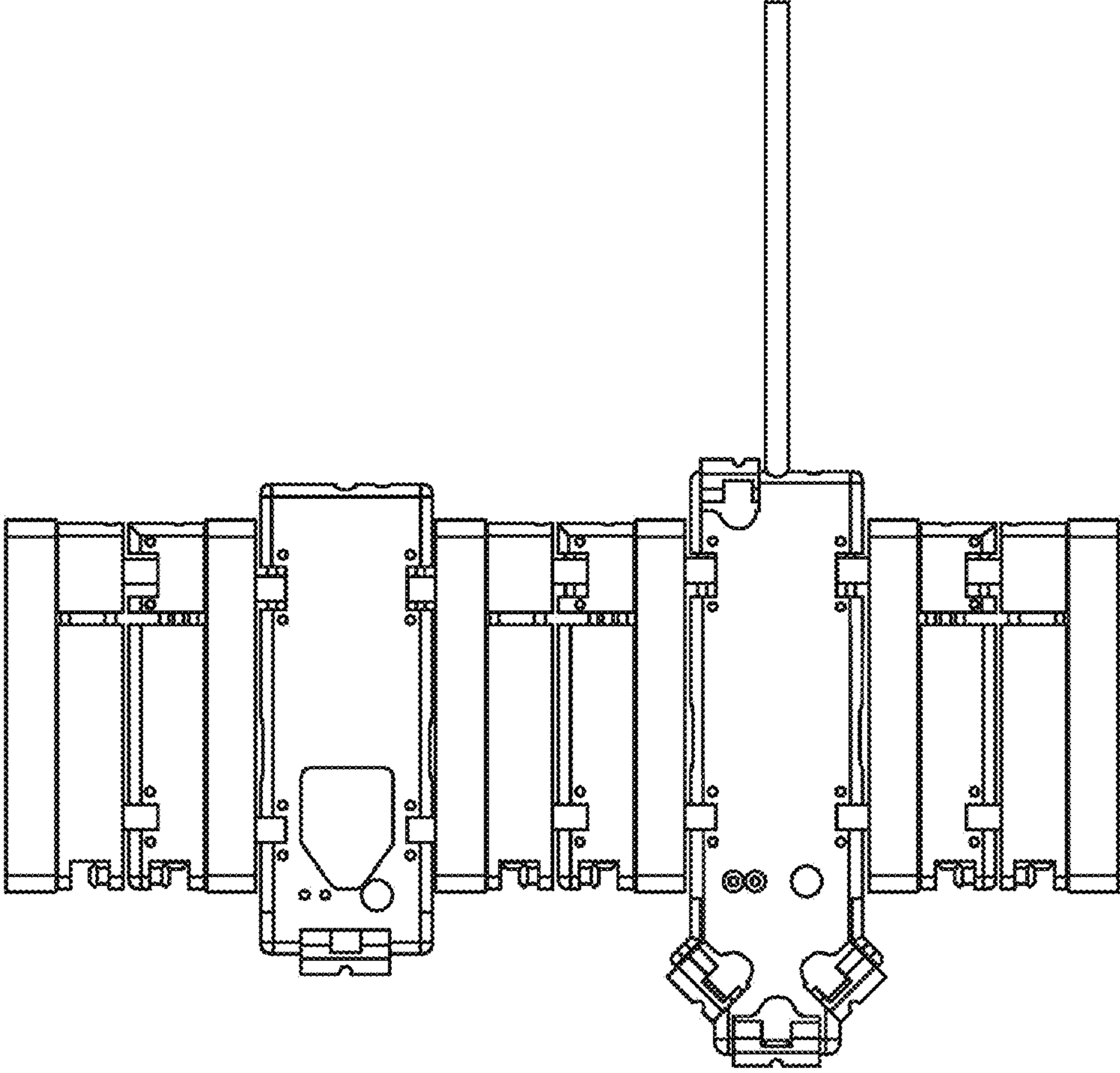


FIG. 7