



US00D748050S

(12) **United States Design Patent**
Schuessler

(10) **Patent No.:** **US D748,050 S**
(45) **Date of Patent:** **** Jan. 26, 2016**

- (54) **TIRE TREAD**
- (71) Applicant: **COOPER TIRE & RUBBER COMPANY**, Findlay, OH (US)
- (72) Inventor: **Chelsea L. Schuessler**, Findlay, OH (US)
- (73) Assignee: **COOPER TIRE & RUBBER COMPANY**, Findlay, OH (US)
- (**) Term: **14 Years**
- (21) Appl. No.: **29/491,808**
- (22) Filed: **May 23, 2014**
- (51) **LOC (10) Cl.** **12-15**
- (52) **U.S. Cl.**
USPC **D12/601**
- (58) **Field of Classification Search**
USPC D12/568-603
CPC B60C 11/0306; B60C 11/04; B60C 11/12;
B60C 11/13; B60C 11/11; B60C 11/005;
B60C 11/1307; B60C 1/0016; B60C
2011/1213
See application file for complete search history.

D662,463 S * 6/2012 Youn D12/601
 D735,122 S * 7/2015 Grote D12/601
 2015/0231928 A1* 8/2015 Sato B60C 11/03
 152/209.18

* cited by examiner

Primary Examiner — George D Kirschbaum

Assistant Examiner — Jennifer Watkins

(74) *Attorney, Agent, or Firm* — Fay Sharpe LLP

(57) **CLAIM**

The ornamental design for a tire tread, as shown and described.

DESCRIPTION

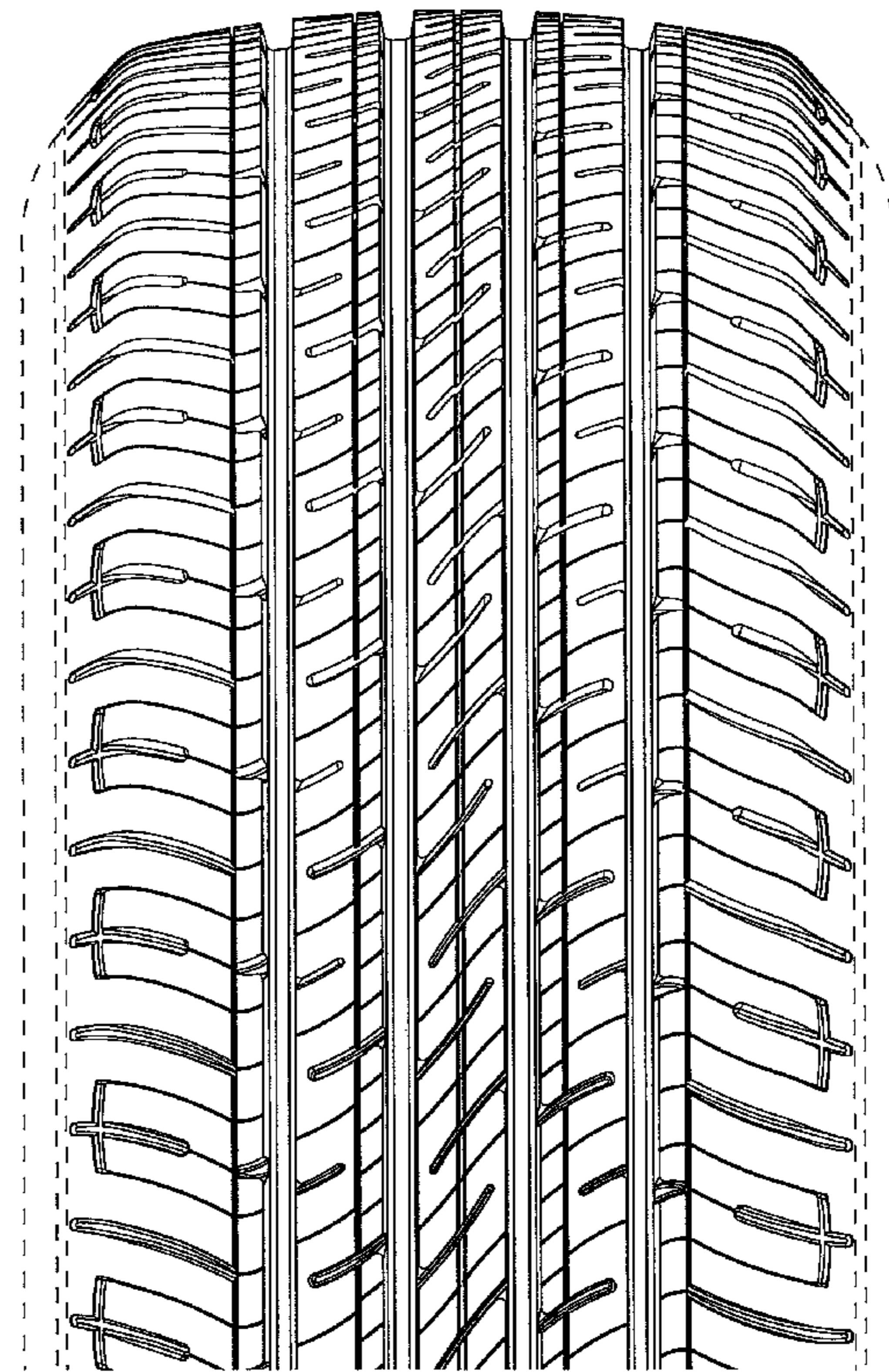
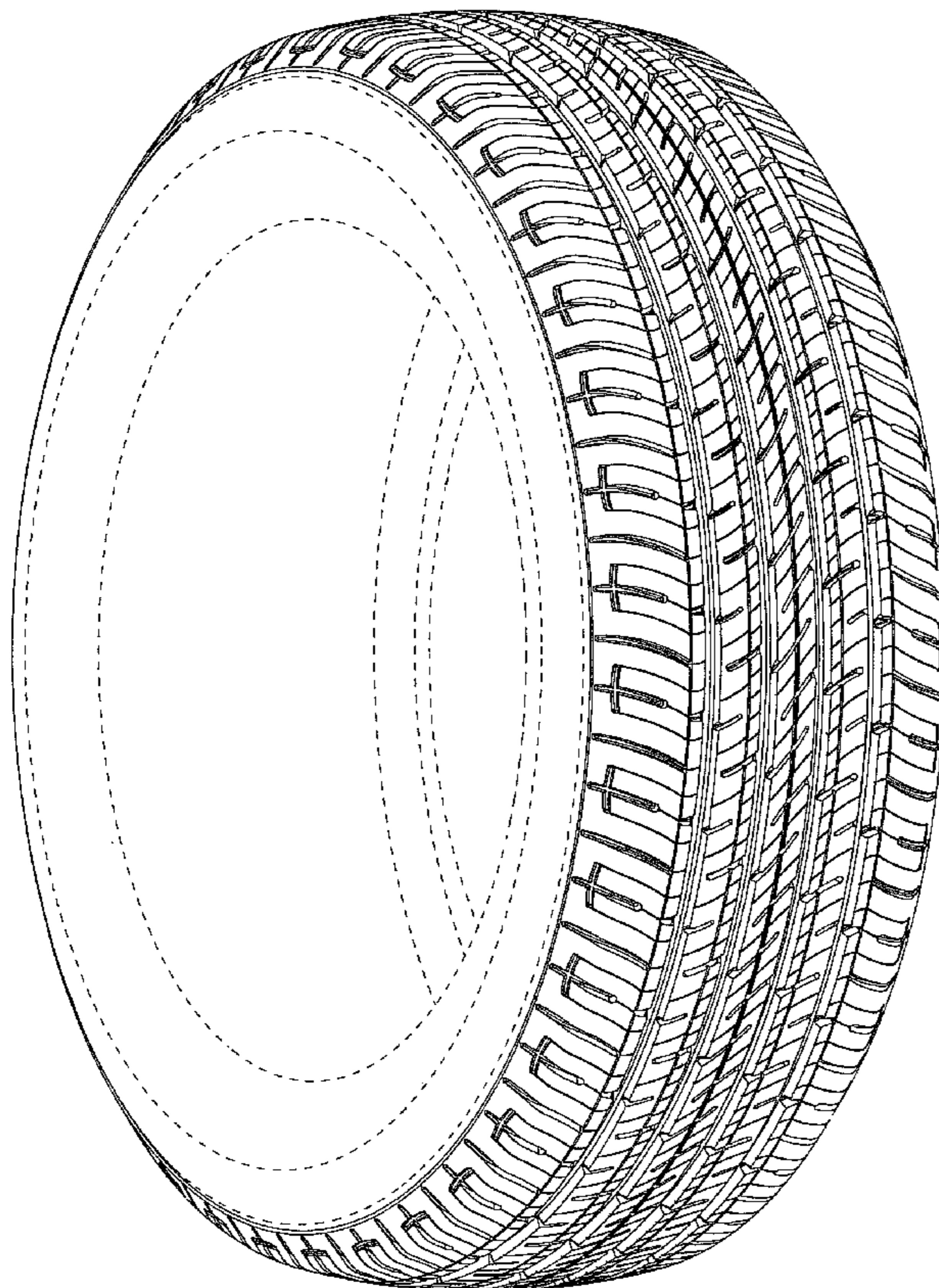
FIG. 1 is a perspective view of a full tire including the tire tread of the present application;
 FIG. 2 is a partial side view thereof;
 FIG. 3 is a front view thereof; and,
 FIG. 4 is an enlarged partial front view thereof.
 The remaining three-fourths of the side view is a repetition of the illustrated one-fourth portion. The broken line showings of the sidewall, inner bead, shoulder tread, and the peripheral boundary between the tire tread and the sidewall is included for the purpose of illustrating environment and forms no part of the claim.

1 Claim, 4 Drawing Sheets

(56) **References Cited**

U.S. PATENT DOCUMENTS

- 5,240,053 A * 8/1993 Baumhofer B60C 11/0306
152/209.22
- D601,949 S * 10/2009 Shinkai D12/585



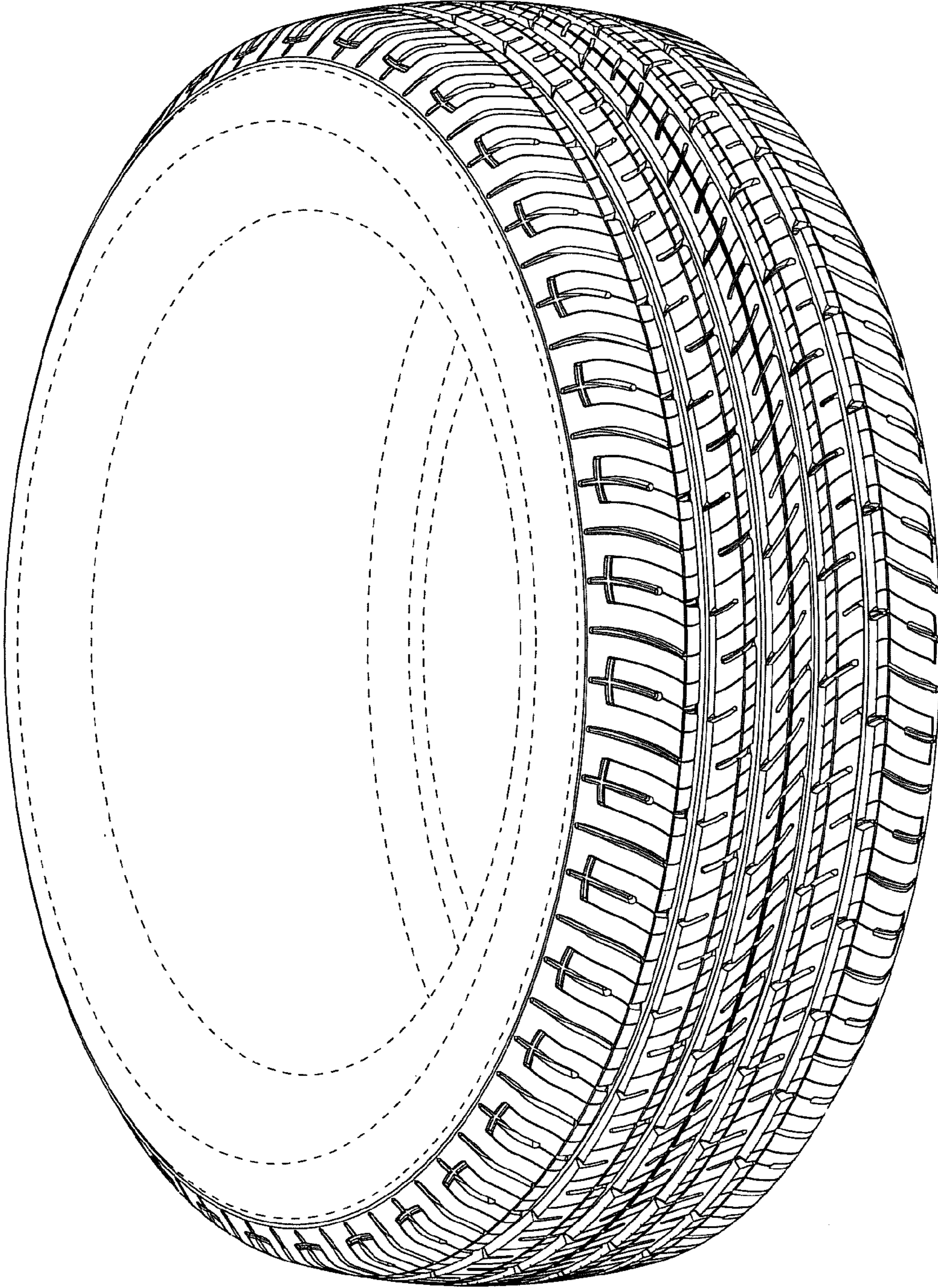


FIG. 1

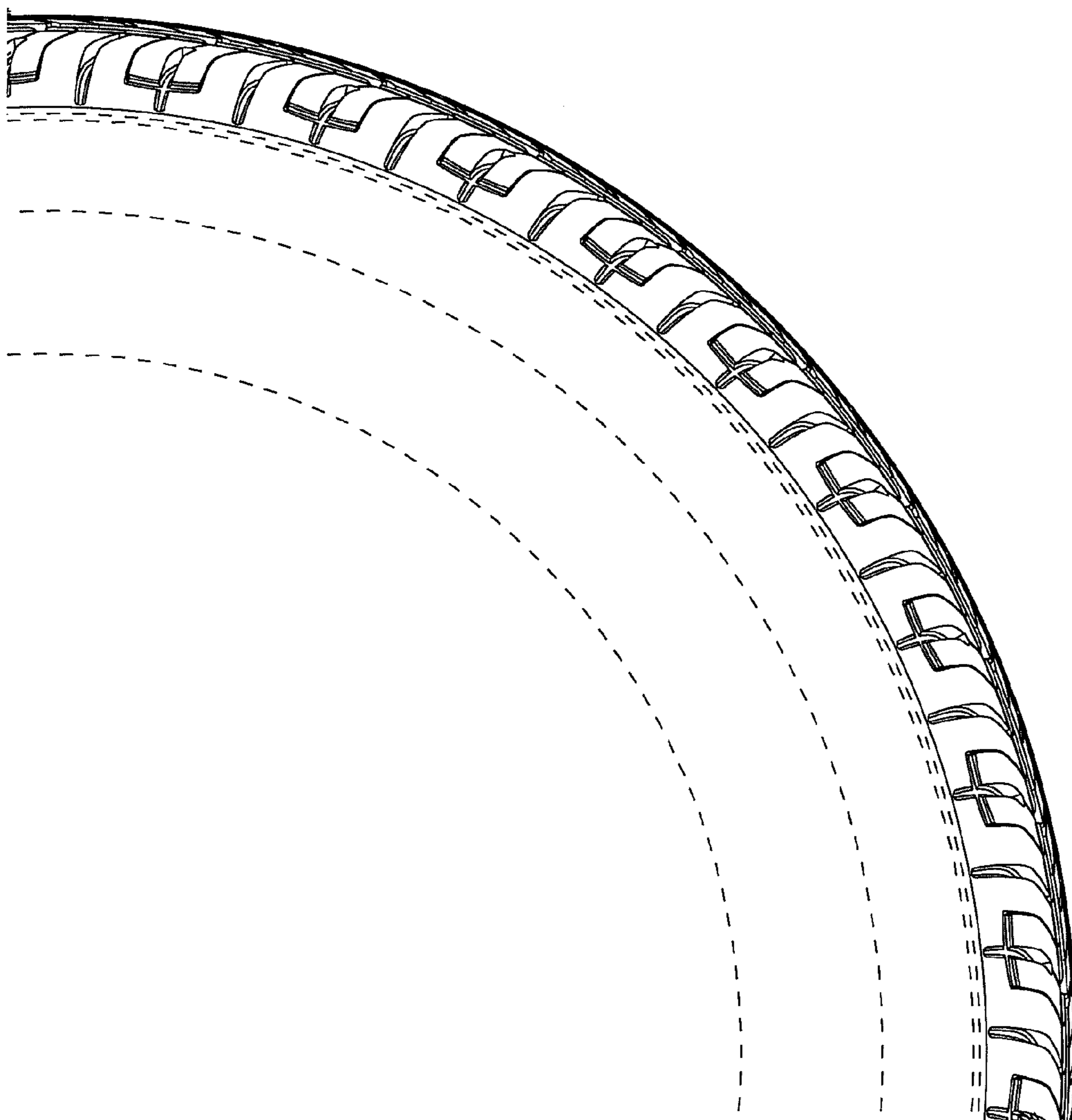


FIG. 2

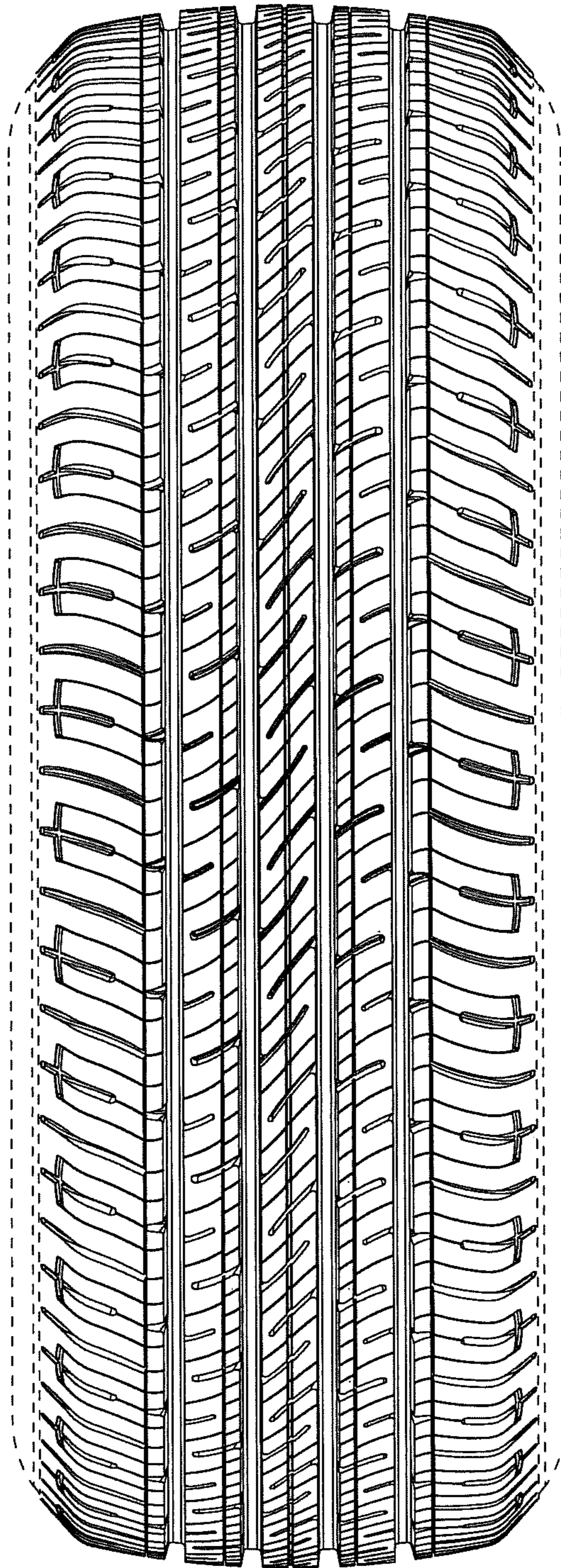


FIG. 3

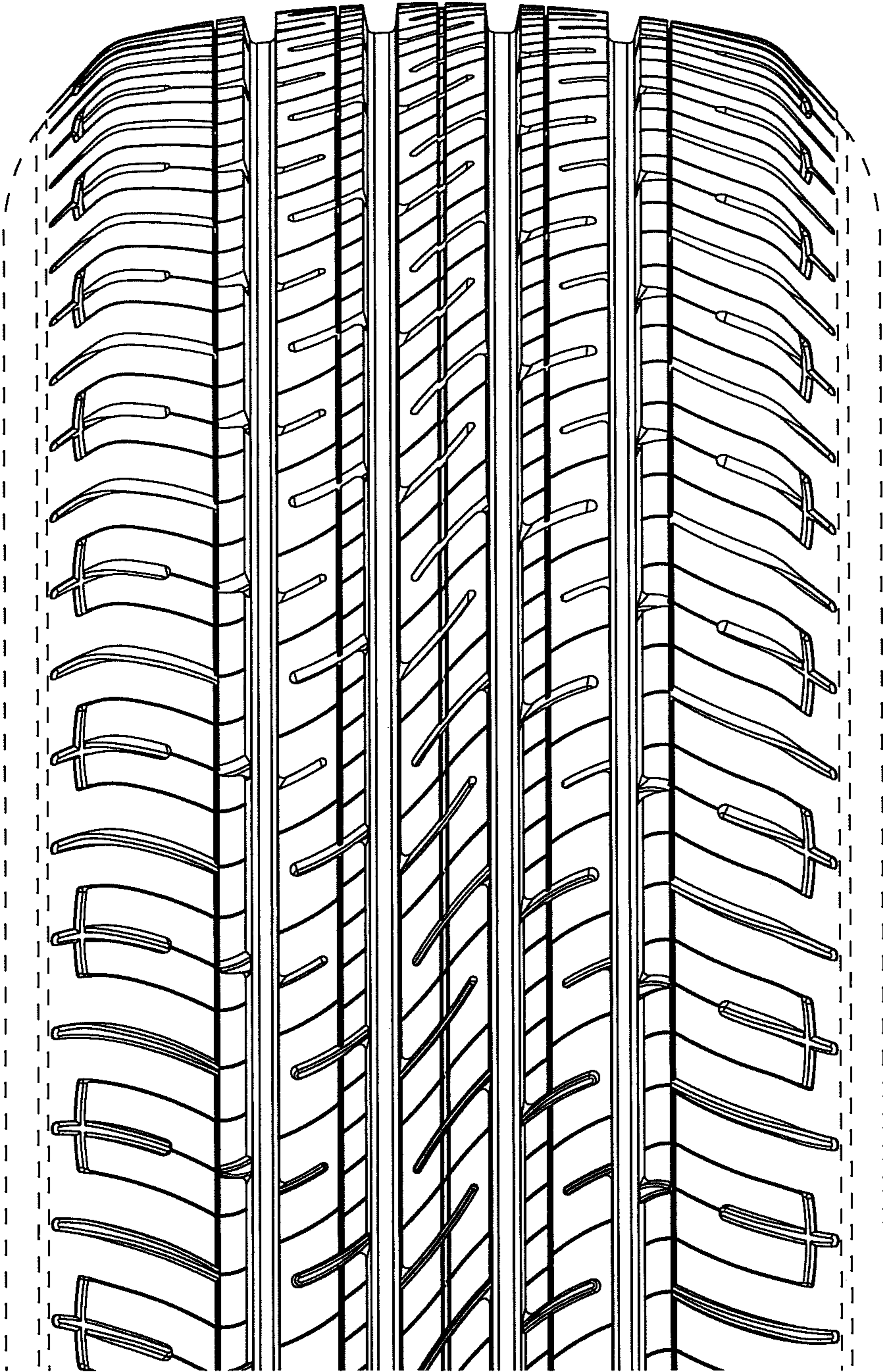


FIG. 4