



US00D748044S

(12) **United States Design Patent**  
**Schuessler**

(10) **Patent No.:** **US D748,044 S**  
(45) **Date of Patent:** **\*\* Jan. 26, 2016**

(54) **TIRE TREAD**

(71) Applicant: **COOPER TIRE & RUBBER COMPANY**, Findlay, OH (US)

(72) Inventor: **Chelsea L. Schuessler**, Findlay, OH (US)

(73) Assignee: **COOPER TIRE & RUBBER COMPANY**, Findlay, OH (US)

(\*\*) Term: **14 Years**

(21) Appl. No.: **29/492,139**

(22) Filed: **May 28, 2014**

(51) **LOC (10) Cl.** ..... **12-15**

(52) **U.S. Cl.**  
USPC ..... **D12/580**

(58) **Field of Classification Search**  
USPC ..... D12/568-603  
CPC .... B60C 11/0306; B60C 11/04; B60C 11/12;  
B60C 11/13; B60C 11/11; B60C 11/005;  
B60C 11/1307; B60C 1/0016; B60C  
2011/1213

See application file for complete search history.

(56) **References Cited**

**U.S. PATENT DOCUMENTS**

D729,155 S \* 5/2015 Jacobs ..... D12/600  
D734,710 S \* 7/2015 Jacobs ..... D12/580

D735,645 S \* 8/2015 Drake ..... D12/588  
D736,145 S \* 8/2015 Jacobs ..... D12/594  
D736,694 S \* 8/2015 Jacobs ..... D12/594  
D738,299 S \* 9/2015 Jacobs ..... D12/588  
2014/0360641 A1 \* 12/2014 Jacobs ..... B60C 111/307  
152/209.21

\* cited by examiner

*Primary Examiner* — George D Kirschbaum

*Assistant Examiner* — Jennifer Watkins

(74) *Attorney, Agent, or Firm* — Fay Sharpe LLP

(57) **CLAIM**

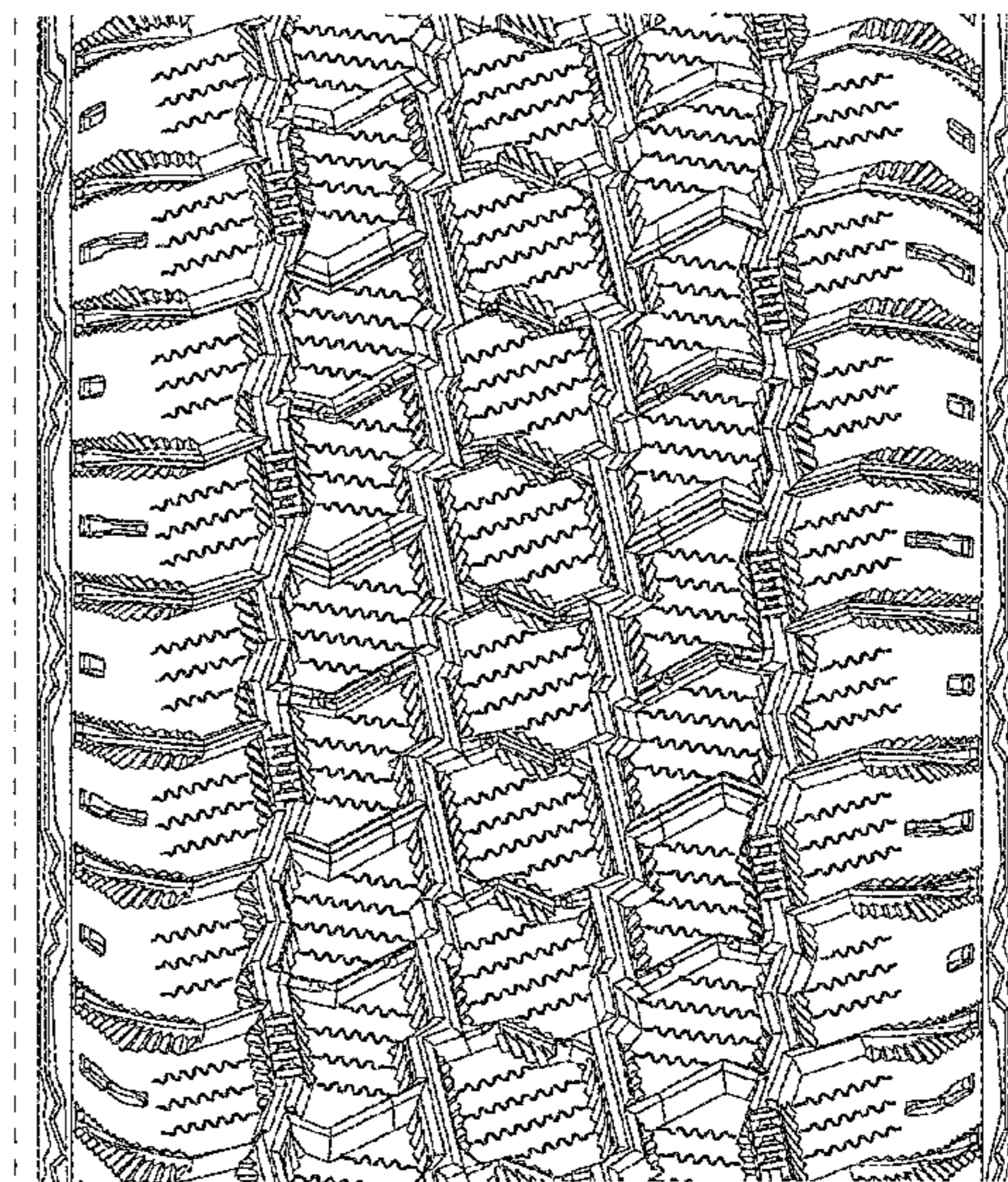
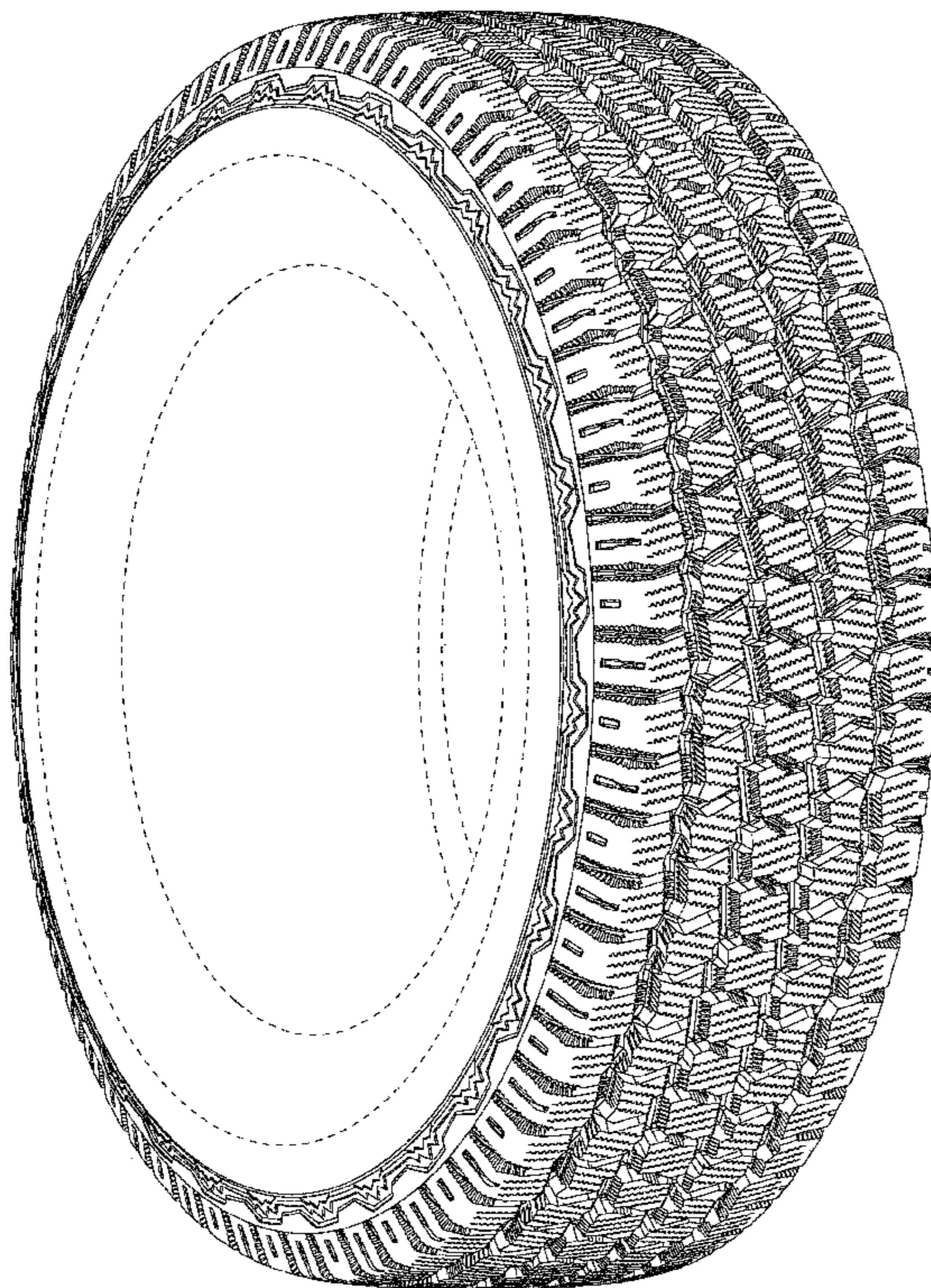
The ornamental design for a tire tread, as shown and described.

**DESCRIPTION**

FIG. 1 is a perspective view of a full tire including the tire tread of the present application;  
FIG. 2 is a partial side view thereof;  
FIG. 3 is a front view thereof; and,  
FIG. 4 is a partial front view thereof.

The side view of the inner and outer sides of the tire are the same, i.e., the tire tread is symmetrical. Further, the remaining three-fourths portion of the side view of the tire is repetitive of the illustrated one-fourth portion. The broken line showings of the sidewall, inner bead, shoulder tread, and the peripheral boundary between the tire tread and the sidewall are included for the purpose of illustrating environment and form no part of the claim.

**1 Claim, 4 Drawing Sheets**



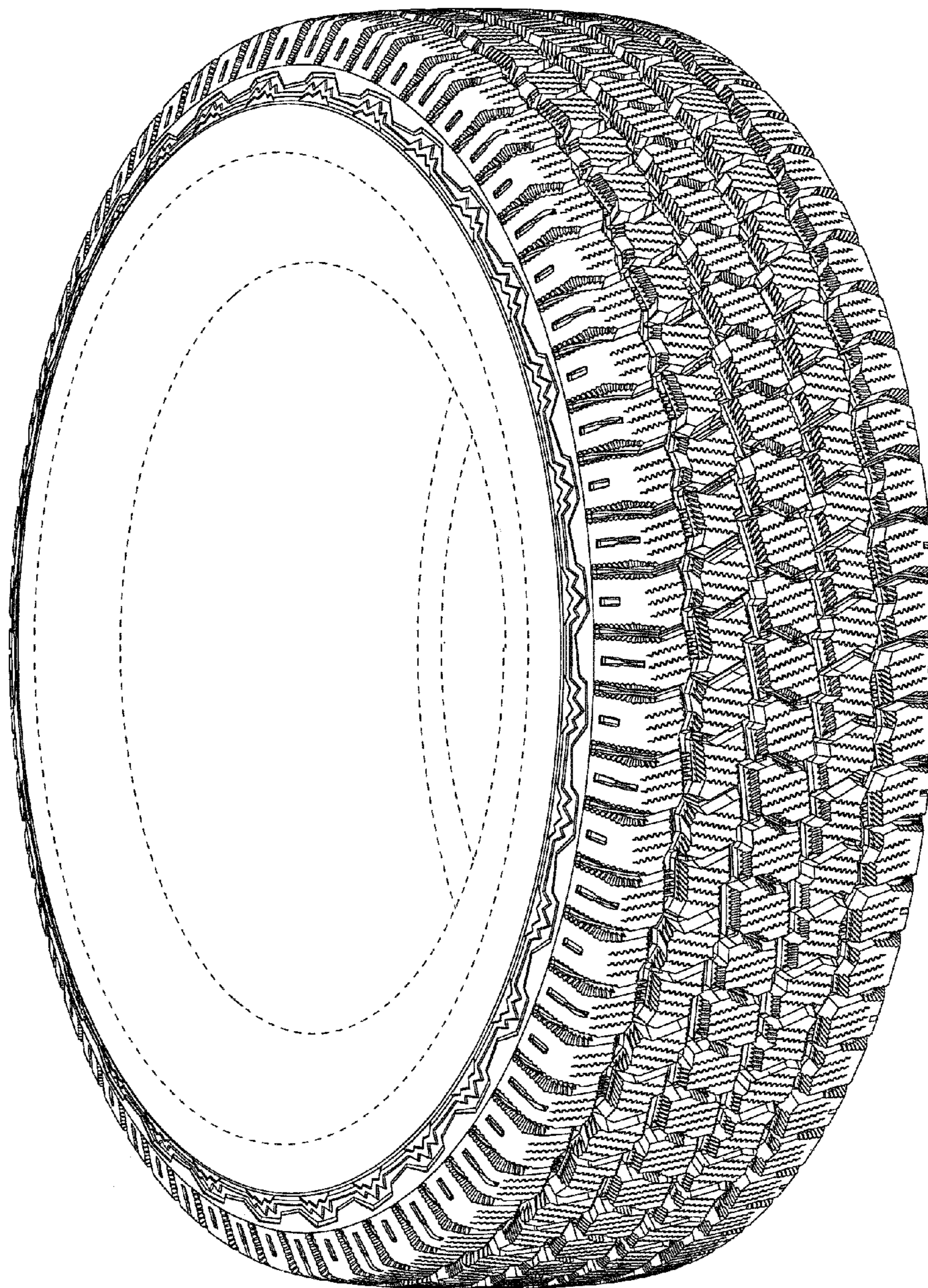


FIG. 1

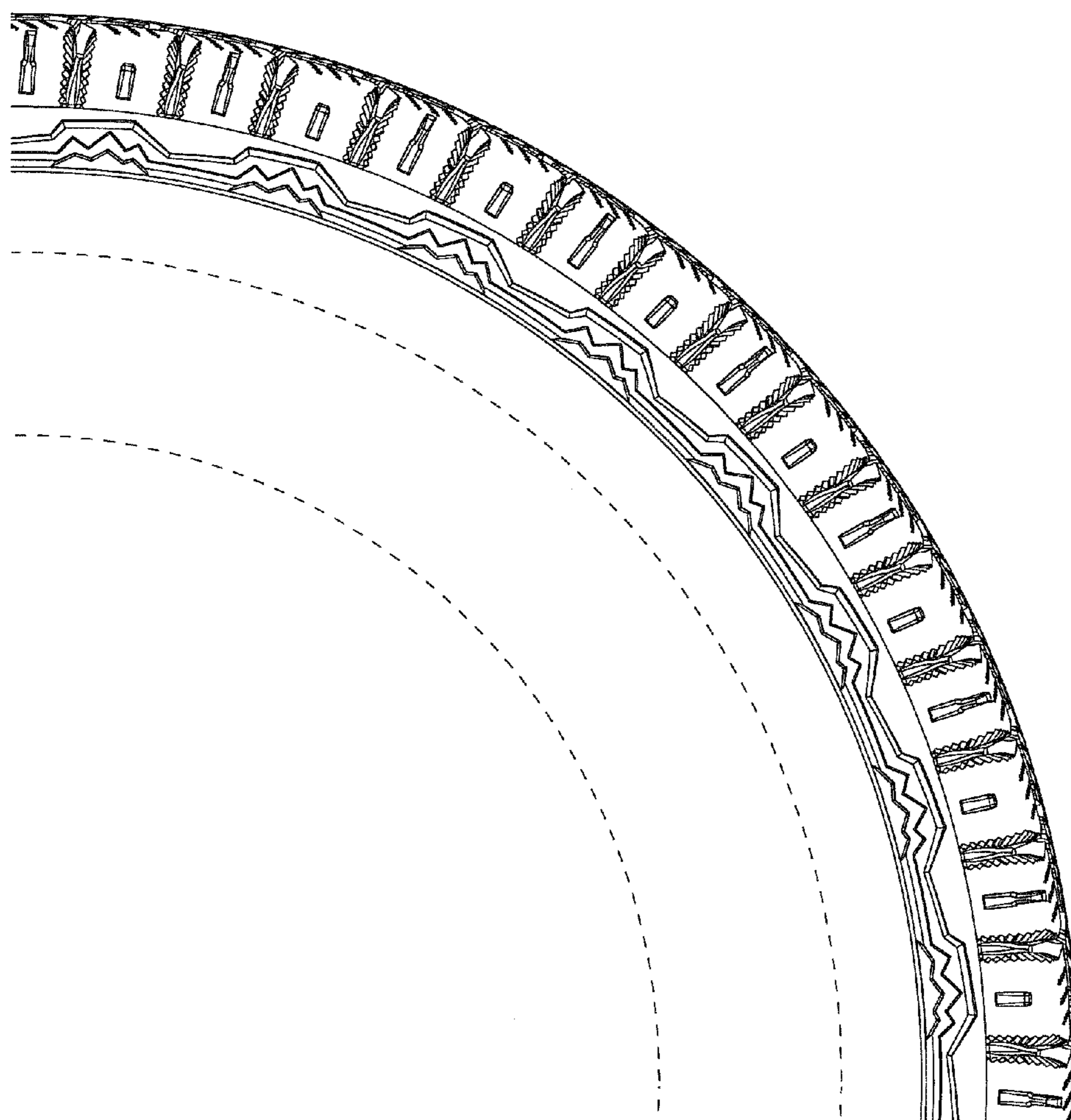


FIG. 2

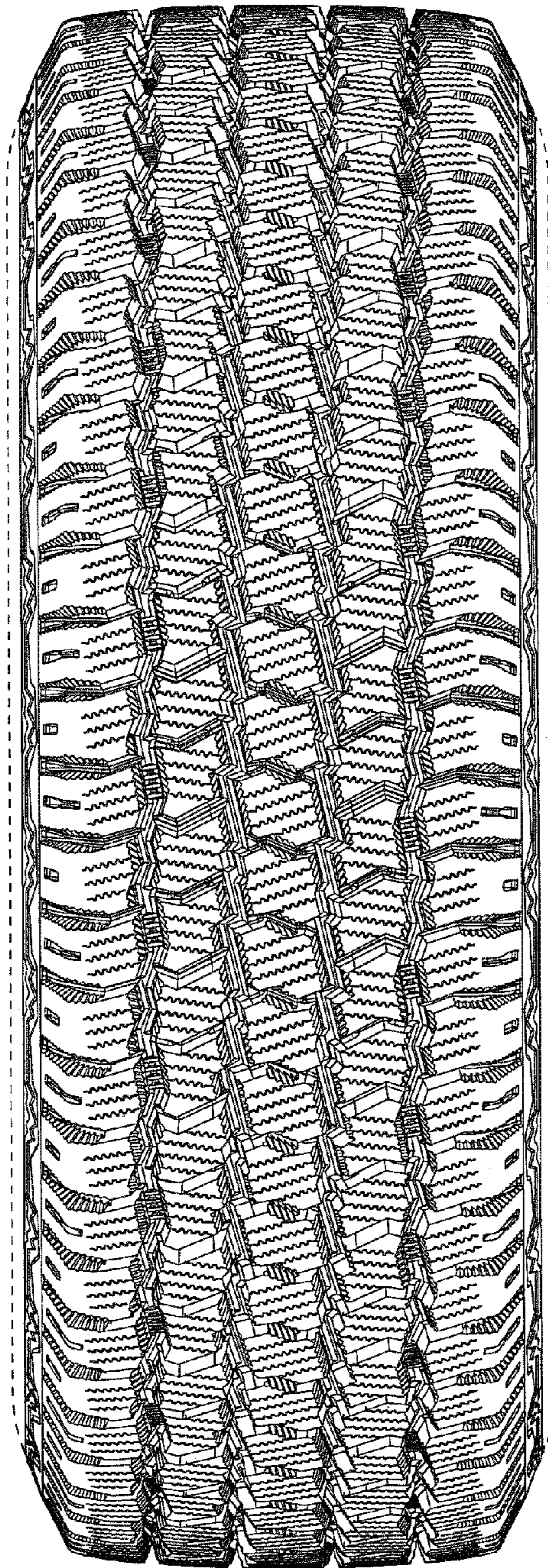


FIG. 3

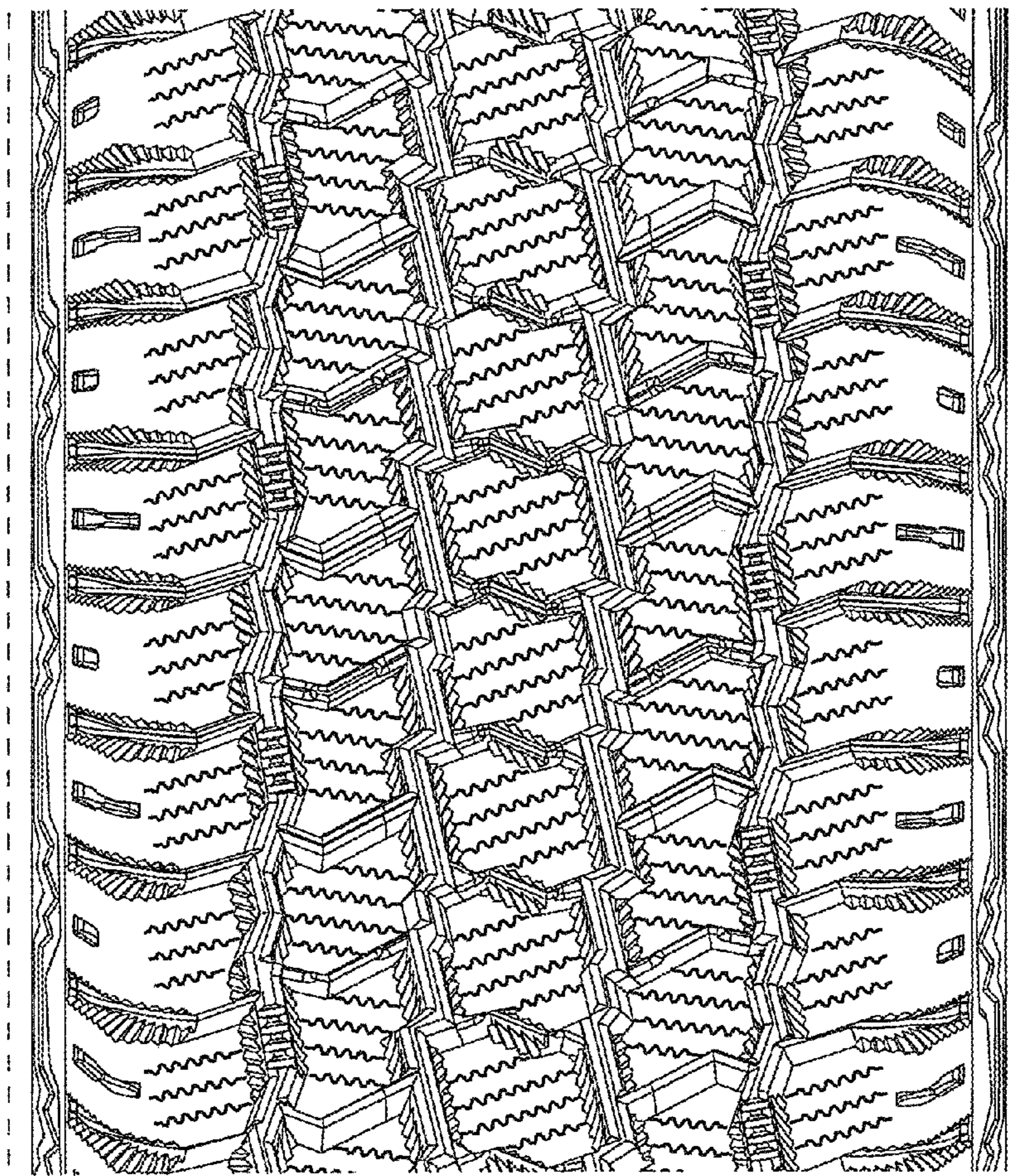


FIG. 4