



US00D748037S

(12) **United States Design Patent**
Filo et al.

(10) **Patent No.:** **US D748,037 S**
(45) **Date of Patent:** **** Jan. 26, 2016**

(54) **SELF-PROPELLED AND SPIN STABILIZED FEMPTO SATELLITE WITH A DUAL ASYMMETRICAL BIFURCATED DIPOLE ANTENNAE KICKER**

(71) Applicants: **Andrew Simon Filo**, Cupertino, CA (US); **Matthew Frederick Reyes**, Burlingame, CA (US)

(72) Inventors: **Andrew Simon Filo**, Cupertino, CA (US); **Matthew Frederick Reyes**, Burlingame, CA (US)

(**) Term: **14 Years**

(21) Appl. No.: **29/477,454**

(22) Filed: **Dec. 22, 2013**

(51) **LOC (10) Cl.** **12-07**

(52) **U.S. Cl.**
USPC **D12/320**

(58) **Field of Classification Search**
USPC D12/319-345; 244/158.1-173.3, 1 R, 244/10; 342/357.22, 357.64, 61, 62; 455/12.1, 427, 13.2, 13.3; 701/13; 136/292; 343/DIG. 2, 880, 881, 895
CPC G01S 19/39; G01S 5/0027; B64G 1/1078; B64G 1/44; H01Q 11/086; H01Q 1/1235; H01Q 1/288; H01Q 1/362

See application file for complete search history.

(56) **References Cited**

U.S. PATENT DOCUMENTS

4,834,325	A *	5/1989	Faget et al.	244/159.4
5,373,306	A *	12/1994	Amore et al.	343/872
6,049,305	A *	4/2000	Tassoudji et al.	342/357.76
6,366,257	B1 *	4/2002	Ramanujam et al.	343/781 P
6,616,104	B1 *	9/2003	Cheng et al.	244/158.6
6,883,757	B2 *	4/2005	Goodzeit et al.	244/165
7,603,081	B2 *	10/2009	Karabinis	455/12.1
8,757,554	B1 *	6/2014	Harvey et al.	244/172.9
8,798,816	B1 *	8/2014	Guyot	701/13
2005/0037749	A1 *	2/2005	Karabinis et al.	455/427
2005/0272369	A1 *	12/2005	Karabinis et al.	455/12.1

* cited by examiner

Primary Examiner — Cynthia Ramirez

Assistant Examiner — Gino Colan

(74) *Attorney, Agent, or Firm* — Haverstock & Owens LLP

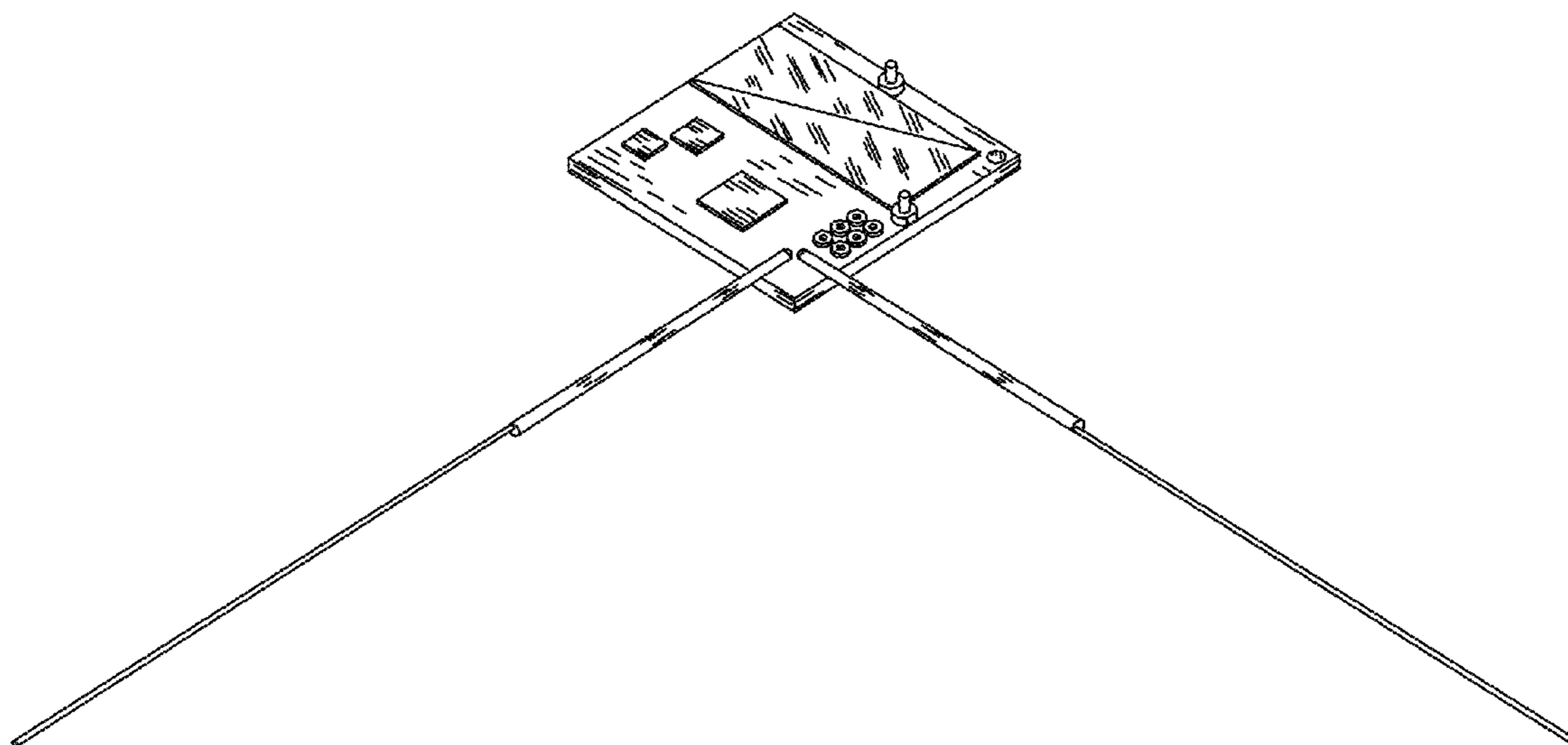
(57) **CLAIM**

The ornamental design for a self-propelled and spin stabilized fempto satellite with a dual asymmetrical bifurcated dipole antennae kicker, as shown and described.

DESCRIPTION

FIG. 1 is an isometric view of the self-propelled and spin stabilized fempto satellite with a dual asymmetrical bifurcated dipole antennae kicker showing our new design; FIG. 2 is a top view thereof; FIG. 3 is a bottom view thereof; FIG. 4 is a front view thereof; and, FIG. 5 is a side view thereof. The broken lines indicate the bounds of the claimed design and form no part of the claimed design.

1 Claim, 5 Drawing Sheets



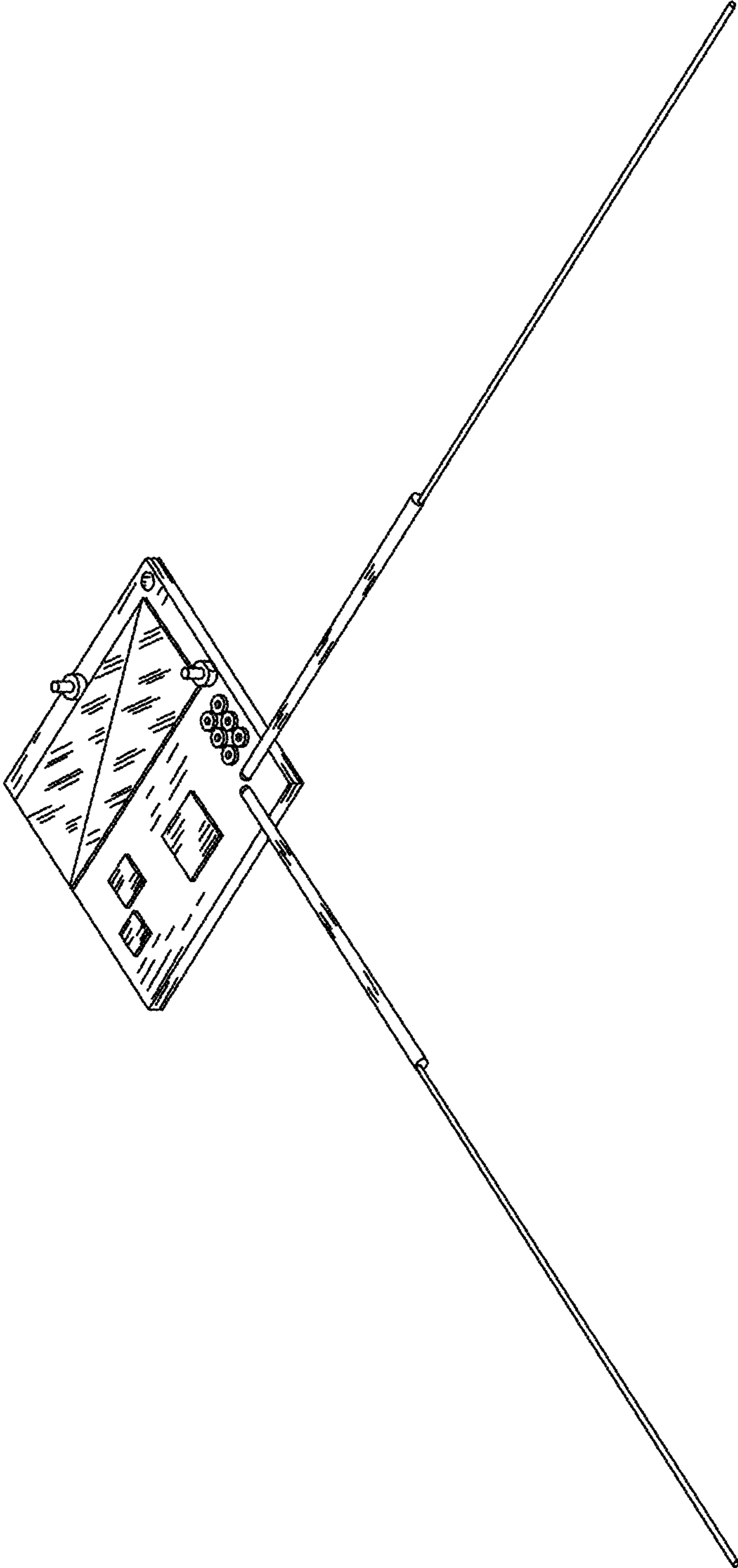


Fig. 1

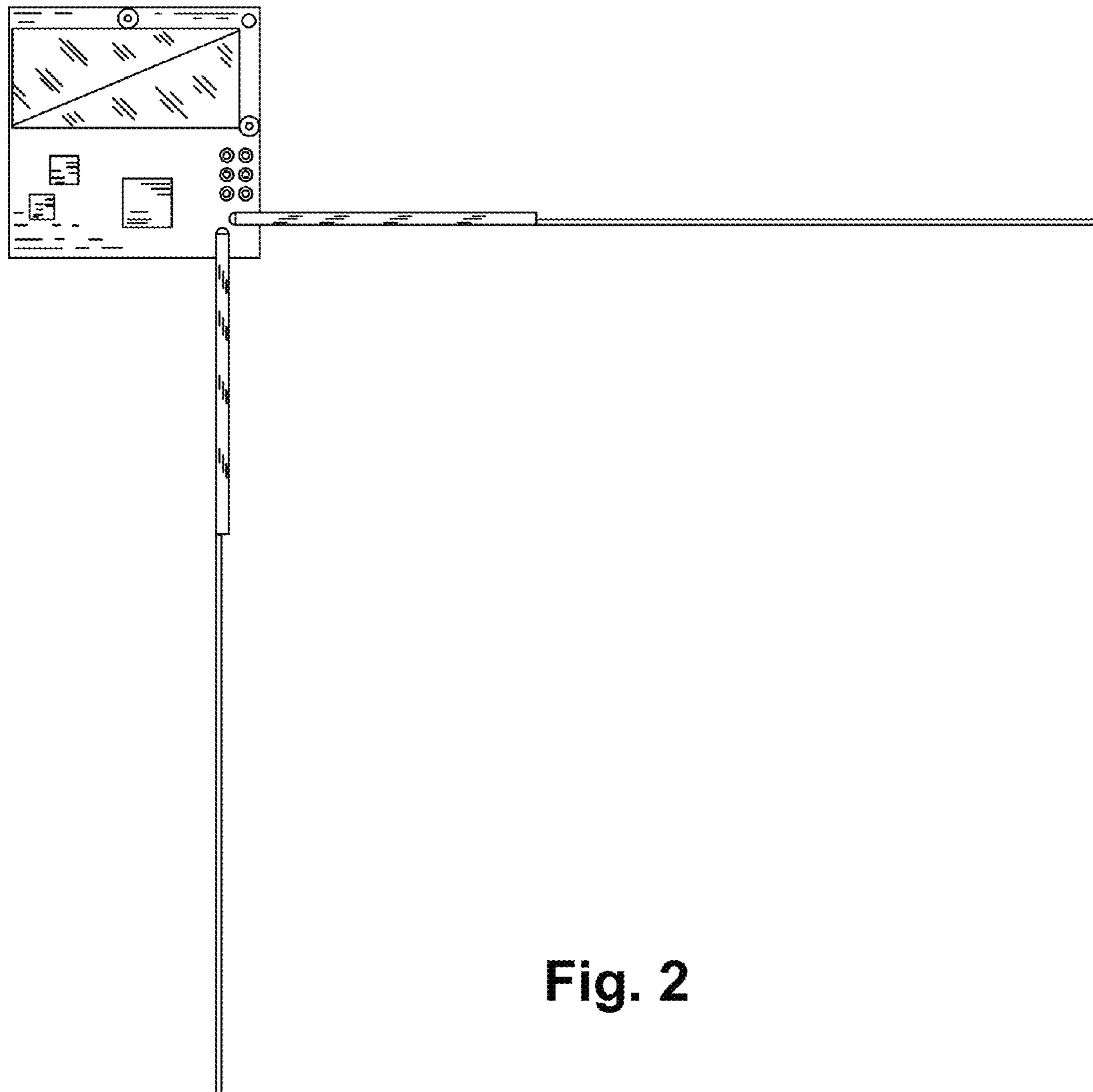


Fig. 2

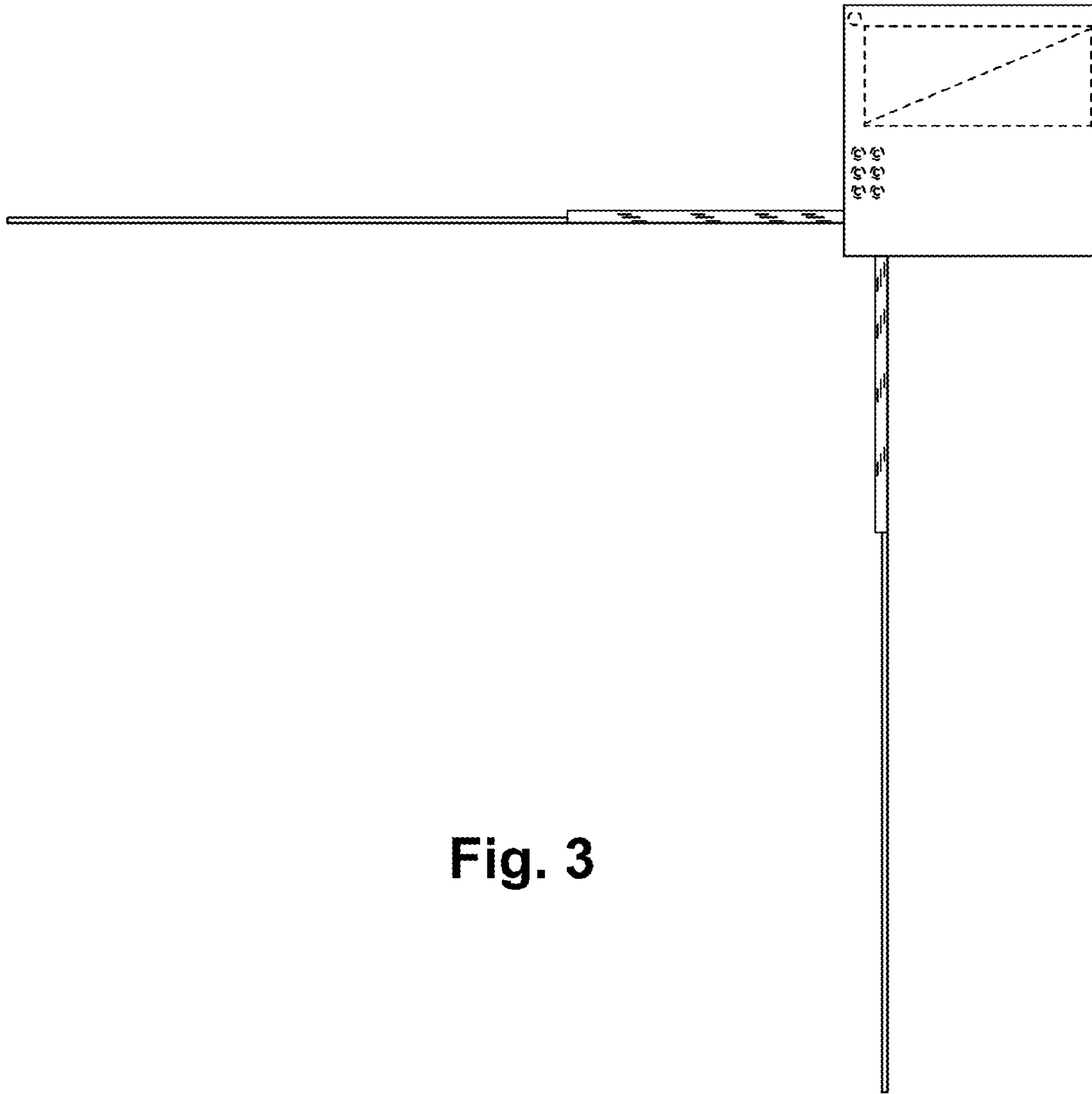


Fig. 3

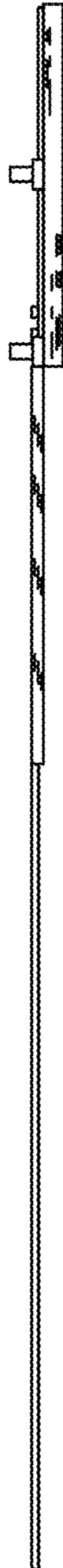


Fig. 4



Fig. 5