



US00D748035S

(12) **United States Design Patent**
Wagener

(10) **Patent No.:** **US D748,035 S**
(45) **Date of Patent:** **** Jan. 26, 2016**

- (54) **WHEEL OR WHEEL COVER**
- (71) Applicant: **Daimler AG**, Stuttgart (DE)
- (72) Inventor: **Gorden Wagener**, Gaeufelden (DE)
- (73) Assignee: **Daimler AG**, Stuttgart (DE)
- (**) Term: **14 Years**
- (21) Appl. No.: **29/507,316**
- (22) Filed: **Oct. 27, 2014**
- (30) **Foreign Application Priority Data**

Apr. 28, 2014 (EM) 002454264-0001

- (51) **LOC (10) Cl.** **12-16**
- (52) **U.S. Cl.**
USPC **D12/211**
- (58) **Field of Classification Search**
USPC D12/204-213
CPC B60B 7/00; B60B 7/02; B60B 7/04;
B60B 7/01; B60B 7/06; B60B 3/02; B60B
3/04; B60B 3/06; B60B 3/10; B60B 1/00;
B60B 1/08; B60B 1/10; B60B 1/12
See application file for complete search history.

(56) **References Cited**
U.S. PATENT DOCUMENTS

D493,404 S *	7/2004	Baum	D12/211
D500,726 S *	1/2005	Hettler	D12/211
D516,989 S *	3/2006	Baum	D12/211
D516,990 S *	3/2006	Schweizer	D12/211

D548,162 S *	8/2007	Baum	D12/211
D548,166 S *	8/2007	Young	D12/211
D551,149 S *	9/2007	Elmitt	D12/211
D578,948 S *	10/2008	Asada	D12/211
D591,661 S *	5/2009	Baum	D12/209
D593,017 S *	5/2009	Antoniadis	D12/209
D620,874 S *	8/2010	Zhao	D12/211
D622,201 S *	8/2010	Zhao	D12/211
D643,794 S *	8/2011	Elmitt	D12/211
D657,298 S *	4/2012	Lee	D12/211
D668,197 S *	10/2012	Gotschke	D12/211
D685,311 S *	7/2013	Alfonso	D12/211
D688,189 S *	8/2013	Alfonso	D12/211
D689,004 S *	9/2013	Jallad	D12/211
D695,672 S *	12/2013	Cortes	D12/211
D702,613 S *	4/2014	Scheinutte	D12/211
D717,710 S *	11/2014	Chung	D12/211
D736,131 S *	8/2015	Mahoney	D12/209

* cited by examiner

Primary Examiner — Stacia Cadmus

(74) *Attorney, Agent, or Firm* — Crowell & Moring LLP

(57) **CLAIM**

The ornamental design for a wheel or wheel cover, as shown and described.

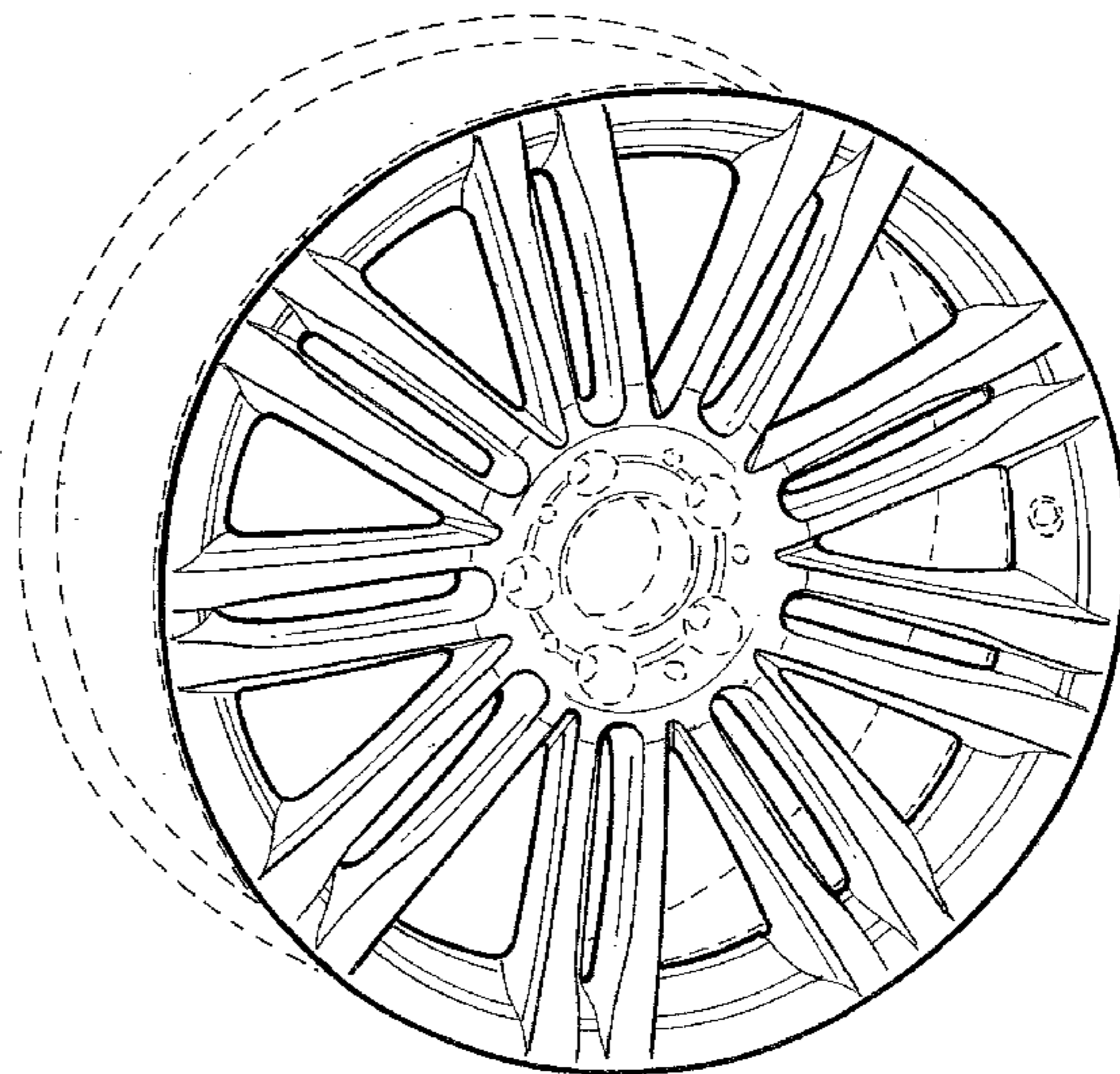
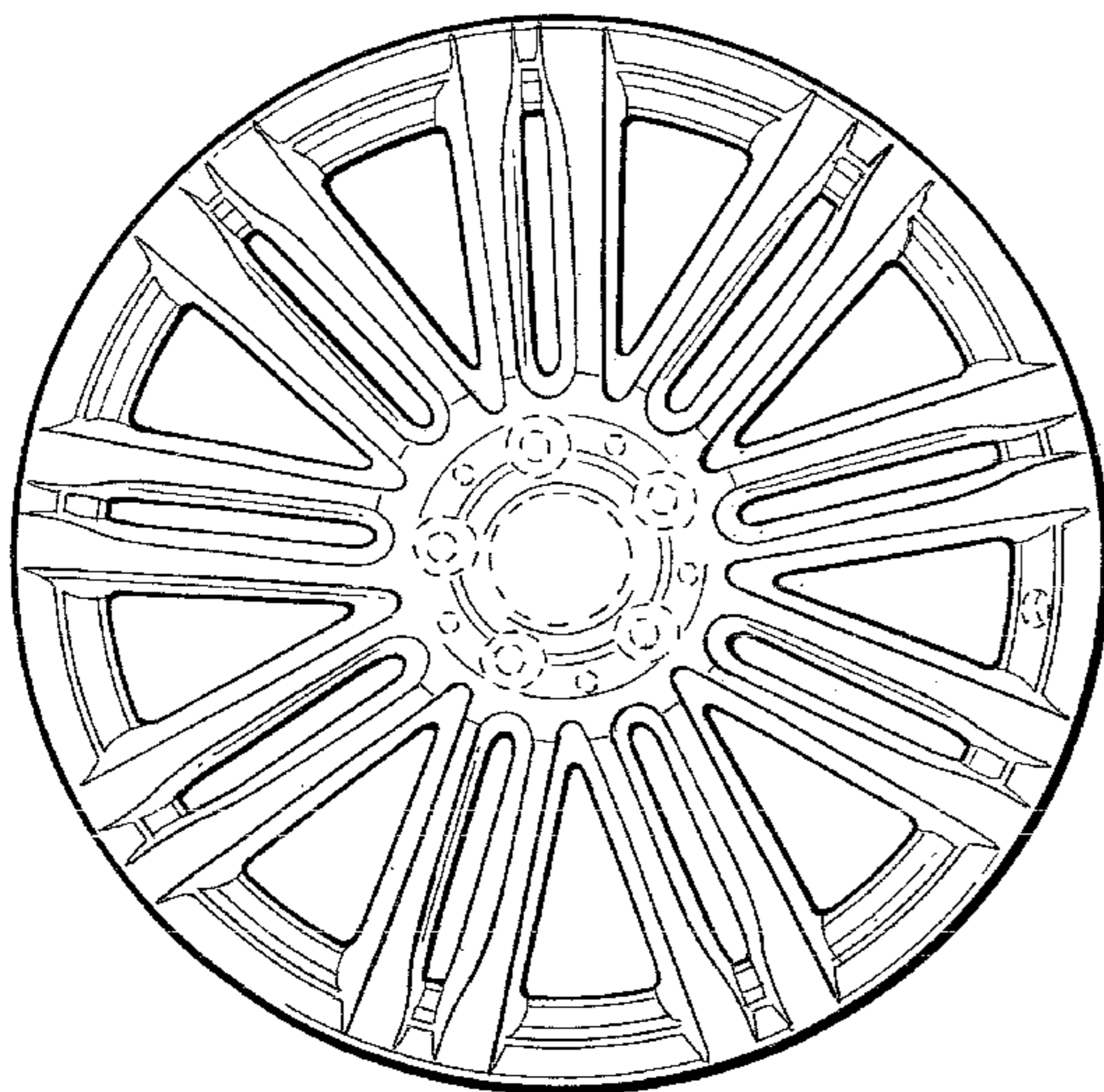
DESCRIPTION

FIG. 1 is a front view of a wheel or wheel cover according to the design; and,

FIG. 2 is a perspective view thereof.

The broken line showing of the rear of the wheel, the valve stem hole and the bolt holes and the center hole in the central hub area is included for the purpose of illustrating environment and forms no part of the claimed design.

1 Claim, 1 Drawing Sheet



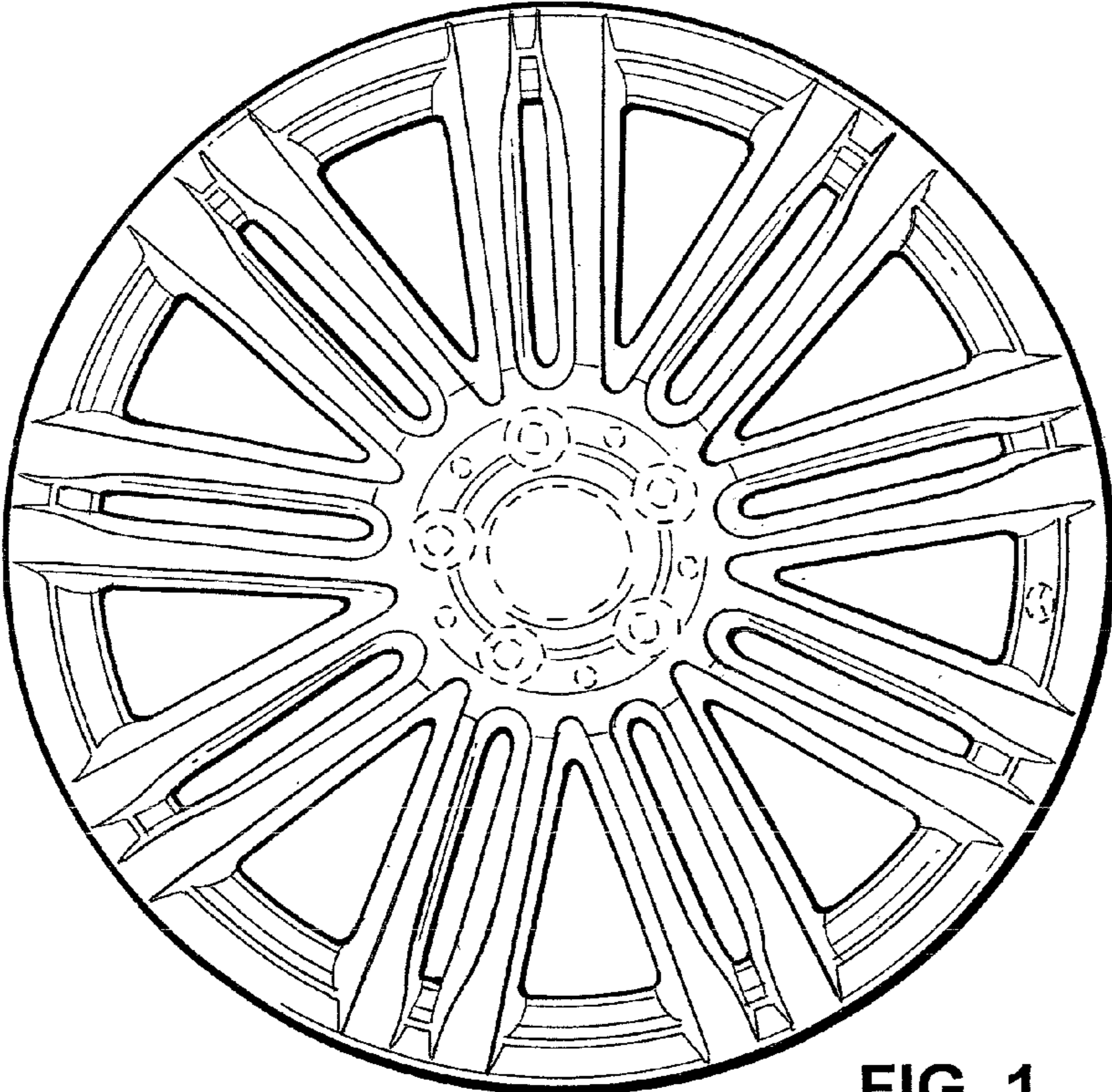


FIG. 1

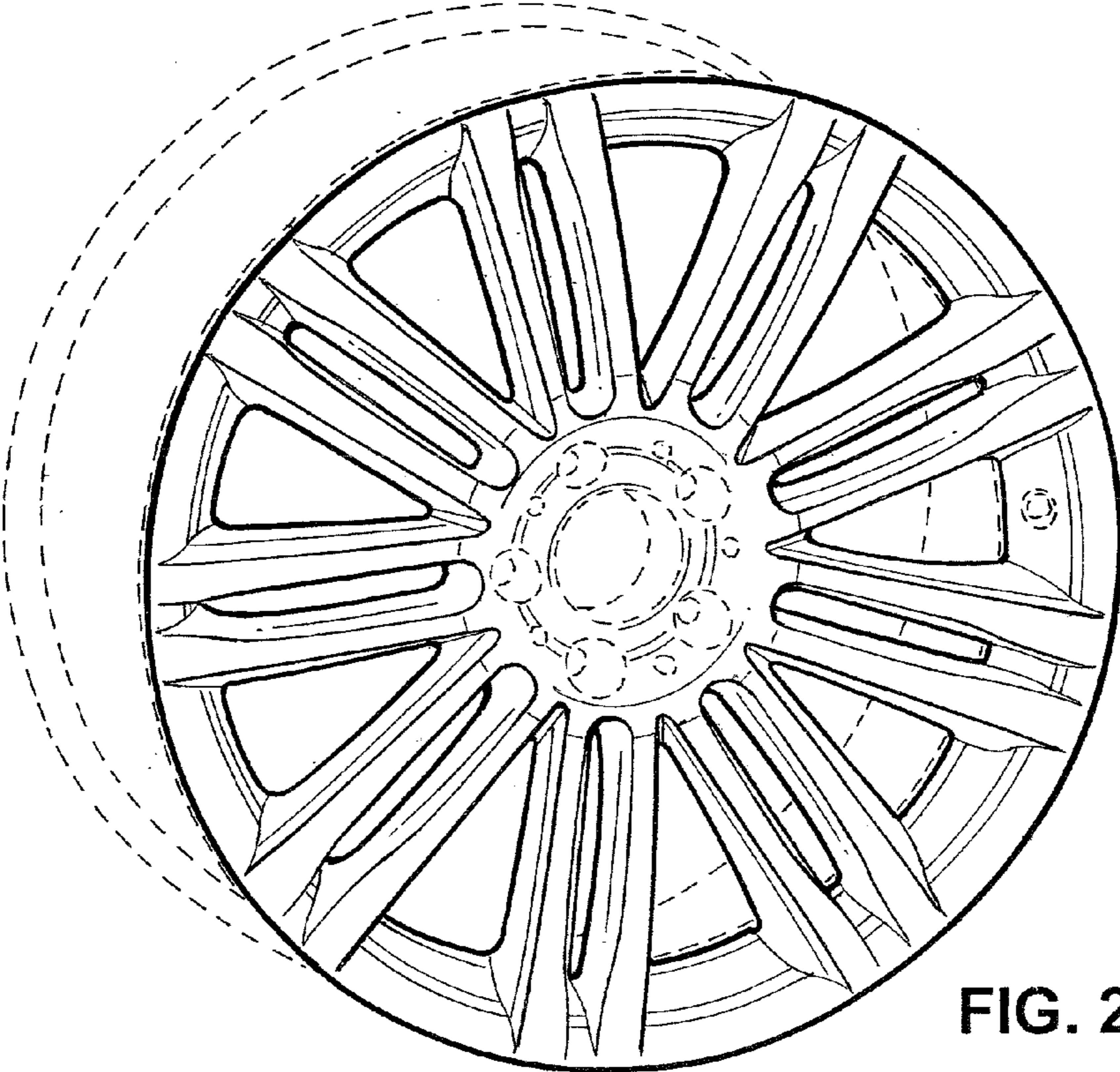


FIG. 2