



US00D748031S

(12) **United States Design Patent**
Miyazawa

(10) **Patent No.:** **US D748,031 S**
(45) **Date of Patent:** **** Jan. 26, 2016**

(54) **WHEEL FOR AN AUTOMOBILE**

(71) Applicant: **HONDA MOTOR CO., LTD.**, Tokyo (JP)

(72) Inventor: **Takuya Miyazawa**, Wako (JP)

(73) Assignee: **HONDA MOTOR CO., LTD.**, Tokyo (JP)

(**) Term: **14 Years**

(21) Appl. No.: **29/511,720**

(22) Filed: **Dec. 12, 2014**

(30) **Foreign Application Priority Data**

Jun. 13, 2014 (JP) 2014-012857

(51) **LOC (10) Cl.** **12-16**

(52) **U.S. Cl.**
USPC **D12/209**

(58) **Field of Classification Search**
USPC D12/204–213
CPC B60B 7/00; B60B 7/02; B60B 7/04;
B60B 7/01; B60B 7/06; B60B 3/02; B60B
3/04; B60B 3/06; B60B 3/10; B60B 1/00;
B60B 1/08; B60B 1/10; B60B 1/12
See application file for complete search history.

(56) **References Cited**

U.S. PATENT DOCUMENTS

D395,862 S *	7/1998	Cullen	D12/209
D396,444 S *	7/1998	Neeper	D12/209
D405,043 S *	2/1999	Moreno	D12/209
D420,319 S *	2/2000	Ruslan	D12/209
D421,953 S *	3/2000	Sims	D12/211
D430,842 S *	9/2000	Chinellato	D12/209
D455,991 S *	4/2002	Kaucher	D12/209
D493,132 S *	7/2004	Rivers, Jr.	D12/209

D527,333 S *	8/2006	Blasi	D12/211
D616,799 S *	6/2010	Zhao	D12/209
D617,717 S *	6/2010	Nordmann	D12/211
D655,657 S *	3/2012	Juergens	D12/209
D669,833 S *	10/2012	Pollmann	D12/209
D671,060 S *	11/2012	Baum	D12/209
D671,475 S *	11/2012	Juergens	D12/209
D678,157 S *	3/2013	Perini	D12/209
D683,681 S *	6/2013	Juergens	D12/209
D685,709 S *	7/2013	Hanaoka	D12/209
D688,185 S *	8/2013	Baum	D12/209
D691,081 S *	10/2013	Watkin	D12/211
D695,185 S *	12/2013	Juergens	D12/209
D695,186 S *	12/2013	Pollmann	D12/209
D695,190 S *	12/2013	Goto	D12/209
D695,668 S *	12/2013	Juergens	D12/209
D709,427 S *	7/2014	Clottu	D12/209
D710,286 S *	8/2014	Yamaguchi	D12/209
D715,209 S *	10/2014	Tovey	D12/209
D725,568 S *	3/2015	Hodges	D12/209
D725,569 S *	3/2015	Komukai	D12/209
D726,086 S *	4/2015	Muntada Roura	D12/209
D729,138 S *	5/2015	Davidson	D12/209

* cited by examiner

Primary Examiner — Stacia Cadmus

(74) *Attorney, Agent, or Firm* — Westerman, Hattori, Daniels & Adrian, LLP

(57) **CLAIM**

The ornamental design of a wheel for an automobile, as shown and described.

DESCRIPTION

FIG. 1 is a perspective view of a wheel for an automobile showing my new design; and,

FIG. 2 is a front elevation view thereof.

The de-emphasized and halftone portions shown in the drawings illustrate environmental structure of a wheel for an automobile that form no part of claimed design.

1 Claim, 2 Drawing Sheets

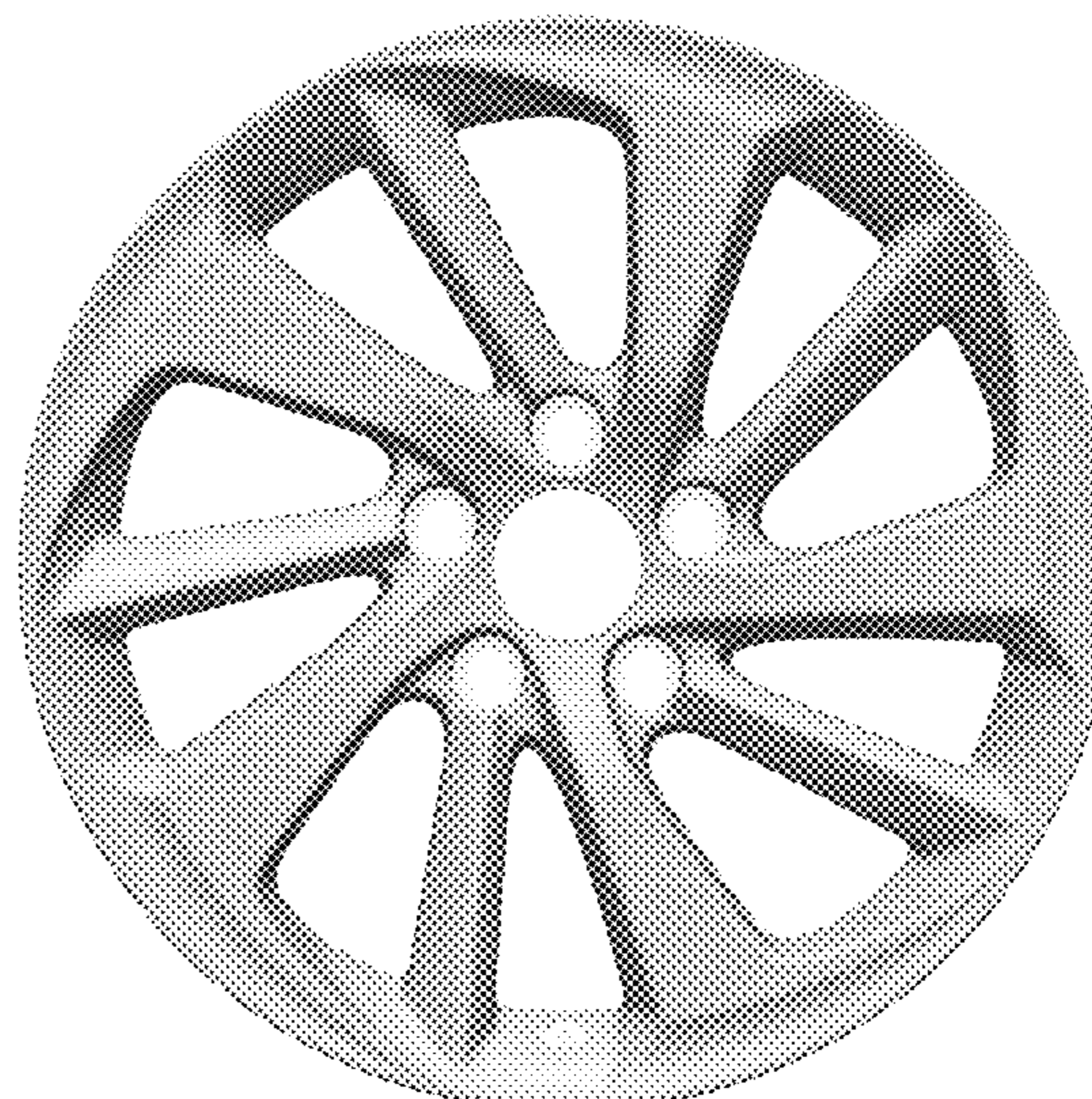
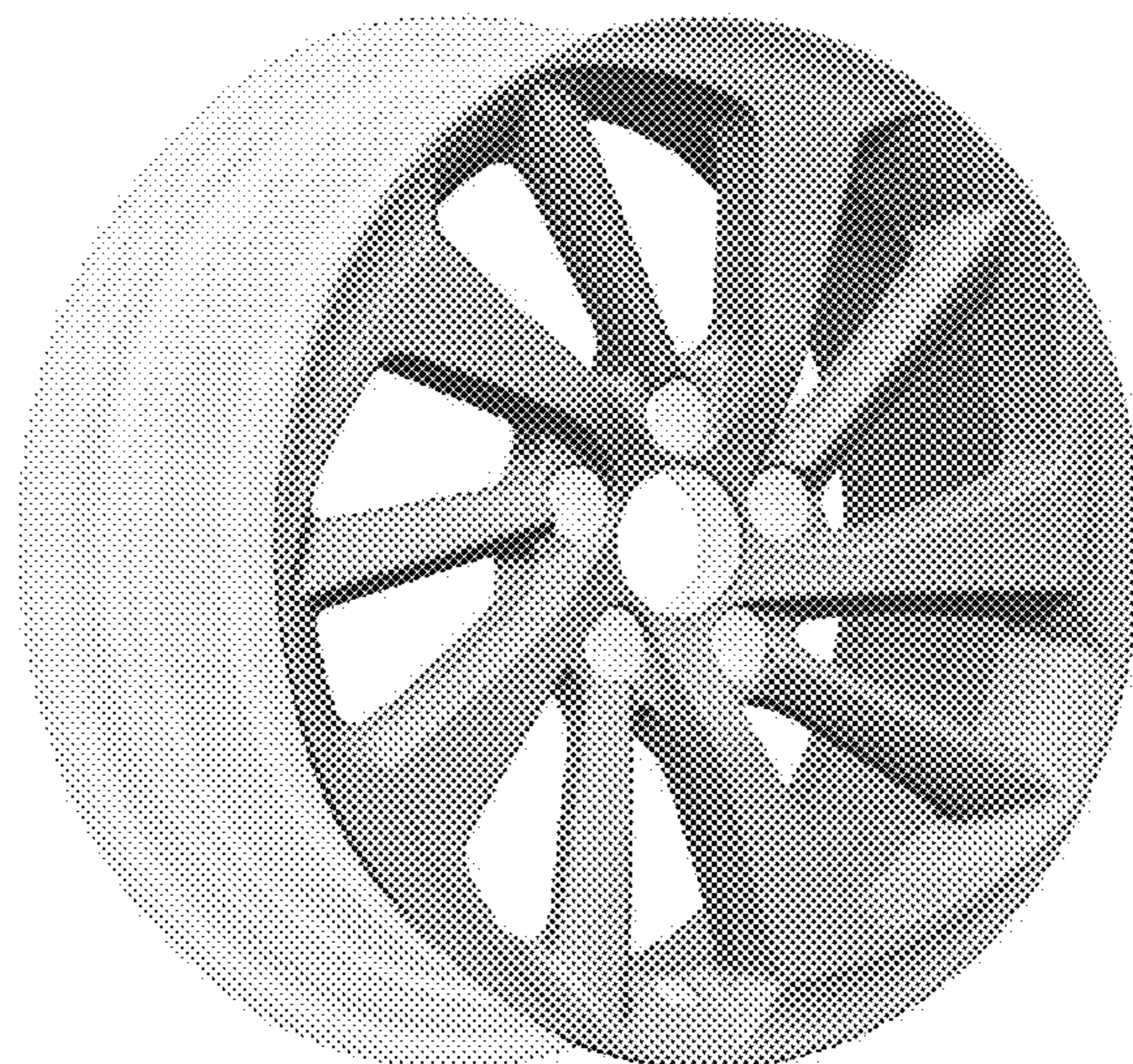




FIG. 1



FIG. 2