



US00D748030S

(12) **United States Design Patent**
Heizmann

(10) **Patent No.:** **US D748,030 S**

(45) **Date of Patent:** **** Jan. 26, 2016**

(54) **VEHICLE WHEEL RIM**

(71) Applicant: **BBS GmbH**, Schiltach (DE)

(72) Inventor: **Karl Heizmann**, Oberwolfach (DE)

(73) Assignee: **BBS GMBH**, Schiltach (DE)

(**) Term: **14 Years**

(21) Appl. No.: **29/483,529**

(22) Filed: **Feb. 28, 2014**

(30) **Foreign Application Priority Data**

Sep. 16, 2013 (WO) DM/081 965

(51) **LOC (10) Cl.** **12-16**

(52) **U.S. Cl.**
USPC **D12/209**

(58) **Field of Classification Search**
USPC D12/204-213
CPC B60B 7/00; B60B 7/02; B60B 7/04;
B60B 7/01; B60B 7/06; B60B 3/02; B60B
3/04; B60B 3/06; B60B 3/10; B60B 1/00;
B60B 1/08; B60B 1/10; B60B 1/12
See application file for complete search history.

(56) **References Cited**

U.S. PATENT DOCUMENTS

D284,000 S 5/1986 Braungart
D329,416 S 9/1992 Braungart et al.
D333,648 S 3/1993 Schwenk
D344,924 S 3/1994 Braungart et al.

(Continued)

FOREIGN PATENT DOCUMENTS

EM 001684507-004 3/2010
EM 002024893-0009 12/2012
JP 2008-7993 3/2008

OTHER PUBLICATIONS

Russian Design Application No. 2014500126, Office Action mailed Jun. 4, 2014, 3 pages—Russian, 3 pages—English, 4 pages—German.

(Continued)

Primary Examiner — Stacia Cadmus

(74) *Attorney, Agent, or Firm* — Andrew F. Young, Esq.; Lackenbach Siegel, LLP

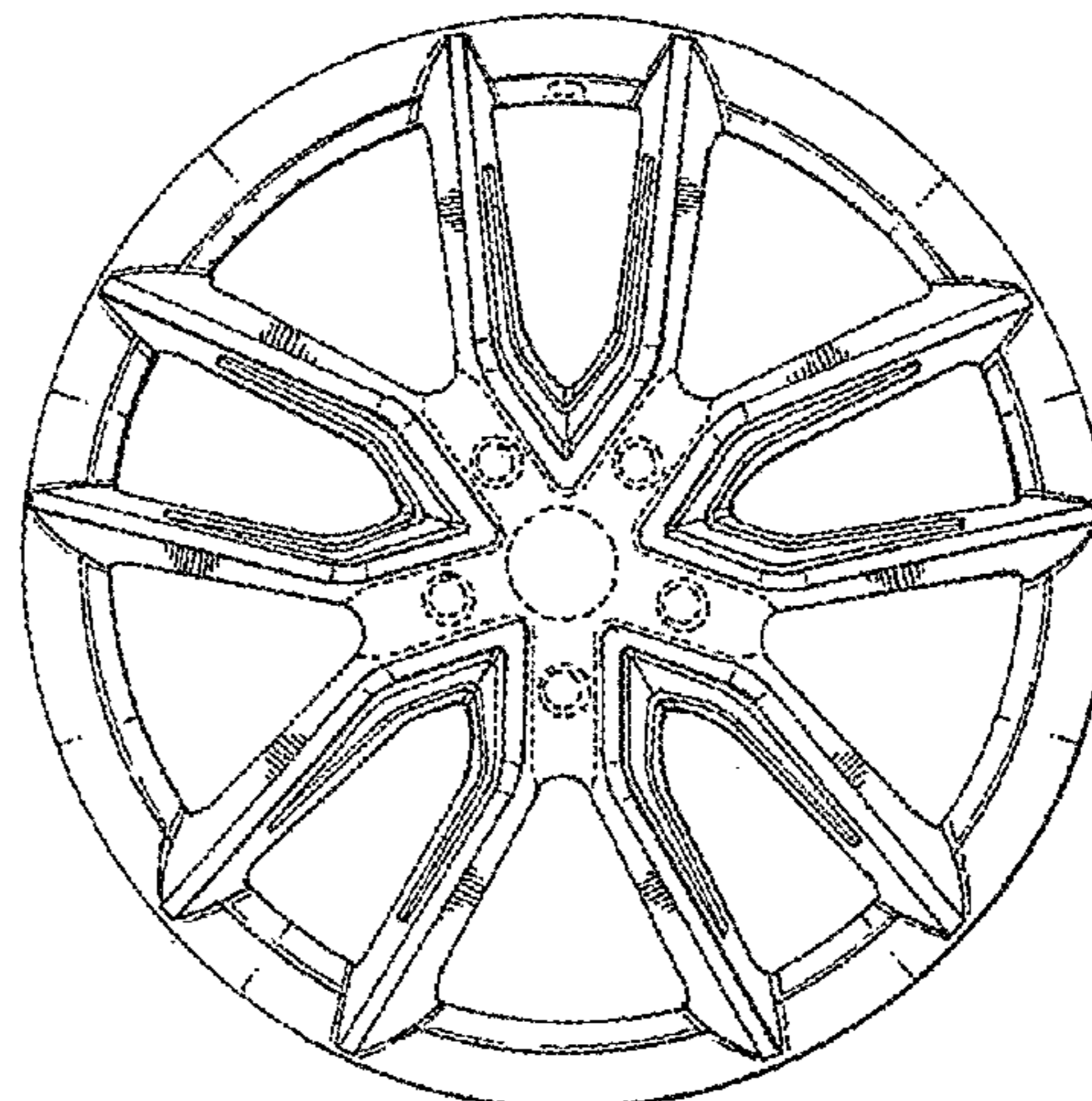
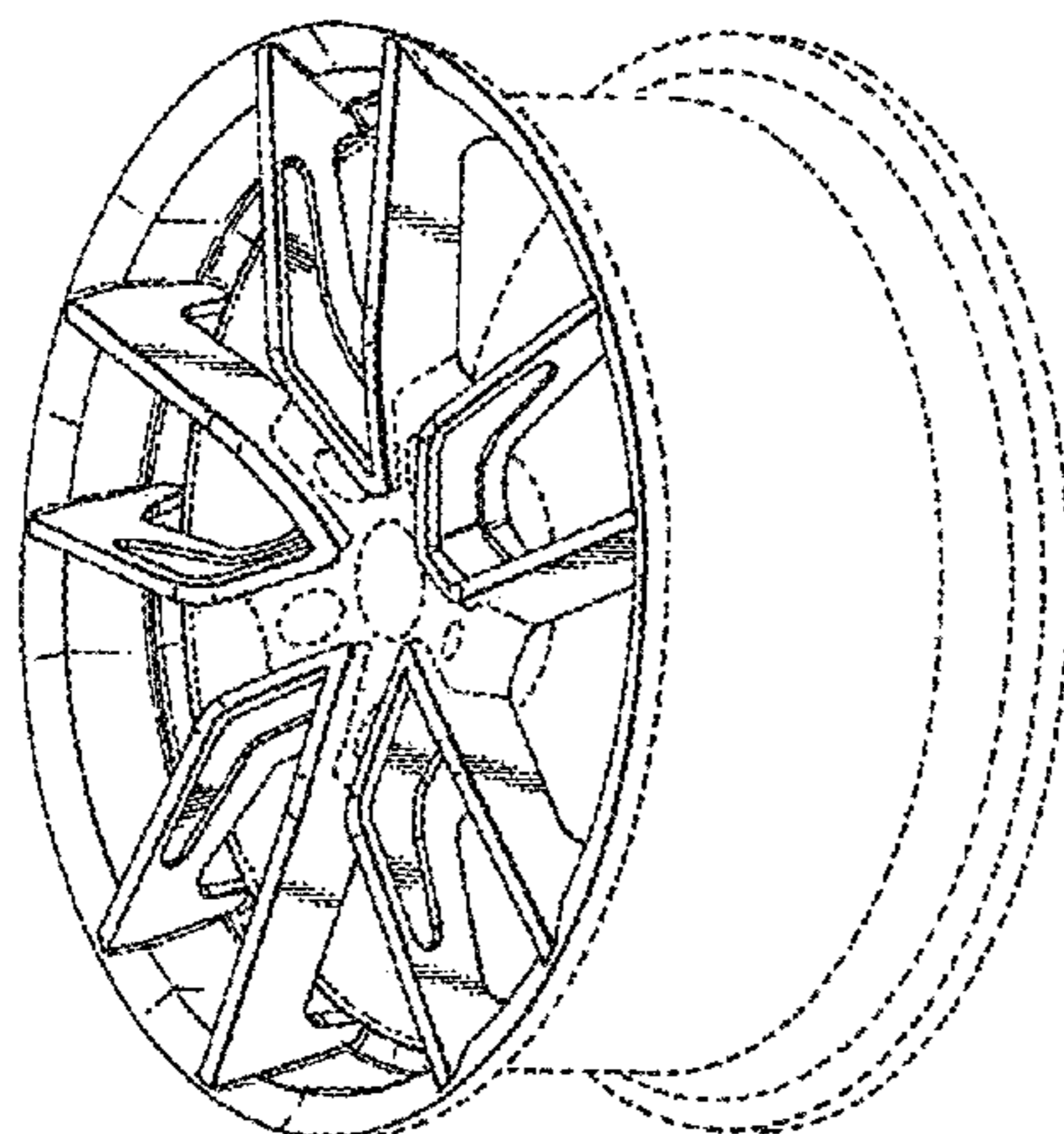
(57) **CLAIM**

The ornamental design for a vehicle wheel rim, as shown and described.

DESCRIPTION

FIG. 1 is a right perspective view of the invention.
FIG. 2 is a front elevation view of FIG. 1.
FIG. 3 is a left perspective view of FIG. 1.
FIG. 4 is a left side elevation view of FIG. 1, the right side, top plan, and bottom plan views being mirror images thereof due to the circular shape.
FIG. 5 is an enlarged partial top perspective view of FIG. 1, as an illustrative aid, noting the details therein.
FIG. 6 is an enlarged partial bottom perspective view of FIG. 1, as an illustrative aid, noting the details therein.
FIG. 7 is a right perspective view of a second embodiment of the invention.
FIG. 8 is a front elevation view of FIG. 7.
FIG. 9 is a left perspective view of FIG. 7.
FIG. 10 is a left side elevation view of FIG. 7, the right side, top plan, and bottom plan views being mirror images thereof due to the circular shape.
FIG. 11 is an enlarged partial top perspective view of FIG. 7, as an illustrative aid, noting the details therein; and,
FIG. 12 is an enlarged partial bottom perspective view of FIG. 7, as an illustrative aid, noting the details therein.
The broken line showing of the rear portion of the rim, the central hub area, the bolt holes, the center hole and the valve stem hole is included for the purpose of illustrating environment and forms no part of the claimed design.

1 Claim, 6 Drawing Sheets



(56)

References Cited

U.S. PATENT DOCUMENTS

D353,571 S 12/1994 Braungart et al.
 D395,270 S 6/1998 Baumgartner et al.
 D396,208 S 7/1998 Baumgartner et al.
 D398,898 S 9/1998 Baumgartner et al.
 D402,251 S * 12/1998 Timm D12/211
 D405,409 S 2/1999 Baumgartner
 D406,092 S 2/1999 Baumgartner
 D417,646 S 12/1999 Baumgartner
 D423,445 S 4/2000 Baumgartner
 D427,558 S 7/2000 Neeper
 D449,812 S * 10/2001 Penzes D12/211
 D471,503 S 3/2003 Baumgartner
 D475,674 S 6/2003 Baumgartner
 D476,283 S 6/2003 Baumgartner
 D488,420 S * 4/2004 Murkett D12/209
 D515,966 S 2/2006 Loy
 D515,996 S 2/2006 Baumgartner
 D528,063 S 9/2006 Schell
 D532,355 S 11/2006 Baumgartner
 D533,825 S 12/2006 Baumgartner
 D539,204 S 3/2007 Pollmann
 D539,724 S 4/2007 Muzzarelli
 D541,202 S 4/2007 Baumgartner
 D542,728 S * 5/2007 Ichinose D12/211

D547,251 S 7/2007 Baum
 D573,932 S 7/2008 Laengerer
 D592,119 S 5/2009 Heizmann
 D596,763 S 7/2009 Chappell
 D597,919 S * 8/2009 Atwell D12/211
 D606,921 S 12/2009 Thorsten
 D606,922 S 12/2009 Thorsten
 D613,657 S * 4/2010 Cortes D12/209
 D620,862 S 8/2010 Pollmann
 D624,861 S 10/2010 Zhao
 D625,675 S * 10/2010 Juergens D12/209
 D626,052 S * 10/2010 Majdandzic D12/209
 D645,390 S 9/2011 De Bono
 D649,102 S 11/2011 Gallert
 D649,103 S 11/2011 Gallert
 D660,763 S * 5/2012 Chan D12/209
 D670,630 S * 11/2012 Flueckiger D12/209
 D673,099 S * 12/2012 Ender D12/211
 D675,143 S * 1/2013 Gebert D12/209
 D689,421 S * 9/2013 Wachter D12/211
 D735,102 S * 7/2015 Swanseger D12/209

OTHER PUBLICATIONS

Japanese Patent Appln. Serial No. 2013-020021, Office Action mailed Jan. 14, 2014, 2 pages—English, 2 pages—Japanese.

* cited by examiner

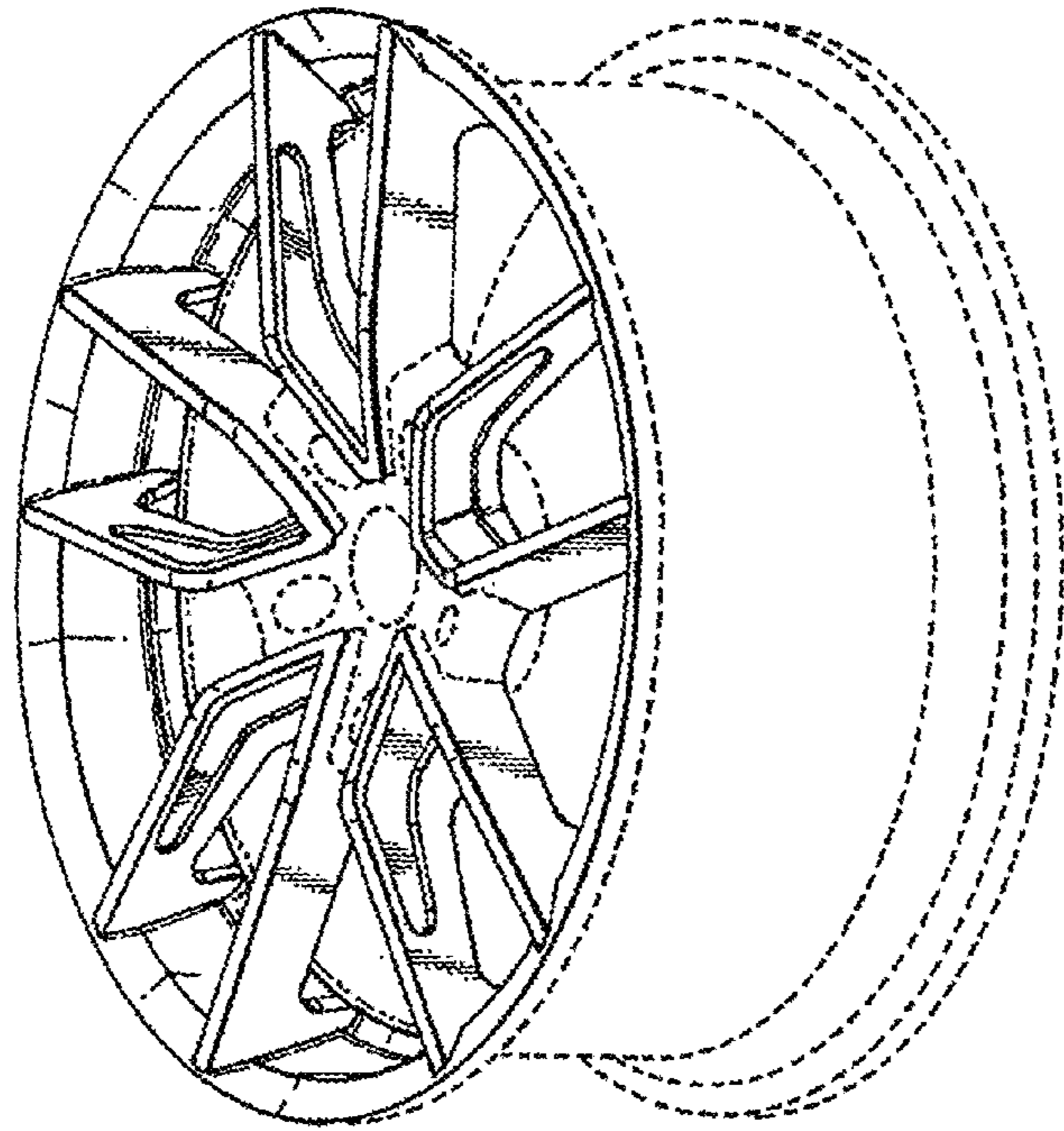


Fig. 1

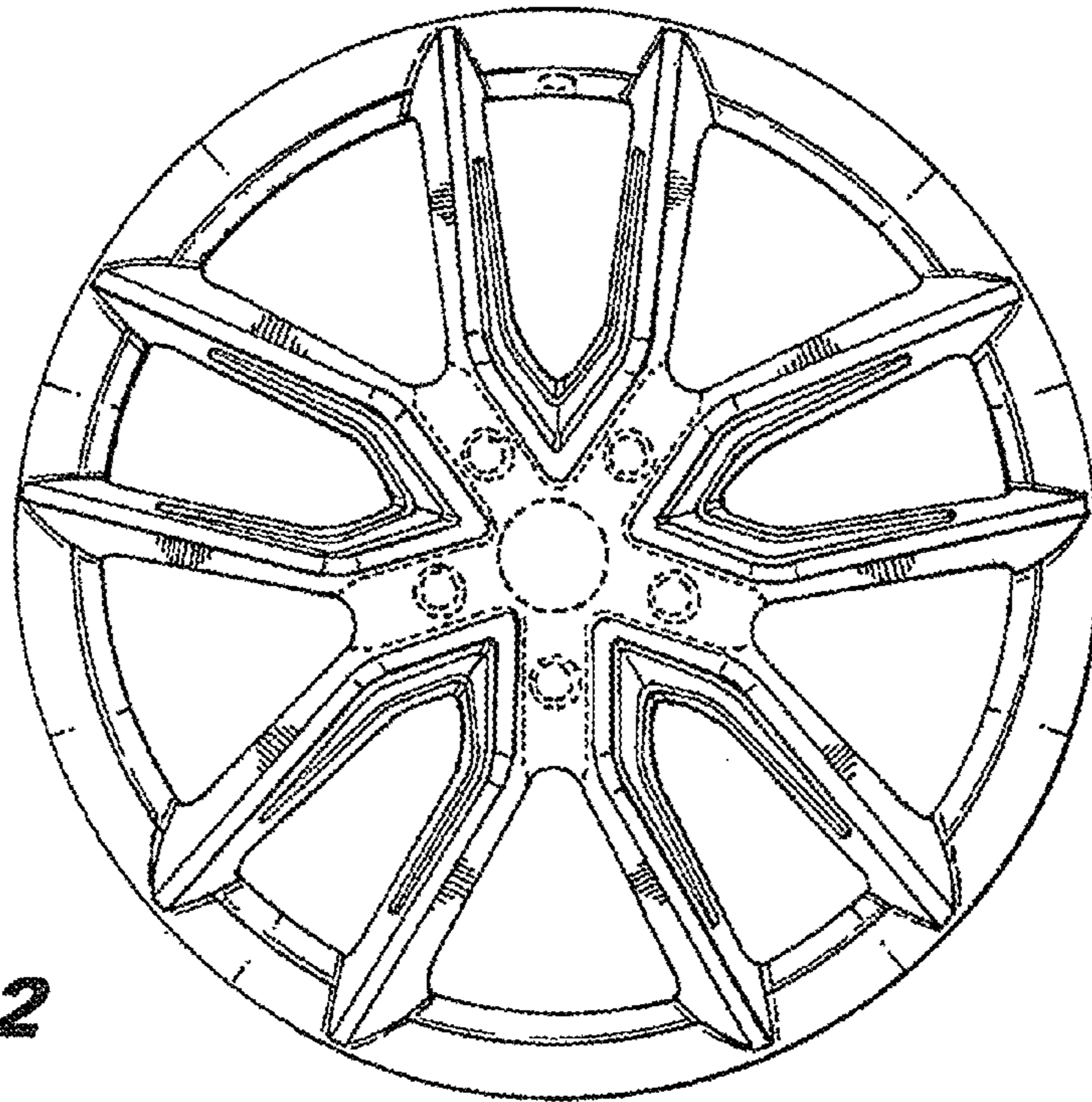


Fig. 2

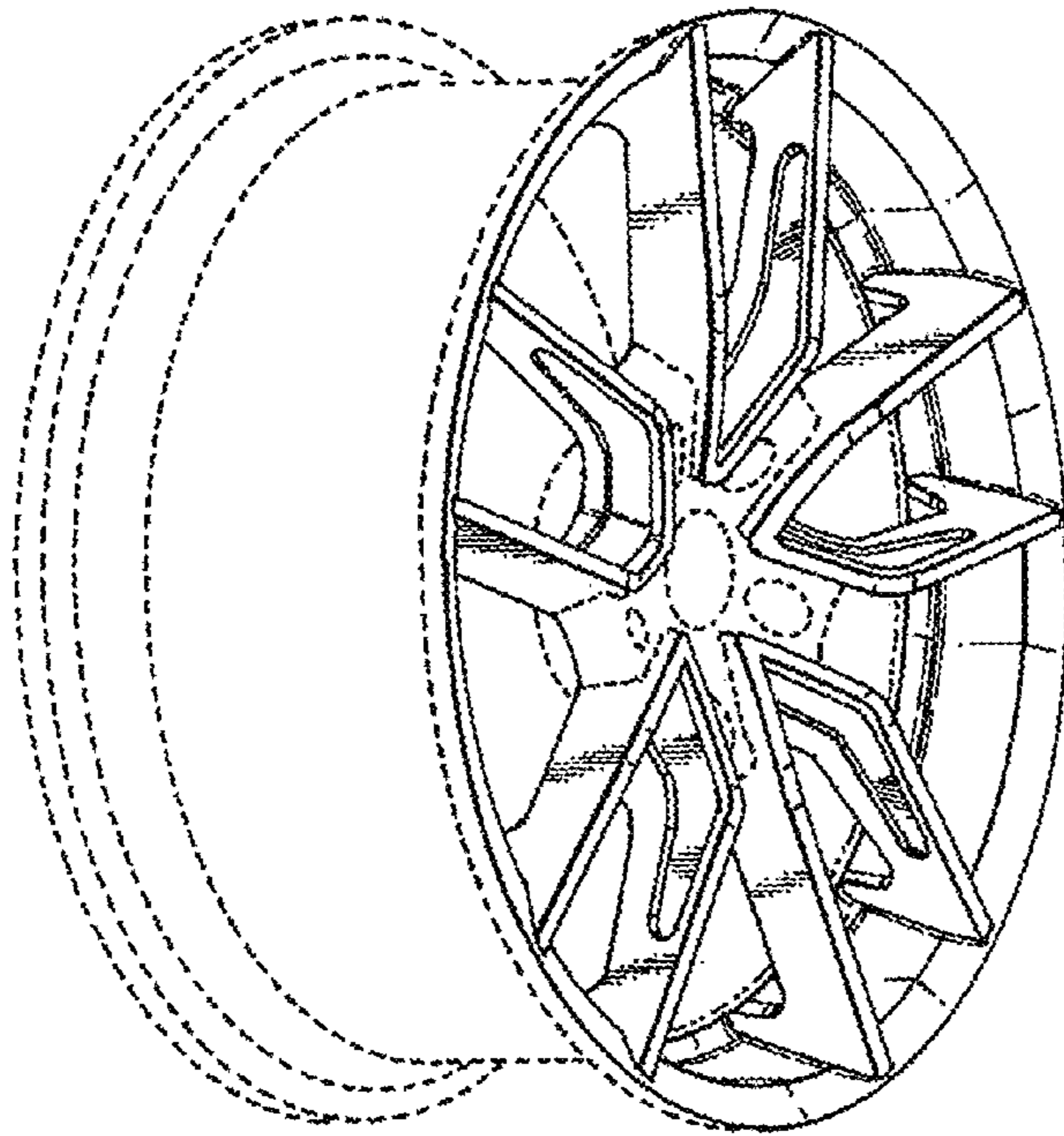


Fig. 3

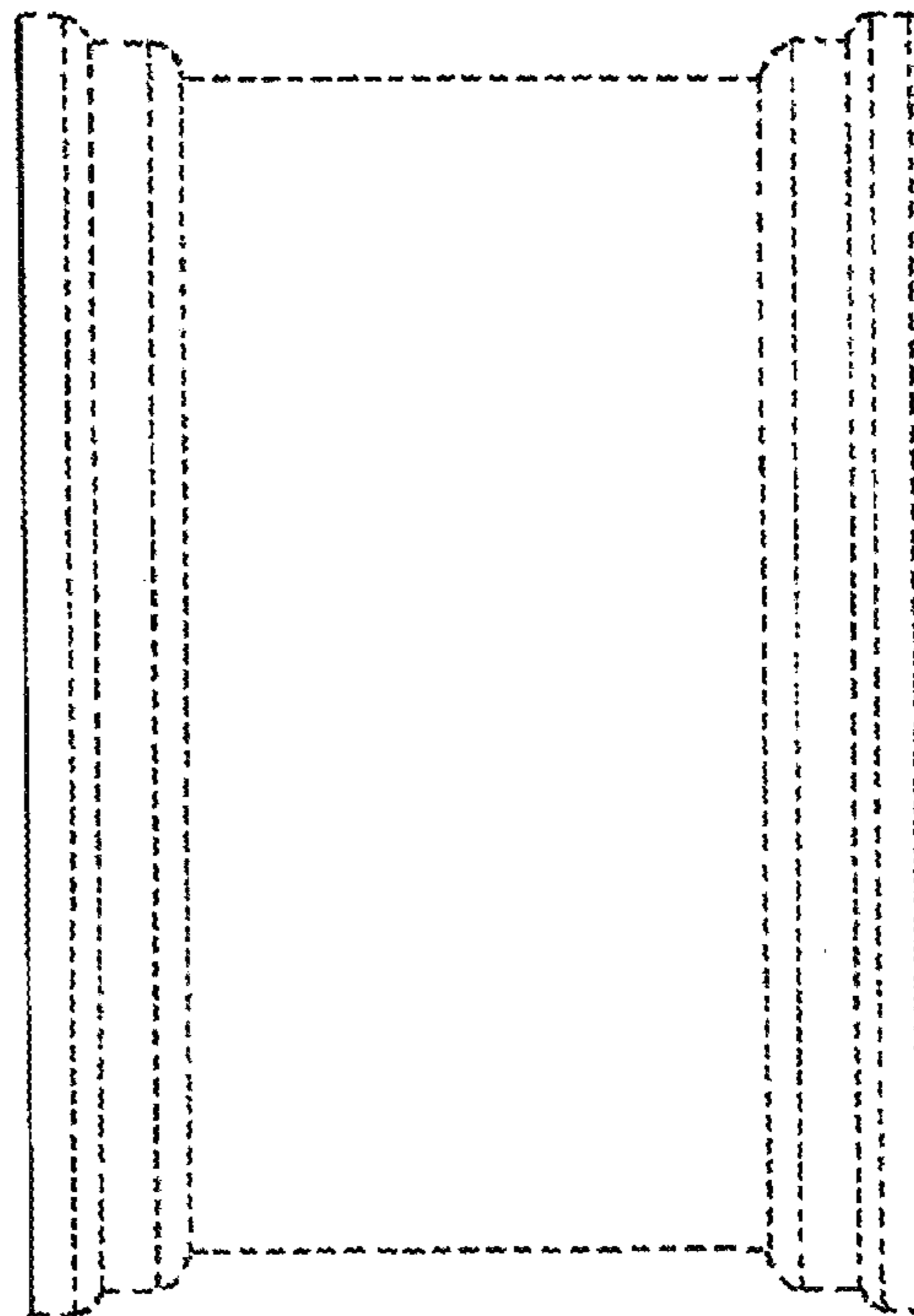


Fig. 4

Fig. 5

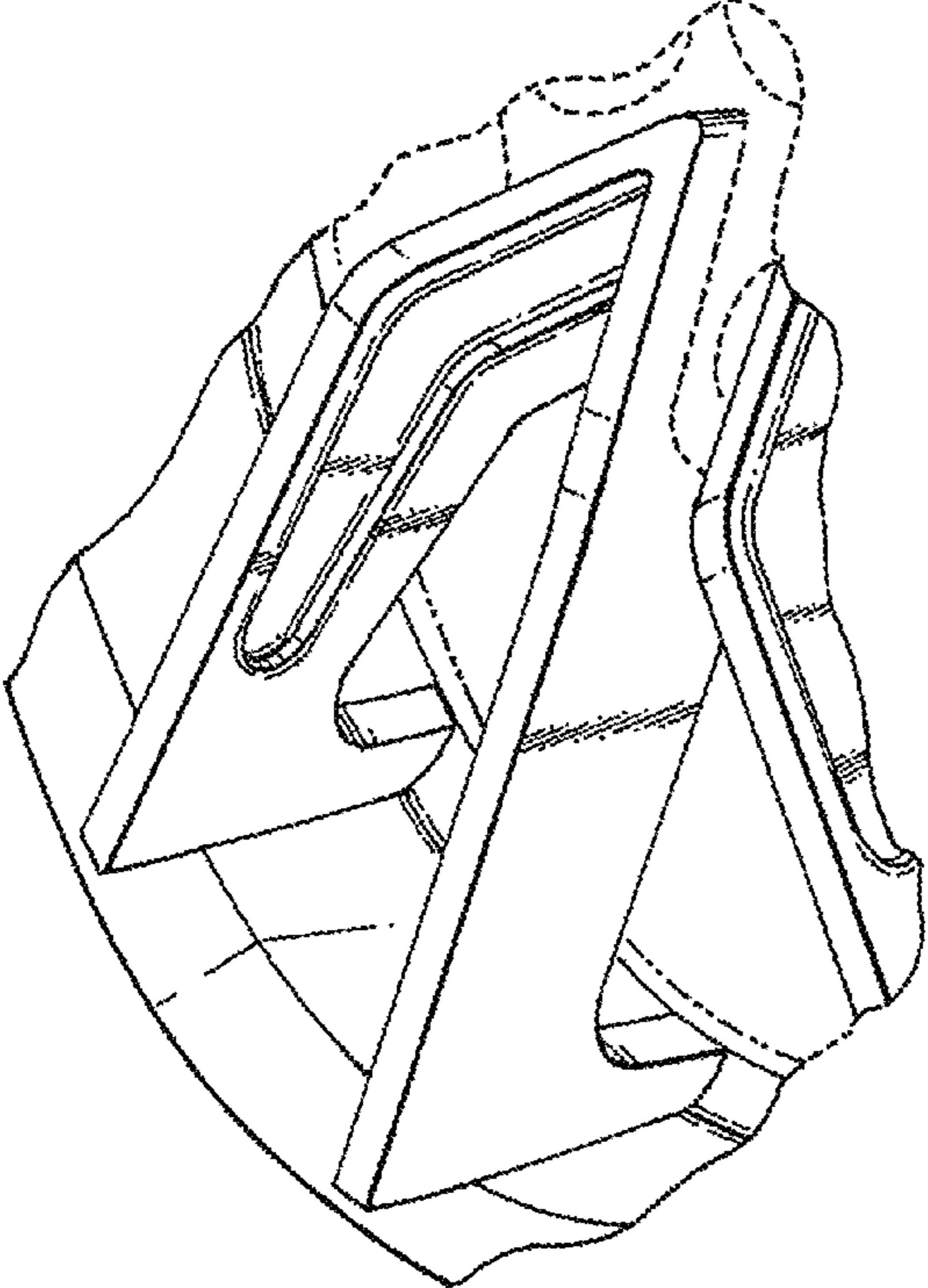
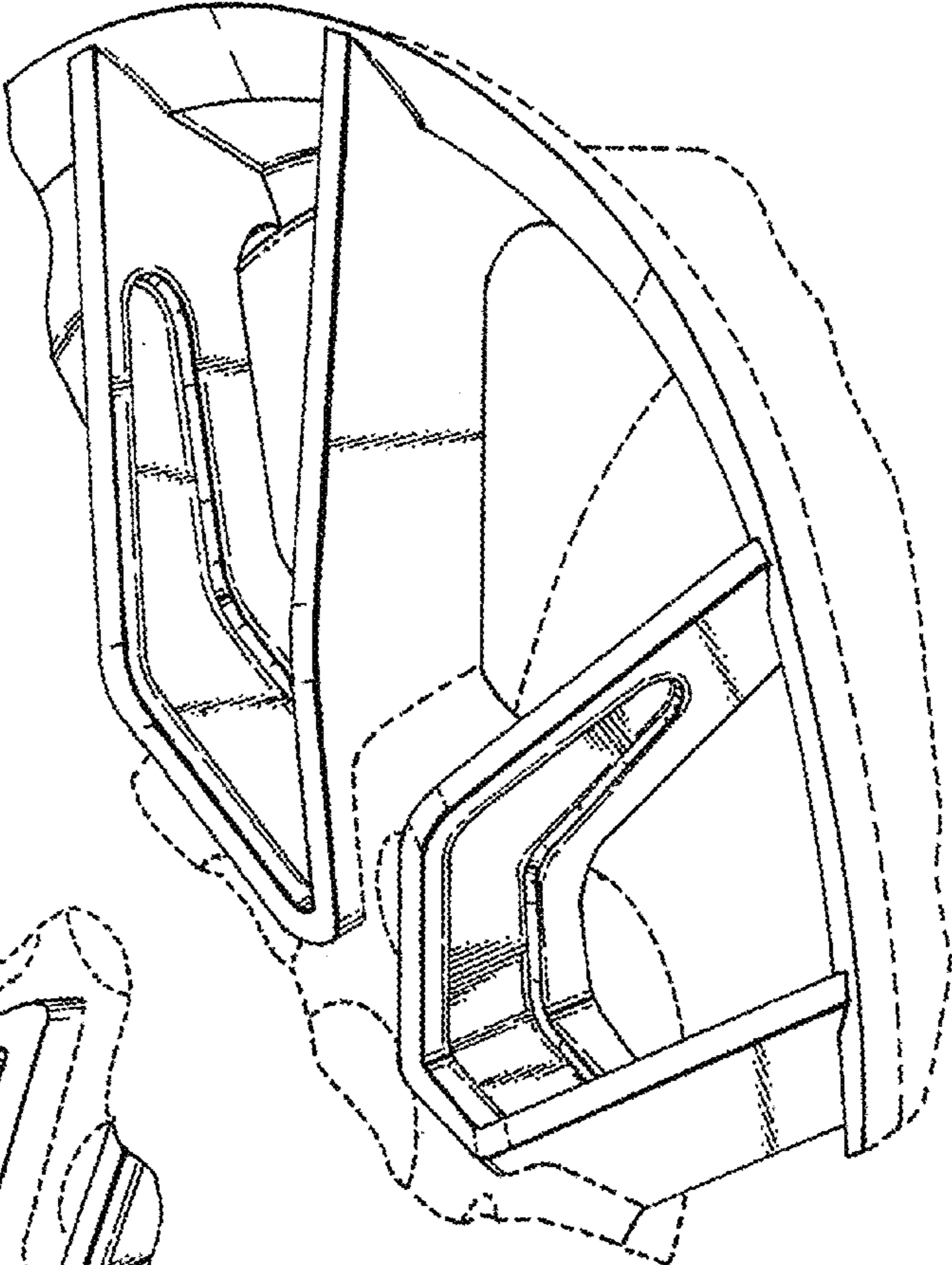


Fig. 6

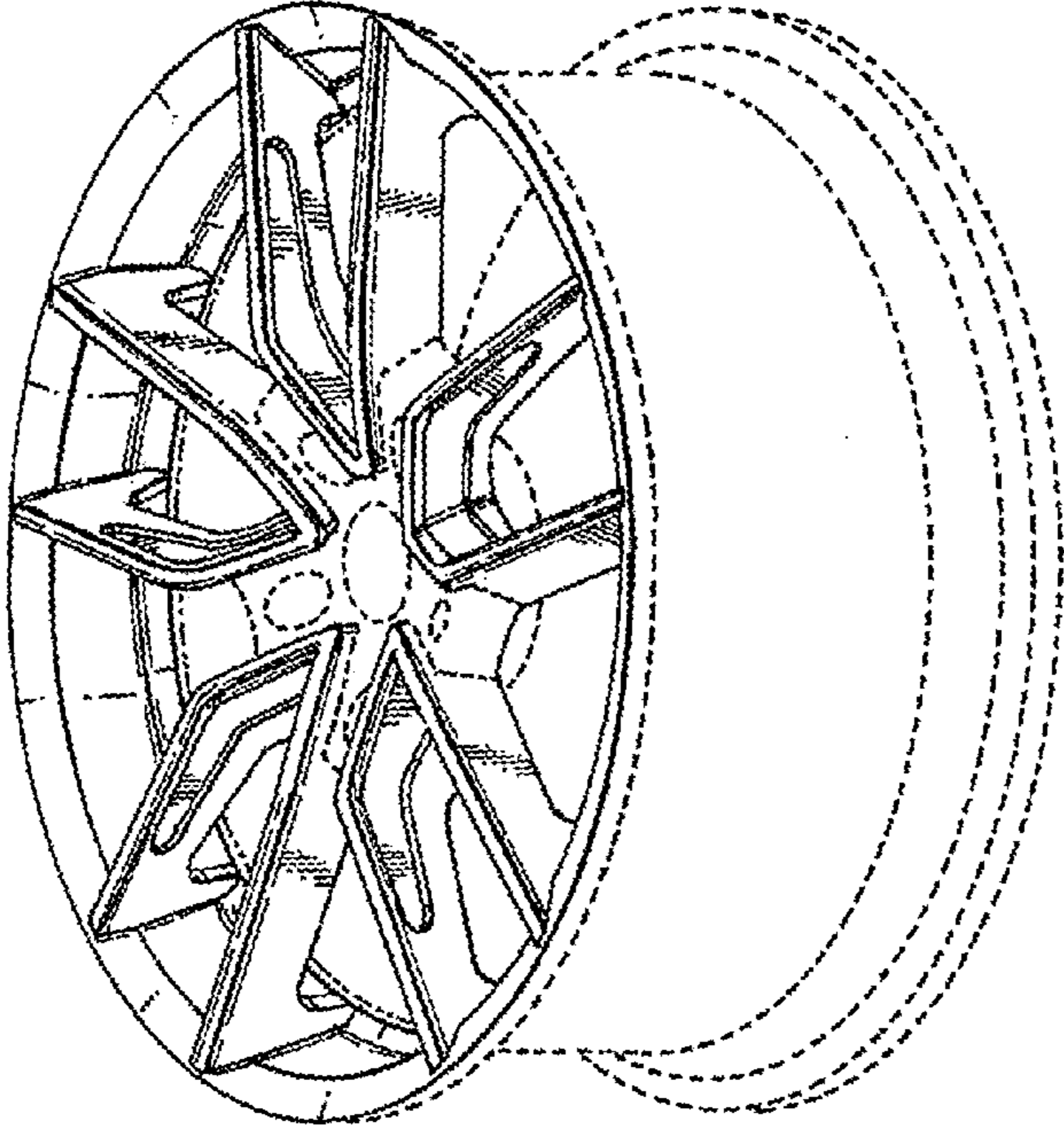


Fig. 7

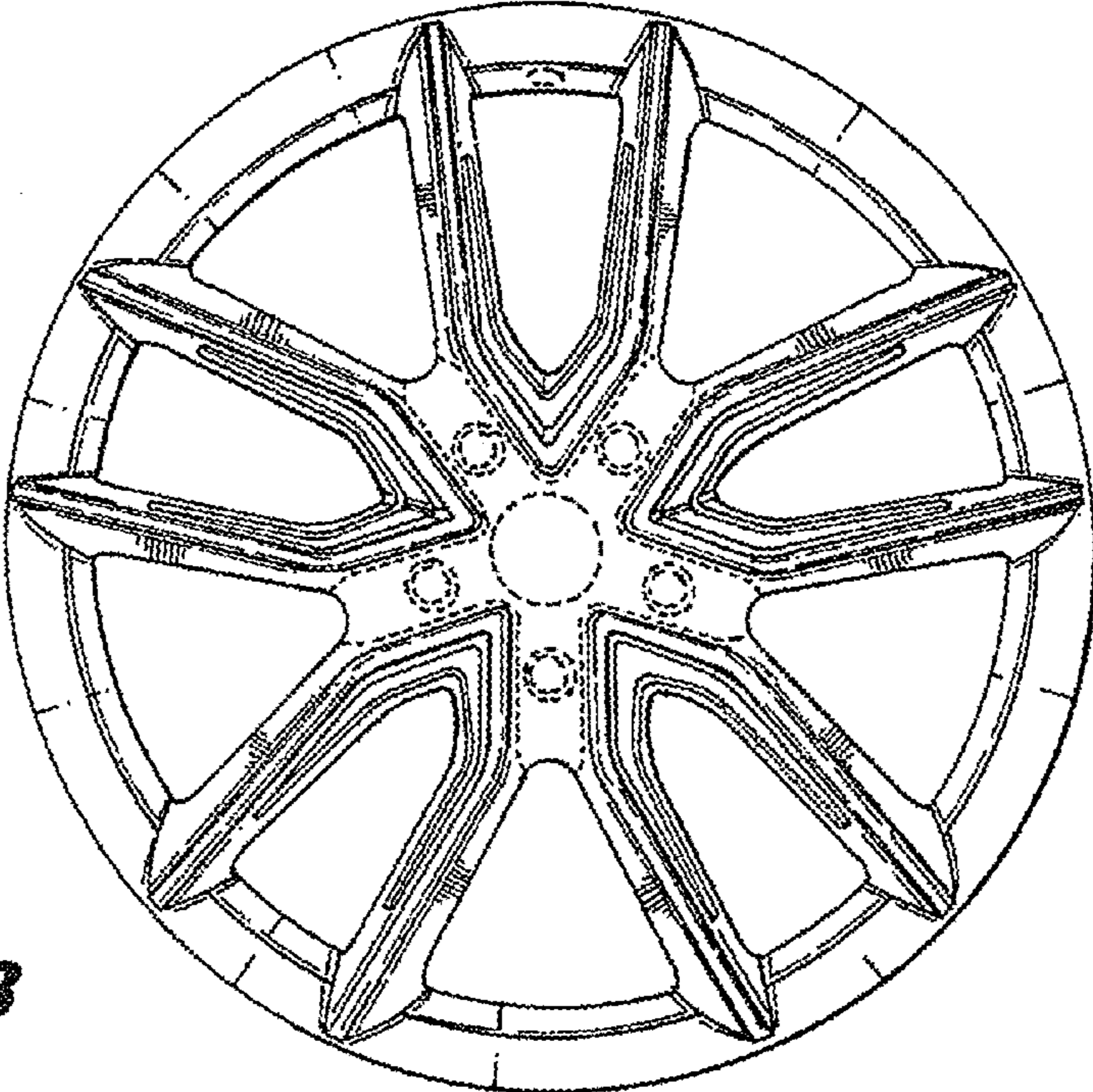


Fig. 8

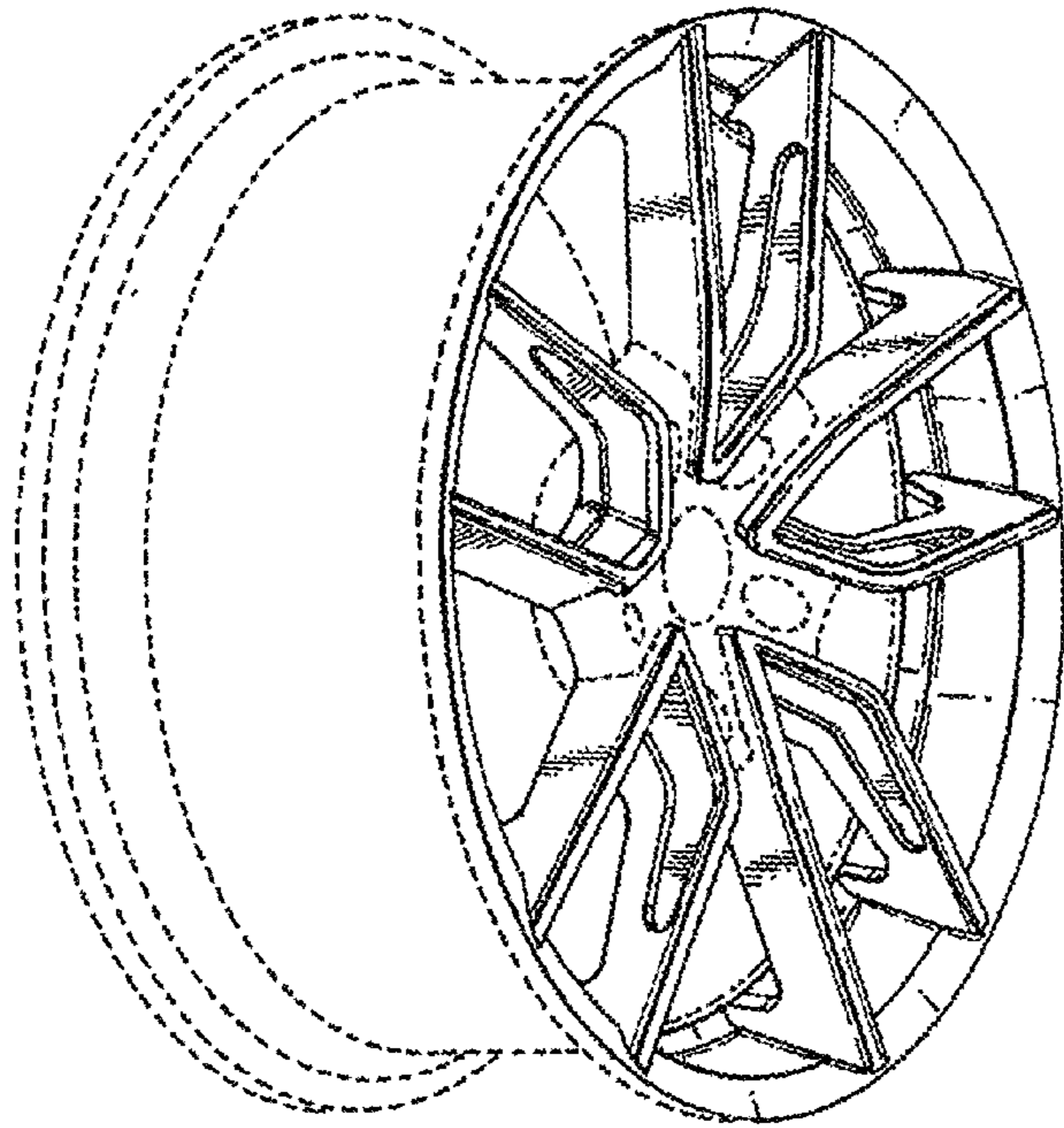


Fig. 9

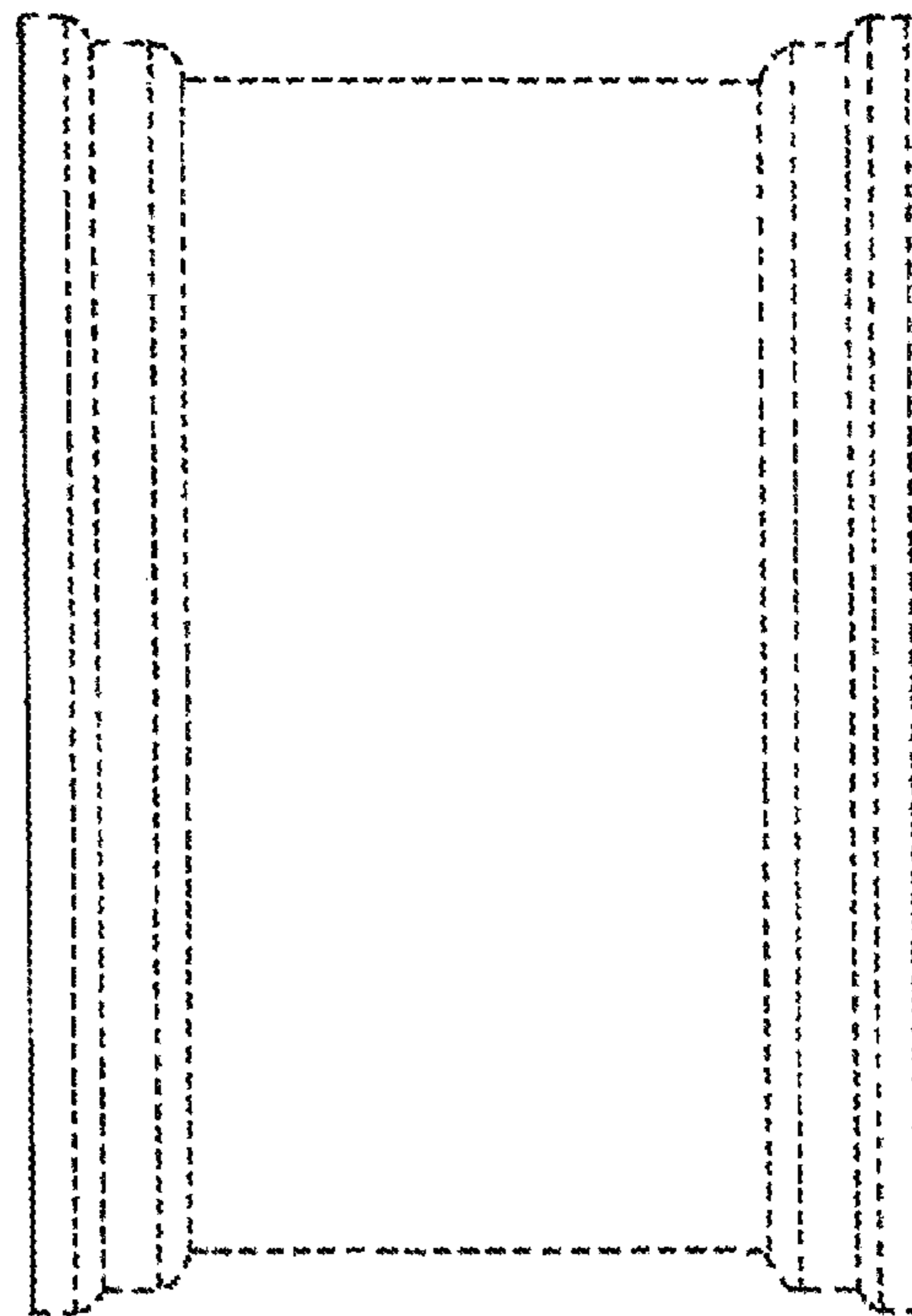


Fig. 10

Fig. 11

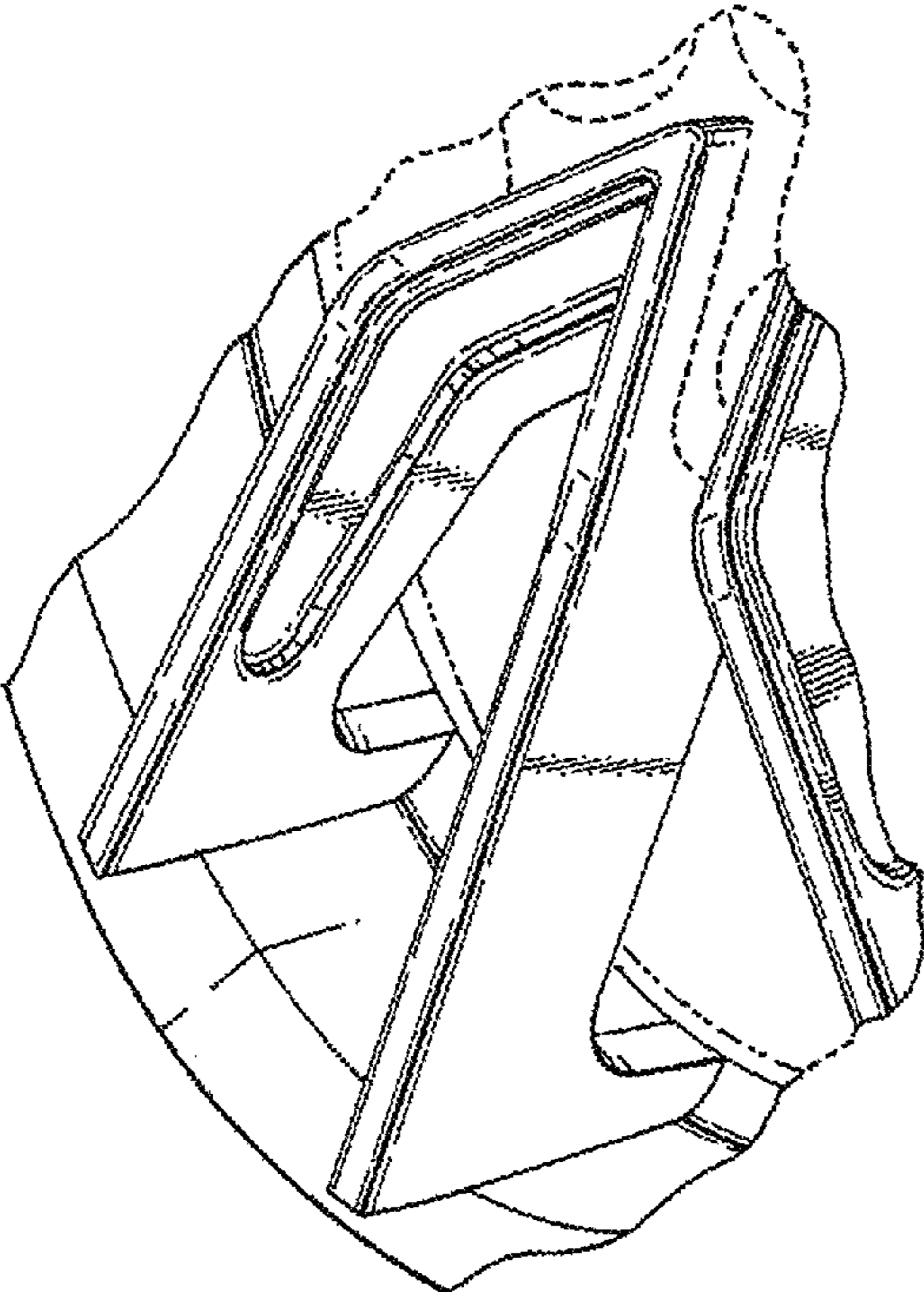
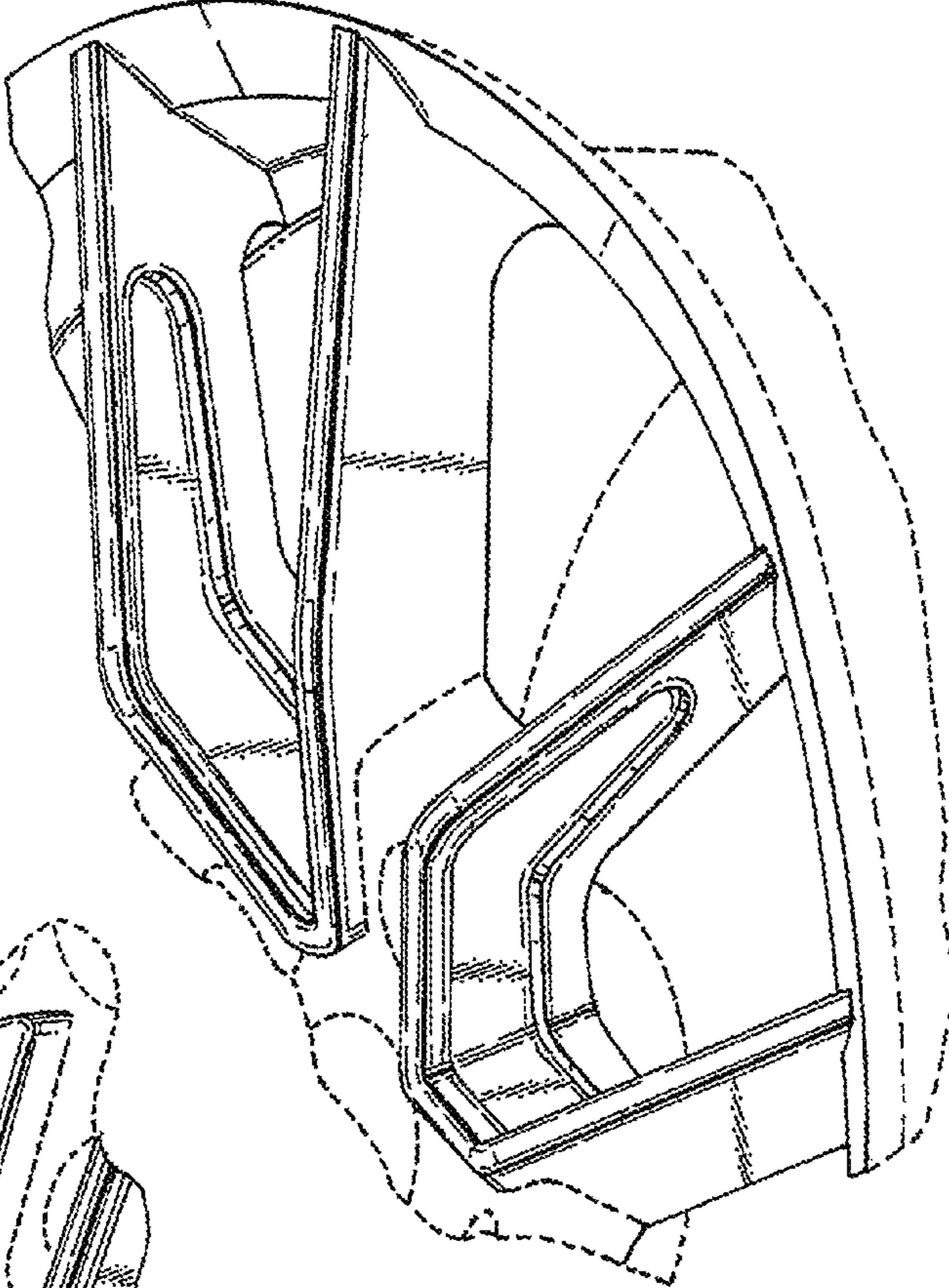


Fig. 12