



US00D748026S

(12) **United States Design Patent**  
**Curic et al.**

(10) **Patent No.:** **US D748,026 S**  
(45) **Date of Patent:** **\*\* Jan. 26, 2016**

(54) **VEHICLE FENDER VENT**

- (71) Applicant: **Ford Motor Company**, Dearborn, MI (US)
- (72) Inventors: **Kemal Curic**, West Bloomfield, MI (US); **Darrell Behmer**, Novi, MI (US); **Christopher Svensson**, Clemsford (GB); **Moray Callum**, Ann Arbor, MI (US); **Joel Piaskowski**, Dusseldorf (DE)
- (73) Assignee: **Ford Motor Company**, Dearborn, MI (US)
- (\*\*) Term: **14 Years**
- (21) Appl. No.: **29/507,177**
- (22) Filed: **Oct. 24, 2014**
- (51) **LOC (10) Cl.** ..... **12-08**
- (52) **U.S. Cl.**  
USPC ..... **D12/190**
- (58) **Field of Classification Search**  
USPC ..... **D12/190, 106, 181, 191, 196, 400, 88**  
CPC ..... **B60R 19/52**  
See application file for complete search history.

(56) **References Cited**

**U.S. PATENT DOCUMENTS**

D497,860 S	*	11/2004	Hoelzel	.....	D12/196
D516,481 S	*	3/2006	Metros	.....	D12/190
D517,965 S	*	3/2006	Metros	.....	D12/190
D545,258 S	*	6/2007	Teng	.....	D12/190
D566,022 S	*	4/2008	Johnson	.....	D12/190
D607,392 S	*	1/2010	Shymkiw	.....	D12/190
D636,712 S	*	4/2011	Shymkiw	.....	D12/190
D659,059 S	*	5/2012	Elmitt	.....	D12/190
D688,611 S	*	8/2013	Liao	.....	D12/190
D688,612 S	*	8/2013	Liao	.....	D12/190
D717,222 S	*	11/2014	Waterman	.....	D12/190

**OTHER PUBLICATIONS**

Ronan Glon. Ford Reveals one-off F-35-Inspired 2015 Mustang GT. Jul. 25, 2014 [online], [retrieved on Aug. 27, 2014] Retrieved from the Internet <URL: <http://www.leftlanenews.com/ford-mustang-gt-f-35-lightening-ii-edition.html>>.

2016 Ford Mustang SVT Spied 'Ring testing once again. [retrieved on Aug. 27, 2014] Retrieved from the Internet <URL: <http://www.worldcarfans.com/114071878374/2013-ford-mustang-svt-spied-ring-testing-once-again.html>>.

\* cited by examiner

*Primary Examiner* — Katrina A Betton

(74) *Attorney, Agent, or Firm* — LeClairRyan

(57) **CLAIM**

The ornamental design for a vehicle fender vent, as shown and described.

**DESCRIPTION**

FIG. 1 is a front and left side perspective view of the left vehicle fender vent;  
 FIG. 2 is a front and left side perspective view thereof;  
 FIG. 3 is a front and right side perspective view thereof;  
 FIG. 4 is a front elevational view thereof;  
 FIG. 5 is a rear elevational view thereof;  
 FIG. 6 is a left side elevational view thereof;  
 FIG. 7 is a right side elevational view thereof;  
 FIG. 8 is a top plan view thereof; and,  
 FIG. 9 is a bottom plan view thereof.

The novel design also includes an embodiment of a right side vehicle fender vent which is mirror symmetrical to the embodiment of FIGS. 1-9 and therefore is not separately illustrated.

**1 Claim, 9 Drawing Sheets**

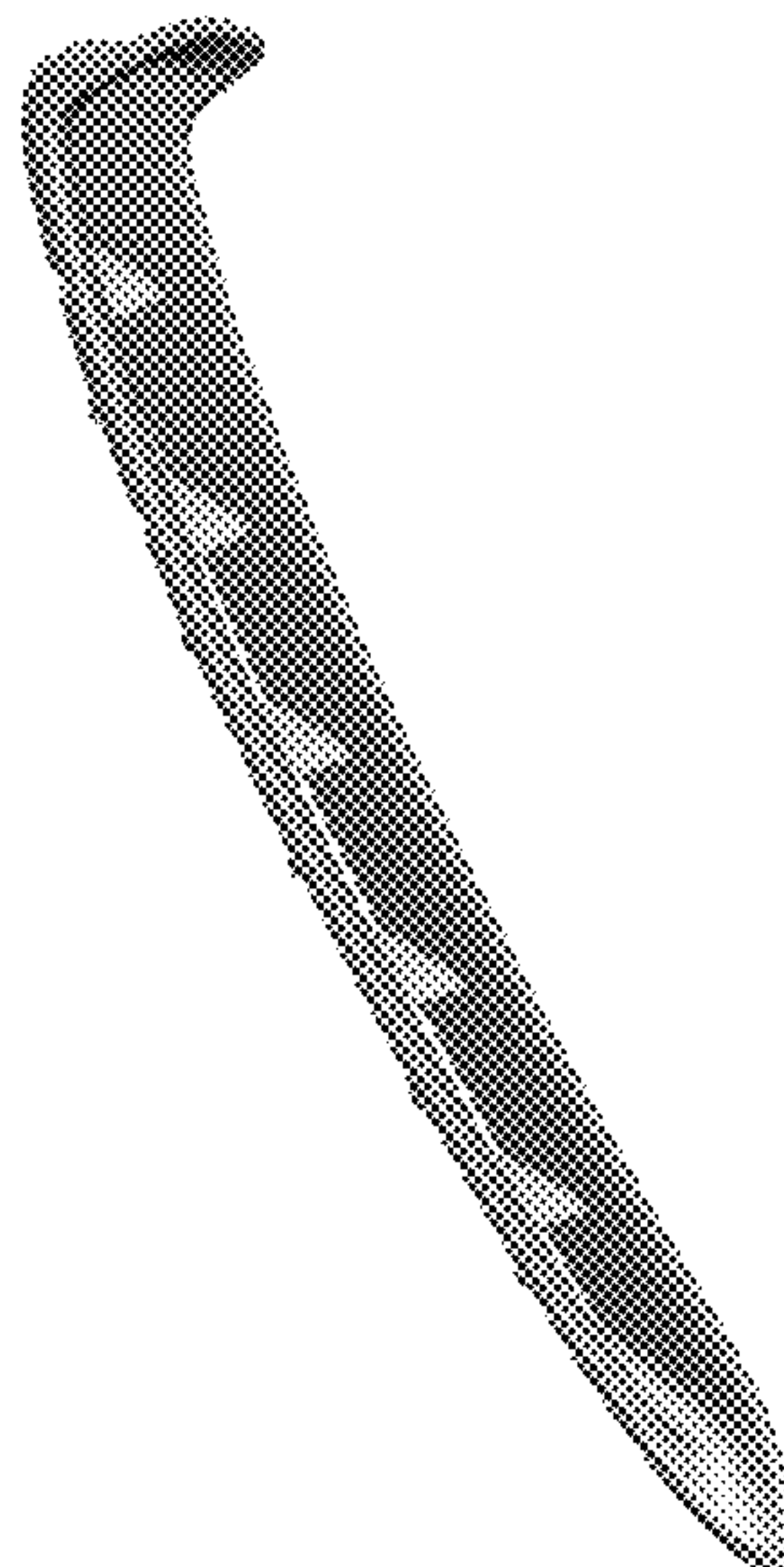


Figure 1

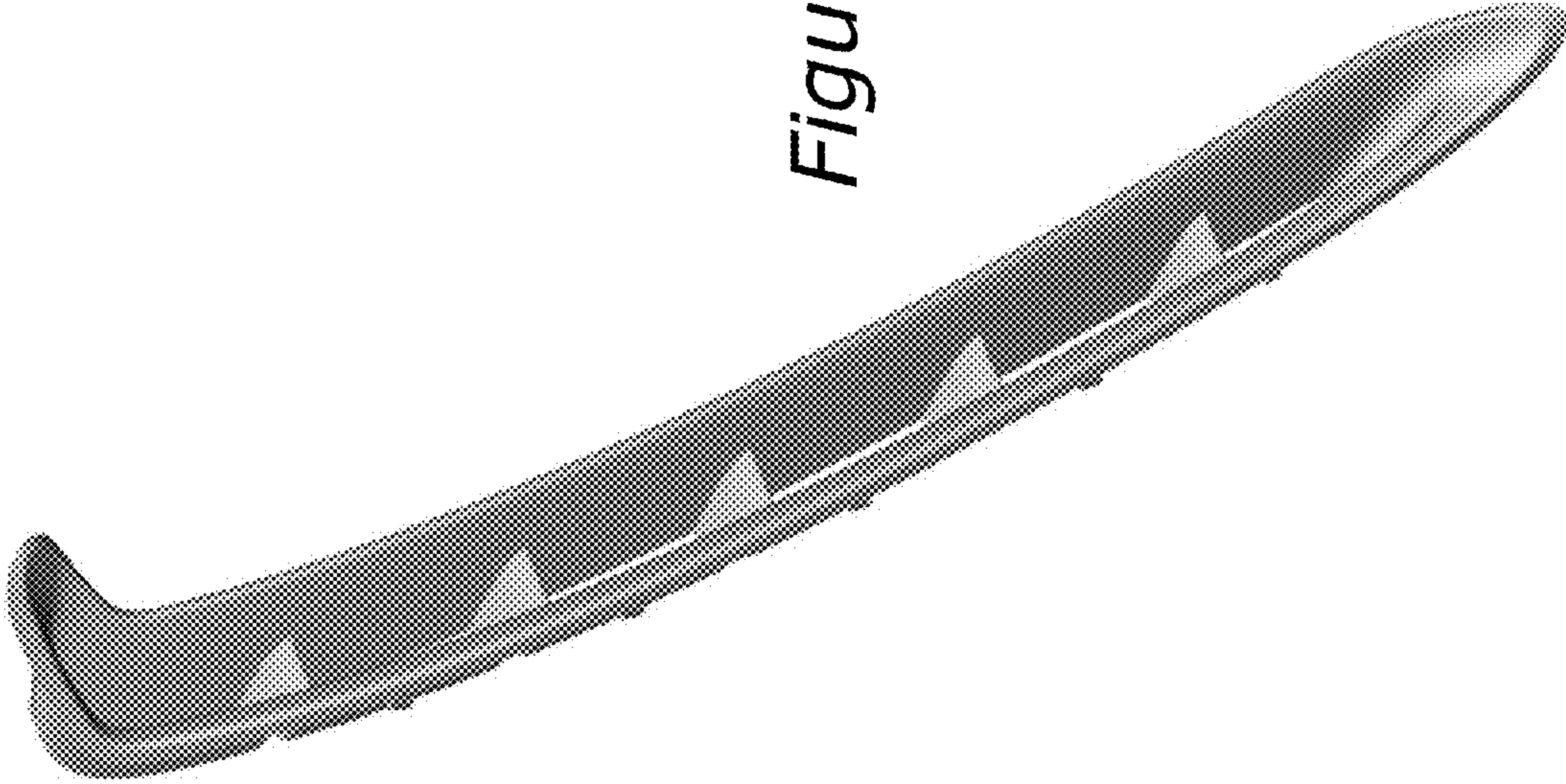
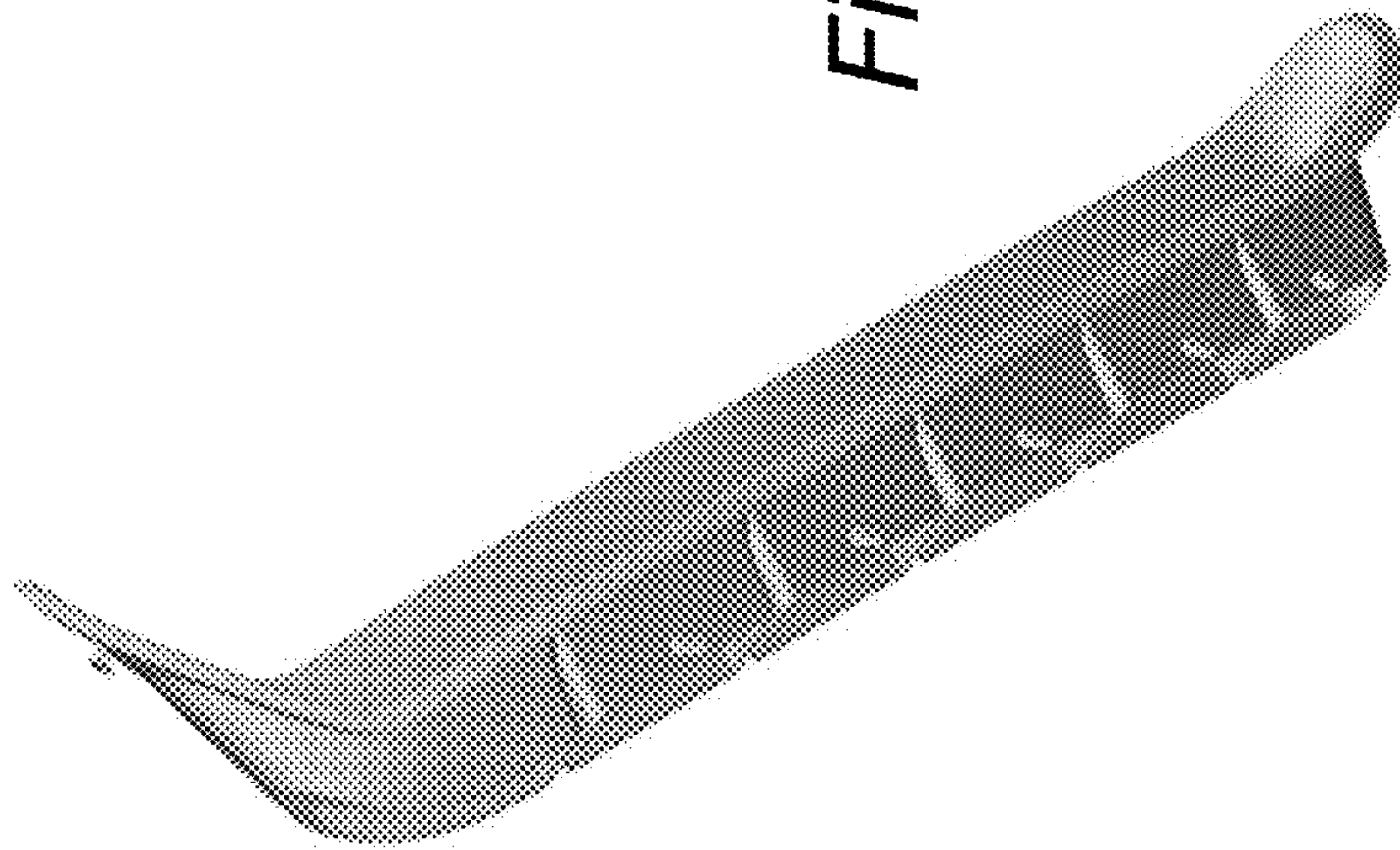


Figure 2



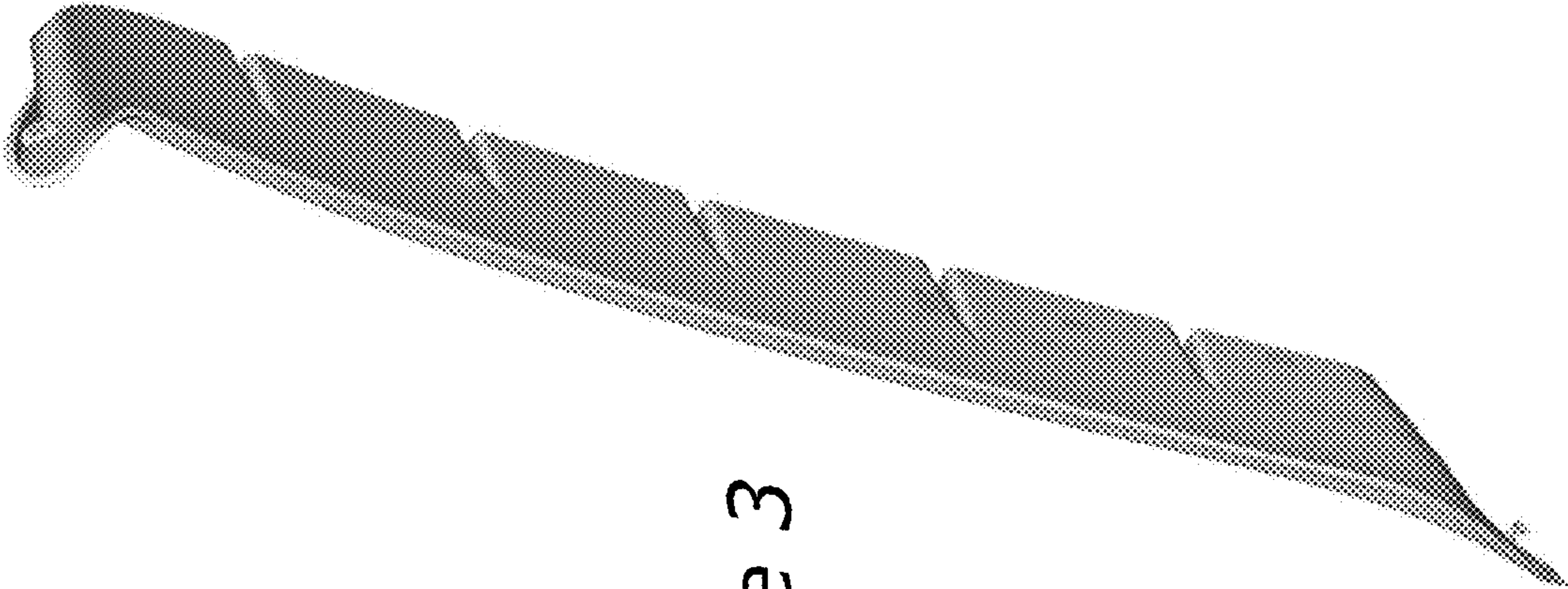


Figure 3

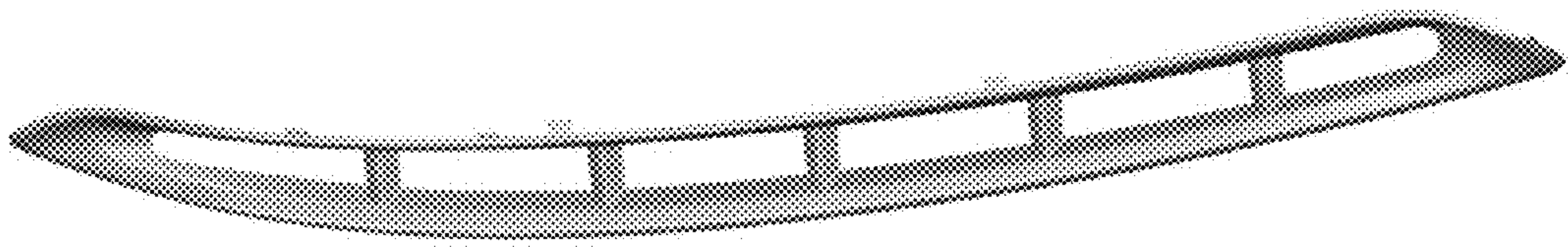


Figure 4



Figure 5

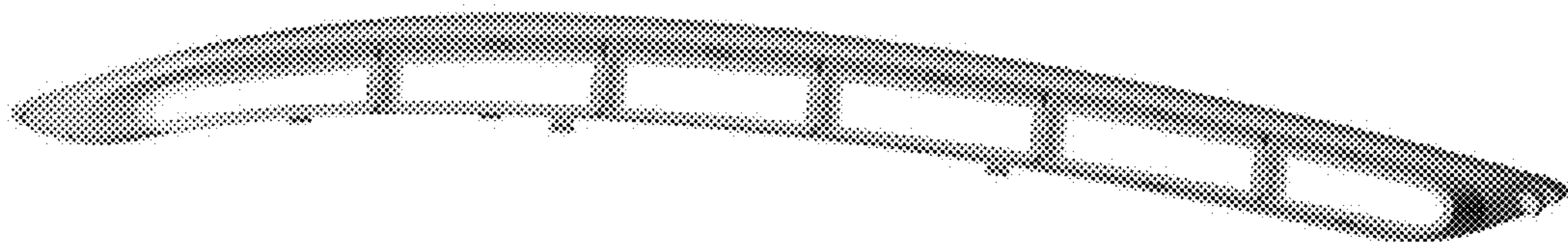
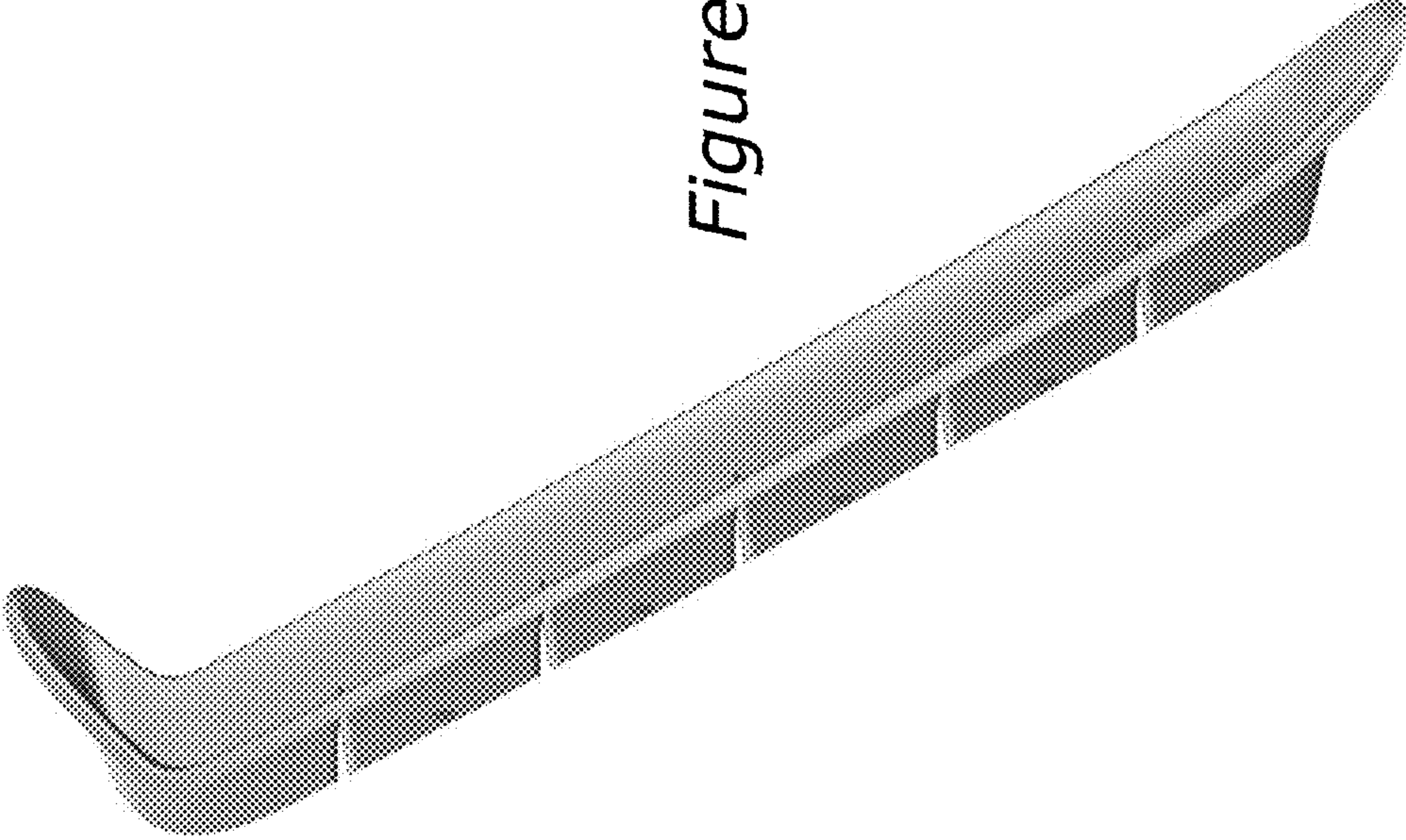


Figure 6



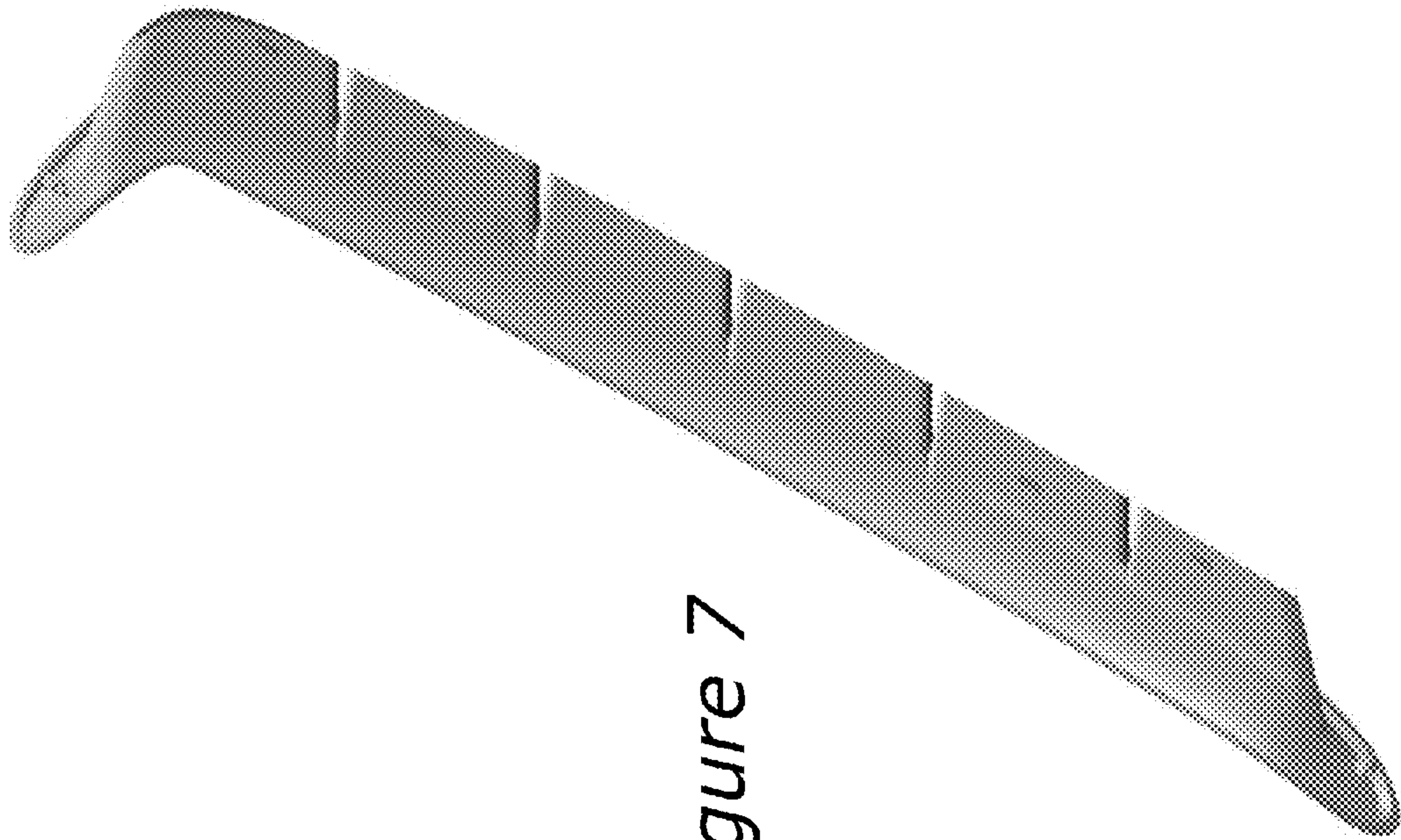


Figure 7



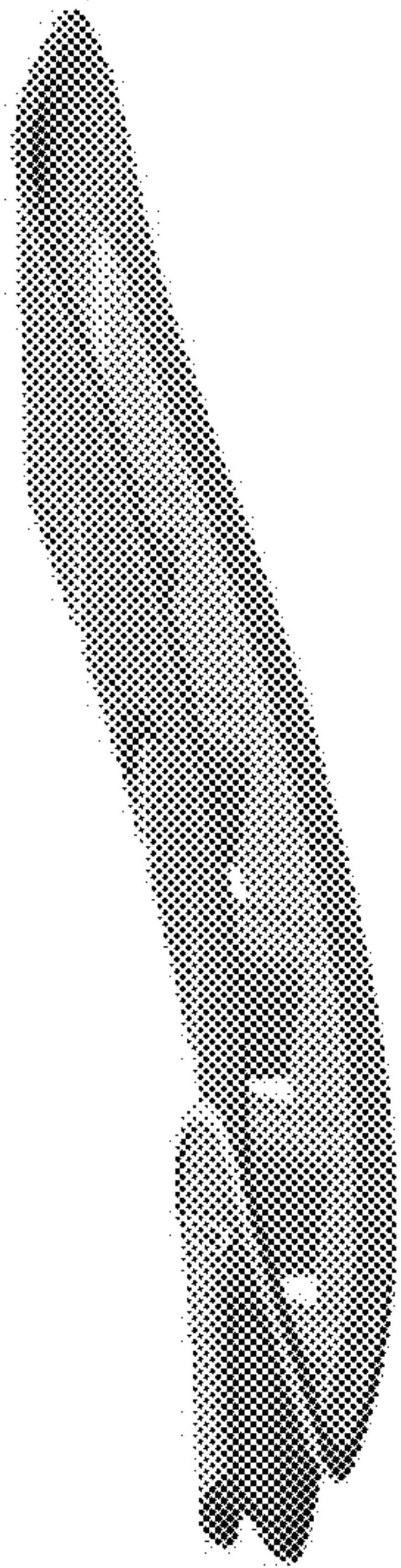


Figure 8

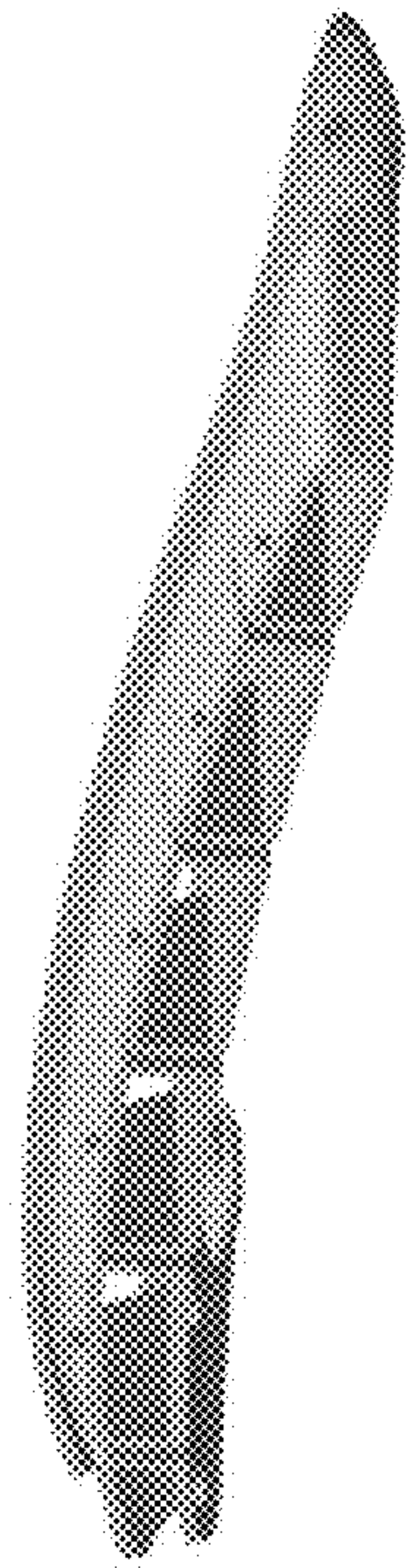


Figure 9