



US00D748020S

(12) **United States Design Patent**
Behmer et al.

(10) **Patent No.:** **US D748,020 S**
(45) **Date of Patent:** **** Jan. 26, 2016**

(54) **VEHICLE FRONT LOWER BUMPER COVER**

(71) Applicant: **Ford Motor Company**, Dearborn, MI (US)

(72) Inventors: **Darrell Behmer**, Novi, MI (US); **Henry Bernardo**, Southfield, MI (US); **Damon Depeyster**, Northville, MI (US)

(73) Assignee: **Ford Motor Company**, Ford Motor Company

(**) Term: **14 Years**

(21) Appl. No.: **29/508,852**

(22) Filed: **Nov. 12, 2014**

(51) **LOC (10) Cl.** **12-16**

(52) **U.S. Cl.**
USPC **D12/169**

(58) **Field of Classification Search**
USPC D12/86, 90, 91, 92, 163, 164, 169, 171, D12/196, 216; 180/68.4, 68.6; 293/102, 293/112, 113, 115, 117, 120; 296/180.1, 296/180.2

CPC B60R 19/02; B60R 19/18; B60R 19/24; B60R 19/56; B60R 2019/007; B62D 25/0845
See application file for complete search history.

(56) **References Cited**

U.S. PATENT DOCUMENTS

D448,330 S *	9/2001	Tampi	D12/169
D452,206 S *	12/2001	Fujii	D12/169
D539,711 S *	4/2007	Fujimaki	D12/169
D607,382 S *	1/2010	Nakahara	D12/169
D610,502 S	2/2010	Bucher et al.		
D618,599 S *	6/2010	Miyazawa	D12/169
D633,419 S *	3/2011	Peltola	D12/169
D644,970 S *	9/2011	Messale	D12/169
D701,800 S *	4/2014	Campbell	D12/169
D701,803 S *	4/2014	Campbell	D12/169
D708,996 S *	7/2014	Ito	D12/169
D711,295 S *	8/2014	Mackay	D12/169
D726,604 S *	4/2015	Grake	D12/169

2008/0079271 A1 *	4/2008	Maruko	B60R 19/52 293/102
2009/0115205 A1 *	5/2009	Steller	B60R 19/12 293/115
2009/0243315 A1 *	10/2009	Goldsberry	B60R 19/18 293/155
2011/0049913 A1 *	3/2011	Bernt	B62D 35/005 293/102
2012/0292931 A1 *	11/2012	Mizoguchi	B60R 19/24 293/102
2013/0134740 A1 *	5/2013	Hirose	B60K 11/08 296/193.1
2014/0292006 A1 *	10/2014	Francis	B60R 19/18 293/107
2015/0015005 A1 *	1/2015	Shin	B60R 19/18 293/120
2015/0136512 A1 *	5/2015	Tashiro	B60R 21/34 180/271

OTHER PUBLICATIONS

Jason Udy. Spied: Refreshed 2016 Ford Explorer Loses Some Camo. Oct. 11, 2014 [online], [retrieved on Nov. 3, 2014] Retrieved from the Internet <URL: http://wot.motortrend.com/1410_spied_refreshed_2016_ford_explorer_loses_some_camo.html>.
2016 Ford Explorer SUV Review. [retrieved on Nov. 3, 2014] Retrieved from the Internet <URL: <http://www.edmunds.com/ford/explorer/2016/>>.

* cited by examiner

Primary Examiner — Philip S Hyder

Assistant Examiner — Darlington Ly

(74) *Attorney, Agent, or Firm* — Damian Porcari

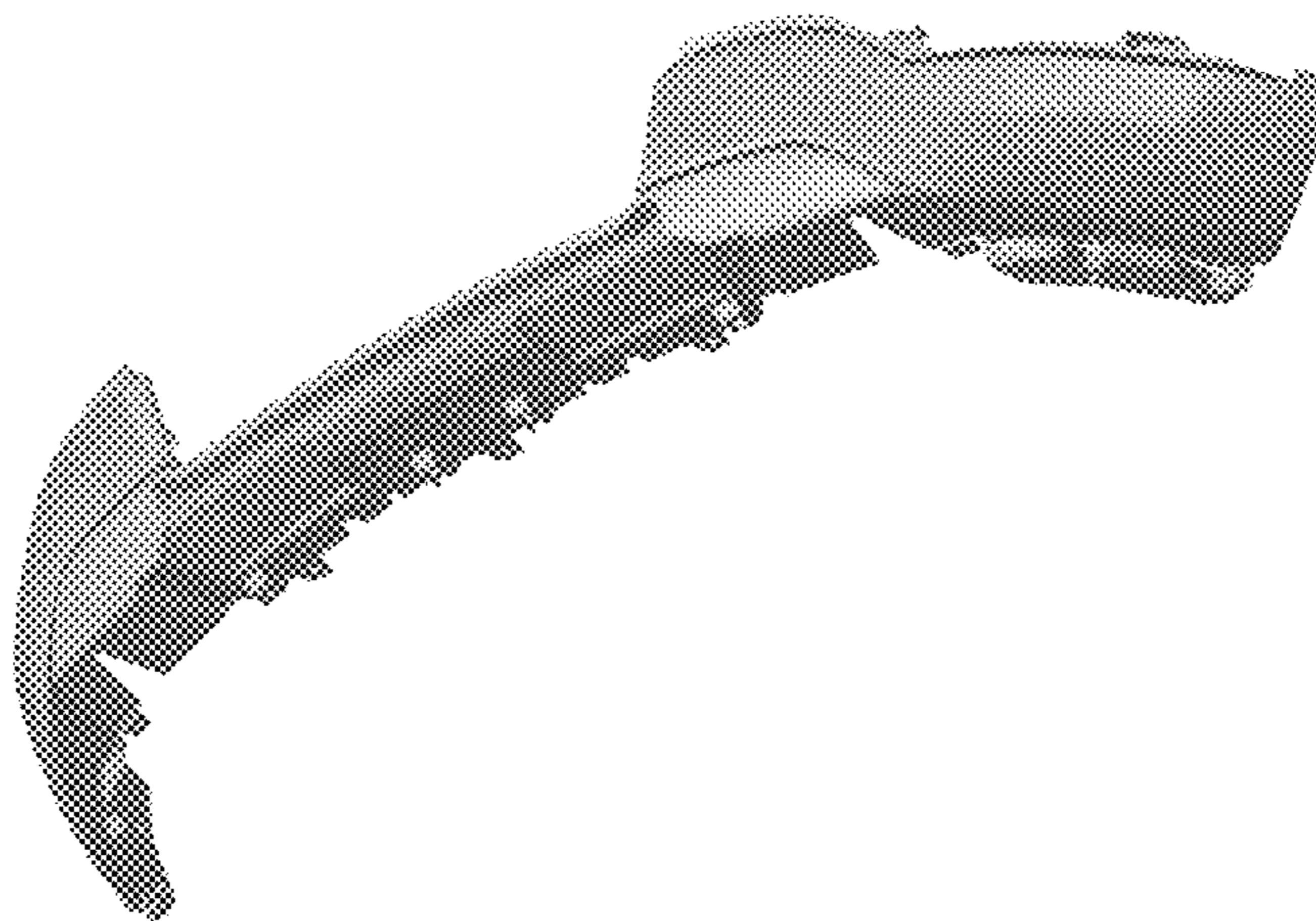
(57) **CLAIM**

The ornamental design for a vehicle front lower bumper cover, as shown and described.

DESCRIPTION

FIG. 1 is a bottom left perspective view of a vehicle front lower bumper cover;
FIG. 2 is a bottom right perspective view thereof;
FIG. 3 is a top rear perspective view thereof;
FIG. 4 is a front elevational view thereof;
FIG. 5 is a rear elevational view thereof;
FIG. 6 is a left side elevational view thereof;
FIG. 7 is a right side elevational view thereof;
FIG. 8 is a top plan view thereof; and,
FIG. 9 is bottom plan view thereof.

1 Claim, 9 Drawing Sheets



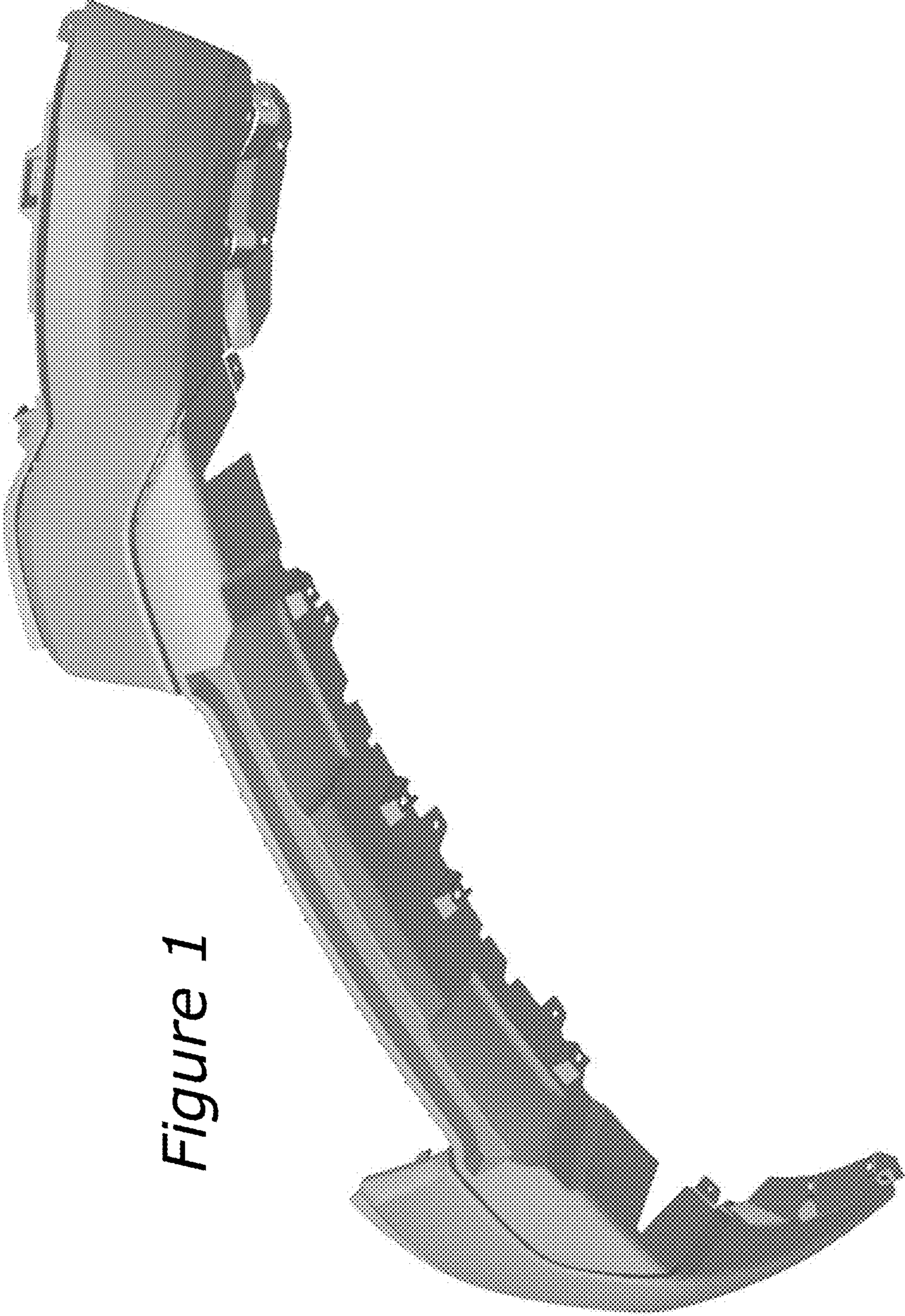


Figure 1

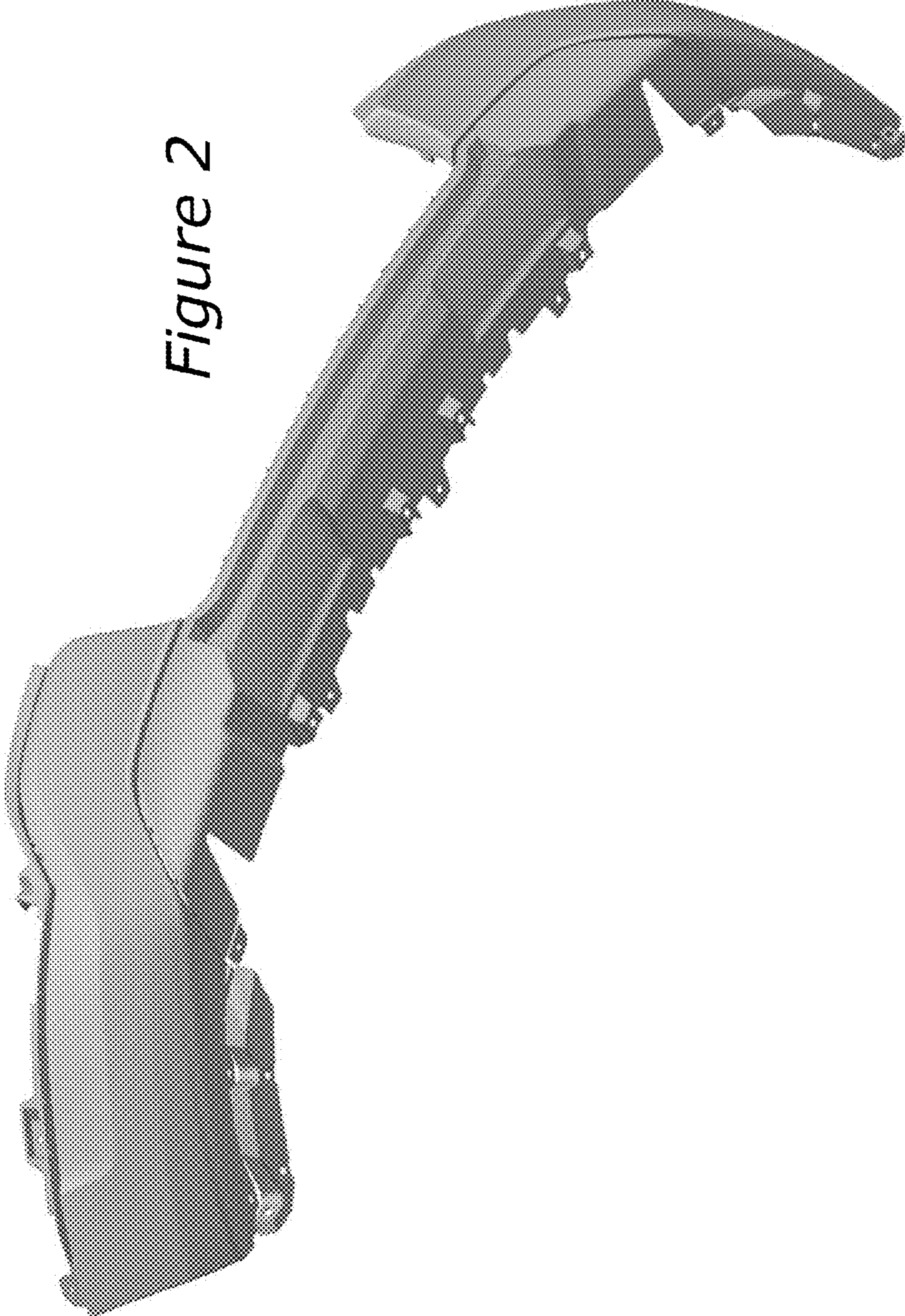


Figure 2

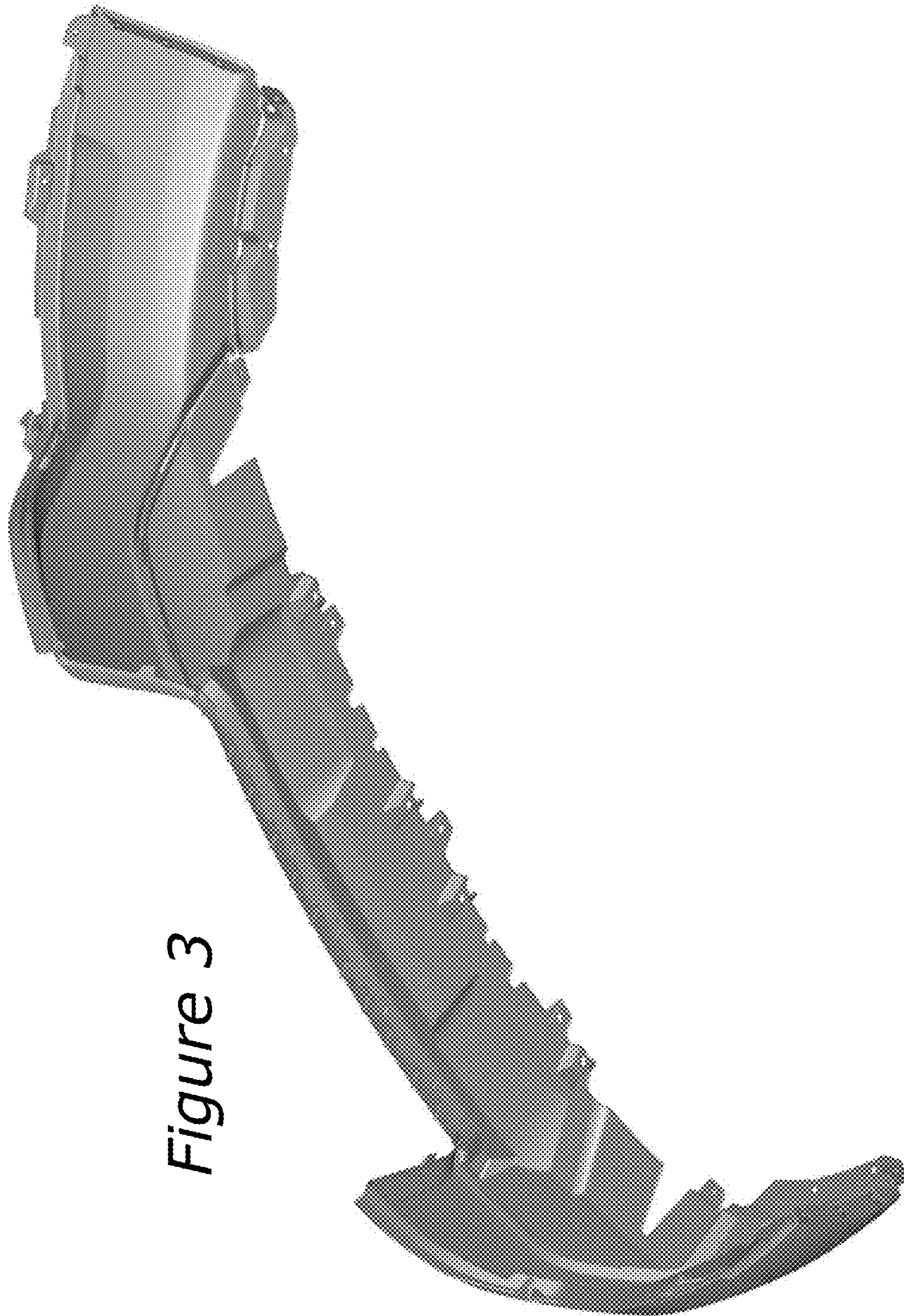


Figure 3

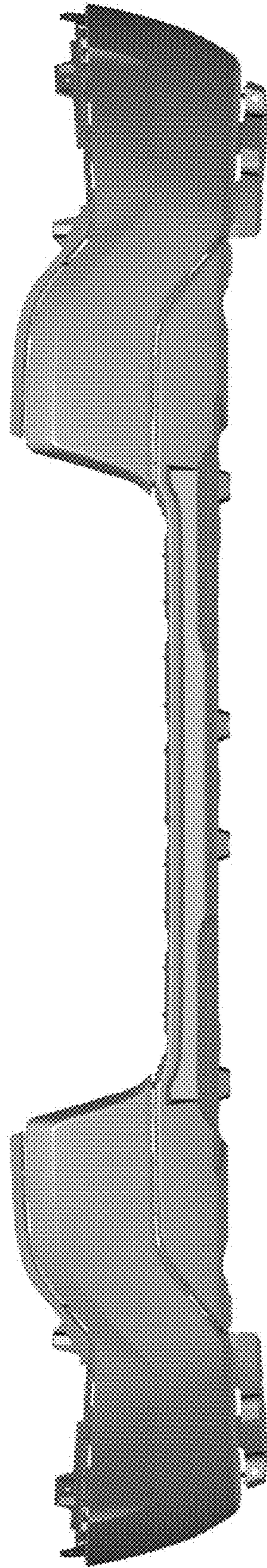


Figure 4

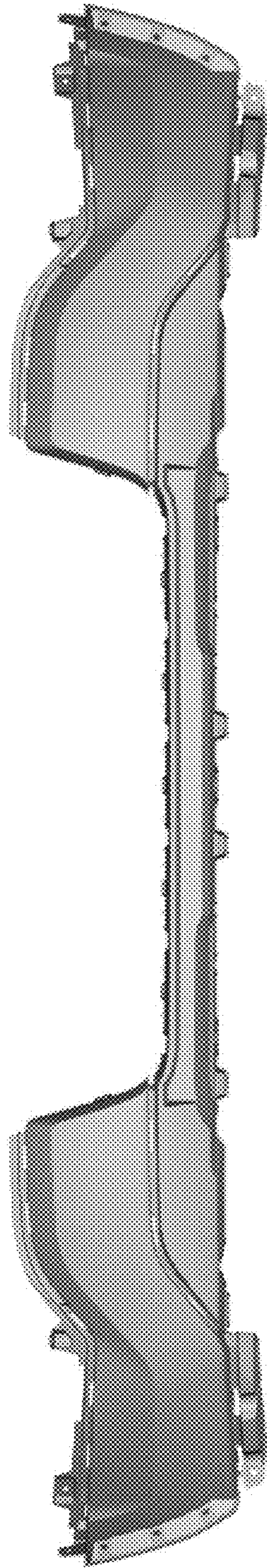


Figure 5

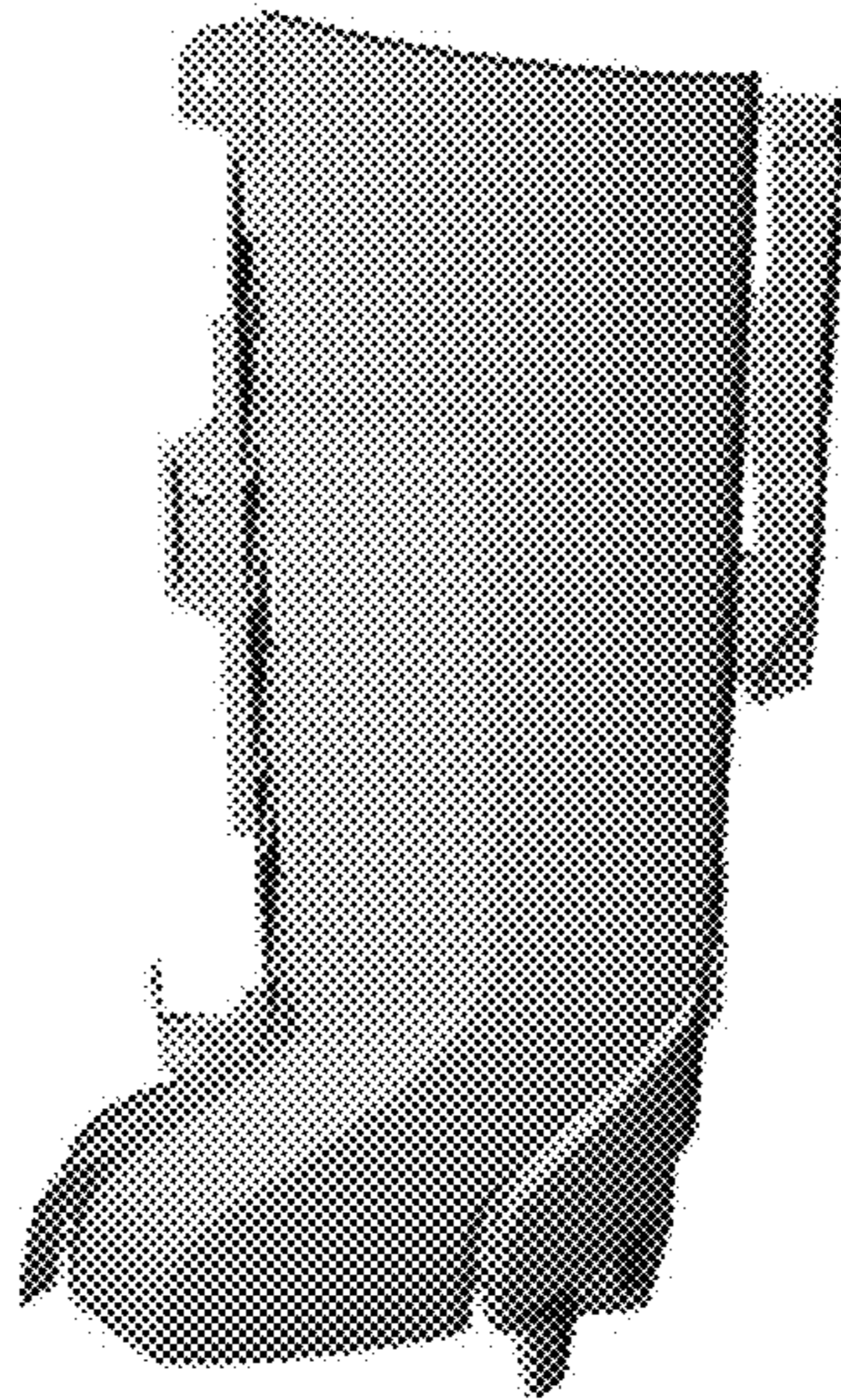


Figure 6

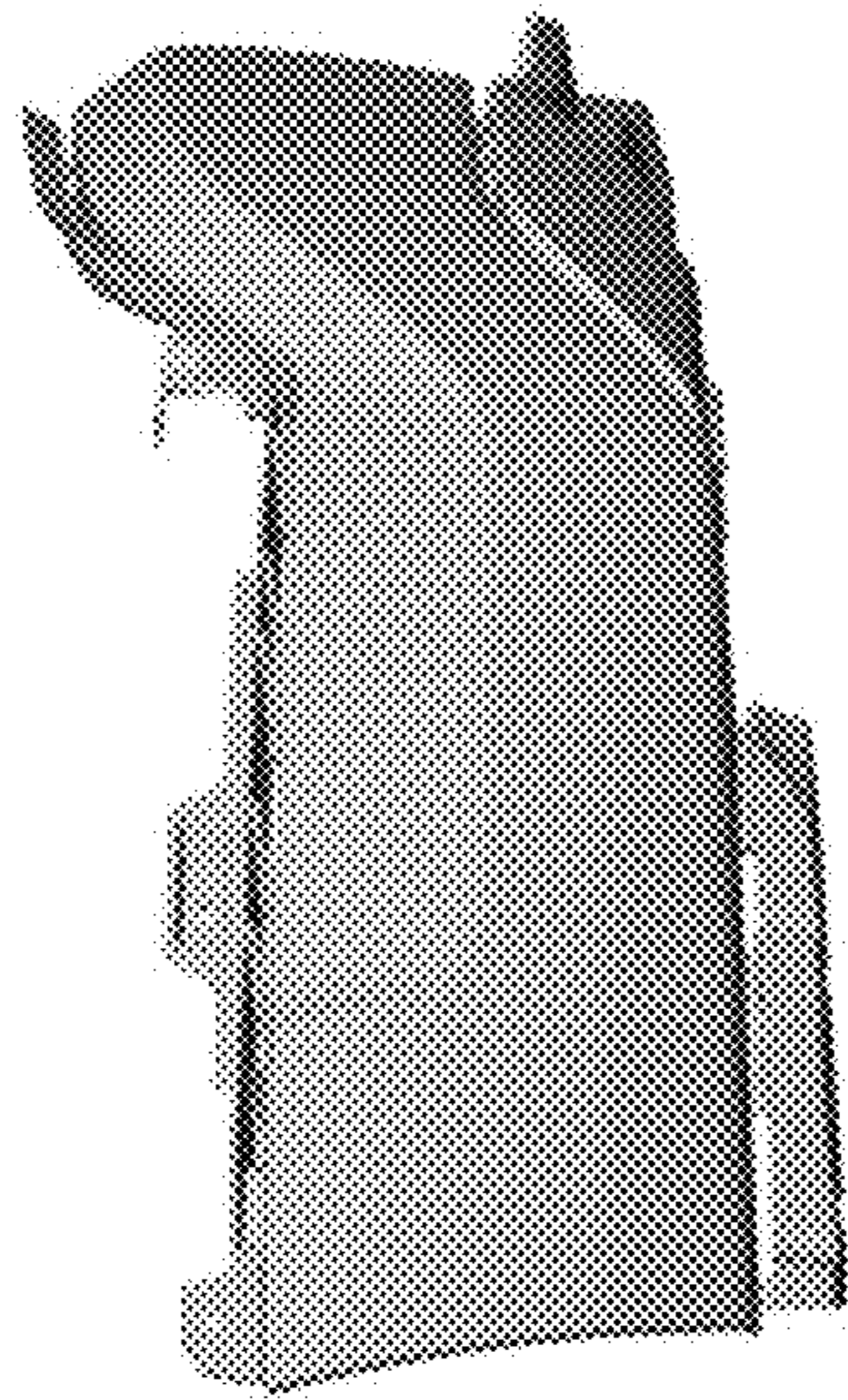


Figure 7

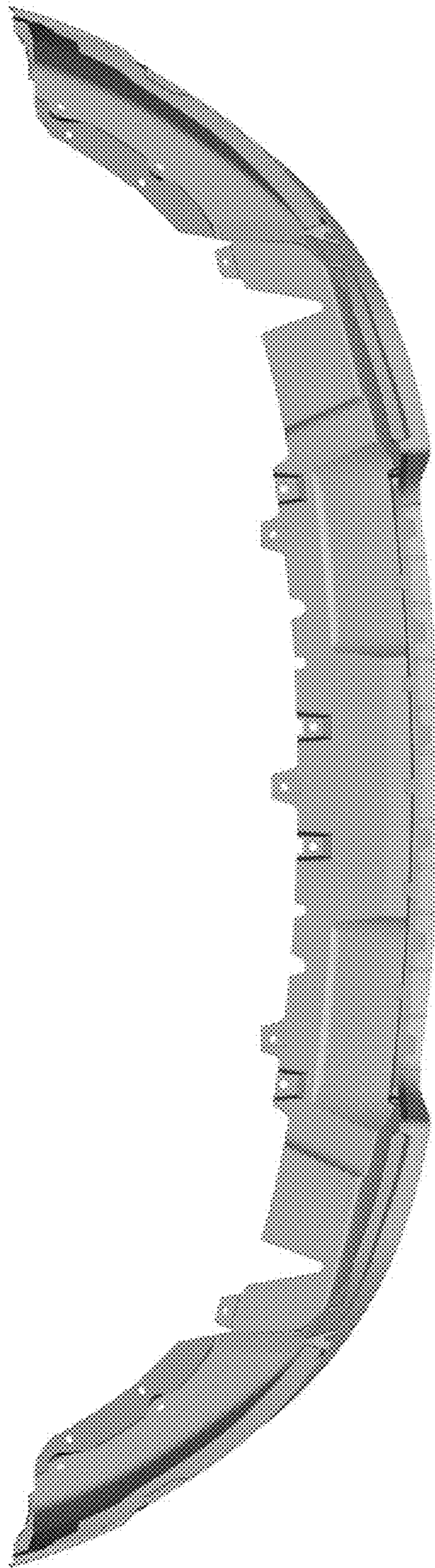


Figure 8

Figure 9

