



US00D748019S

(12) **United States Design Patent**  
**Batmanian et al.**

(10) **Patent No.:** **US D748,019 S**  
(45) **Date of Patent:** **\*\* Jan. 26, 2016**

(54) **STROLLER EMBELLISHMENT KIT**

(71) Applicants: **Shawnt Zohrab Batmanian**, Reseda, CA (US); **Jude Gerard Prest**, North Hollywood, CA (US); **Chris Gilman**, North Hollywood, CA (US)

(72) Inventors: **Shawnt Zohrab Batmanian**, Reseda, CA (US); **Jude Gerard Prest**, North Hollywood, CA (US); **Chris Gilman**, North Hollywood, CA (US)

(73) Assignees: **Shawnt Batmanian**, West Hills, CA (US); **Jude Gerard Prest**, West Hills, CA (US)

(\*\*) Term: **14 Years**

(21) Appl. No.: **29/488,652**

(22) Filed: **Apr. 22, 2014**

(51) **LOC (10) Cl.** ..... **12-12**

(52) **U.S. Cl.**  
USPC ..... **D12/133**

(58) **Field of Classification Search**  
USPC ..... D12/128-133; 280/62, 647-650, 29, 280/200, 47.38, 250.1, 259, 642, 658, 280/304.1; 128/99.1, 100.1  
See application file for complete search history.

(56) **References Cited**

**U.S. PATENT DOCUMENTS**

D451,434 S	*	12/2001	Hsia	.....	D12/129
D486,430 S	*	2/2004	Chang	.....	D12/129
D519,422 S	*	4/2006	Huang	.....	D12/129

7,267,359 B1	*	9/2007	Yang et al.	.....	280/642
D566,013 S	*	4/2008	Wang	.....	D12/129
7,364,171 B2	*	4/2008	Hu	.....	280/47.38
D578,936 S	*	10/2008	Chen	.....	D12/129
D621,306 S	*	8/2010	Liao	.....	D12/129
D643,344 S	*	8/2011	Barenbrug	.....	D12/129
D643,345 S	*	8/2011	Barenbrug	.....	D12/129
D643,346 S	*	8/2011	Barenbrug	.....	D12/129
D643,786 S	*	8/2011	Barenbrug	.....	D12/129
D672,692 S	*	12/2012	Jane Santamaria	.....	D12/129

\* cited by examiner

*Primary Examiner* — Susan Bennett Hattan

*Assistant Examiner* — Charles Hanson

(57) **CLAIM**

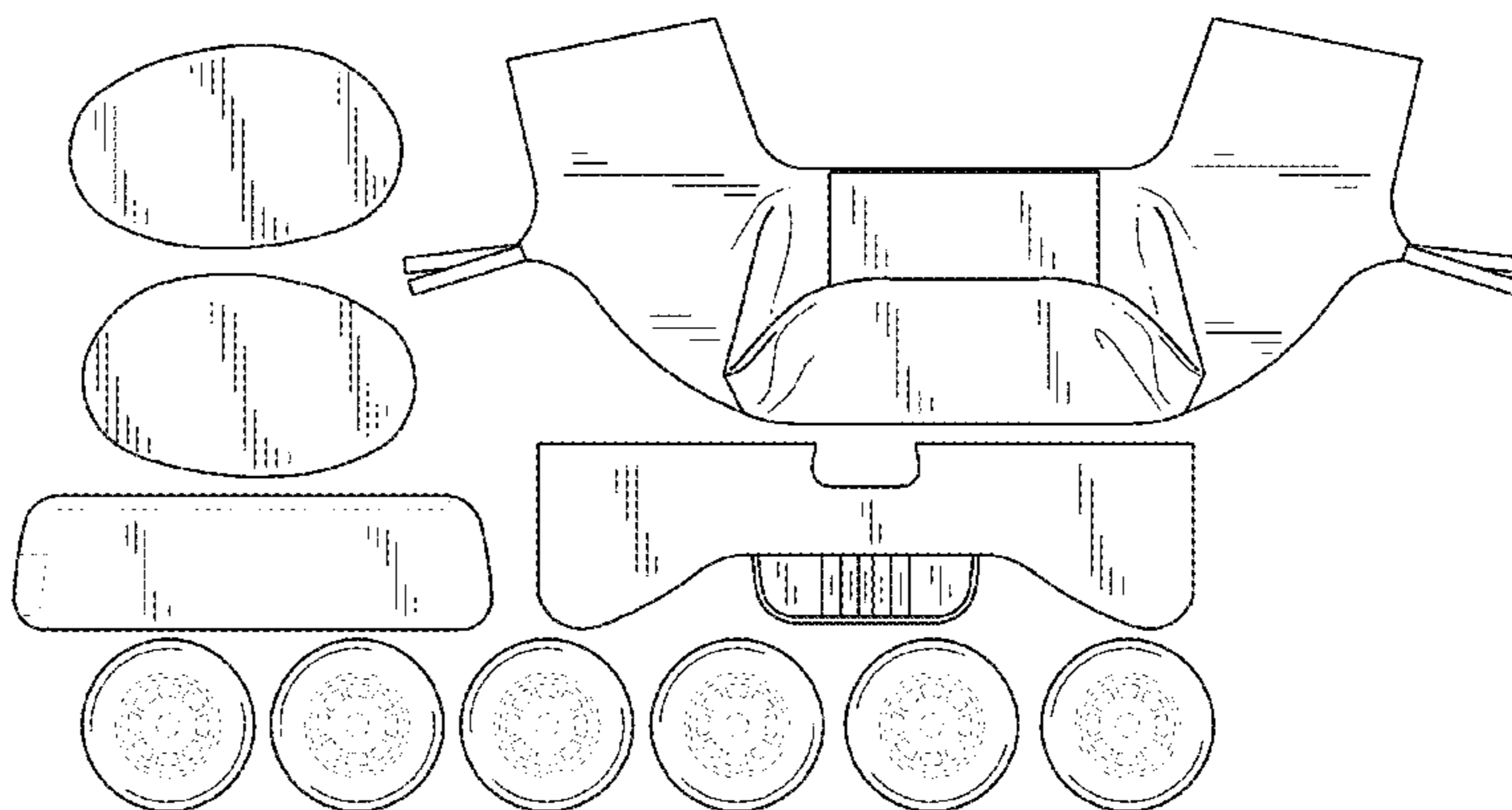
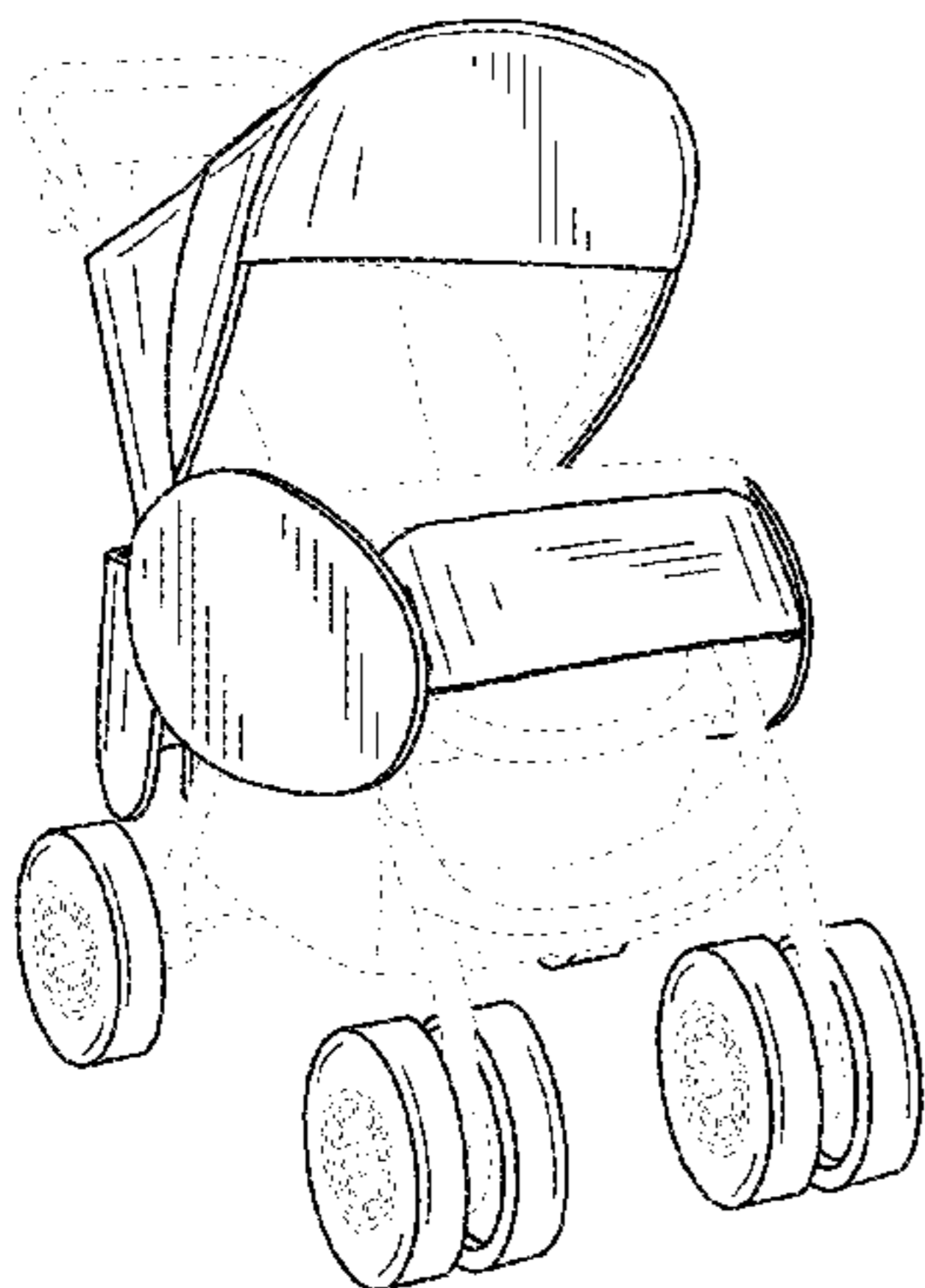
The ornamental design for a stroller embellishment kit, as shown and described.

**DESCRIPTION**

FIG. 1 is a perspective front view of a stroller embellishment kit;  
FIG. 2 is a front elevation view of the stroller embellishment kit;  
FIG. 3 is a rear elevation view of the stroller embellishment kit;  
FIG. 4 is a left side elevation view of the stroller embellishment kit; the right side view being a mirror image thereof;  
FIG. 5 is a top plan view of the stroller embellishment kit;  
FIG. 6 is a bottom plan view of the stroller embellishment kit; and,  
FIG. 7 is a plan view of the components of the stroller embellishment kit.

The broken lines shown represent unclaimed subject matter and form no part of claimed design.

**1 Claim, 4 Drawing Sheets**



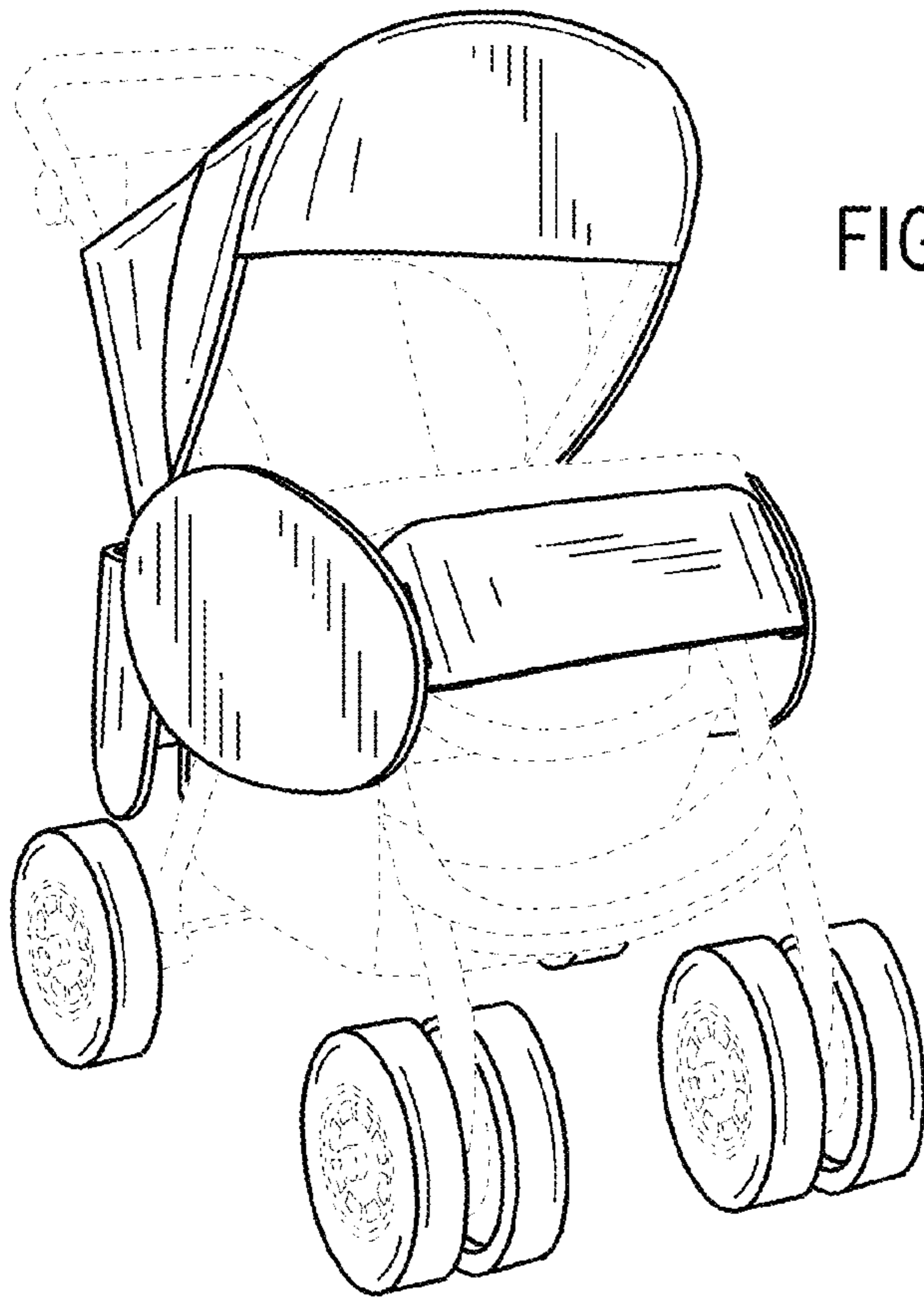


FIG. 1

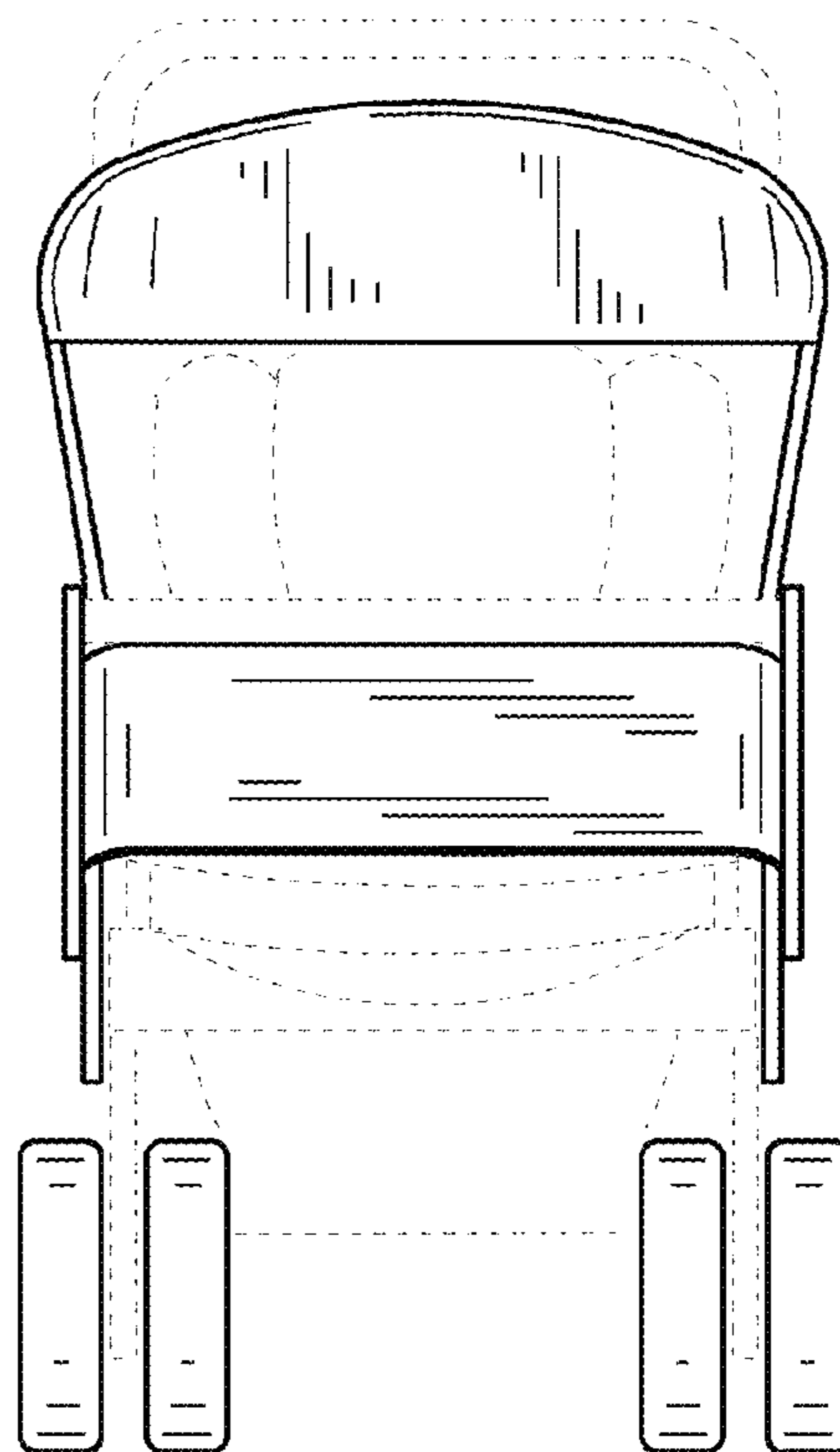


FIG. 2

FIG. 3

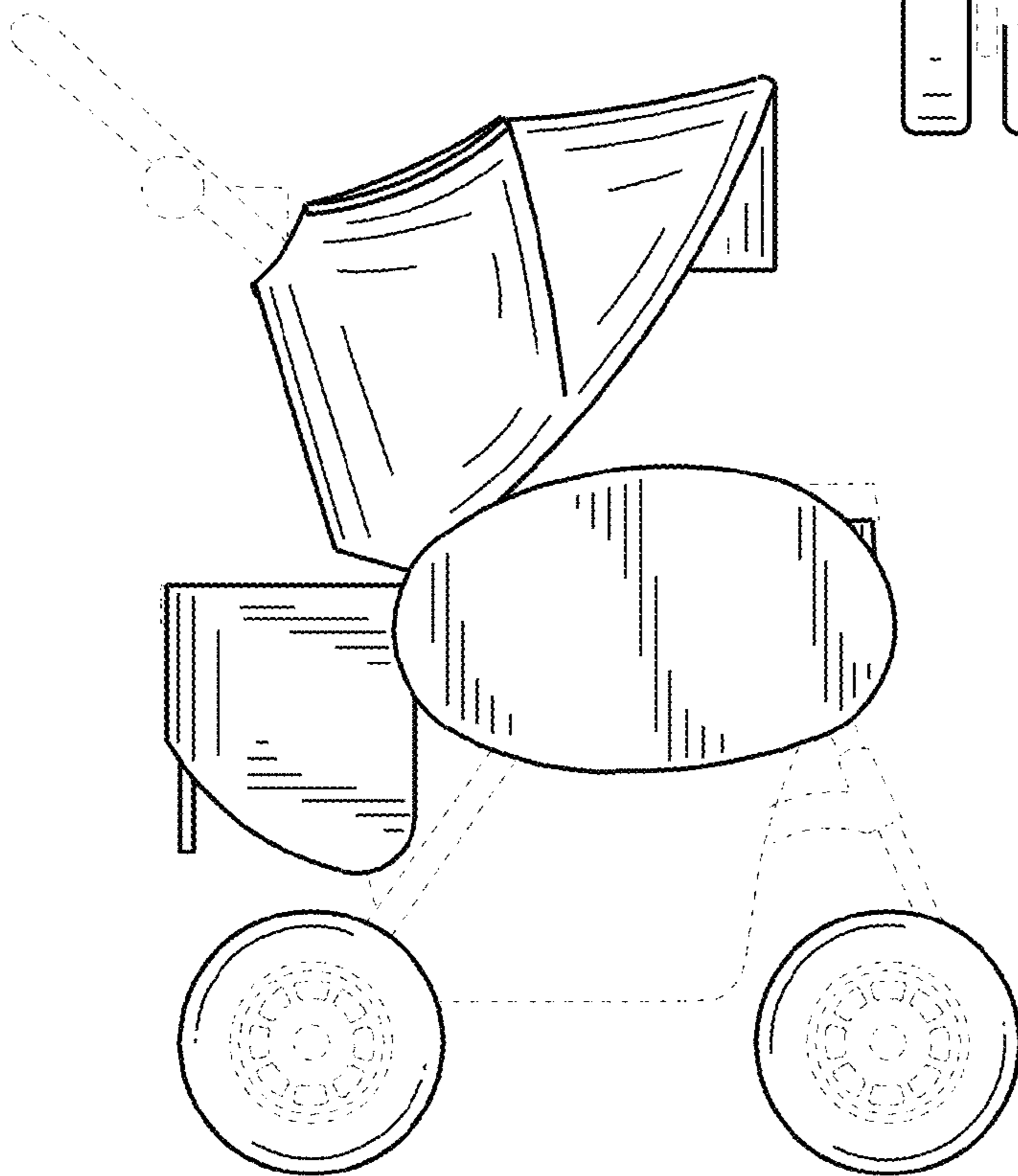
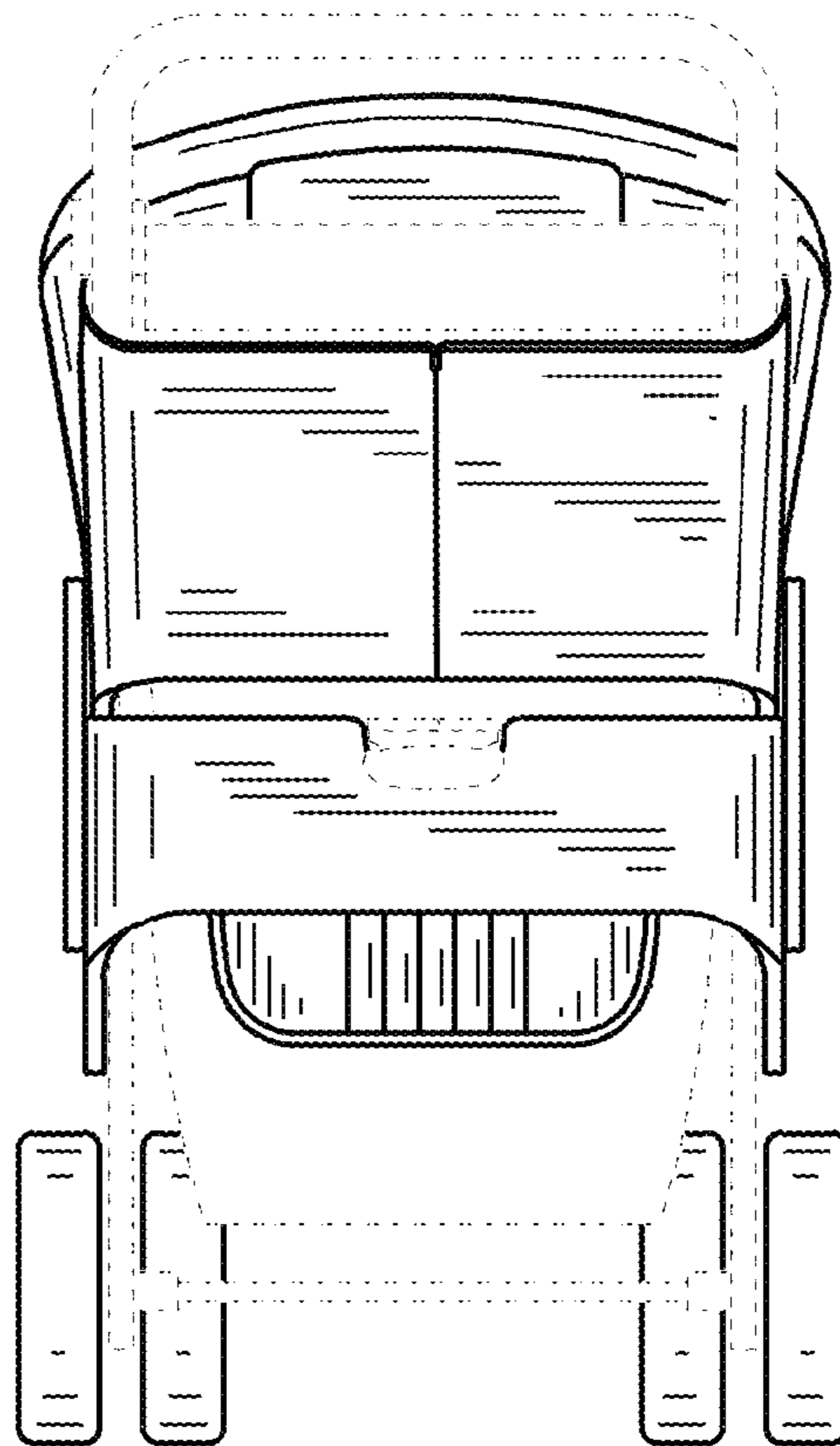


FIG. 4

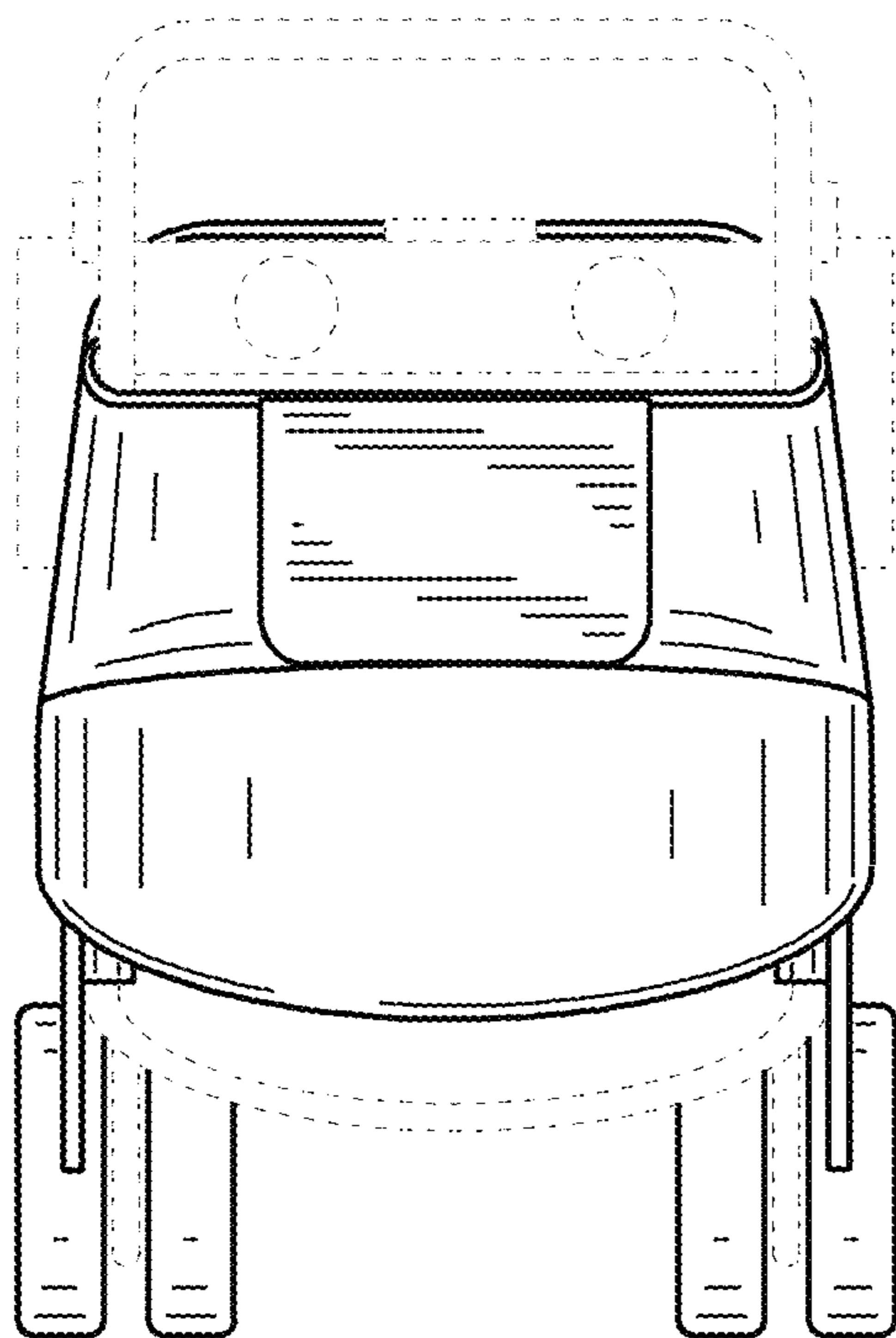


FIG. 5

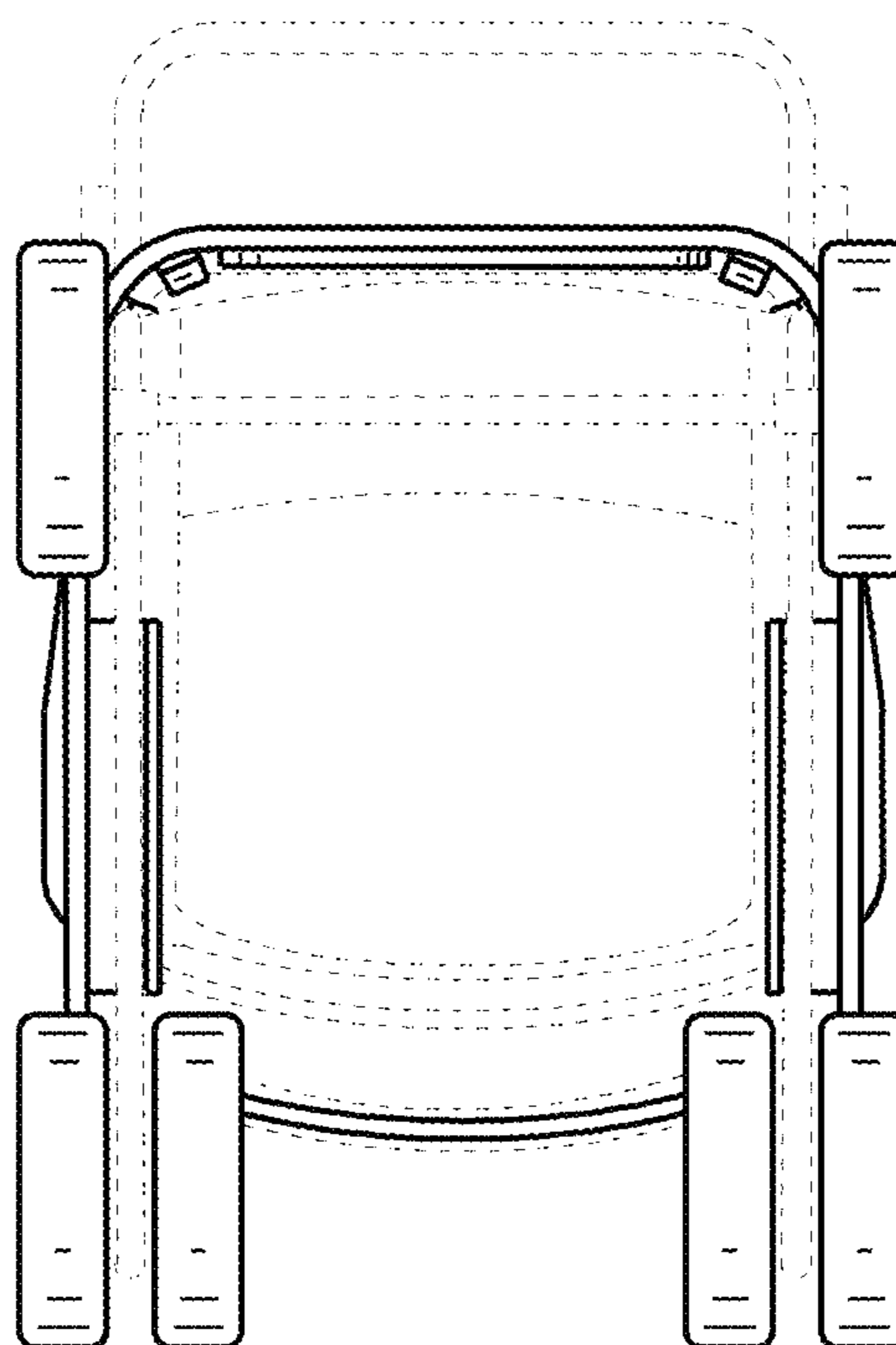


FIG. 6

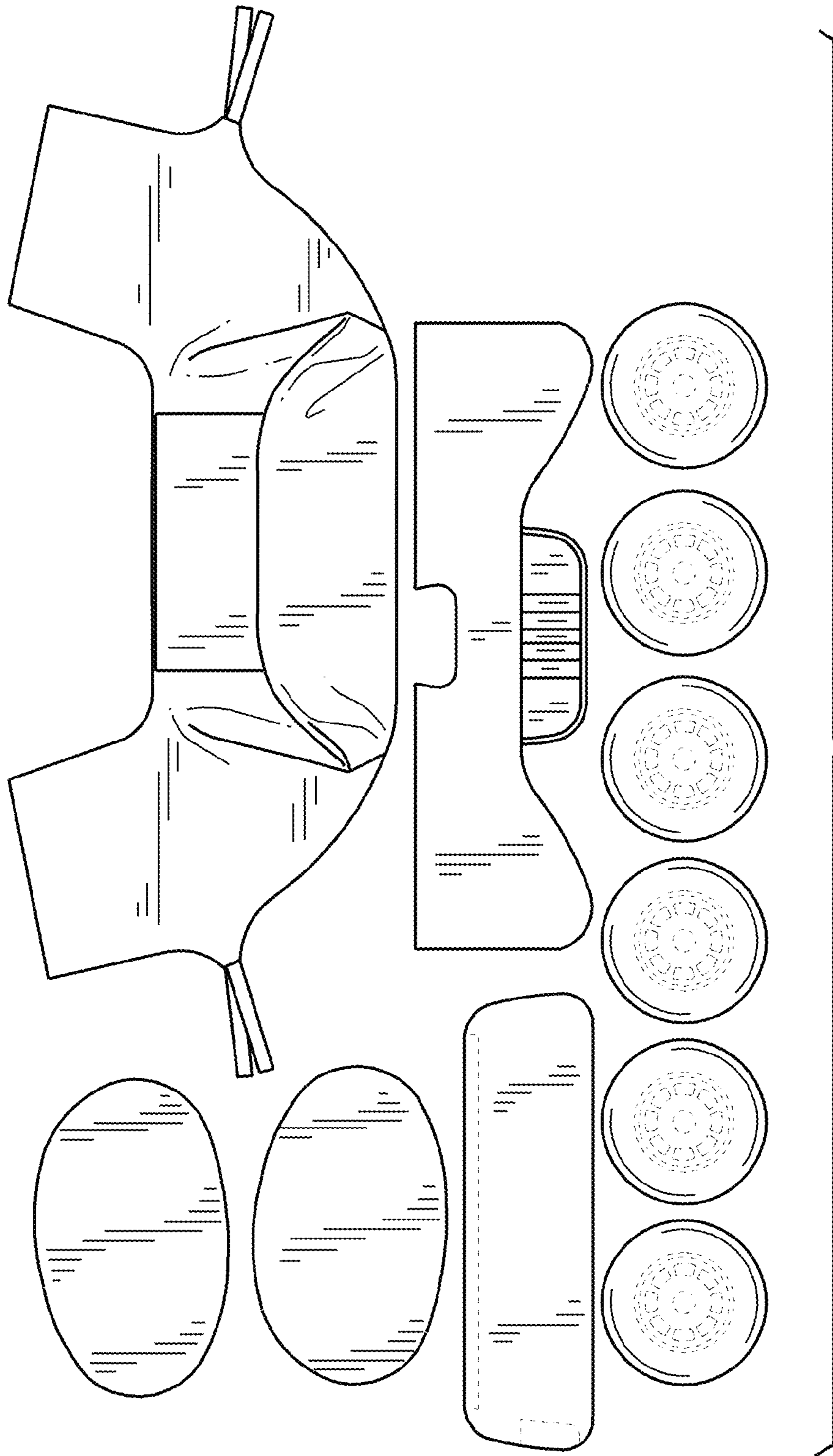


FIG. 7