



US00D748016S

(12) **United States Design Patent**
Wang

(10) **Patent No.:** **US D748,016 S**

(45) **Date of Patent:** **** Jan. 26, 2016**

(54) **FIXING SLEEVE FOR BICYCLE**

(71) Applicant: **John Wang**, Taichung (TW)

(72) Inventor: **John Wang**, Taichung (TW)

(**) Term: **14 Years**

(21) Appl. No.: **29/482,884**

(22) Filed: **Feb. 23, 2014**

(51) **LOC (10) Cl.** **12-11**

(52) **U.S. Cl.**
USPC **D12/114; D8/396; D23/265**

(58) **Field of Classification Search**
USPC D12/114, 223, 126, 122, 174, 110;
D8/348, 354, 356, 371, 376, 382,
D8/394-396; 74/478, 478.5, 473.16,
74/502.4, 512, 560, 561, 562, 562.5, 564;
180/227, 228, 299, 219; 248/559, 571,
248/608, 609, 635, 638, 646, 650; 267/293;
280/288.4, 304.3, 291, 293, 294;
285/256-331, 341, 334.2, 62, 222.2,
285/222.4; 403/197; 464/162-169,
464/179-183
CPC B62J 9/003; B62J 11/00; B62K 21/16
See application file for complete search history.

6,098,949 A * 8/2000 Robinson 248/635
D540,158 S * 4/2007 Smith D8/396
D546,666 S * 7/2007 Mohlin et al. D8/396
D556,643 S * 12/2007 Baker D12/114
D560,484 S * 1/2008 Smith D8/396
D574,227 S * 8/2008 Andersson D8/396
D583,027 S * 12/2008 Morita D23/265
D600,327 S * 9/2009 Morita D23/265
D600,785 S * 9/2009 Morita D23/265
D602,131 S * 10/2009 Morita D23/265
D609,997 S * 2/2010 Andersson D8/396
D615,857 S * 5/2010 Chandler D8/396
D673,863 S * 1/2013 Carter et al. D9/711
D682,660 S * 5/2013 Aldrich et al. D8/343
D728,079 S * 4/2015 Aihara et al. D23/265
2010/0154583 A1 * 6/2010 Chuang 74/551.7
2011/0162417 A1 * 7/2011 Giroux 70/58

* cited by examiner

Primary Examiner — Philip S Hyder
Assistant Examiner — Darlington Ly

(57) **CLAIM**
The ornamental design for a fixing sleeve for bicycle, as shown and described.

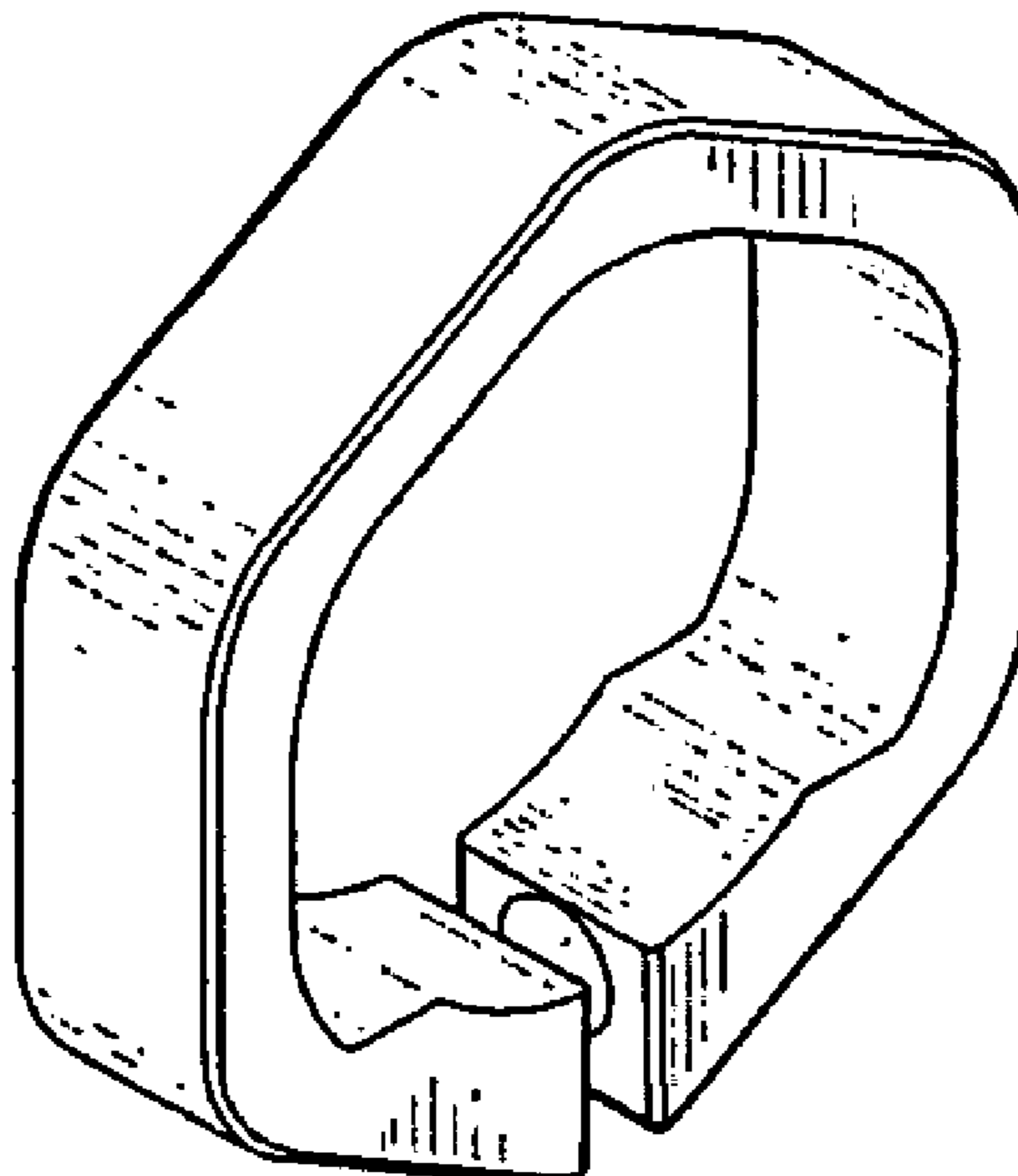
DESCRIPTION

FIG. 1 is a perspective view of a fixing sleeve for bicycle showing my new design;
FIG. 2 is a front elevational view thereof;
FIG. 3 is a rear elevational view thereof;
FIG. 4 is a left side elevational view thereof;
FIG. 5 is a right side elevational view thereof;
FIG. 6 is a top plan view thereof; and,
FIG. 7 is a bottom plan view thereof.

1 Claim, 7 Drawing Sheets

(56) **References Cited**
U.S. PATENT DOCUMENTS

3,371,937 A * 3/1968 Maeda 277/500
5,241,877 A * 9/1993 Chen 74/489
5,435,745 A * 7/1995 Booth 439/584
D396,801 S * 8/1998 Petty D8/356
D404,807 S * 1/1999 Nepsund et al. D23/365



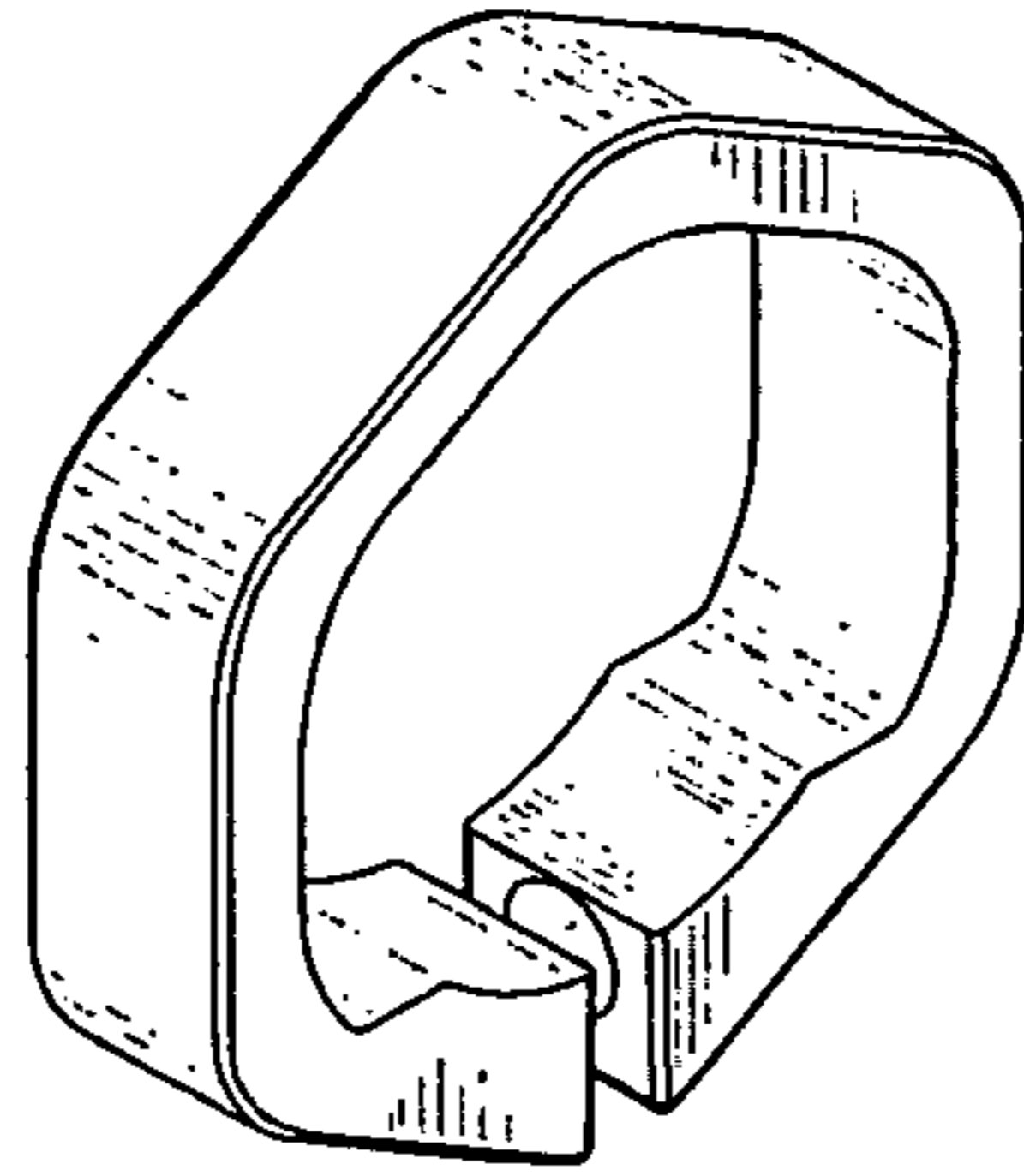


FIG. 1

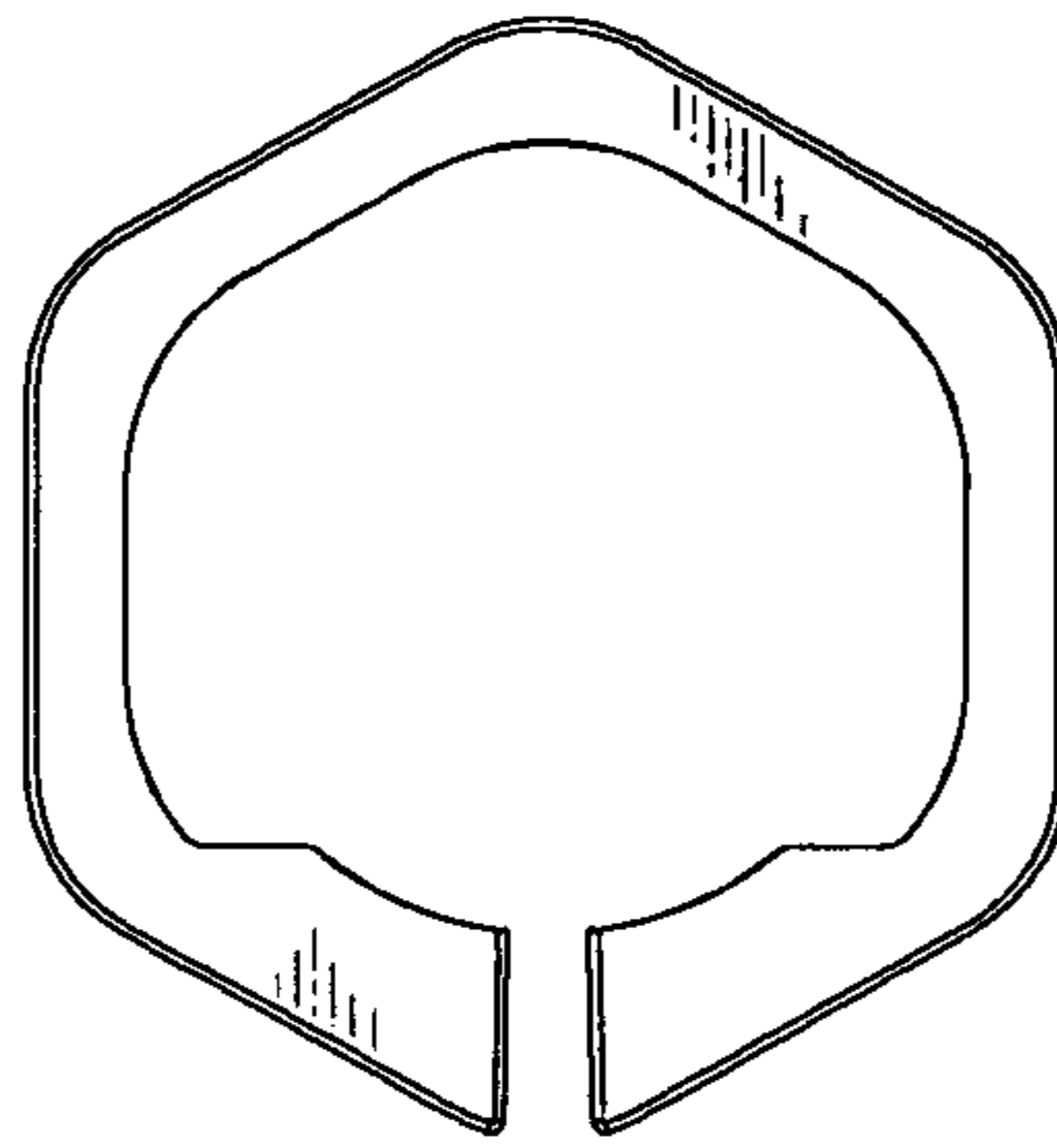


FIG. 2

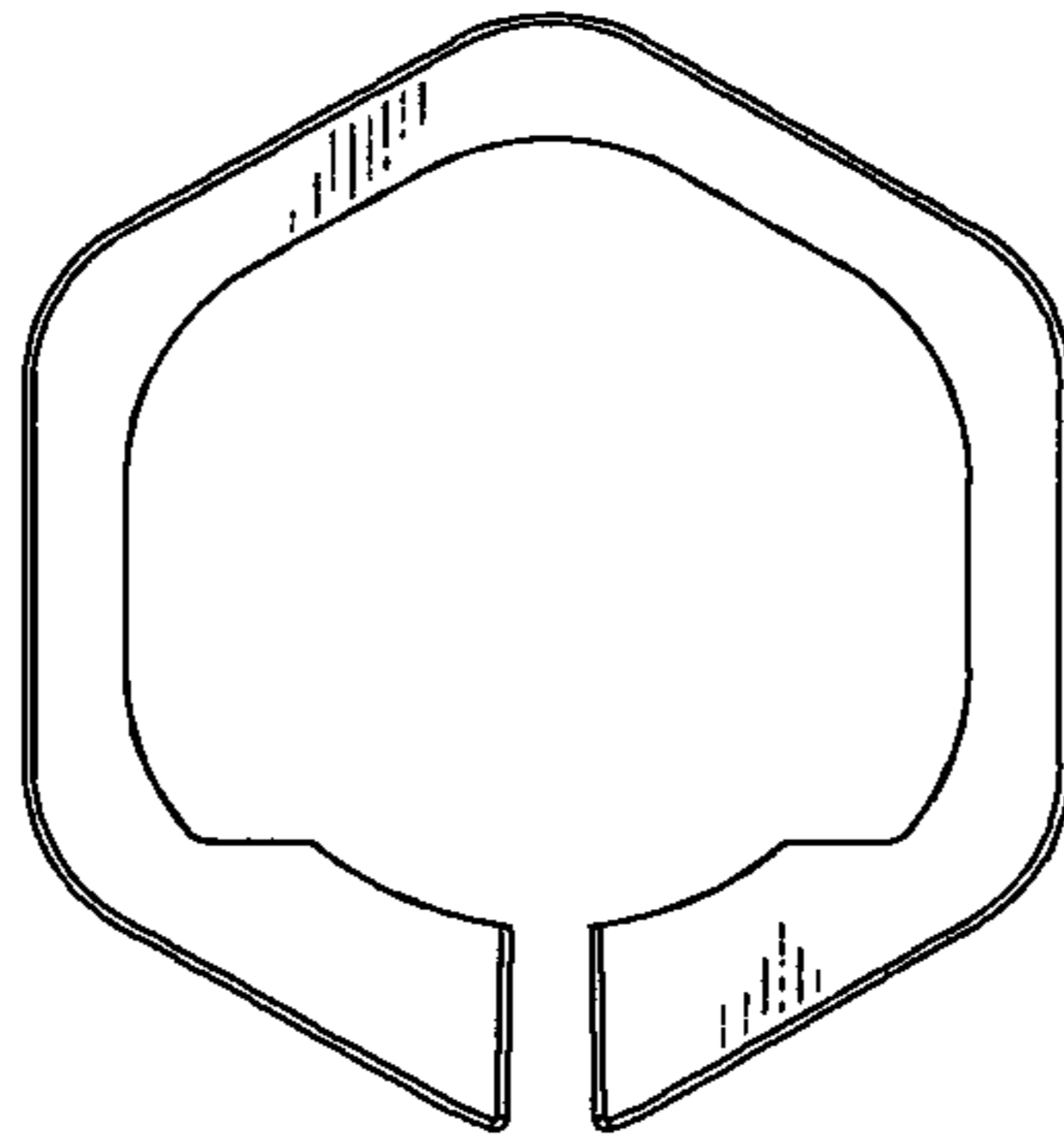


FIG. 3

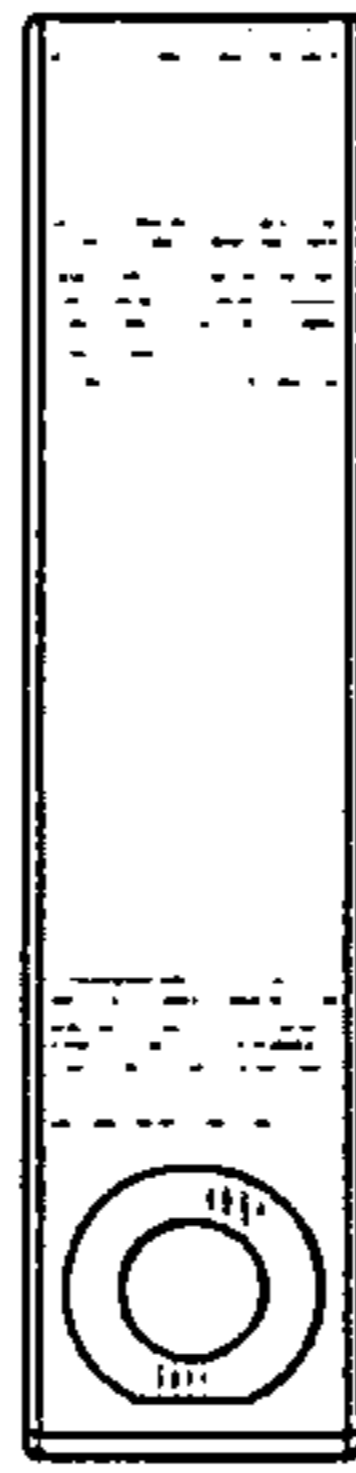


FIG. 4

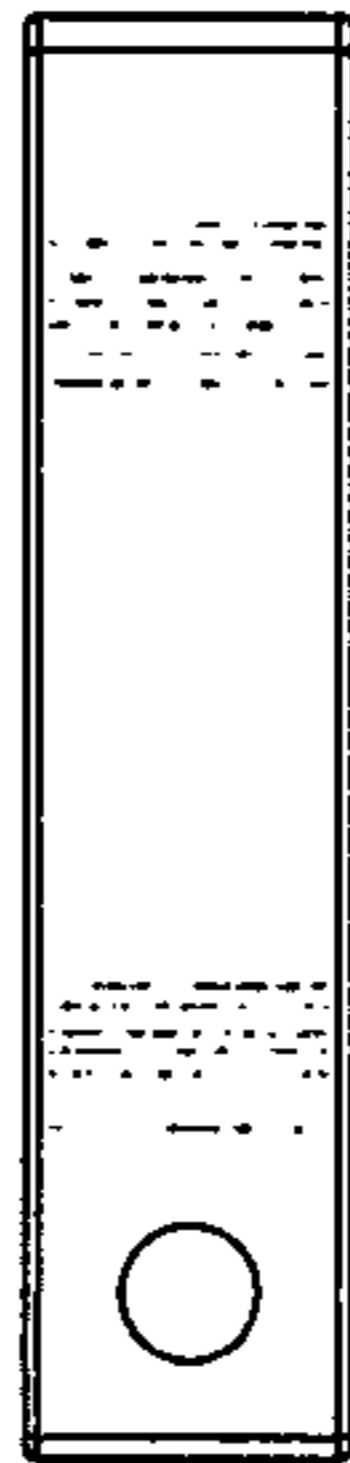


FIG. 5



FIG. 6

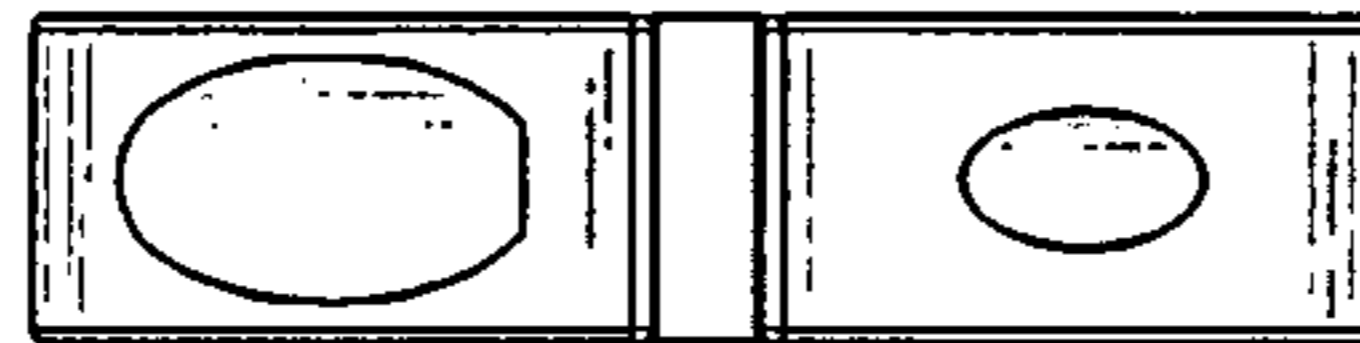


FIG. 7