



US00D748014S

(12) **United States Design Patent**
Ino et al.

(10) **Patent No.:** **US D748,014 S**
(45) **Date of Patent:** **** Jan. 26, 2016**

(54) **AUTOMOBILE AND/OR TOY REPLICA**

(71) Applicant: **Nissan Motor Co., Ltd.**, Yokohama,
Kanagawa (JP)

(72) Inventors: **Masanobu Ino**, Kanagawa (JP); **Hiroshi Kawano**, Kanagawa (JP)

(73) Assignee: **Nissan Motor Co., Ltd.**, Yokohamam
(JP)

(**) Term: **14 Years**

(21) Appl. No.: **29/513,036**

(22) Filed: **Dec. 24, 2014**

(51) **LOC (10) Cl.** **12-08**

(52) **U.S. Cl.**
USPC **D12/98**

(58) **Field of Classification Search**
USPC D12/86, 90, 91, 92, 98; D21/533;
296/181.1, 181.5, 183.1, 37.6
CPC .. B62D 33/04; B62D 33/0273; B62D 47/003;
B60J 5/108; B60J 5/0476; B60J 7/106
See application file for complete search history.

(56) **References Cited**

U.S. PATENT DOCUMENTS

D316,987	S	*	5/1991	Machida et al.	D12/98
5,301,997	A	*	4/1994	Cudden	296/182.1
D357,213	S	*	4/1995	Hunter et al.	D12/98
D419,920	S	*	2/2000	Kondo et al.	D12/98
D479,157	S	*	9/2003	Hayashi et al.	D12/98
D488,405	S	*	4/2004	Metros et al.	D12/98
D500,461	S	*	1/2005	Noguchi et al.	
D500,968	S	*	1/2005	Metros et al.	D12/98
D503,659	S	*	4/2005	Matsumoto et al.	D12/98
D504,356	S	*	4/2005	Metros et al.	D12/98
D504,357	S	*	4/2005	Aneiros et al.	D12/98
D509,772	S	*	9/2005	Hattori et al.	D12/98
D522,919	S	*	6/2006	Teot	D12/98

D526,247	S	*	8/2006	White	D12/98
D537,385	S	*	2/2007	Shimoguchi et al.	D12/98
D570,742	S	*	6/2008	Takagi et al.	D12/98
D596,532	S	*	7/2009	Opfer et al.	D12/98
D607,783	S	*	1/2010	Roller et al.	D12/98
D646,206	S	*	10/2011	Sato et al.	D12/98

(Continued)

FOREIGN PATENT DOCUMENTS

EM	000248547-0004	10/2004
JP	D1220121 S	10/2004

OTHER PUBLICATIONS

<http://response.jp/article/2014/09/01/231322.html> regarding Nissan Nismo Mashup Project; Article published Sep. 1, 2014.

(Continued)

Primary Examiner — Philip S Hyder

Assistant Examiner — Darlington Ly

(74) *Attorney, Agent, or Firm* — Global IP Counselors, LLP

(57) **CLAIM**

The ornamental design for an automobile and/or toy replica, as shown and described.

DESCRIPTION

FIG. 1 is a front elevation view of an automobile and/or toy replica thereof in accordance with our new design;

FIG. 2 is a top plan view thereof;

FIG. 3 is a right-side elevation view thereof;

FIG. 4 is a left-side elevation view thereof;

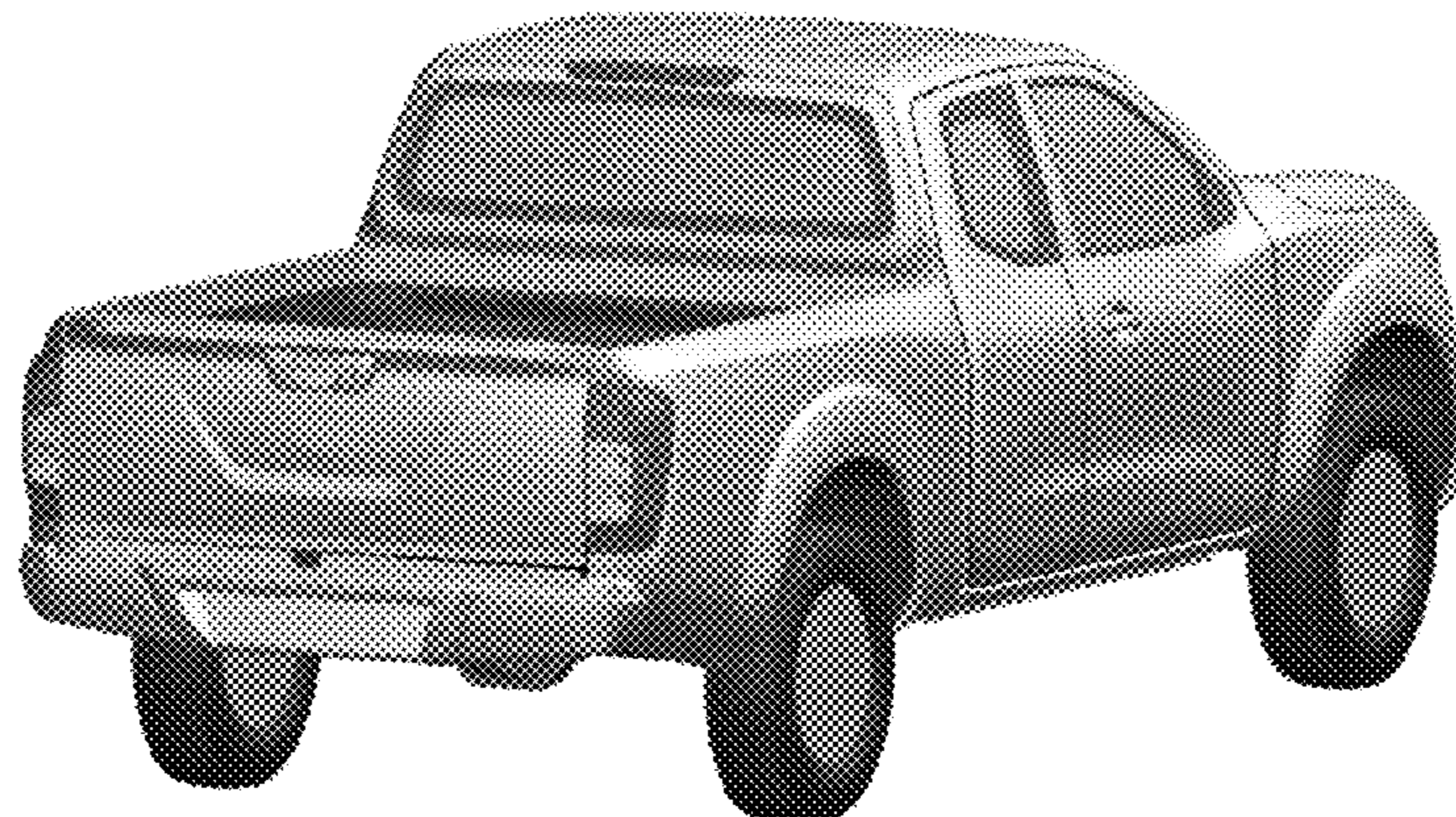
FIG. 5 is a front and left-side perspective view thereof;

FIG. 6 is a rear and right-side perspective view thereof; and,

FIG. 7 is a rear elevation view thereof.

The broken line showing the oval emblem on the radiator grille is for the purpose of illustrating portions of the automobile that forms no part of the claimed design.

1 Claim, 7 Drawing Sheets



(56)

References Cited

U.S. PATENT DOCUMENTS

D659,052 S * 5/2012 Ware et al. D12/98
D723,428 S * 3/2015 Sperling et al. D12/98
2013/0175818 A1* 7/2013 Bates 296/10
2014/0339845 A1* 11/2014 Lang et al. 296/37.6

OTHER PUBLICATIONS

<http://nissannews.com/en-US/nissan/usa/channels/us-united-states-nissan-models-frontier/photos/2015-nissan-lineup?page=1> regarding 2015 Nissan Frontier; published prior to filing of the present application.

<http://nissannews.com/en-US/nissan/usa/channels/us-united-states-nissan-models-2014-titan/photos> regarding 2015 Nissan Titan; published prior to filing of the present application.

<http://www.toyota.com/tacoma/photo-gallery.html> regarding Toyota Tacoma; published prior to filing of the present application.

<http://www.toyota.com/tundra/photo-gallery.html#1360/sr5/blue%20ribbon%20metallic> regarding Toyota Tundra; published prior to filing of the present application.

<http://www.mitsubishi-motors.com.au/vehicles/triton> regarding Mitsubishi Motor Triton; published prior to filing of the present application.

Nissan Frontier; released prior to filing of the present application.

Nissan Titan; released prior to filing of the present application.

Nissan Nismo Mashup; released prior to filing of the present application.

* cited by examiner



FIG. 1

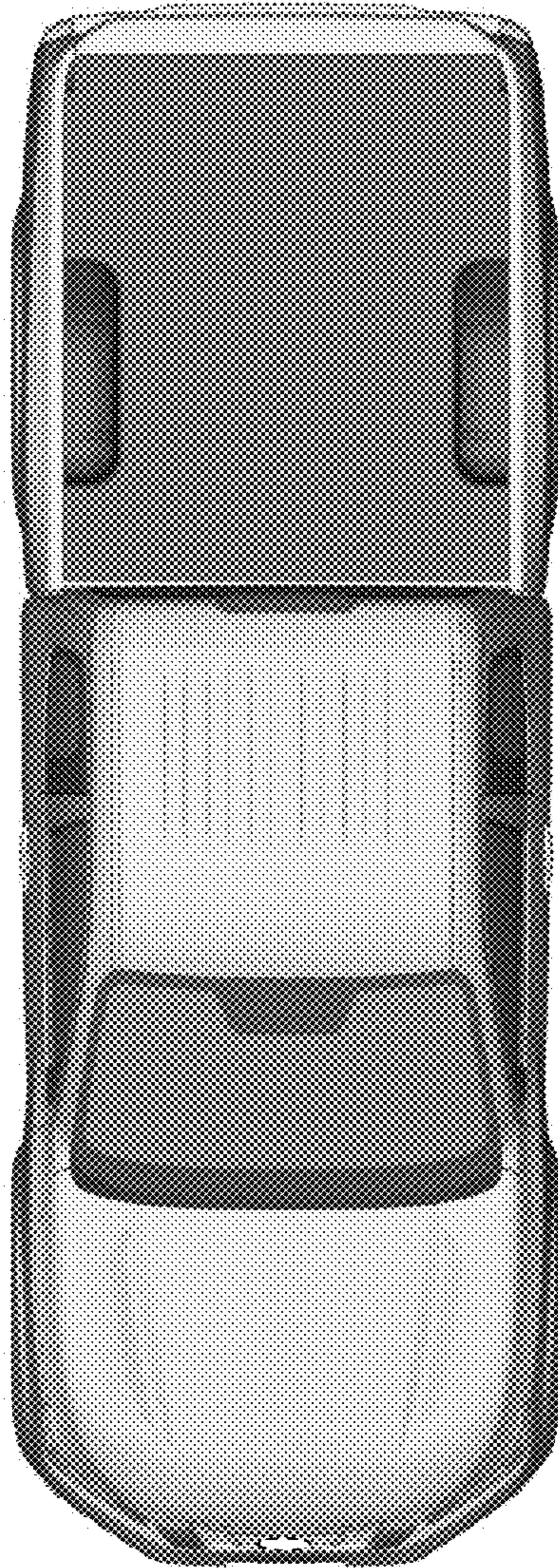


FIG. 2

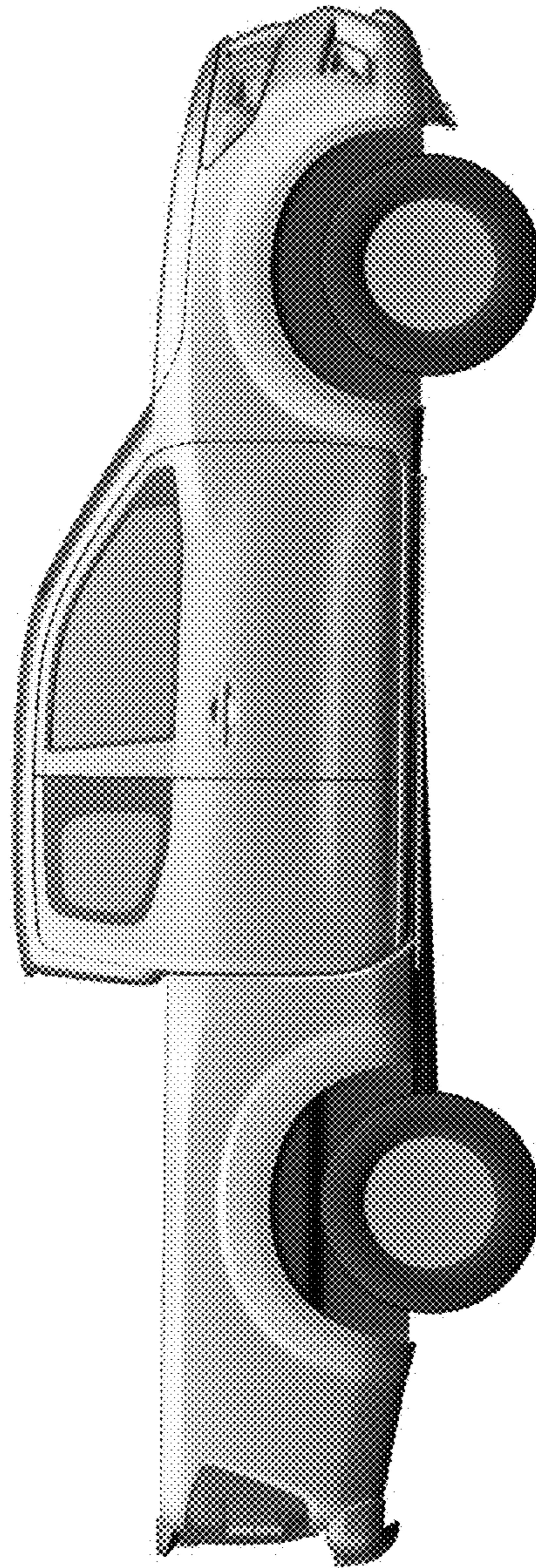


FIG. 3

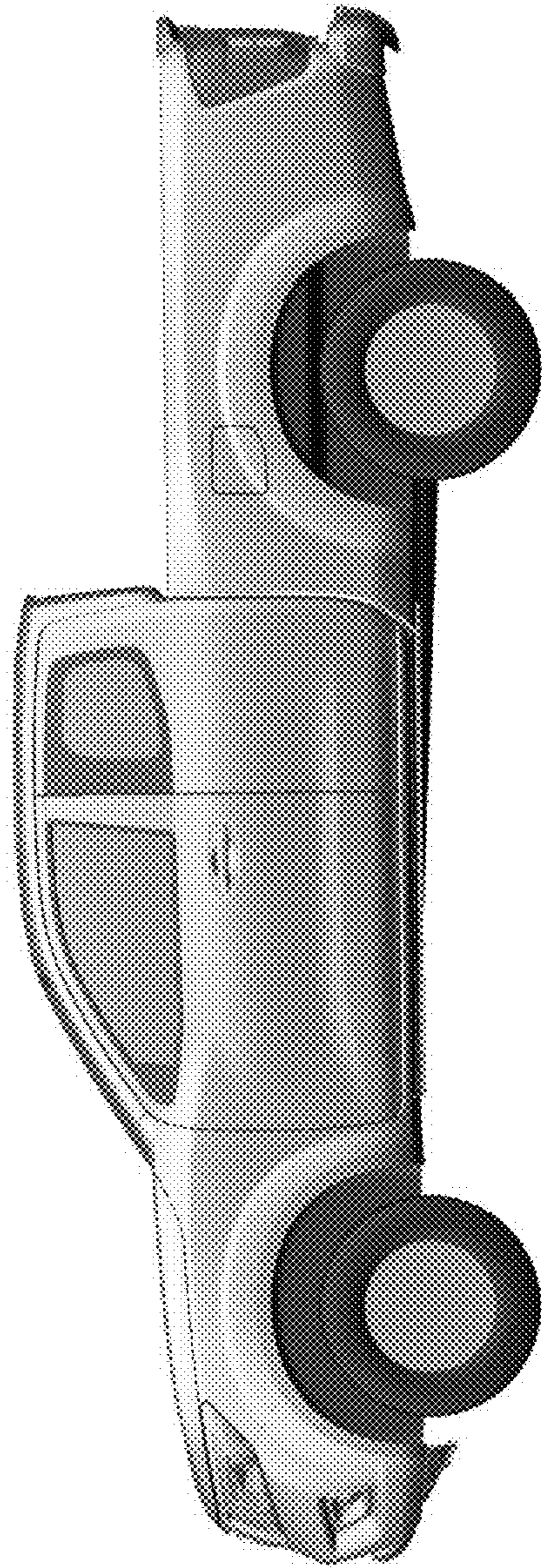


FIG. 4



FIG. 5



FIG. 6



FIG. 7