



US00D748012S

(12) **United States Design Patent**
Laatz

(10) **Patent No.:** **US D748,012 S**
(45) **Date of Patent:** **** Jan. 26, 2016**

- (54) **TRAKLINE BELT BUCKLE**
- (71) Applicant: **KORE ESSENTIALS, INC.**, San Diego, CA (US)
- (72) Inventor: **Robin Laatz**, San Diego, CA (US)
- (73) Assignee: **KORE ESSENTIALS, INC.**, San Diego, CA (US)
- (**) Term: **14 Years**
- (21) Appl. No.: **29/519,428**
- (22) Filed: **Mar. 4, 2015**

Related U.S. Application Data

- (63) Continuation-in-part of application No. 29/484,772, filed on Mar. 12, 2014, now Pat. No. Des. 727,204.
- (51) **LOC (10) Cl.** **02-07**
- (52) **U.S. Cl.**
USPC **D11/216**
- (58) **Field of Classification Search**
USPC D11/1-2, 200-201, 206-210, 214-218;
24/163 R, 169-171, 173, 177-179, 191,
24/194-195, 197, 200, 614-616, 625, 198,
24/578.11, 578.1, 163 K, 114, 307
CPC A41F 11/04
See application file for complete search history.

(56) **References Cited**

U.S. PATENT DOCUMENTS

1,278,340	A *	9/1918	Hayden et al.	24/316
2,110,684	A *	3/1938	Schuhmann	24/313
D177,056	S *	3/1956	Lowrie	D11/1
D332,585	S *	1/1993	Olson	D11/201
D453,125	S *	1/2002	Citton	D11/216
D631,393	S *	1/2011	Shani et al.	D11/216
D632,215	S *	2/2011	Shani et al.	D11/216
D632,217	S *	2/2011	Shani et al.	D11/216
D632,612	S *	2/2011	Shani et al.	D11/216
D703,581	S *	4/2014	Kelleghan	D11/216

* cited by examiner

Primary Examiner — Ralf Seifert

(74) *Attorney, Agent, or Firm* — Coastal Patent Law Group, P.C.

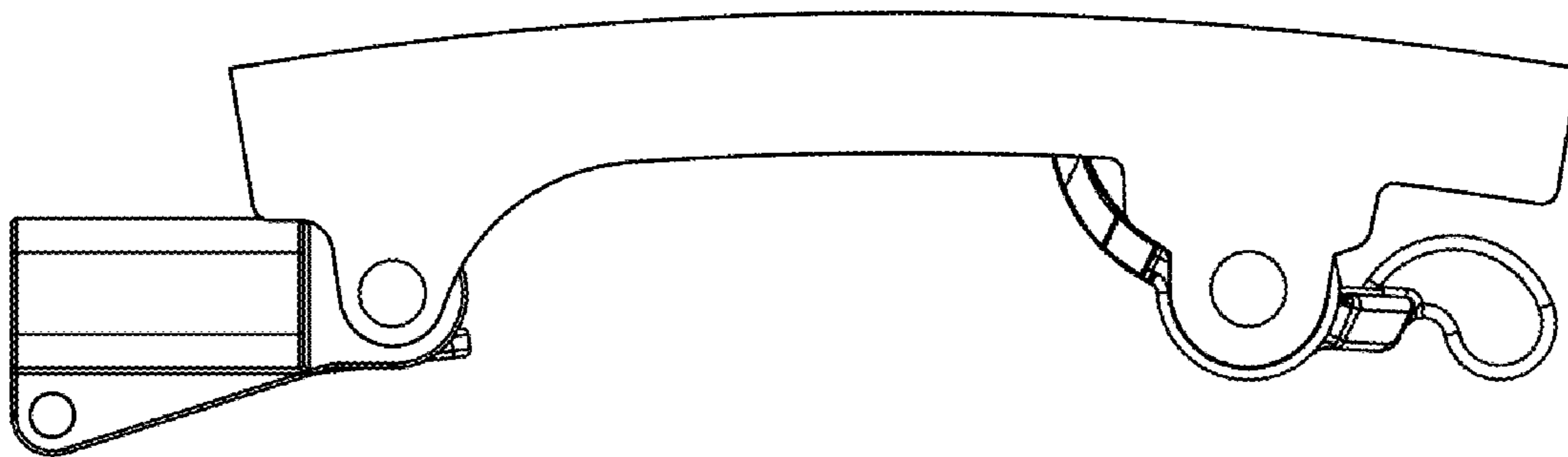
(57) **CLAIM**

I claim the ornamental design for a trakline belt buckle, as shown and described.

DESCRIPTION

FIG. 1 shows a front side of a trakline belt buckle;
 FIG. 2 shows a rear side thereof;
 FIG. 3 shows a left-side thereof;
 FIG. 4 shows a right-side thereof;
 FIG. 5 shows a bottom side thereof; and,
 FIG. 6 shows a top side thereof.

1 Claim, 2 Drawing Sheets



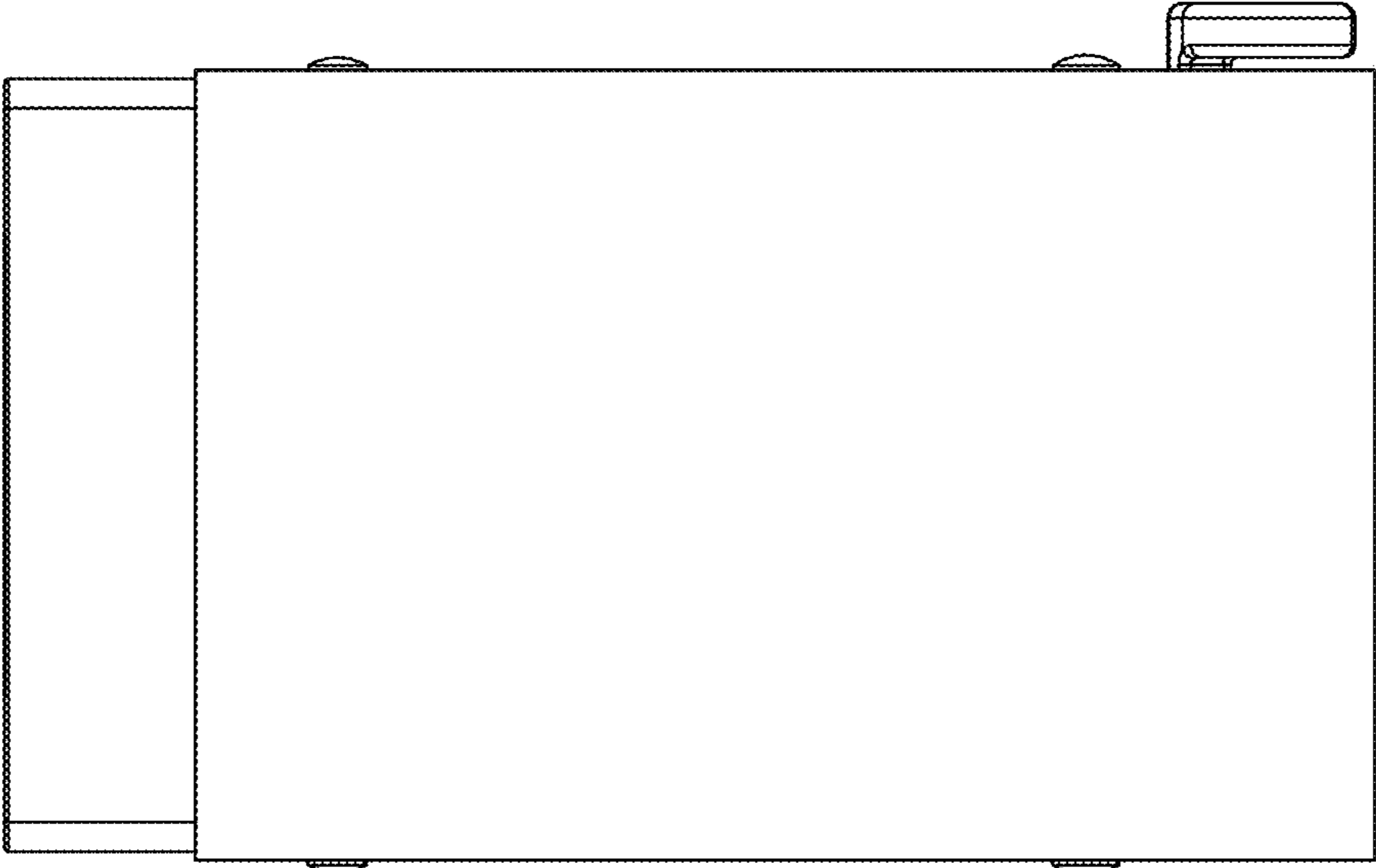


FIG. 1

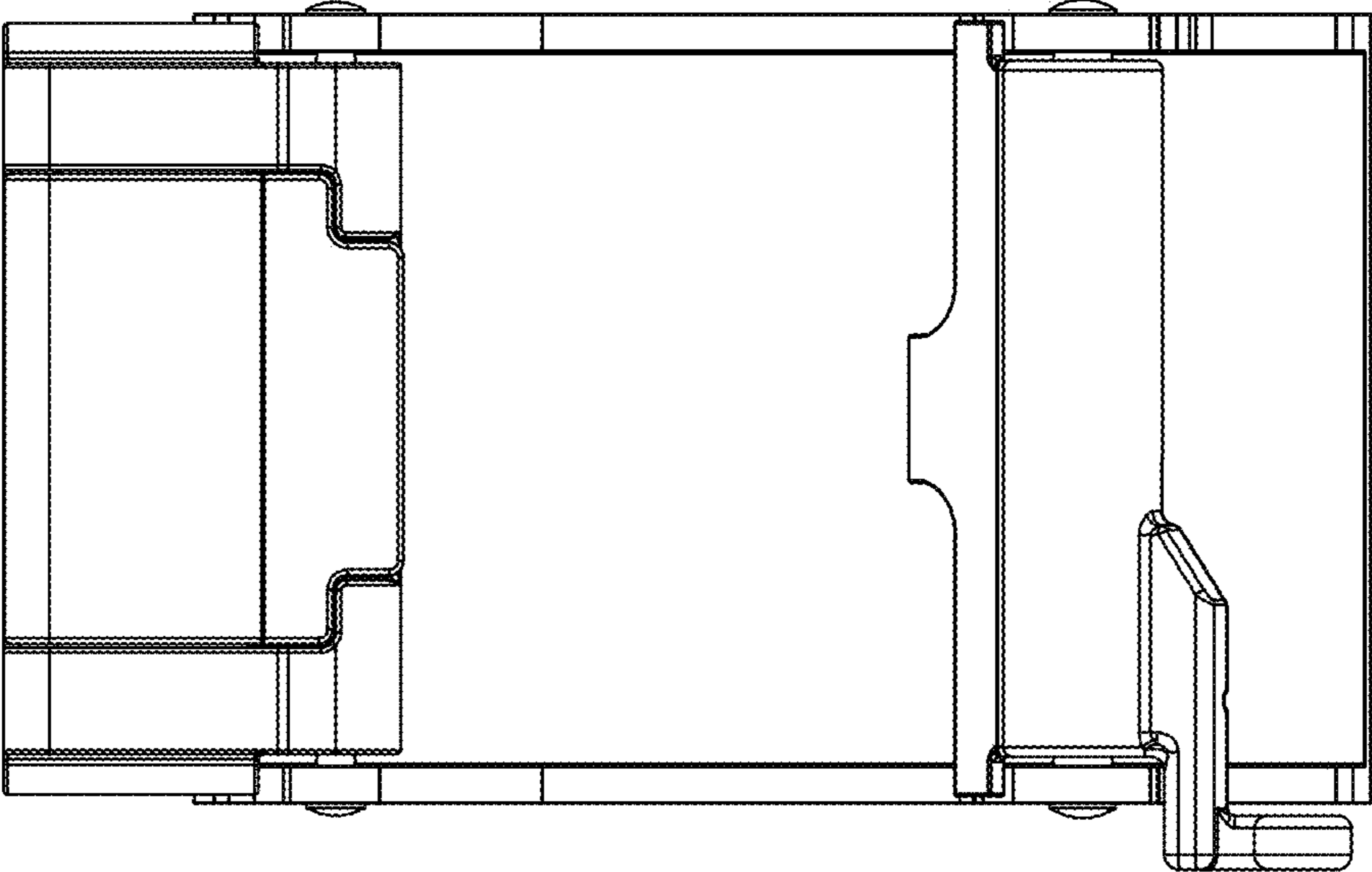


FIG. 2

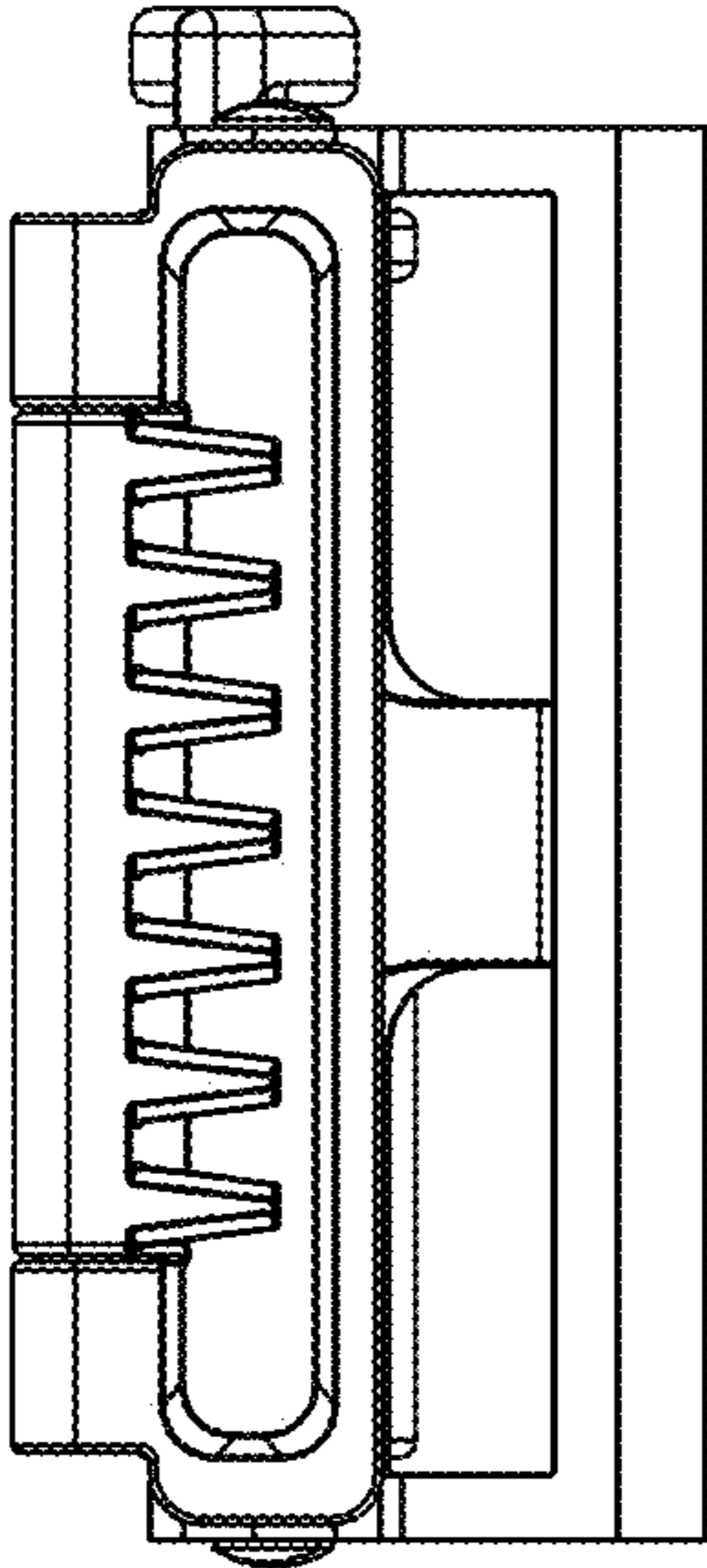


FIG. 3

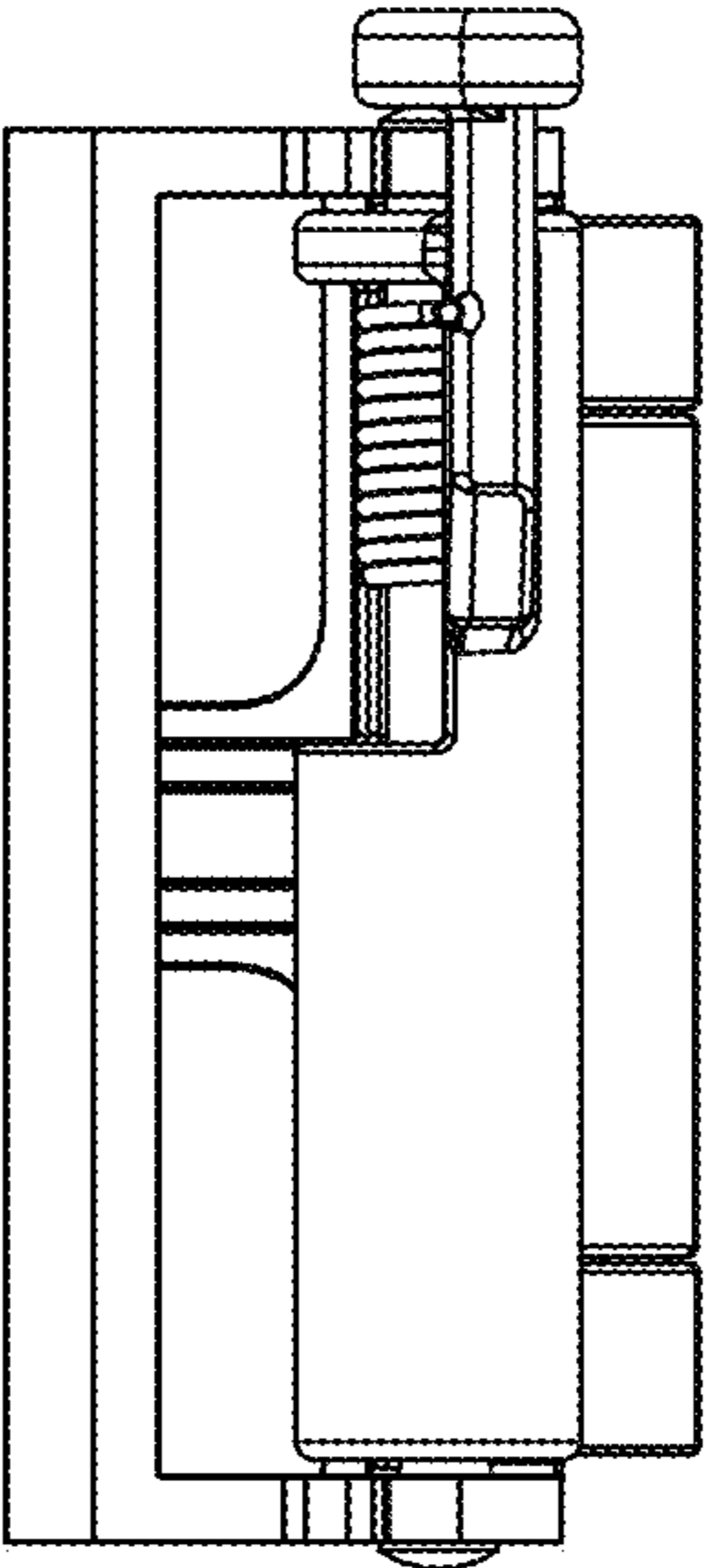


FIG. 4



FIG. 5

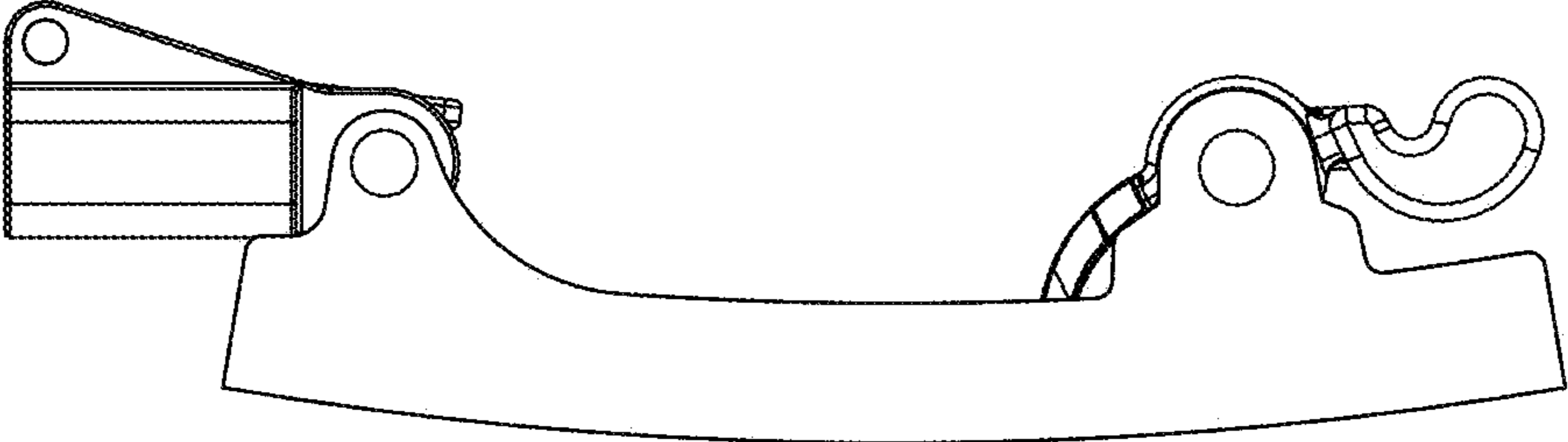


FIG. 6