



US00D748007S

(12) **United States Design Patent**
Carter

(10) **Patent No.:** **US D748,007 S**

(45) **Date of Patent:** **** Jan. 26, 2016**

(54) **ORNAMENT HAVING A TOMB WITH STONE ROLLED AWAY**

D549,127 S * 8/2007 Peters, Jr. D11/83
D580,813 S * 11/2008 Trimble D11/81
8,539,792 B2 * 9/2013 Barnes A44C 25/00
63/1.11

(71) Applicant: **Sheila J. Carter**, Bloomington, IN (US)

* cited by examiner

(72) Inventor: **Sheila J. Carter**, Bloomington, IN (US)

Primary Examiner — Cynthia Ramirez

(**) Term: **14 Years**

Assistant Examiner — Llorellys Martinez-Rivera

(21) Appl. No.: **29/491,350**

(74) *Attorney, Agent, or Firm* — Taft Stettinius & Hollister, LLP

(22) Filed: **May 20, 2014**

(57) **CLAIM**

(51) **LOC (10) Cl.** **11-01**

The ornamental design for an ornament having a tomb with stone rolled away, as shown and described.

(52) **U.S. Cl.**
USPC **D11/48**

DESCRIPTION

(58) **Field of Classification Search**
USPC D11/1–50, 53, 56, 63, 65–69, 70, 74,
D11/77–92, 121, 125, 128, 200, 206, 207;
63/1.11, 1.12, 1.13, 1.14, 1.15, 1.16,
63/1.17, 1.18, 3, 3.1, 3.2, 12, 13, 14.1,
63/14.2, 14.3, 14.4, 14.5, 14.6, 14.7, 14.8,
63/18, 20, 21, 22, 23, 26, 27, 29.1, 30–33;
D99/25
CPC A44C 25/001; A44C 25/00; A44C 27/003;
A44C 3/00; A44C 5/003; A44C 5/2042;
A44C 7/00; A44C 7/002; A44C 7/003
See application file for complete search history.

A portion of the disclosure of this patent document contains material to which a claim for copyright is made. The copyright owner has no objection to the facsimile reproduction by anyone of the patent document or the patent disclosure, as it appears in the Patent and Trademark Office patent file or records, but reserves all other copyright rights whatsoever. FIG. 1 is a front elevation view of an ornament having a tomb with stone rolled away showing my new design; FIG. 2 is a side elevation view thereof; FIG. 3 is an opposite side elevation view thereof; FIG. 4 is a top plan view thereof; FIG. 5 is a bottom plan view thereof; FIG. 6 is a rear view thereof; FIG. 7 is a perspective view thereof; and, FIG. 8 is a front elevation view thereof, showing the ornament having a tomb with stone rolled away in a configuration of use.

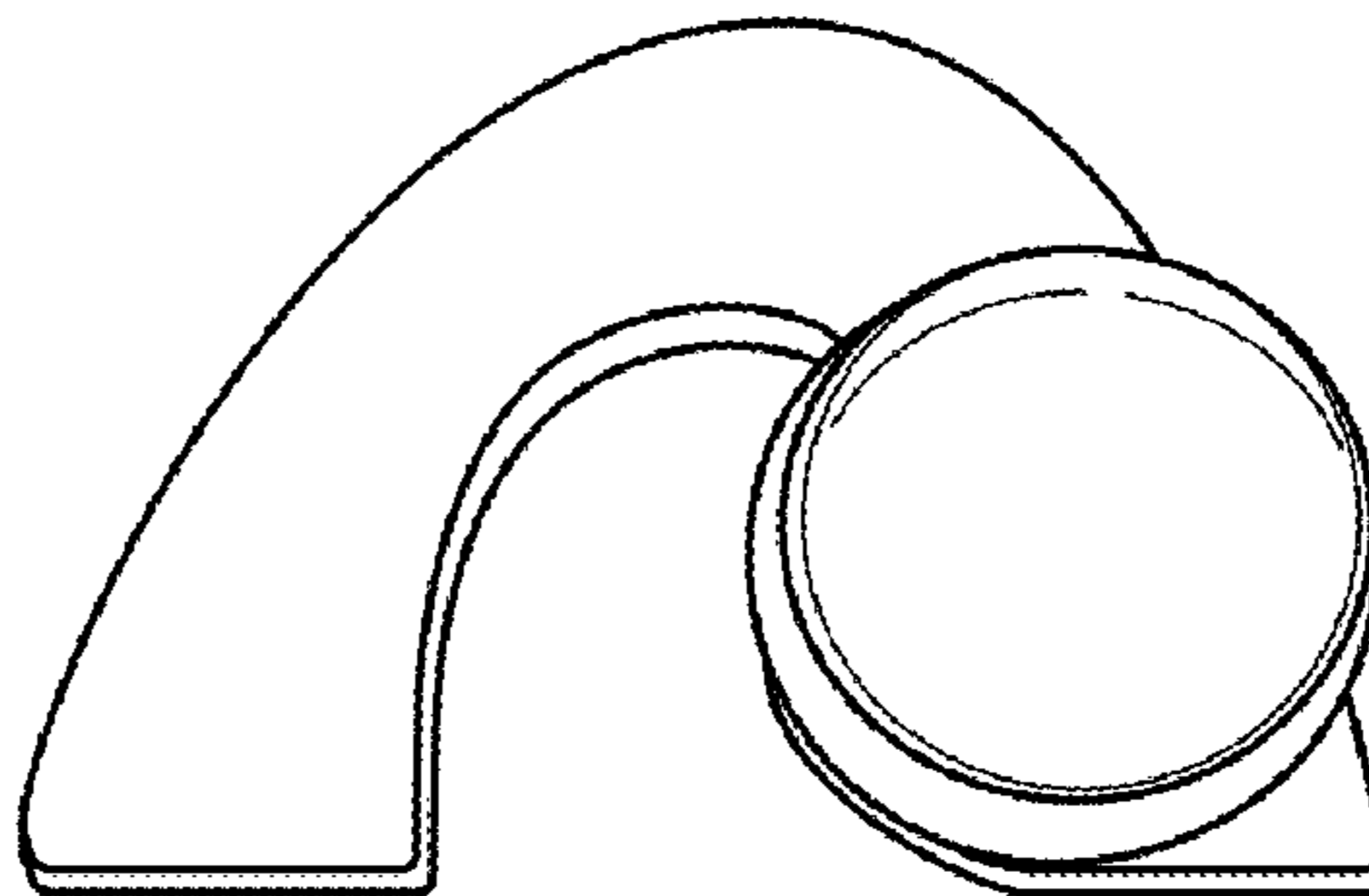
(56) **References Cited**

U.S. PATENT DOCUMENTS

D150,929 S * 9/1948 Chernow D11/40
D361,954 S * 9/1995 Colpo D11/87
D388,730 S * 1/1998 Greenberger D11/34
D388,732 S * 1/1998 Campbell D11/81
D388,733 S * 1/1998 Campbell D11/81
D400,467 S * 11/1998 Campbell D11/81
D418,079 S * 12/1999 Porcell D11/40
D431,491 S * 10/2000 Sprawls D11/81

The broken lines shown in FIGS. 2-4 illustrate portions of the ornament having a tomb with stone rolled away which form no part of the claimed design. The other broken lines shown in FIG. 8 illustrate environmental subject matter and form no part of the claimed design. The ornament includes a pin-type, pendant, or stick-on adornment in the nature of jewelry or a hanging decoration.

1 Claim, 2 Drawing Sheets



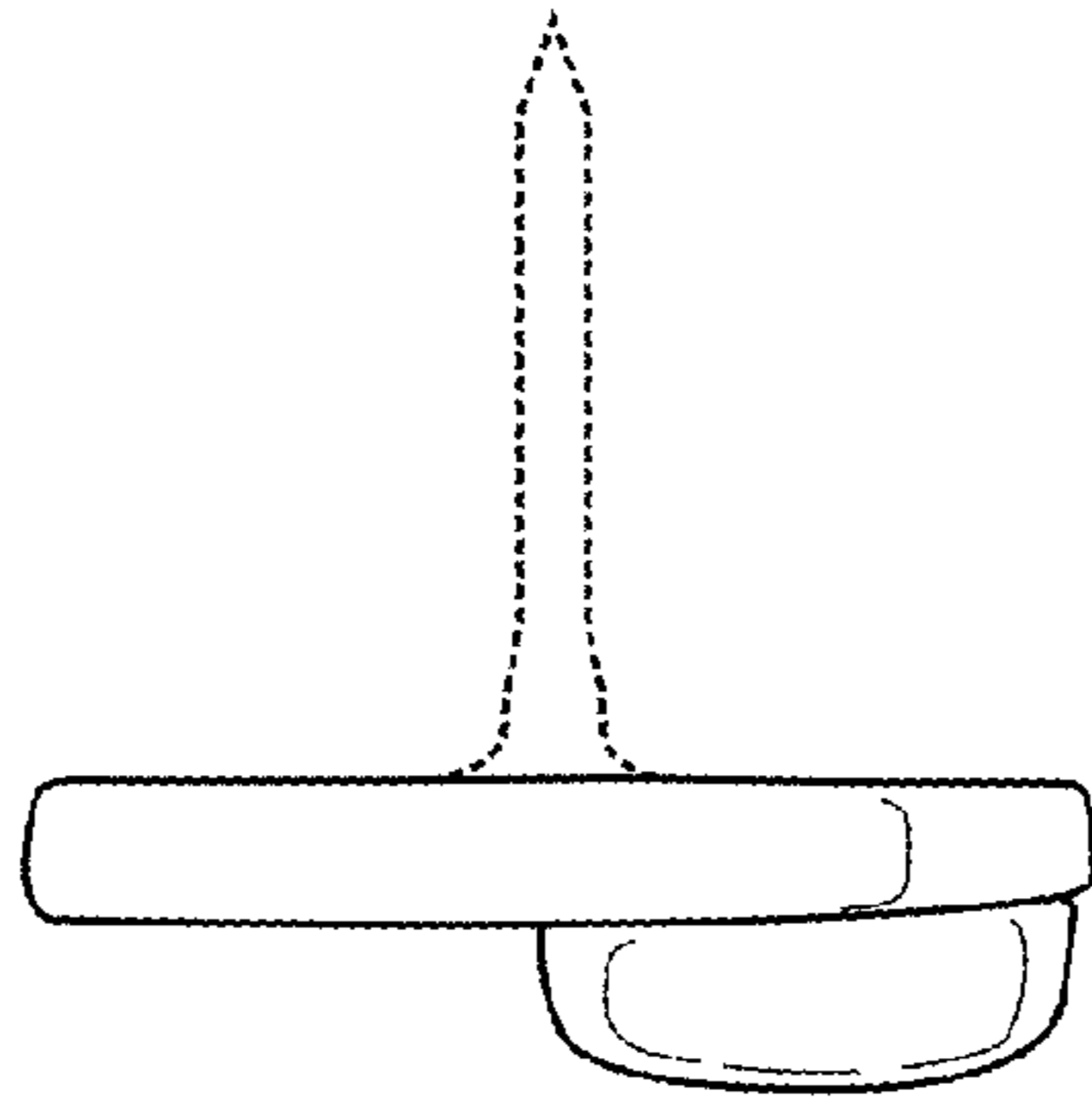


Fig.4

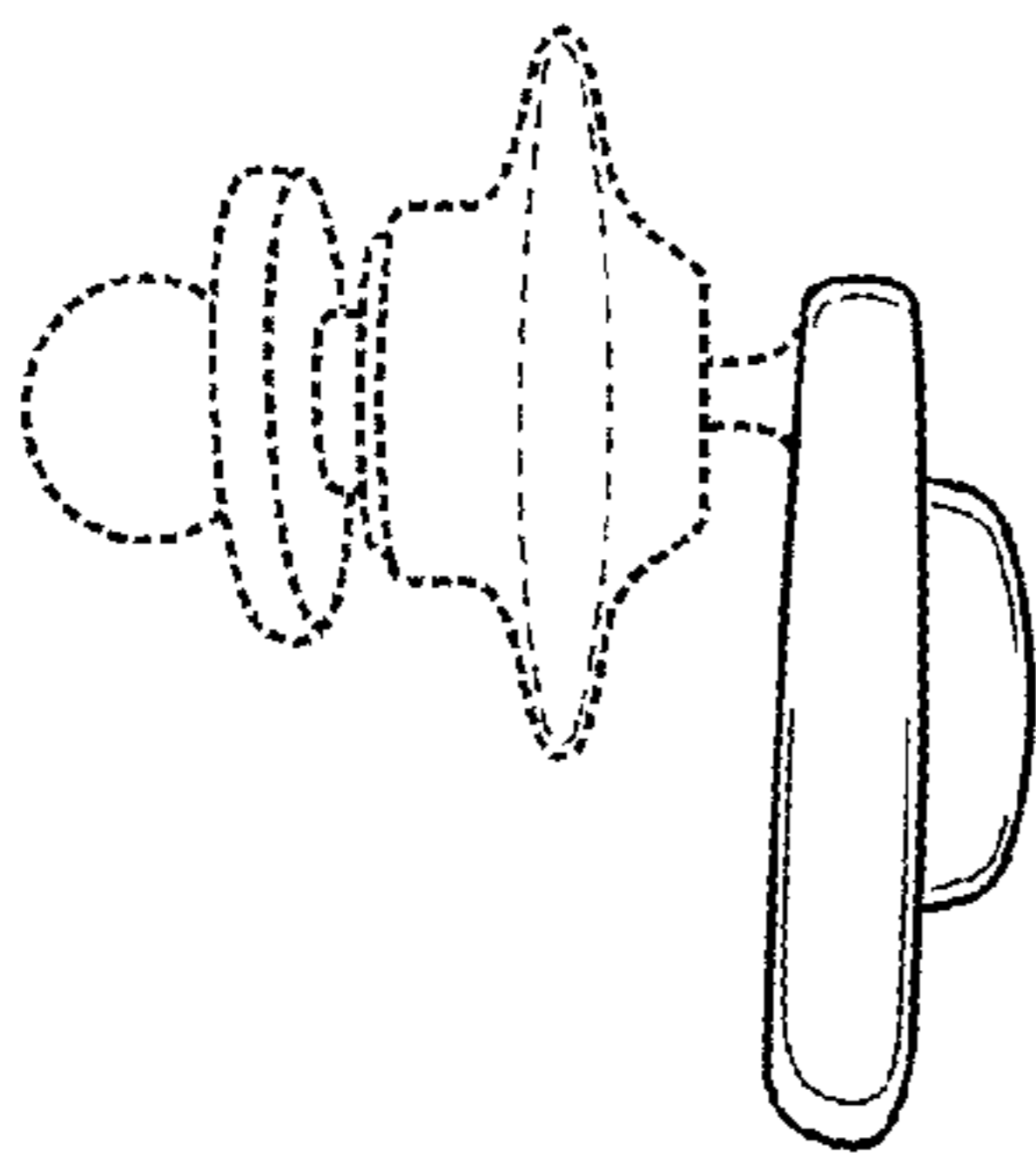


Fig.2

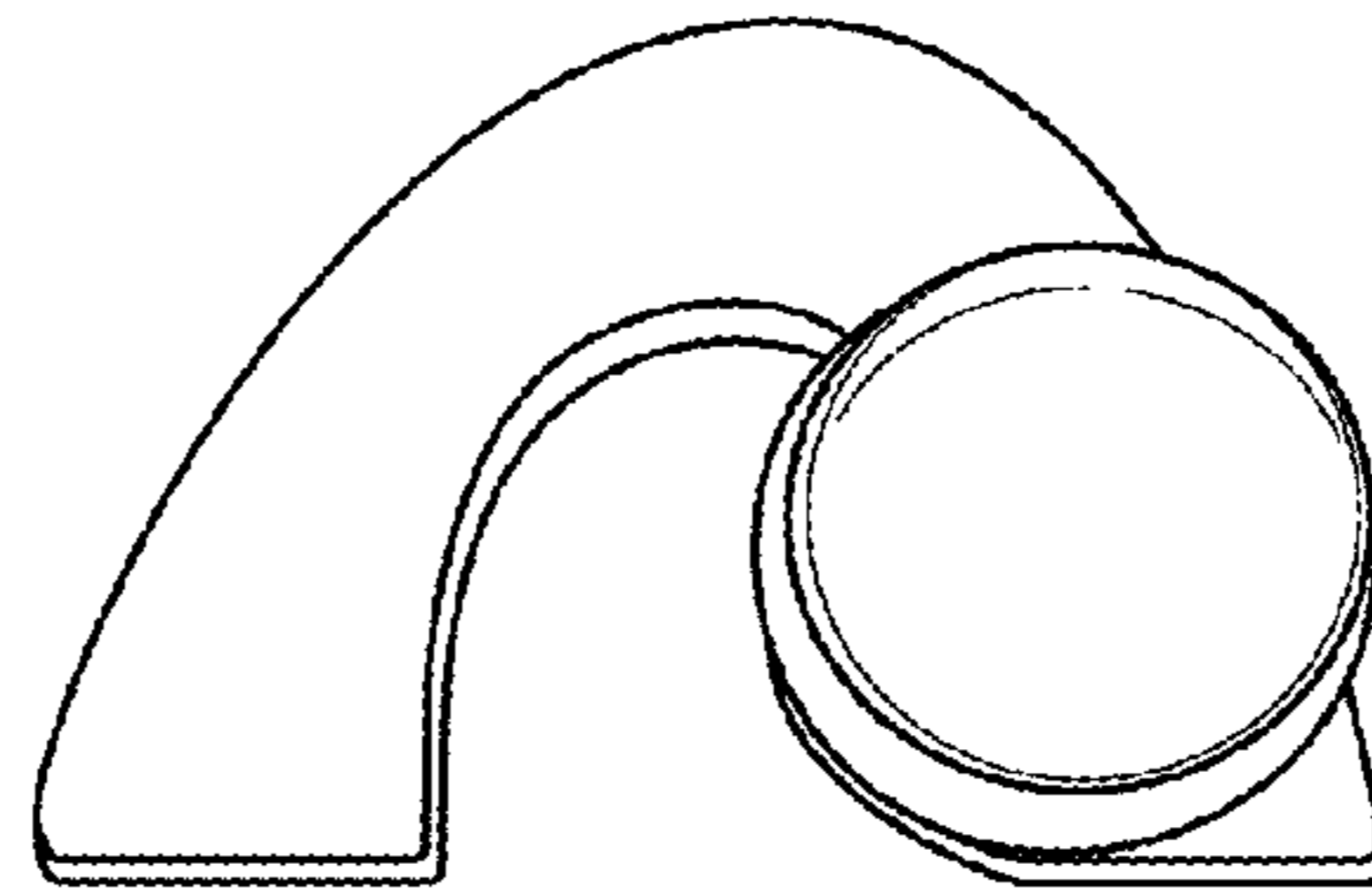


Fig.1

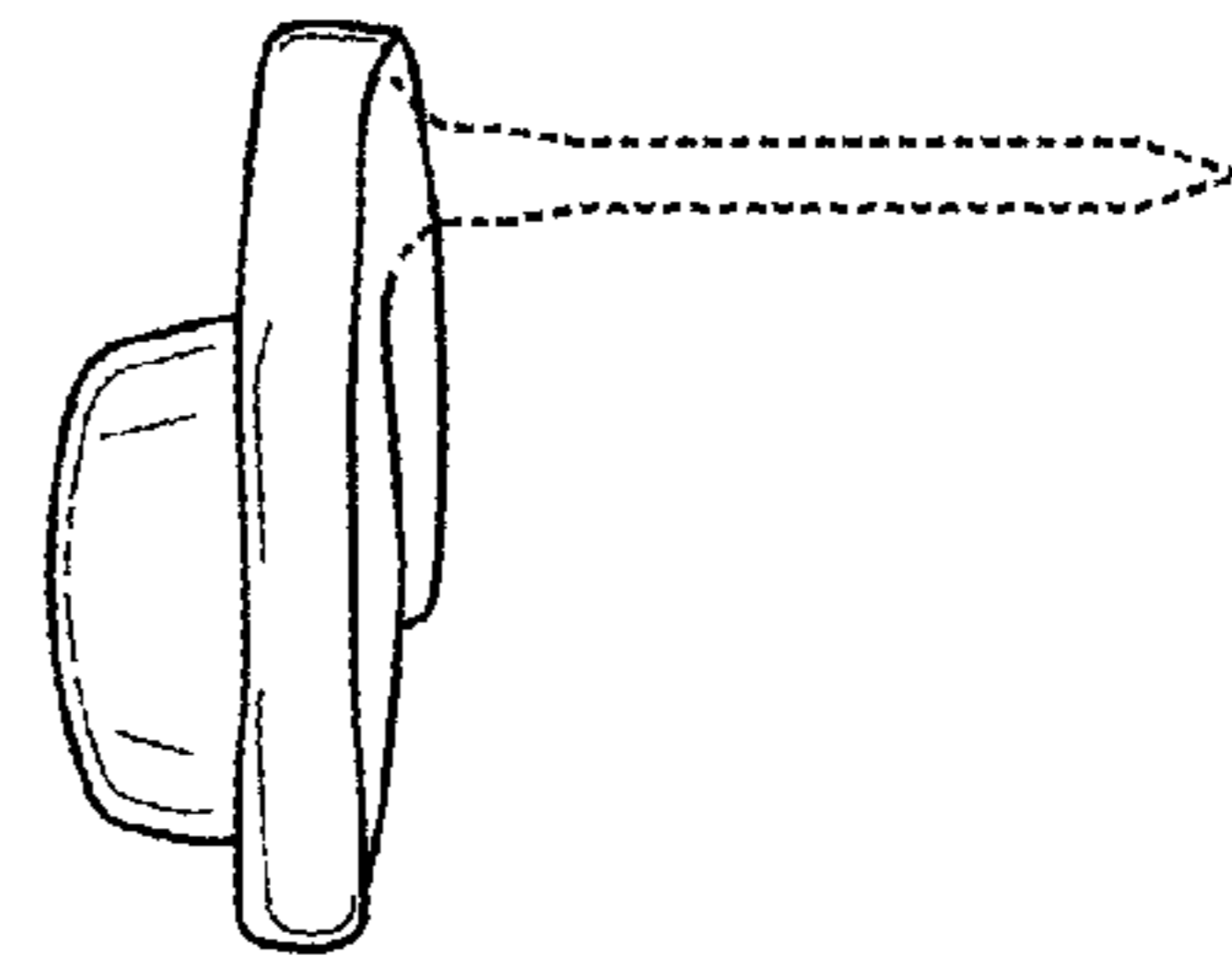


Fig.3

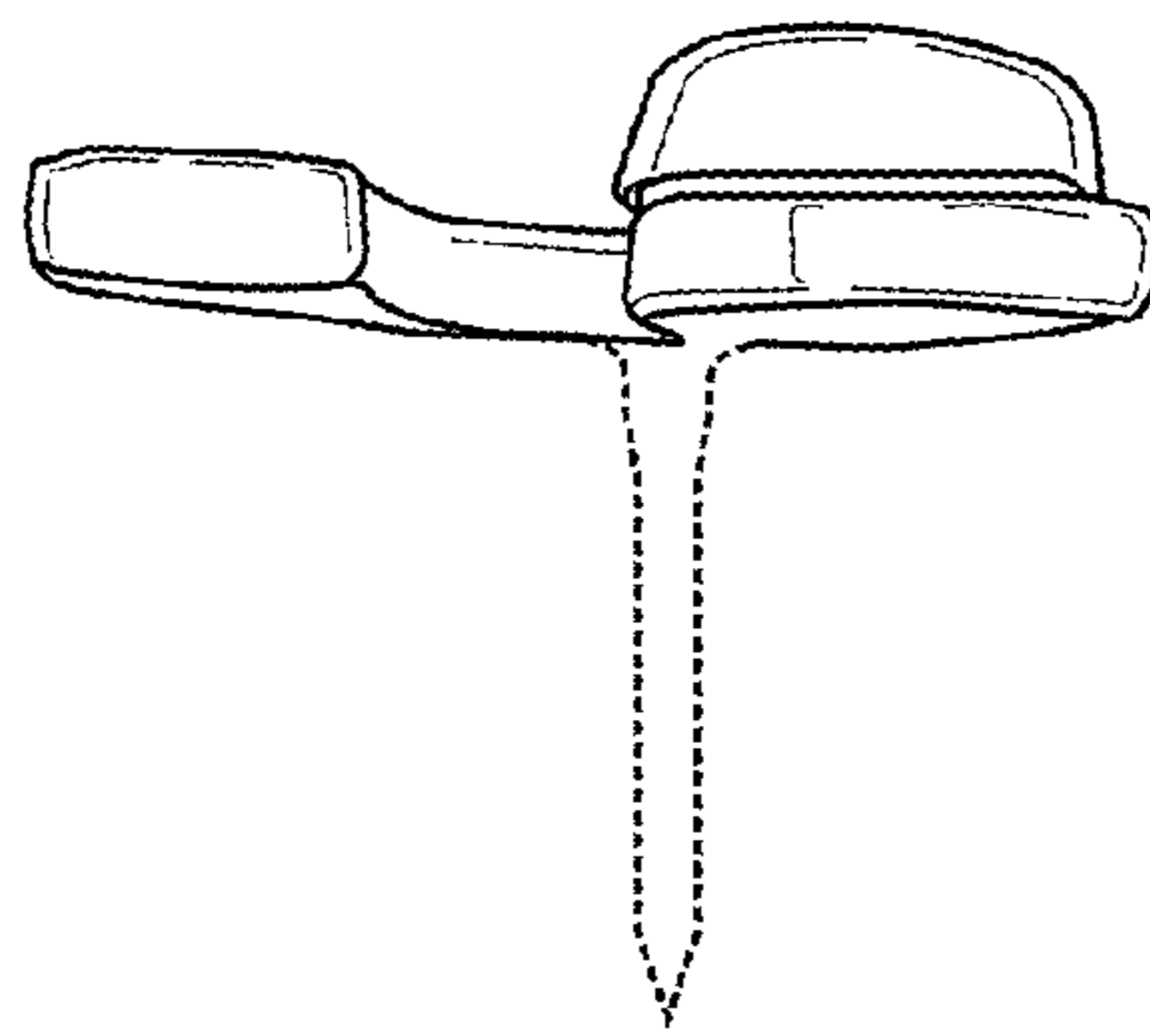


Fig.5

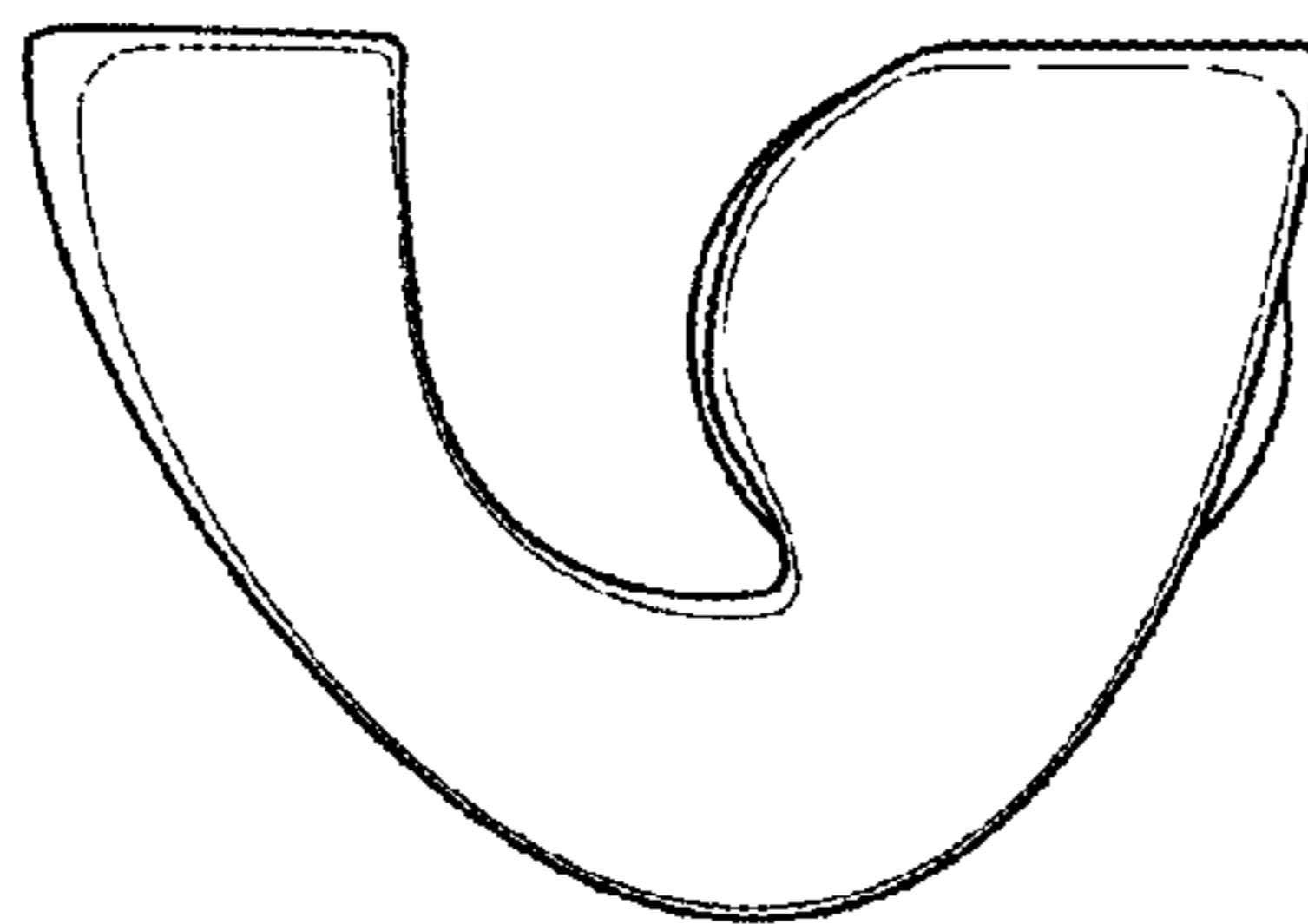


Fig.6

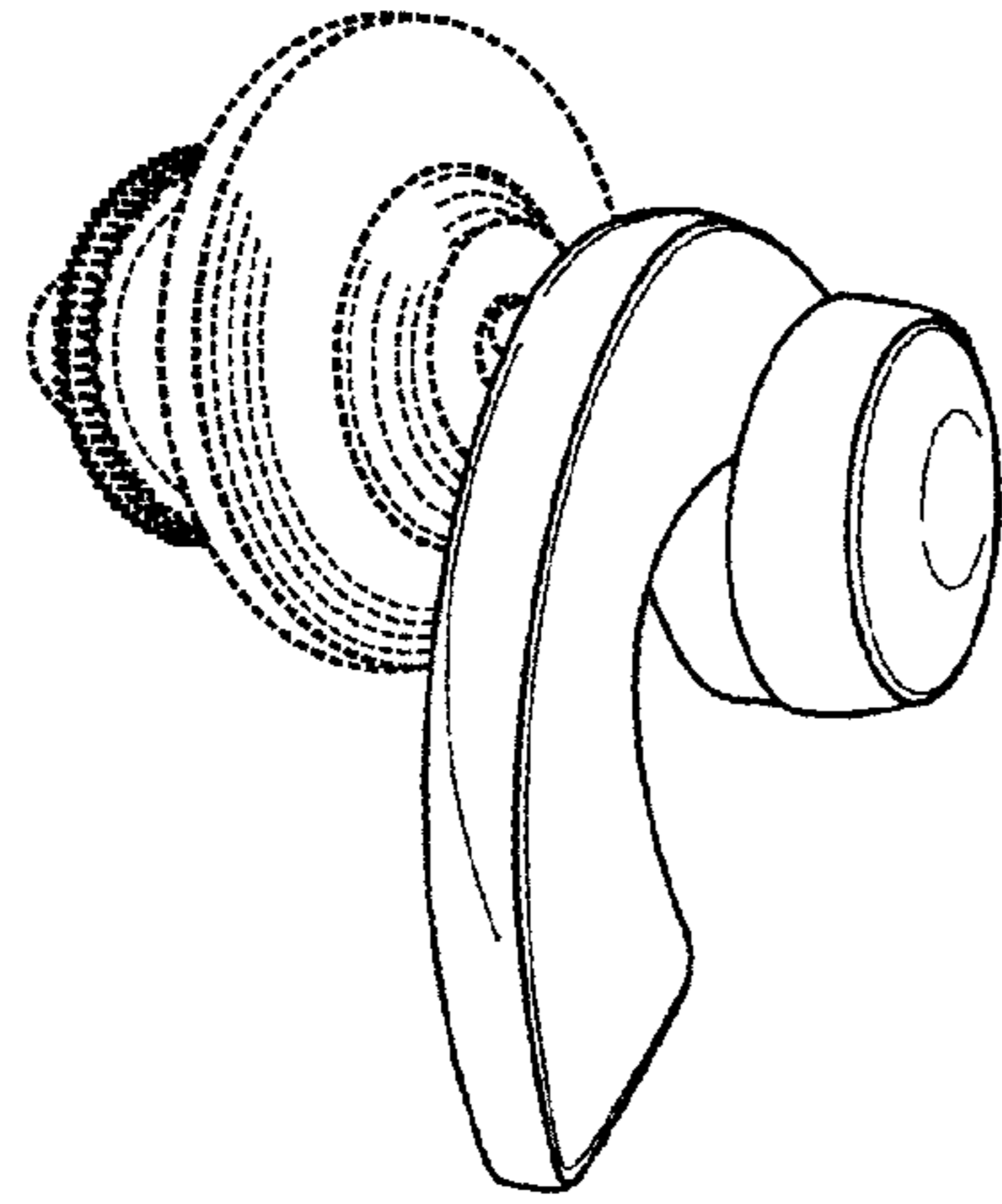


Fig.7

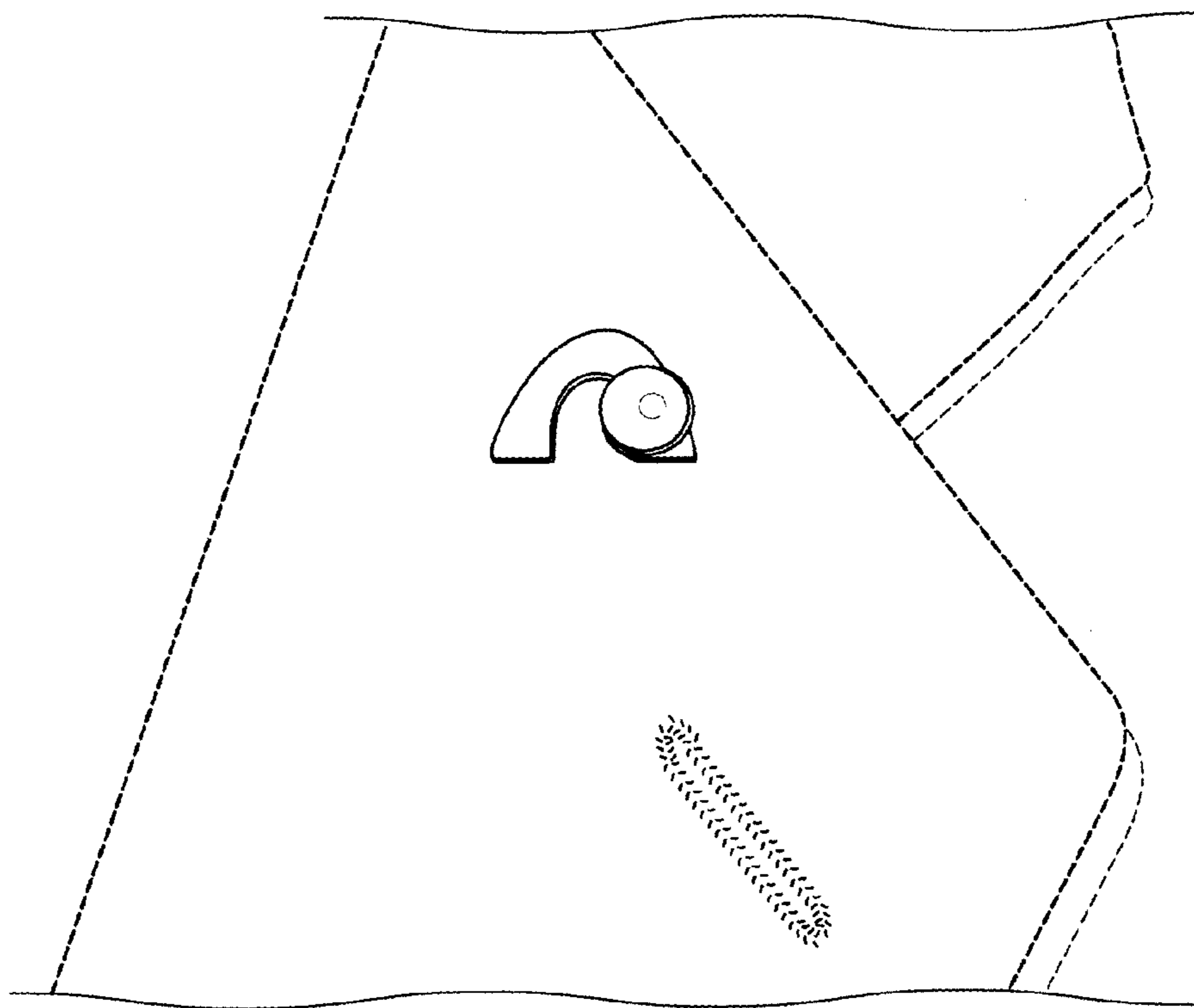


Fig.8