



US00D748006S

(12) **United States Design Patent**
Vartanian

(10) **Patent No.:** **US D748,006 S**
(45) **Date of Patent:** **** Jan. 26, 2016**

(54) **EARRING**

(71) Applicant: **Jack Vartanian**, São Paulo (BR)
(72) Inventor: **Jack Vartanian**, São Paulo (BR)
(73) Assignee: **JACK VARTANIAN EPP**, Sao Paulo (BR)

(**) Term: **14 Years**

(21) Appl. No.: **29/484,340**

(22) Filed: **Mar. 7, 2014**

(30) **Foreign Application Priority Data**

Sep. 9, 2013 (BR) 302013004506

(51) **LOC (10) Cl.** **11-01**

(52) **U.S. Cl.**
USPC **D11/42**

(58) **Field of Classification Search**
USPC D11/1, 2, 40-52, 79-86, 91, 92; 63/12,
63/13, 14, 18, 26-28, 29.1, 29.2, 31, 32,
63/1.11, 35
See application file for complete search history.

(56) **References Cited**

U.S. PATENT DOCUMENTS

D132,457 S *	5/1942	Nathan	D11/75
D145,263 S *	7/1946	Philippe	D11/40
D152,068 S	12/1948	Donchi	
D156,312 S *	12/1949	Bogoff	D11/40
D172,623 S	7/1954	Katz	
D257,026 S *	9/1980	Barr	D11/75
D279,878 S *	7/1985	Moon	D11/43
D335,471 S *	5/1993	Coleman	D11/79
D381,925 S *	8/1997	Bergannini	D11/42
D386,439 S *	11/1997	Itzkowitz	D11/41
D394,824 S *	6/1998	Itzkowitz	D11/79

D406,246 S	3/1999	Bulgari	
D417,636 S	12/1999	Ambar	
D439,190 S *	3/2001	Itzkowitz D11/26
D442,110 S *	5/2001	Edmond D11/40
D447,716 S *	9/2001	Itzkowitz D11/26
D452,183 S	12/2001	Pinto	
D460,714 S	7/2002	Steinberg	
D485,778 S *	1/2004	Steckbeck D11/7
D485,779 S *	1/2004	Steckbeck D11/7
D486,416 S *	2/2004	Pachachi D11/40

(Continued)

OTHER PUBLICATIONS

[Online] <http://media-cache-ec0.pinning.com/736x/c7/84/f1/c784f163e3fcb9749c47f66cec011f52.jpg>. Retrieved Sep. 11, 2014.*

(Continued)

Primary Examiner — Jennifer Rivard
Assistant Examiner — Melanie Pellegrini
(74) *Attorney, Agent, or Firm* — Ladas & Parry, LLP

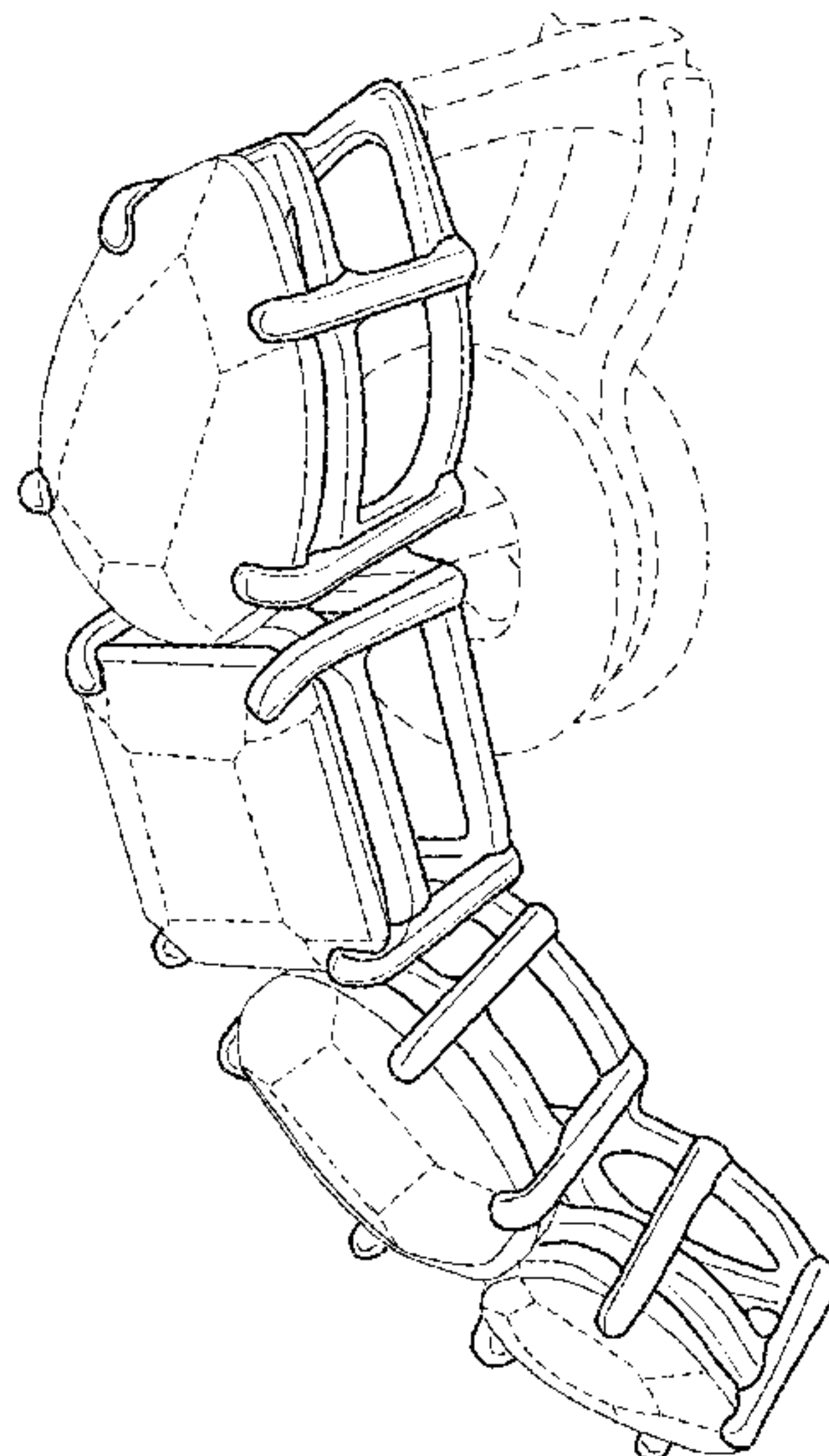
(57) **CLAIM**

The ornamental design for an earring, as shown and described.

DESCRIPTION

FIG. 1 is a front perspective view of a first embodiment of an earring showing my new design;
FIG. 2 is a front view of the design thereof;
FIG. 3 is a rear view of the design thereof;
FIG. 4 is a right side view of the design thereof;
FIG. 5 is a left side view of the design thereof;
FIG. 6 is a top perspective view of the design thereof; and,
FIG. 7 is a bottom perspective view of the design thereof.
The broken lines in the drawings represent portions of the earring which form no part of the claimed design.
The design of the earring includes a second embodiment which is a mirror image of the first embodiment.

1 Claim, 4 Drawing Sheets



(56)

References Cited

U.S. PATENT DOCUMENTS

D499,046 S	11/2004	Pinto	
D511,310 S	* 11/2005	Gruosi	D11/41
D642,088 S	7/2011	Kothari	
D655,219 S	3/2012	Kothari	
D666,522 S	9/2012	Dholakiya	
D674,315 S	1/2013	Dholakiya	
D679,215 S	4/2013	Roehl	
D682,139 S	5/2013	Kothari	
2011/0056242 A1	3/2011	Chan	

OTHER PUBLICATIONS

U.S. Appl. No. 29/467,066, filed Sep. 13, 2013, Vartanian.
 U.S. Appl. No. 29/469,684, filed Oct. 12, 2013, Vartanian.
 U.S. Appl. No. 29/472,467, filed Nov. 12, 2013, Vartanian.
 U.S. Appl. No. 29/472,468, filed Nov. 12, 2013, Vartanian.
 U.S. Appl. No. 29/482,689, filed Feb. 20, 2014, Vartanian.
 U.S. Appl. No. 29/483,607, filed Feb. 28, 2014, Vartanian.
 U.S. Appl. No. 29/483,609, filed Feb. 28, 2014, Vartanian.
 U.S. Appl. No. 29/483,610, filed Feb. 28, 2014, Vartanian.
 U.S. Appl. No. 29/483,611, filed Feb. 28, 2014, Vartanian.
 U.S. Appl. No. 29/483,914, filed Mar. 4, 2014, Vartanian.
 U.S. Appl. No. 29/484,341, filed Mar. 7, 2014, Vartanian.
 U.S. Appl. No. 29/484,502, filed Mar. 10, 2014, Vartanian.
 Picture of table, taken on Jul. 16, 2014.
 [Online] <http://cherylkremkow.com/core/wp-content/uploads/2014/07/Jack-Vartanian-Ruby.jpg>. Retrieved Sep. 15, 2014.
 [Online] <http://mdemulher.abril.com.br/blogs/modaspot-news/files/legado/2013/03/joias.jpg>. Retrieved Aug. 21, 2014.
 [Online] <http://media-cache-ak0.pinimg.com/236x/28/58/c6/2858c6829b4485a5e6022552327a81e5.jpg>. Retrieved Sep. 17, 2014.
 [Online] <http://media-cache-ak0.pinimg.com/236x/77/c6/94/77c694ba4375d2e3fbf93b28e187b9d3.jpg>. Retrieved Sep. 11, 2014.
 [Online] <http://media-cache-ak0.pinimg.com/736x/24/f6/e7/24f6e7fba27f0b3c111e32ec62d3e273.jpg>. Retrieved Sep. 17, 2014.

[Online] <http://media-cache-ec0.pinimg.com/236x/7e/91/ff/7e91ff2bb400a39579acf5d39c021196.jpg>. Retrieved Sep. 17, 2014.
 [Online] <http://media-cache-ec0.pinimg.com/736x/23/ff/eb/23ffeb119625af9a8b1104757e0a166e.jpg>. Retrieved Sep. 17, 2014.
 [Online] <http://onlinestore.jackvartanian.com/coliection/new-desire#!campanha/0>. Retrieved Jun. 26, 2014.
 [Online] <http://onlinestore.jackvartanian.com/coliection/new-desire#!campanha/3>. Retrieved Jun. 26, 2014.
 [Online] <http://thefashion-court.com/wp-content/uploads/2014/06/jack-vartanian-universal-diamond-ear-climbers-earrings.png>. Retrieved Sep. 17, 2014.
 [Online] <http://thefashion-court.com/wp-content/uploads/2014/08/jack-vartanian-diamond-ear-climbers-black.png>. Retrieved Sep. 17, 2014.
 Office Action from Design U.S. Appl. No. 29/467,066 mailed on Sep. 17, 2014.
 Office Action from Design U.S. Appl. No. 29/469,684 mailed on Aug. 25, 2014.
 Office Action from Design U.S. Appl. No. 29/472,467 mailed on Jun. 27, 2014.
 Office Action from Design U.S. Appl. No. 29/472,468 mailed on Jun. 30, 2014.
 Office Action from Design U.S. Appl. No. 29/482,689 mailed on Oct. 1, 2014.
 Office Action from Design U.S. Appl. No. 29/483,607 mailed on Sep. 23, 2014.
 Office Action from Design U.S. Appl. No. 29/483,609 mailed on Sep. 17, 2014.
 Office Action from Design U.S. Appl. No. 29/483,610 mailed on Sep. 18, 2014.
 Office Action from Design U.S. Appl. No. 29/483,611 mailed on Sep. 22, 2014.
 Office Action from Design U.S. Appl. No. 29/483,914 mailed on Sep. 25, 2014.
 Office Action from Design U.S. Appl. No. 29/484,341 mailed on Sep. 19, 2014.
 Office Action from Design U.S. Appl. No. 29/484,502 mailed on Sep. 22, 2014.

* cited by examiner

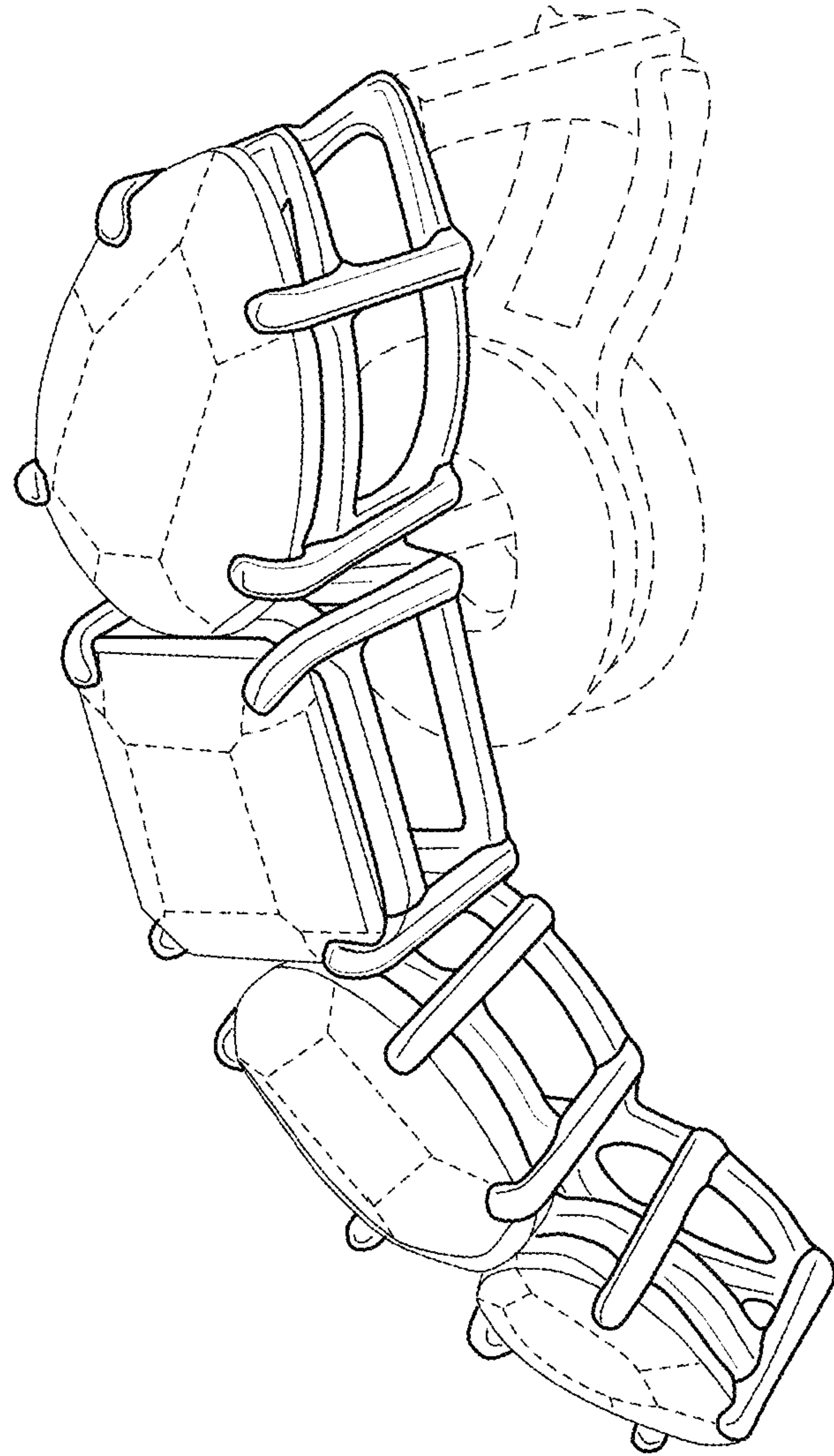


FIG. 1

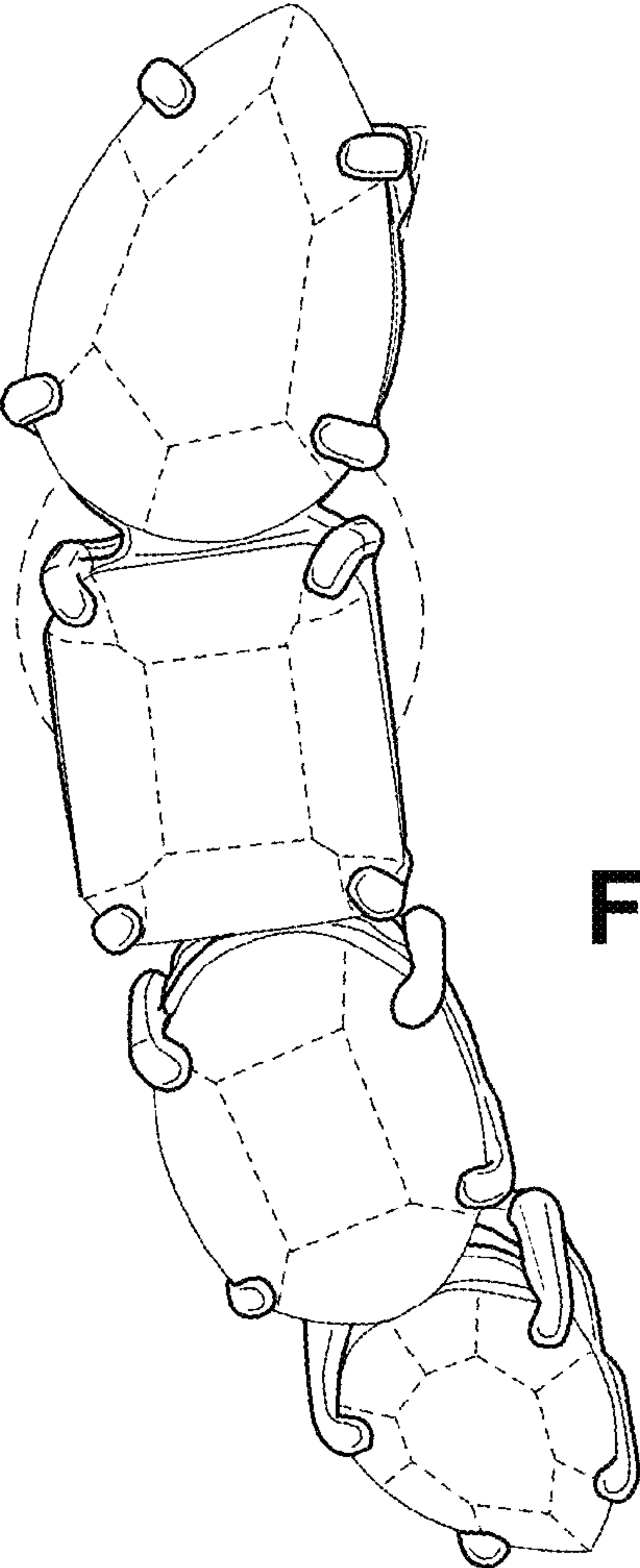


FIG. 2

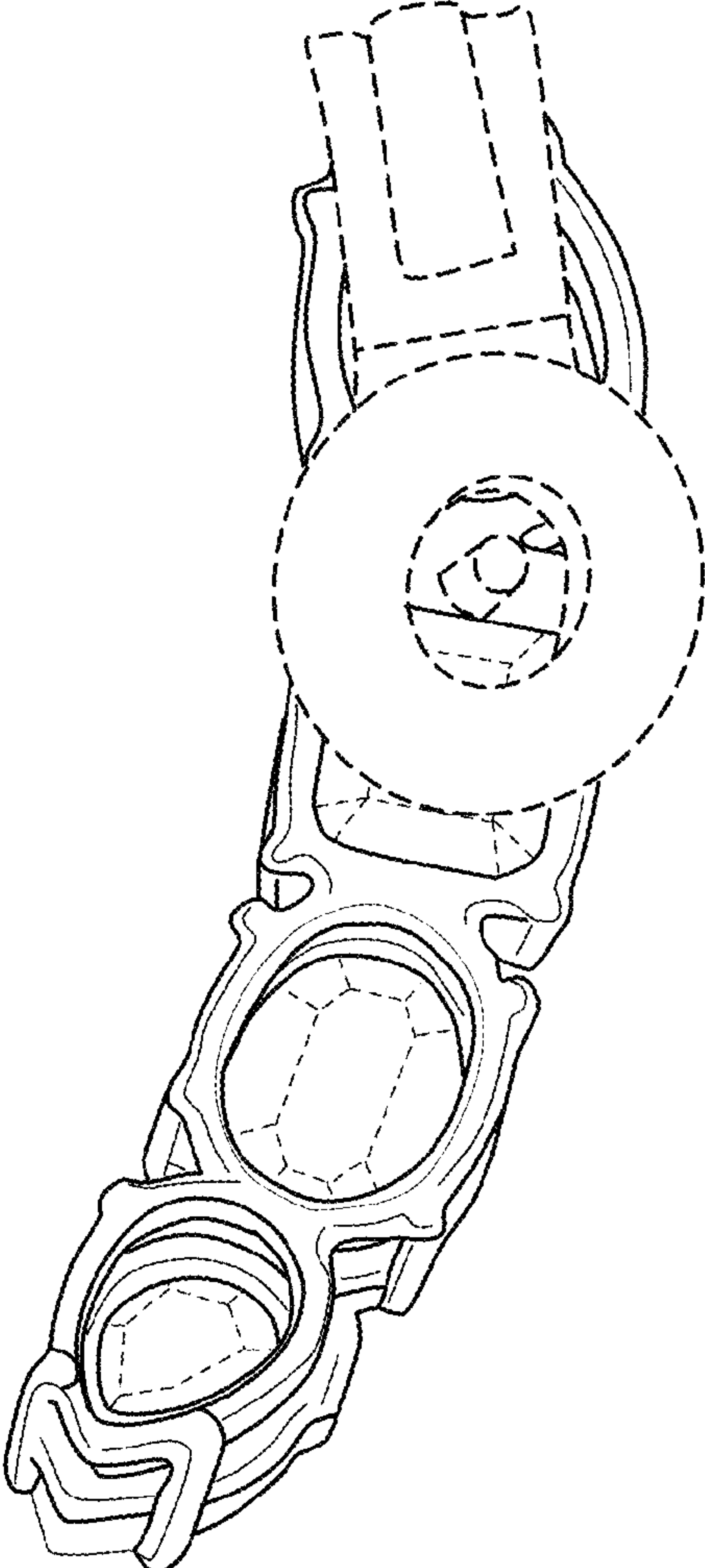


FIG. 3

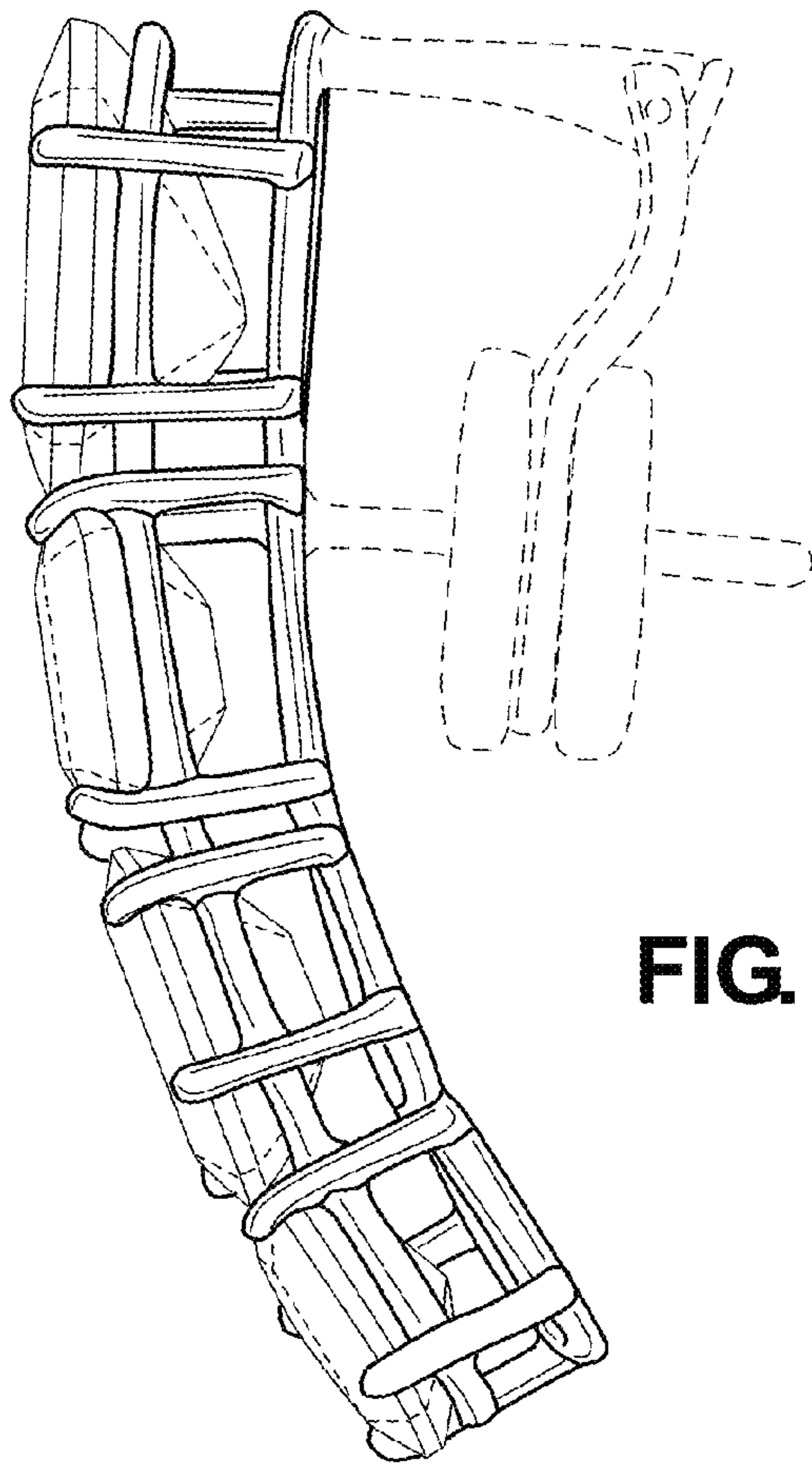


FIG. 4

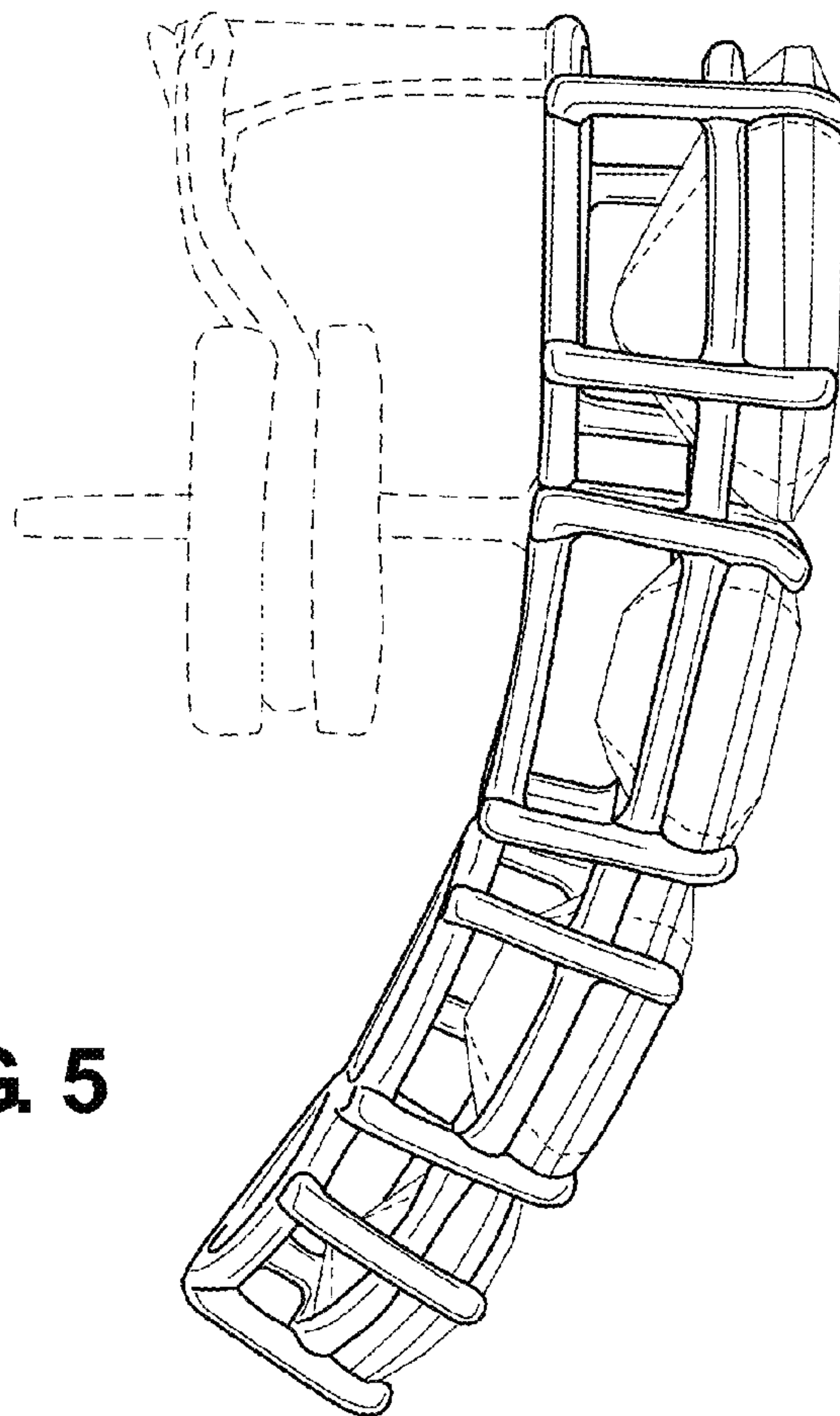


FIG. 5

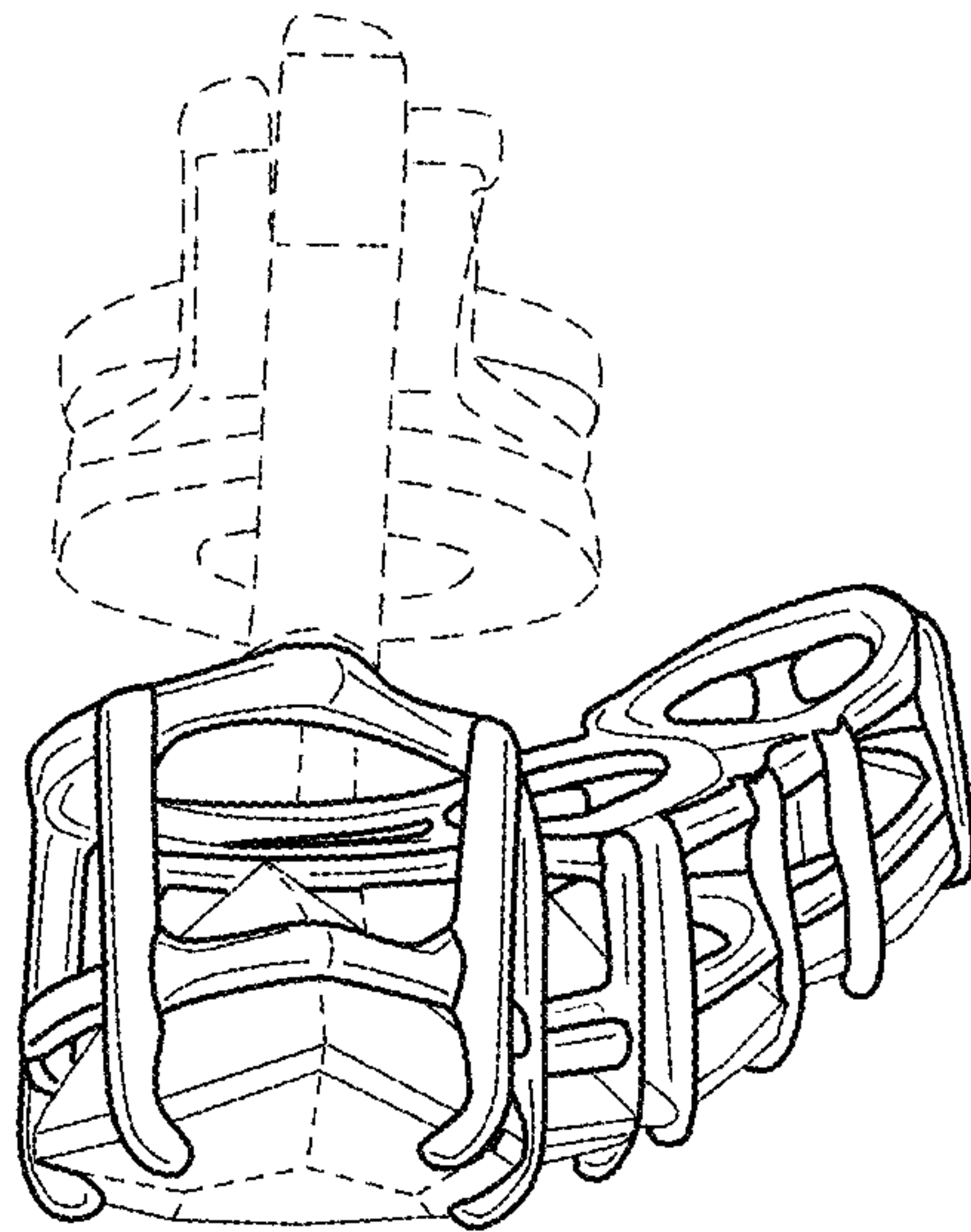


FIG. 6

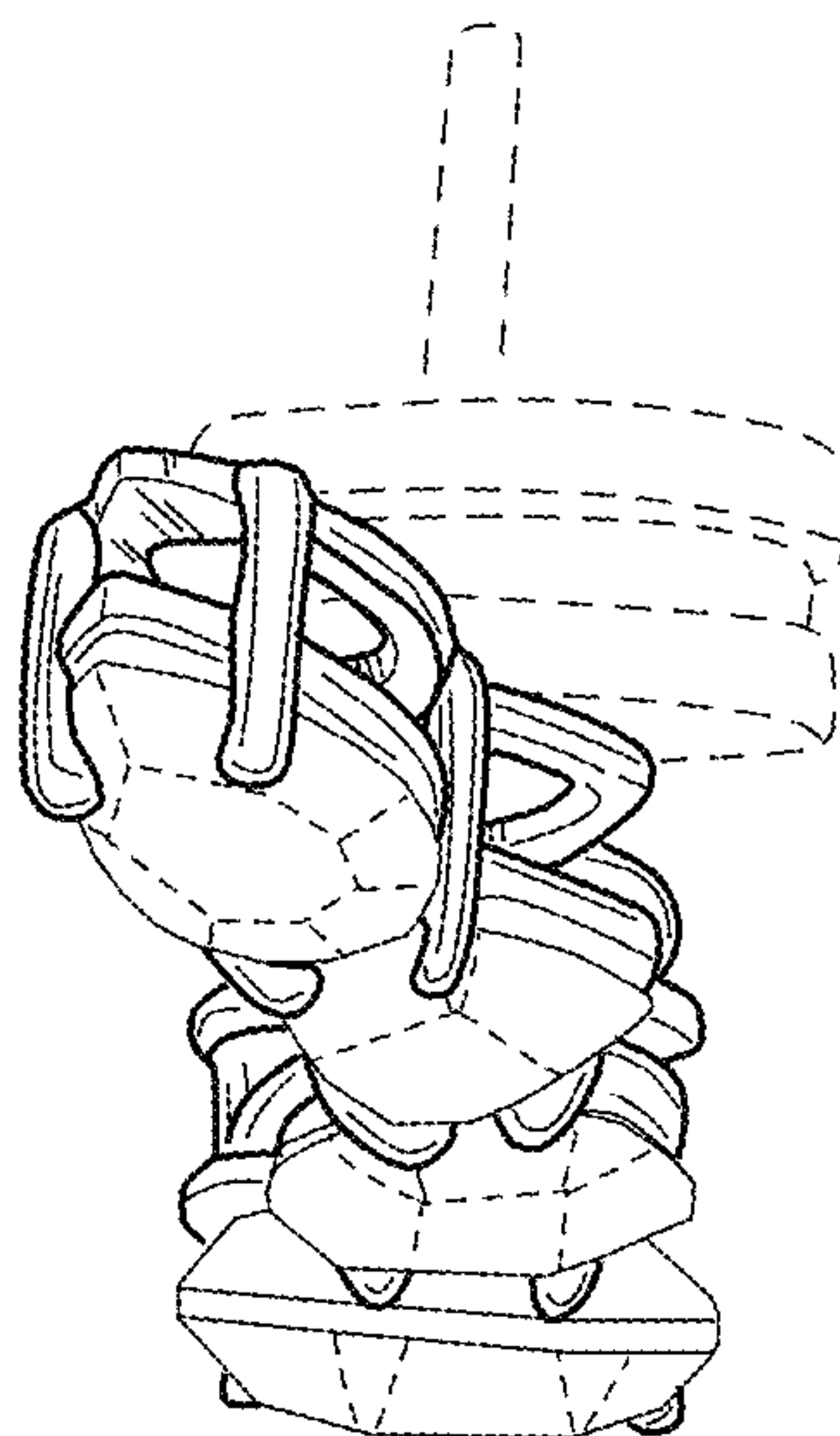


FIG. 7