



US00D748004S

(12) **United States Design Patent**
Vartanian

(10) **Patent No.:** **US D748,004 S**
(45) **Date of Patent:** **** Jan. 26, 2016**

(54) **EARRING**
(71) Applicant: **Jack Vartanian**, São Paulo (BR)
(72) Inventor: **Jack Vartanian**, São Paulo (BR)
(73) Assignee: **JACK VARTANIAN EPP**, Sao Paulo (BR)
(**) Term: **14 Years**

D442,110 S * 5/2001 Edmond D11/40
D447,716 S * 9/2001 Itzkowitz D11/26
D452,183 S * 12/2001 Pinto D11/91
D460,714 S * 7/2002 Steinberg D11/91
D485,778 S 1/2004 Steckbeck
D485,779 S 1/2004 Steckbeck
D486,416 S * 2/2004 Pachachi D11/40
D499,046 S 11/2004 Pinto
D511,310 S * 11/2005 Gruosi D11/41
D642,088 S 7/2011 Kothari
D655,219 S 3/2012 Kothari
D666,522 S 9/2012 Dholakiya

(21) Appl. No.: **29/484,502**

(Continued)

(22) Filed: **Mar. 10, 2014**

OTHER PUBLICATIONS

(30) **Foreign Application Priority Data**

[Online] <http://cherylkremkow.com/core/wp-content/uploads/2014/07/Jack-Vartanian-Ruby.jpg>. Posted online Jul. 25, 2014. Retrieved Sep. 11, 2014.*

Sep. 11, 2013 (BR) 30 2013 004573

(Continued)

(51) **LOC (10) Cl.** **11-01**

(52) **U.S. Cl.**
USPC **D11/40**

(58) **Field of Classification Search**
USPC D11/1, 2, 40-52, 79-86, 91, 92; 63/12, 63/13, 14, 18, 26-28, 29.1, 29.2, 31, 32, 63/1.11, 35
See application file for complete search history.

Primary Examiner — Jennifer Rivard
(74) *Attorney, Agent, or Firm* — Ladas & Parry, LLP

(57) **CLAIM**
The ornamental design for an earring, as shown and described.

(56) **References Cited**

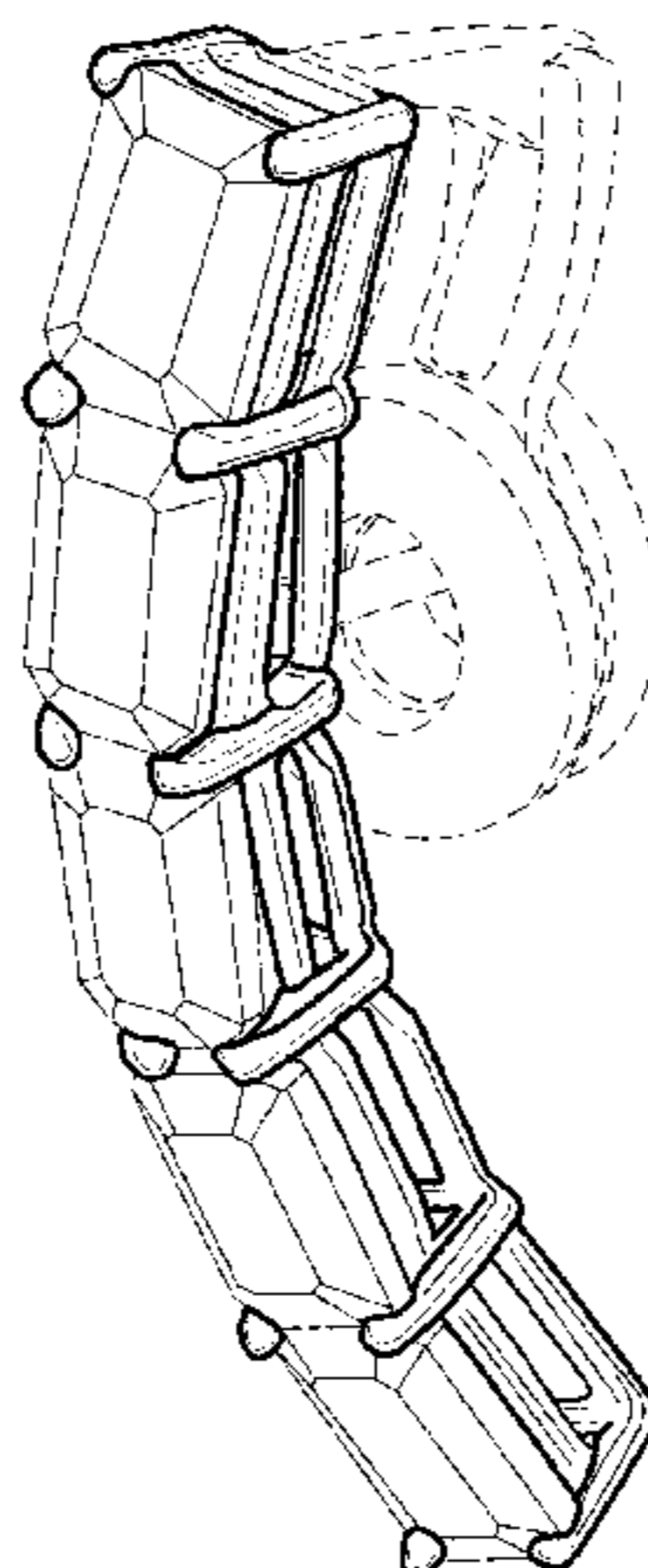
DESCRIPTION

U.S. PATENT DOCUMENTS

D132,457 S 5/1942 Nathan
D145,263 S * 7/1946 Philippe D11/40
D152,068 S 12/1948 Donchi
D156,312 S * 12/1949 Bogoff D11/40
D172,625 S * 7/1954 Katz D9/560
D257,026 S * 9/1980 Barr D11/75
D279,878 S * 7/1985 Moon D11/43
D335,471 S 5/1993 Coleman
D381,925 S * 8/1997 Bergannini D11/42
D386,439 S 11/1997 Itzkowitz
D394,824 S 6/1998 Itzkowitz
D406,246 S 3/1999 Bulgari
D417,636 S 12/1999 Ambar
D439,190 S * 3/2001 Itzkowitz D11/26

FIG. 1 is a front perspective view of a first embodiment of an earring showing my new design;
FIG. 2 is a front view thereof;
FIG. 3 is a rear view thereof;
FIG. 4 is a left side view thereof;
FIG. 5 is a right side view thereof;
FIG. 6 is a top perspective view thereof; and,
FIG. 7 is a bottom perspective view thereof.
The broken lines in the drawings represent portions of the Earring which form no part of the claimed design.
The design of the earring includes a second embodiment which is a mirror image of the first embodiment.

1 Claim, 4 Drawing Sheets



(56)

References Cited

U.S. PATENT DOCUMENTS

D674,315 S 1/2013 Dholakiya
 D679,215 S 4/2013 Roehl
 D682,139 S 5/2013 Kothari
 2011/0056242 A1 3/2011 Chan

OTHER PUBLICATIONS

Co-pending U.S. Appl. No. 29/467,066, filed Sep. 13, 2013, Vartanian.
 Co-pending U.S. Appl. No. 29/469,684, filed Oct. 12, 2013, Vartanian.
 Co-pending U.S. Appl. No. 29/472,467, filed Nov. 12, 2013, Vartanian.
 Co-pending U.S. Appl. No. 29/472,468, filed Nov. 12, 2013, Vartanian.
 Co-pending U.S. Appl. No. 29/482,689, filed Feb. 20, 2014, Vartanian.
 Co-pending U.S. Appl. No. 29/483,607, filed Feb. 28, 2014, Vartanian.
 Co-pending U.S. Appl. No. 29/483,609, filed Feb. 28, 2014, Vartanian.
 Co-pending U.S. Appl. No. 29/483,610, filed Feb. 28, 2014, Vartanian.
 Co-pending U.S. Appl. No. 29/483,611, filed Feb. 28, 2014, Vartanian.
 Co-pending U.S. Appl. No. 29/483,914, filed Mar. 4, 2014, Vartanian.
 Co-pending U.S. Appl. No. 29/484,340, filed Mar. 7, 2014, Vartanian.
 Co-pending U.S. Appl. No. 29/484,341, filed Mar. 7, 2014, Vartanian.
 Picture of table, taken on Jul. 16, 2014.
 [Online] <http://mdemulher.abril.com.br/blogs/modaspot-news/files/legado/2013/03/joias.jpg>. Retrieved Aug. 21, 2014.
 [Online] <http://media-cache-ak0.pinimg.com/236x/28/58/c6/2858c6829b4485a5e6022552327a81e5.jpg>. Retrieved Sep. 17, 2014.
 [Online] <http://media-cache.ak0.pinimg.com/236x/77/c6/94/77c694ba4375d2e3fbf93b28e187b9d3.jpg>. Retrieved Sep. 11, 2014.
 [Online] <http://media-cache.ak0.pinimg.com/736x/24/f6/e7/24f6e7fba27f0b3c111e32ec62d3e273.jpg>. Retrieved Sep. 17, 2014.

[Online] <http://media-cache.ec0.pinimg.com/236x/7e/91/ff/7e91ff2bb400a39579acf5d39c021196.jpg>. Retrieved Sep. 17, 2014.
 [Online] <http://media-cache-ec0.pinimg.com/736x/23/ff/eb/23ffeb119625af9a8b1104757e0a166e.jpg>. Retrieved Sep. 17, 2014.
 [Online] <http://media-cache-ec0.pinimg.com/736x/c7/84/f1/c784f163e3fcb9749c47f66cec011f52.jpg>. Retrieved Sep. 11, 2014.
 [Online] <http://onlinestore.jackvartanian.com/coliection/new-desire#!campanha/0>. Retrieved Jun. 26, 2014.
 [Online] <http://onlinestore.jackvartanian.com/collection/new-desire#!campanha/3>. Retrieved Jun. 26, 2014.
 [Online] <http://thefashion-court.com/wp-content/uploads/2014/06/jack-vartanian-universal-diamond-ear-climbers-earrings.png>. Retrieved Sep. 17, 2014.
 [Online] <http://thefashion-court.com/wp-content/uploads/2014/08/jack-vartanian-diamond-ear-climbers-black.png>. Retrieved Sep. 17, 2014.
 Office Action from Design U.S. Appl. No. 29/467,066 mailed on Sep. 17, 2014.
 Office Action from Design U.S. Appl. No. 29/469,684 mailed on Aug. 25, 2014.
 Office Action from Design U.S. Appl. No. 29/472,467 mailed on Jun. 27, 2014.
 Office Action from Design U.S. Appl. No. 29/472,468 mailed on Jun. 30, 2014.
 Office Action from Design U.S. Appl. No. 29/482,689 mailed on Oct. 1, 2014.
 Office Action from Design U.S. Appl. No. 29/483,607 mailed on Sep. 23, 2014.
 Office Action from Design U.S. Appl. No. 29/483,609 mailed on Sep. 17, 2014.
 Office Action from Design U.S. Appl. No. 29/483,610 mailed on Sep. 18, 2014.
 Office Action from Design U.S. Appl. No. 29/483,611 mailed on Sep. 22, 2014.
 Office Action from Design U.S. Appl. No. 29/483,914 mailed on Sep. 25, 2014.
 Office Action from Design U.S. Appl. No. 29/484,340 mailed on Sep. 23, 2014.
 Office Action from Design U.S. Appl. No. 29/484,341 mailed on Sep. 19, 2014.

* cited by examiner

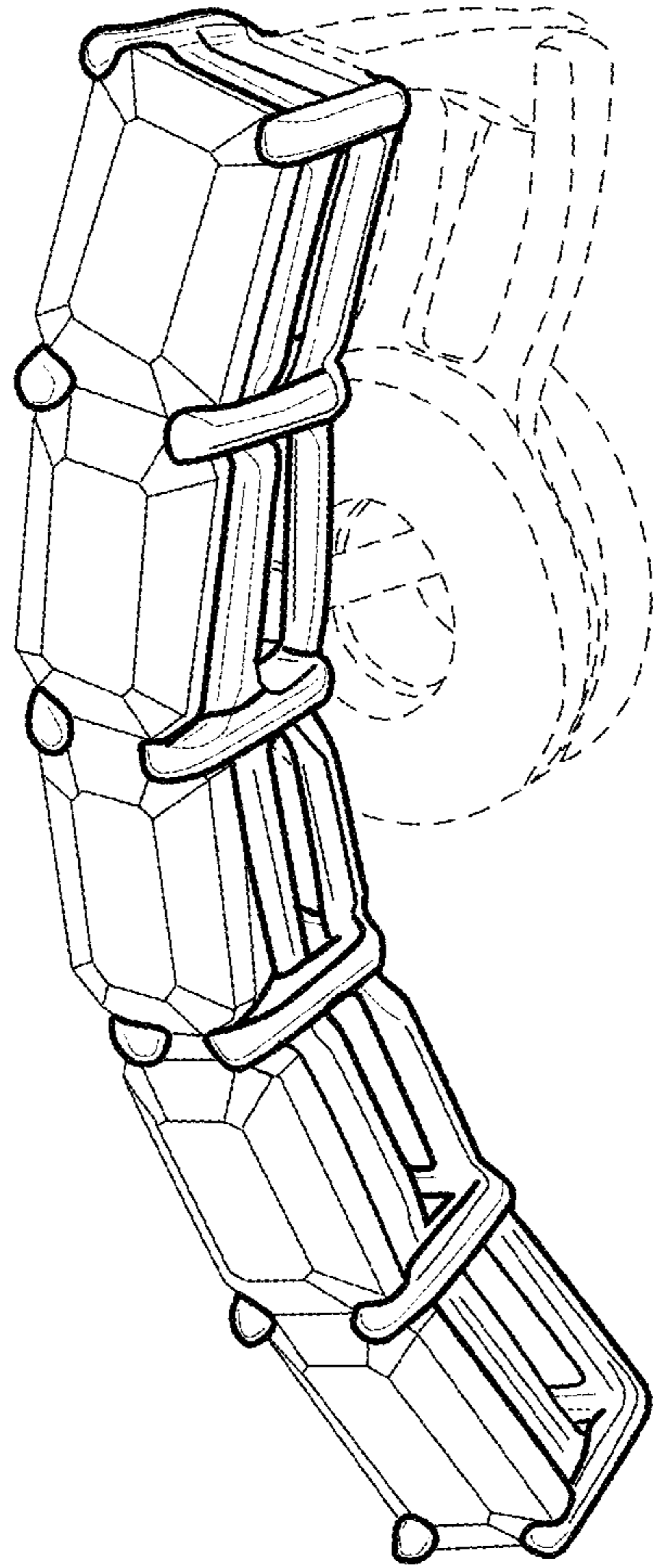


FIG. 1

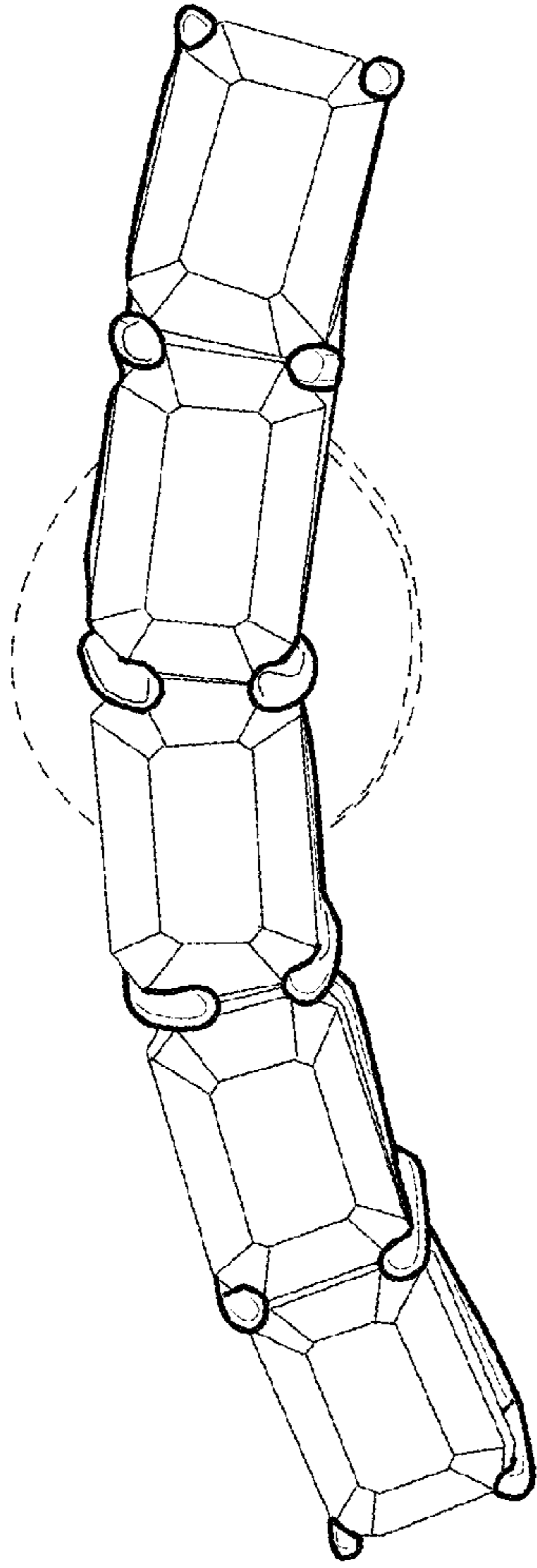


FIG. 2

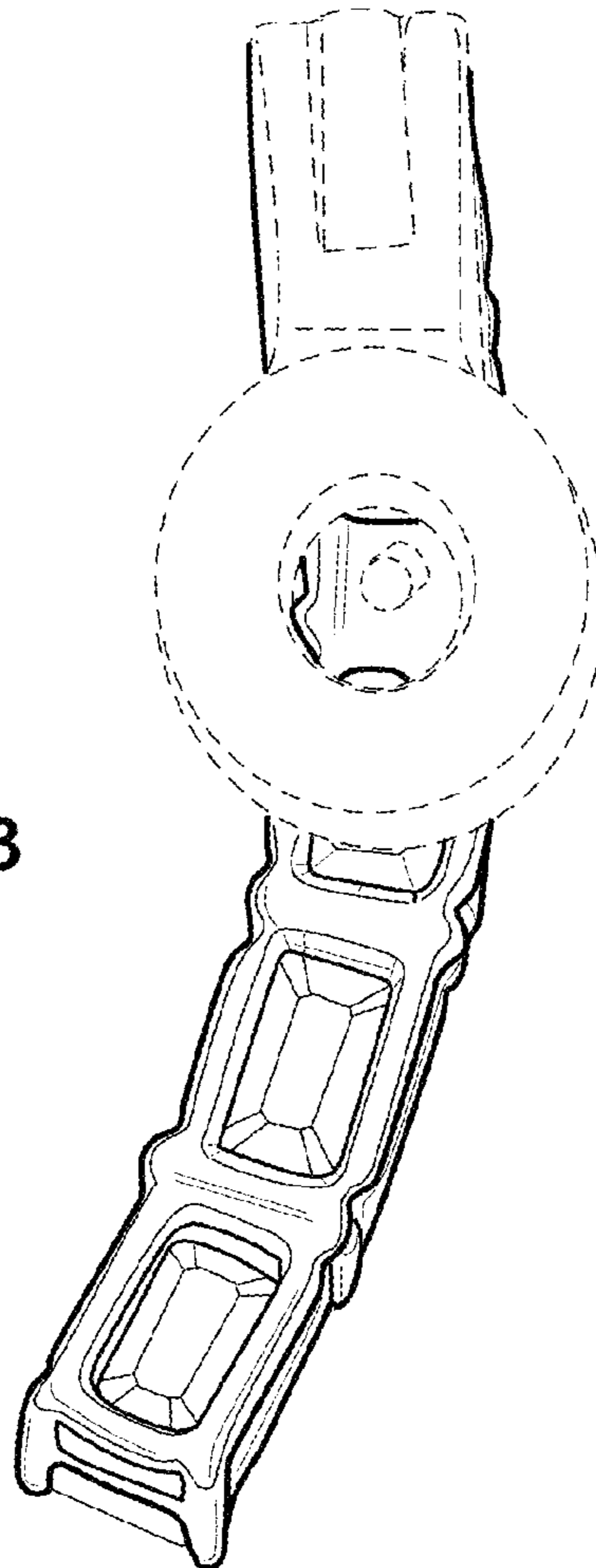


FIG. 3

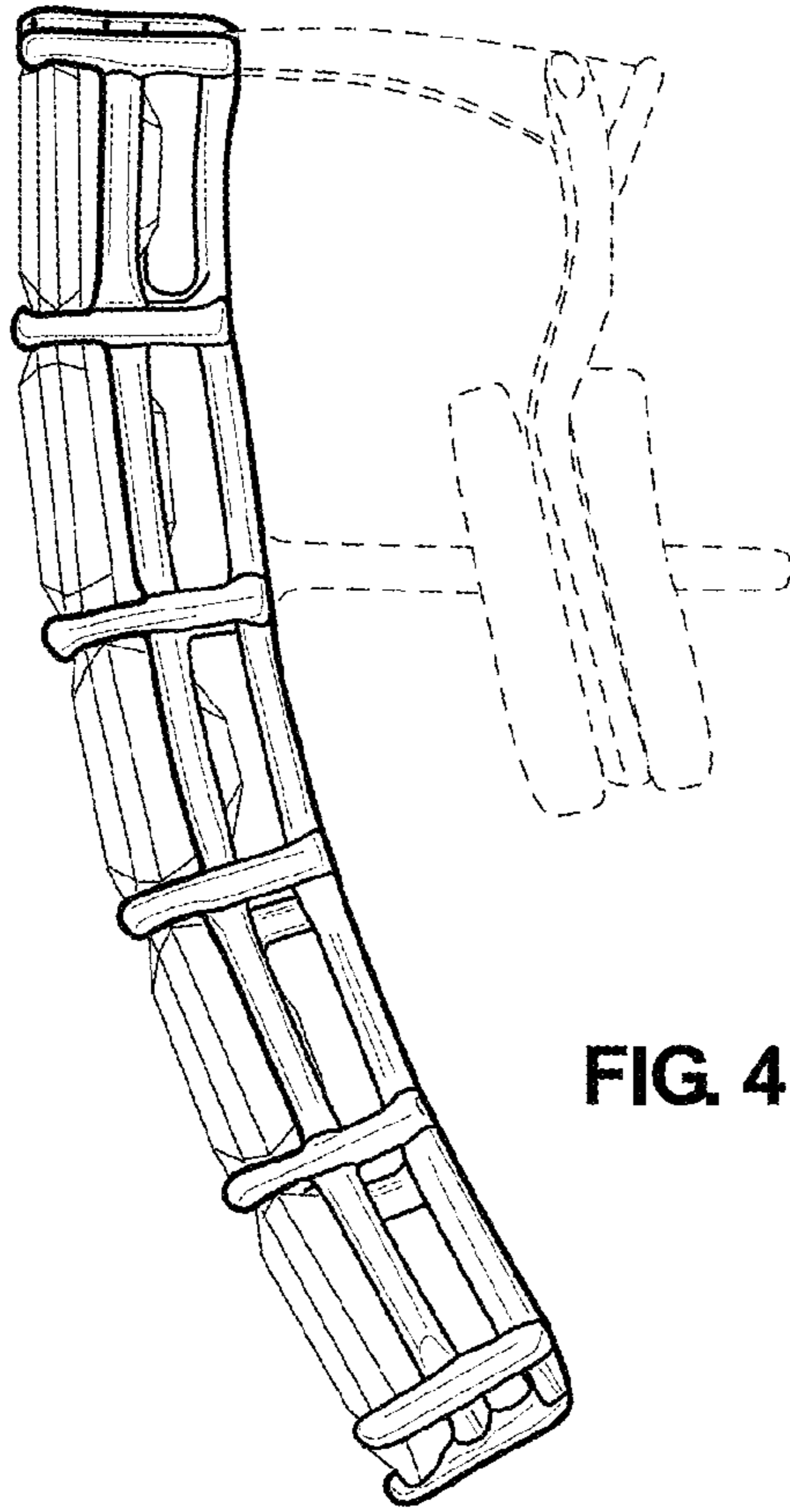


FIG. 4

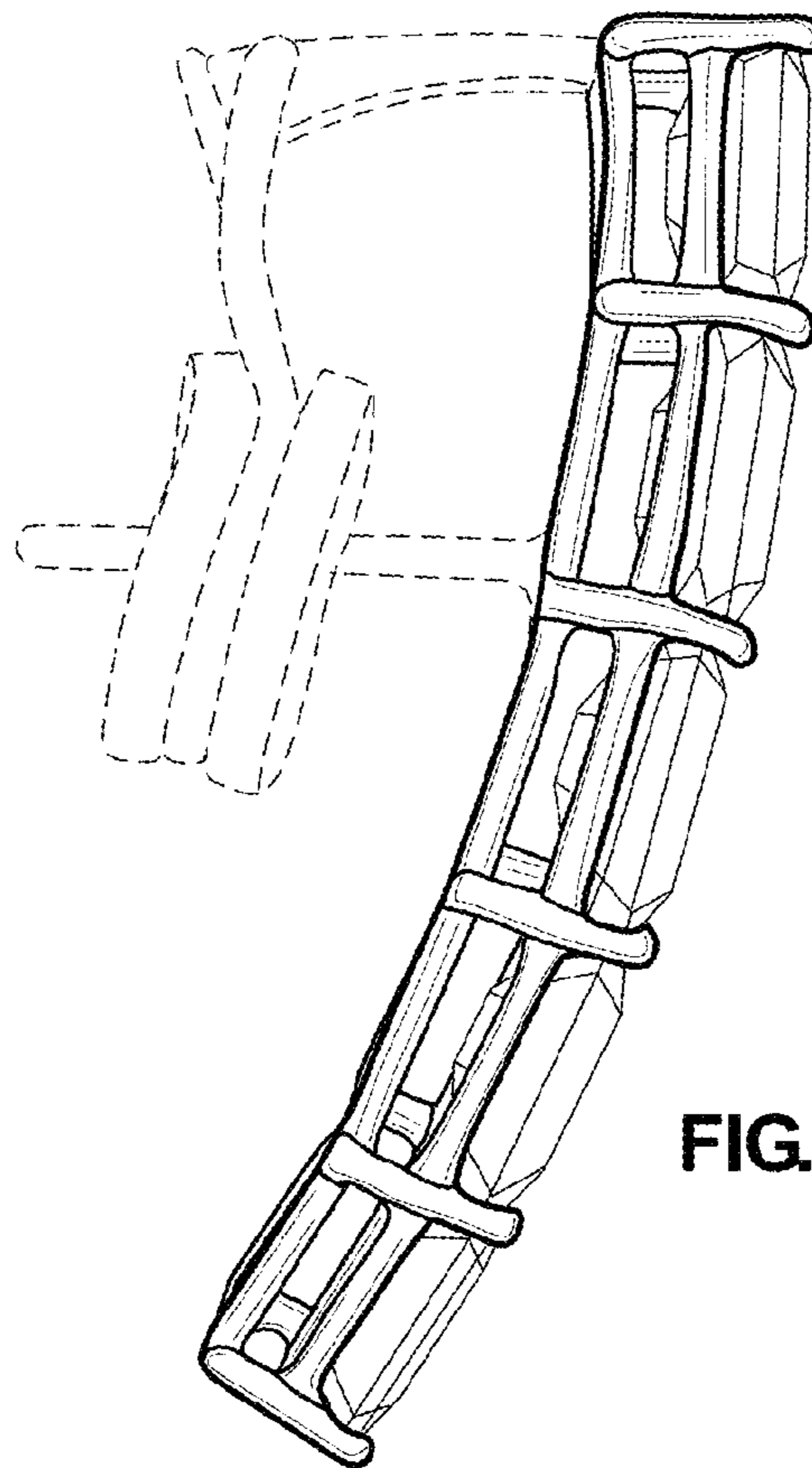


FIG. 5

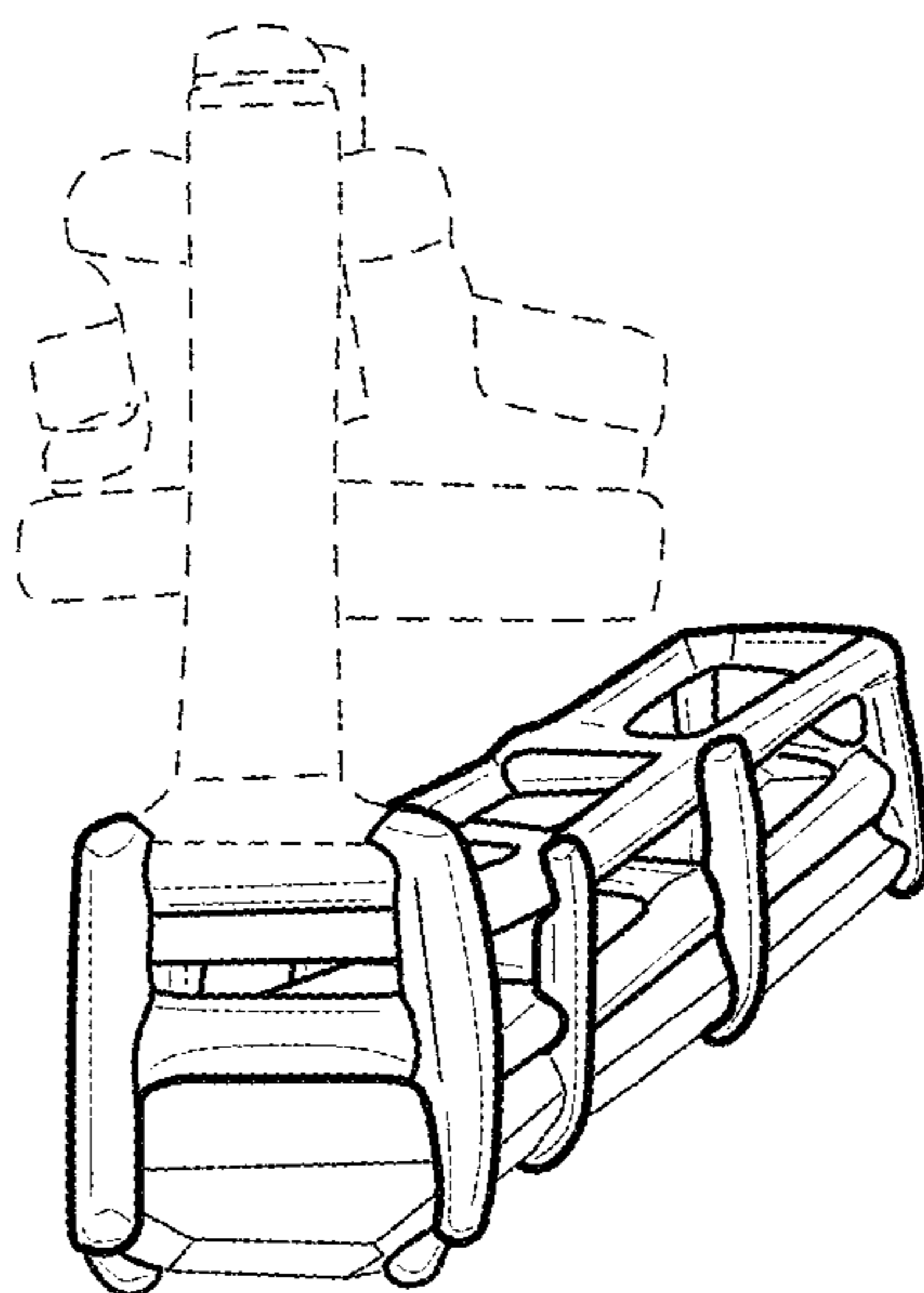


FIG. 6

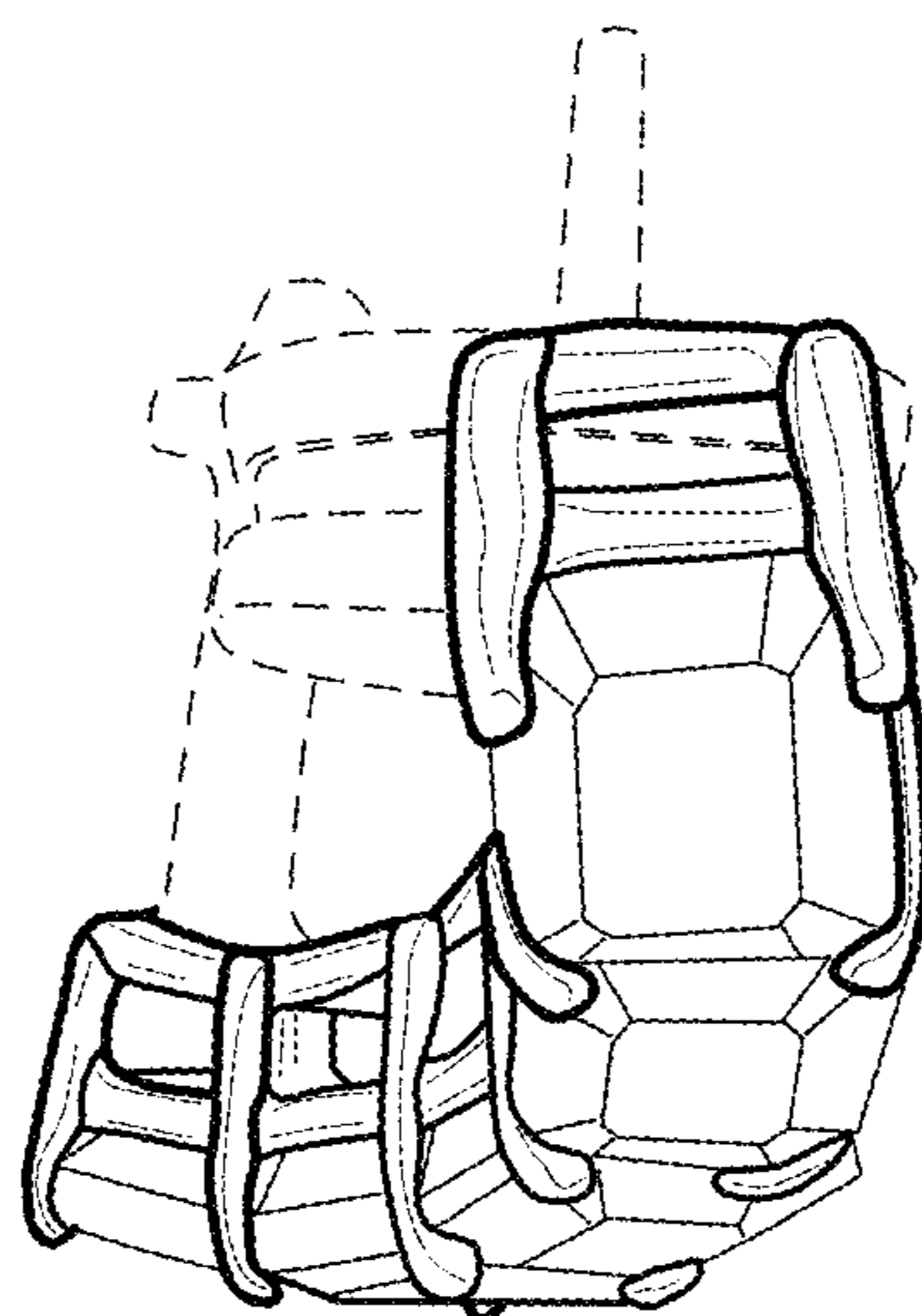


FIG. 7