



US00D747993S

(12) **United States Design Patent**  
**Strom**

(10) **Patent No.:** **US D747,993 S**  
(45) **Date of Patent:** **\*\* Jan. 26, 2016**

(54) **DOOR BELL BUTTON MOUNTED IN GOLF BALL**

D700,256 S \* 2/2014 Besemer ..... D21/707  
D736,870 S \* 8/2015 Nagi ..... D21/707  
2007/0102273 A1\* 5/2007 Birdwell ..... H01H 13/52  
200/310

(71) Applicant: **Robert S. Strom**, Cary, IL (US)

\* cited by examiner

(72) Inventor: **Robert S. Strom**, Cary, IL (US)

*Primary Examiner* — George D Kirschbaum

(\*\*) Term: **14 Years**

(74) *Attorney, Agent, or Firm* — Mathew R. P. Perrone, Jr.

(21) Appl. No.: **29/486,894**

(57) **CLAIM**

The ornamental design for a door bell button mounted in golf ball, as shown and described.

(22) Filed: **Apr. 10, 2014**

**DESCRIPTION**

(51) **LOC (10) Cl.** ..... **10-05**

FIG. 1 is a front perspective view of a door bell button mounted in golf ball of my invention in use;

(52) **U.S. Cl.**

FIG. 2 is a top plan view of a door bell button mounted in golf ball of my invention based on FIG. 1;

USPC ..... **D10/118.2**

FIG. 3 is a bottom plan view of a door bell button mounted in golf ball of my invention based on FIG. 2;

(58) **Field of Classification Search**

USPC ..... D10/118.1, 118.2; D14/159; D13/158

FIG. 4 is a side view of a door bell button mounted in golf ball of my invention based on FIG. 1;

CPC ..... H04M 11/02; H04M 11/025; H40N 7/186

FIG. 5 reverse view of FIG. 4;

See application file for complete search history.

FIG. 6 is a front plan view of a door bell button mounted in golf ball of my invention based on FIG. 1; and,

(56) **References Cited**

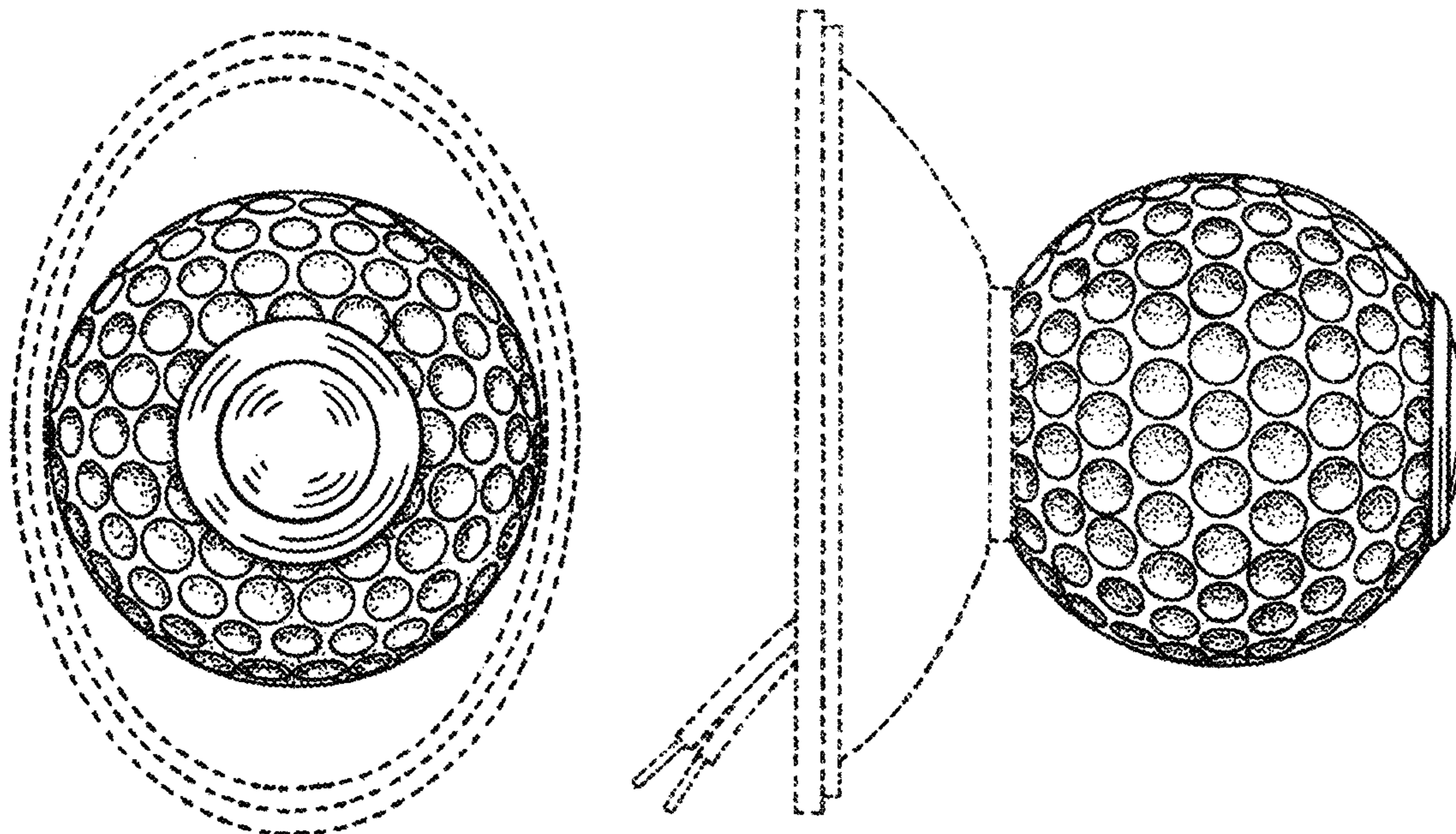
**U.S. PATENT DOCUMENTS**

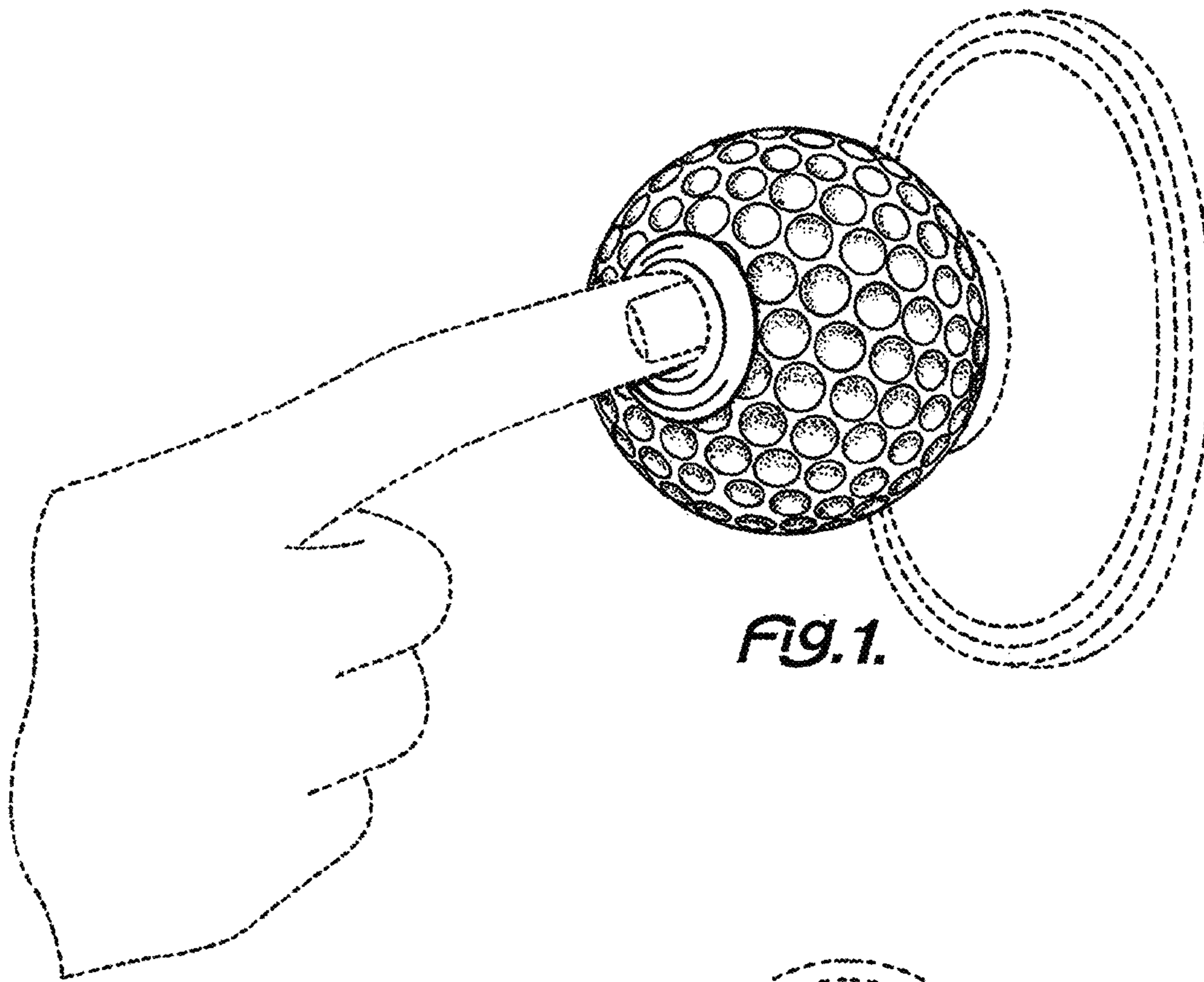
D471,223 S \* 3/2003 Whitney ..... D16/225  
D549,106 S \* 8/2007 Lepoitevin ..... D9/519  
D654,539 S \* 2/2012 Hobbs ..... D19/95

FIG. 7 is a rear plan view of a door bell button mounted in golf ball of my invention based on FIG. 6.

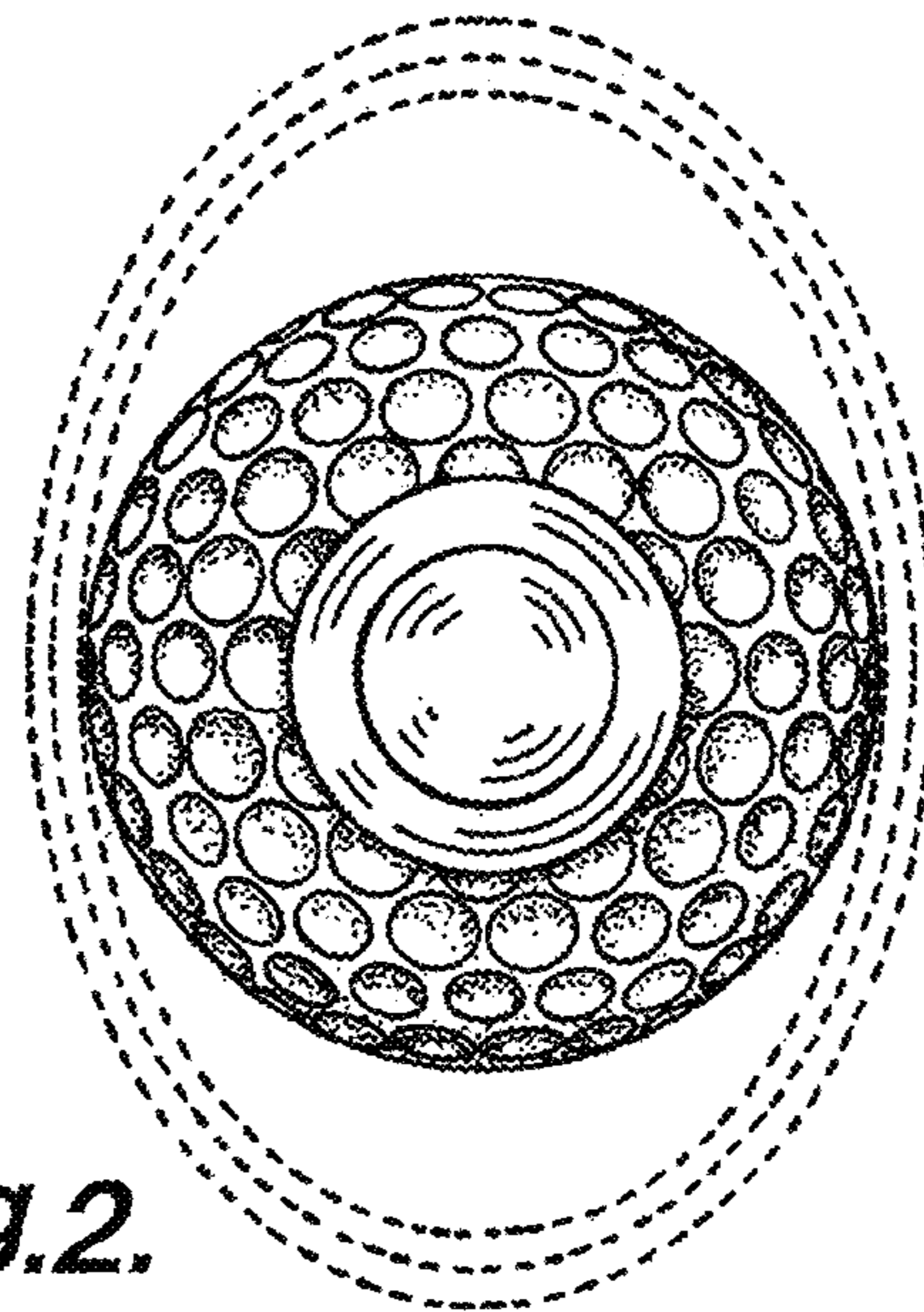
The broken line showing of a hand and mounting plate is included for the purpose of illustrating portions of the "article" and forms no part of the claimed design.

**1 Claim, 3 Drawing Sheets**



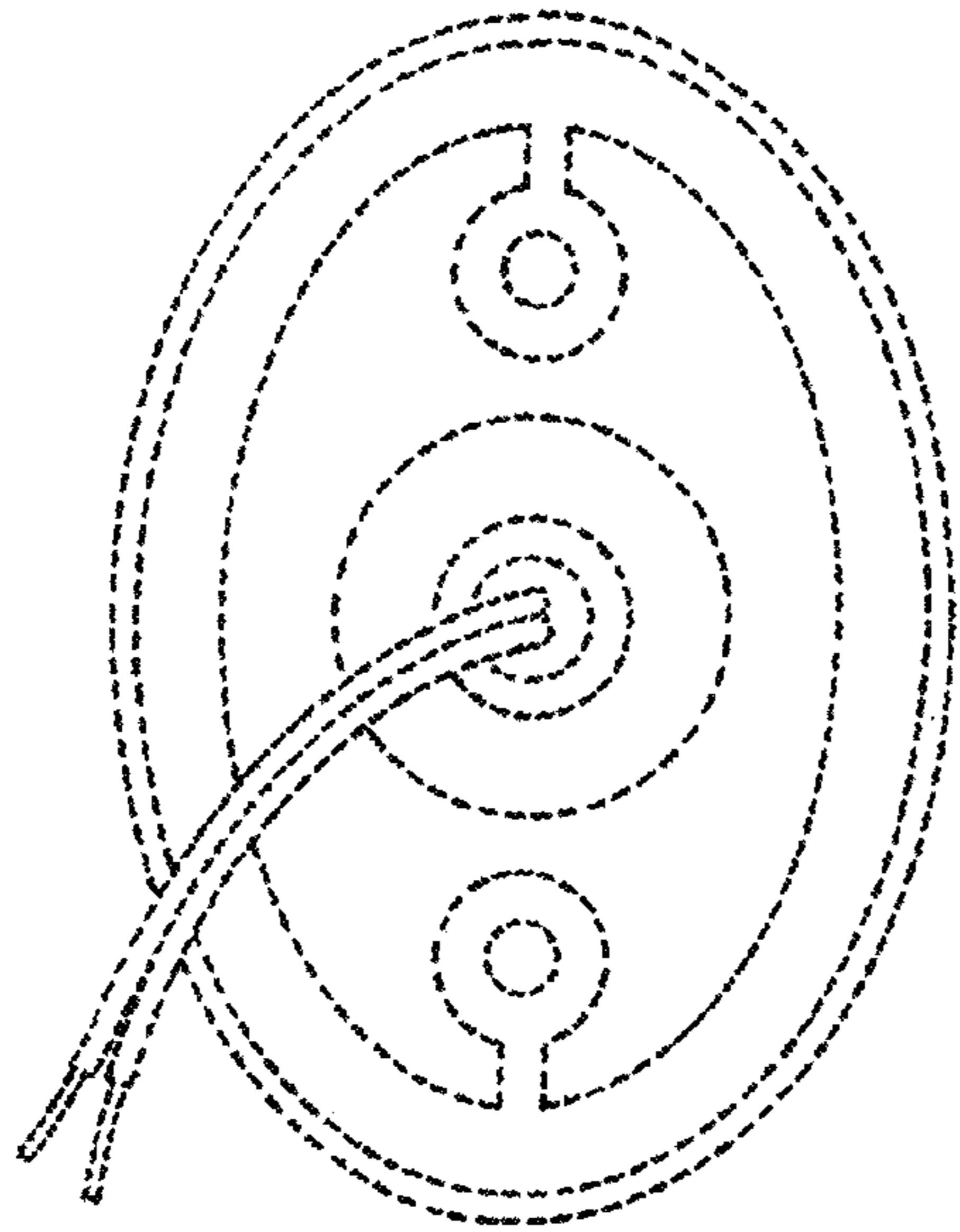


*FIG. 1.*

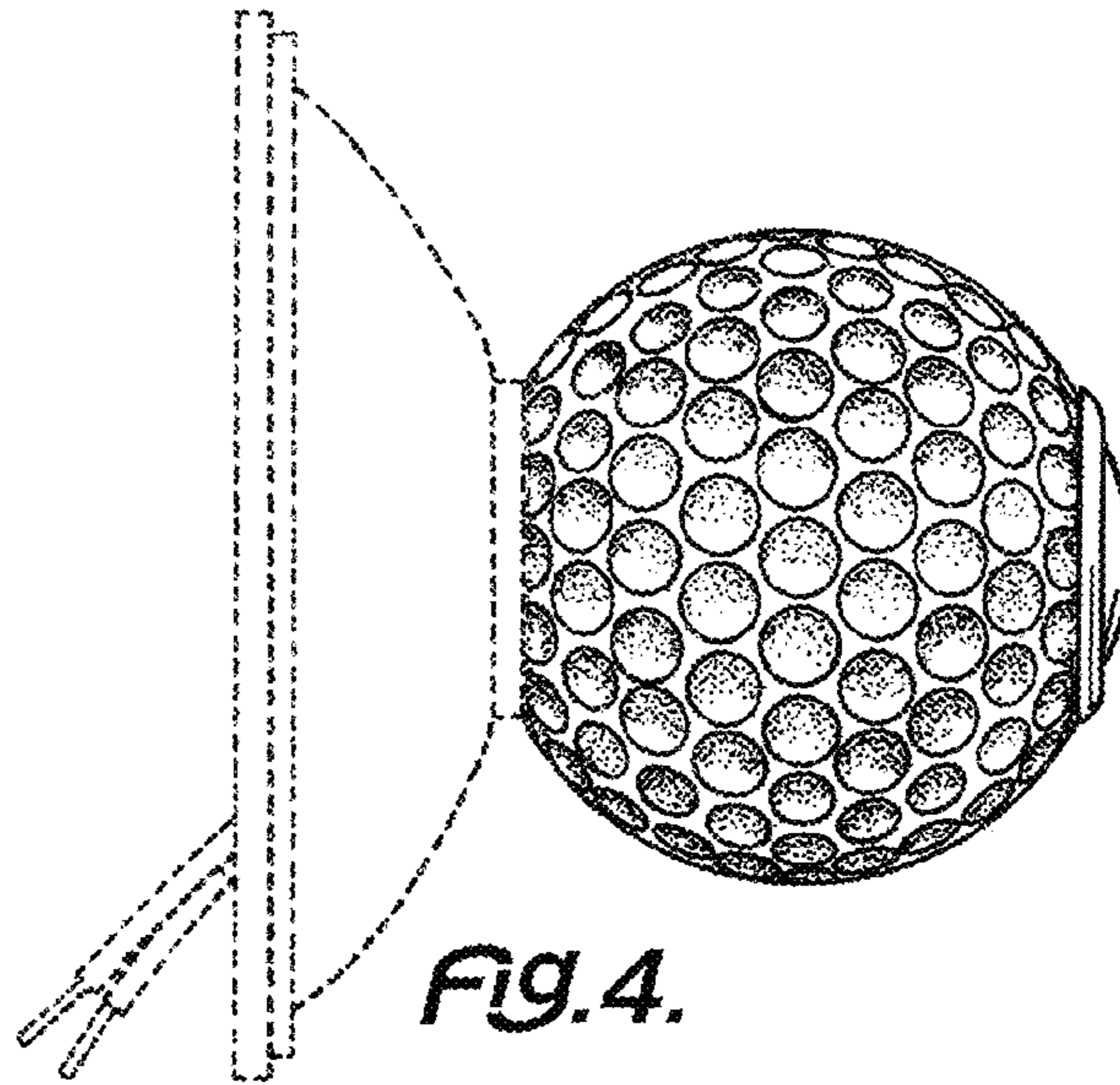


*FIG. 2.*

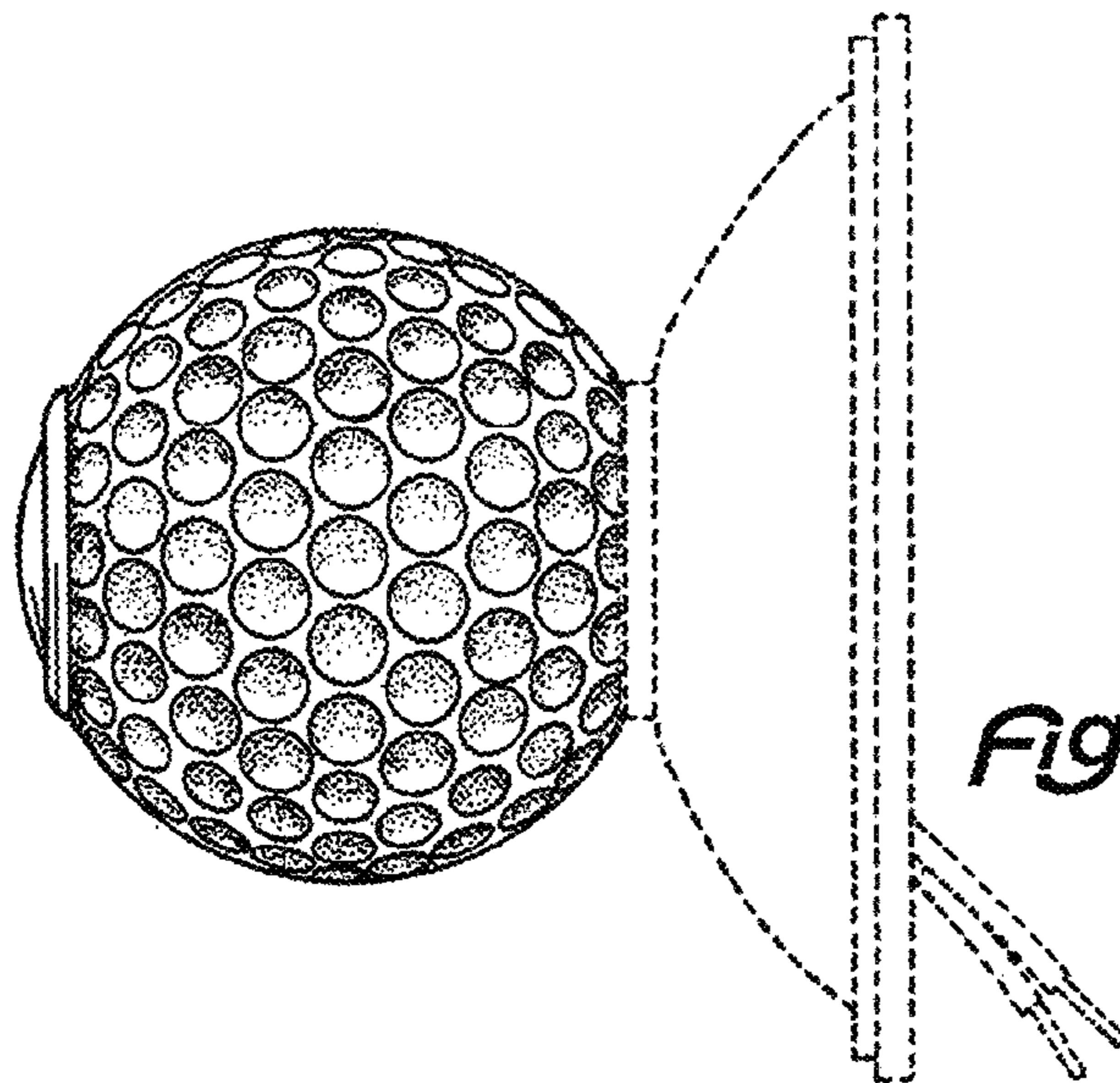




*FIG. 3.*



*FIG. 4.*



*FIG. 5.*

