



US00D747988S

(12) **United States Design Patent**
Matsumiya et al.

(10) **Patent No.:** **US D747,988 S**
(45) **Date of Patent:** **** Jan. 26, 2016**

(54) **DIGITAL DIAL GAUGE**
(71) Applicant: **MITUTOYO CORPORATION**,
Kawasaki, Kanagawa (JP)
(72) Inventors: **Sadayuki Matsumiya**, Kawasaki (JP);
Shigeru Ohtani, Kawasaki (JP); **Kenji**
Iwamoto, Kawasaki (JP); **Aki**
Hiroshima, Kawasaki (JP); **Atsuya**
Niwano, Kawasaki (JP)
(73) Assignee: **MITUTOYO CORPORATION**,
Kawasaki (JP)
(**) Term: **14 Years**
(21) Appl. No.: **29/501,321**
(22) Filed: **Sep. 3, 2014**
(30) **Foreign Application Priority Data**

Mar. 10, 2014 (JP) 2014-005028
(51) **LOC (10) Cl.** **10-04**
(52) **U.S. Cl.**
USPC **D10/85; D10/103; D10/102**
(58) **Field of Classification Search**
USPC D10/83-85, 94, 102, 103
CPC G01D 11/24; G01D 11/245; G01D 11/26
See application file for complete search history.

(56) **References Cited**
U.S. PATENT DOCUMENTS
4,740,861 A * 4/1988 Droho et al. 361/105
5,979,069 A * 11/1999 Hayashida et al. 33/556
D483,276 S * 12/2003 Schabbach D10/46

D588,030 S * 3/2009 Ohtani et al. D10/85
D592,085 S * 5/2009 Ohtani et al. D10/102
D592,086 S * 5/2009 Ohtani et al. D10/102
D592,087 S * 5/2009 Ohtani et al. D10/102
7,654,848 B1 * 2/2010 Jones 439/345
D653,572 S * 2/2012 Ohtani et al. D10/102
2005/0028111 A1 * 2/2005 Schrag et al. 715/851
2012/0027229 A1 * 2/2012 Bruvey et al. 381/119
2015/0170617 A1 * 6/2015 Noguchi 715/851
2015/0186986 A1 * 7/2015 Voegel et al. 715/851

FOREIGN PATENT DOCUMENTS

JP 1347153 S 12/2008

* cited by examiner

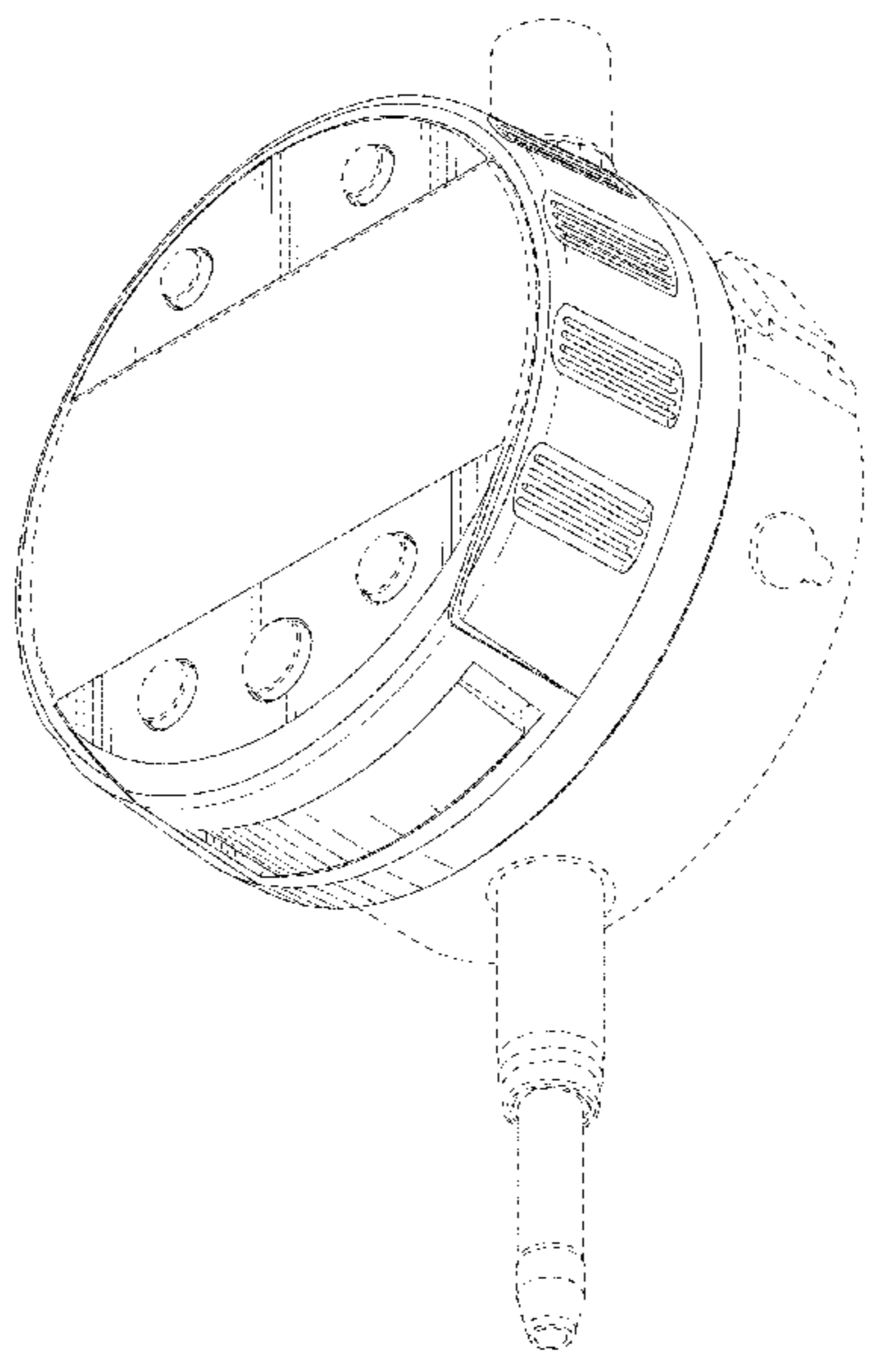
Primary Examiner — Antoine D Davis
(74) *Attorney, Agent, or Firm* — Oliff PLC

(57) **CLAIM**
The ornamental design for a digital dial gauge, as shown and described.

DESCRIPTION

FIG. 1 is a front, right-side, bottom perspective view of the digital dial gauge;
FIG. 2 is a front elevational view thereof;
FIG. 3 is a top plan view thereof;
FIG. 4 is a right-side elevational view thereof;
FIG. 5 is a left-side elevational view thereof;
FIG. 6 is a rear elevational view thereof; and,
FIG. 7 is a bottom plan view thereof.
The broken lines depict boundaries of the claimed subject matter or are directed to environment and are for illustrative purposes only. The broken lines form no part of the claimed design.

1 Claim, 7 Drawing Sheets



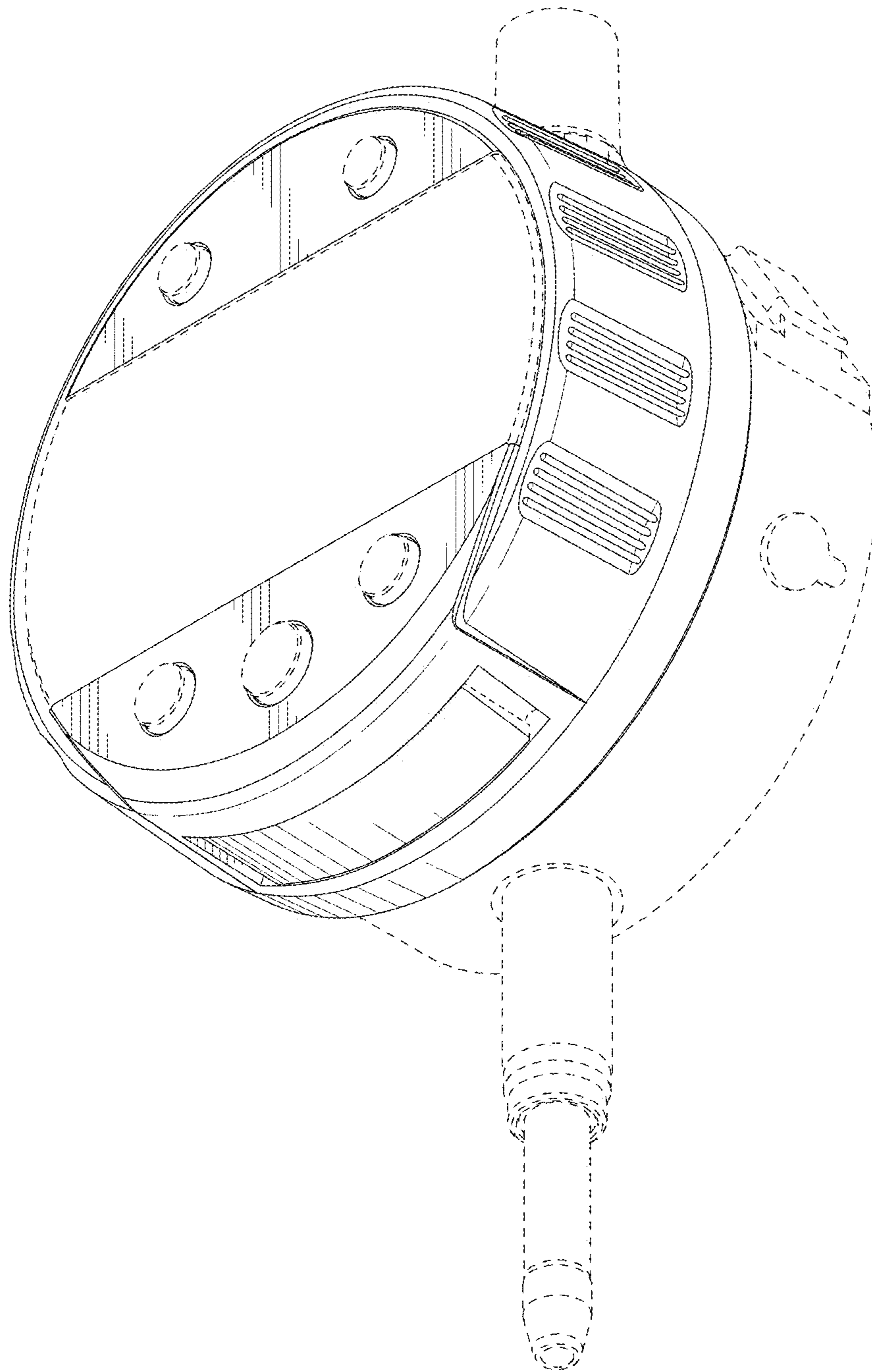


FIG. 1

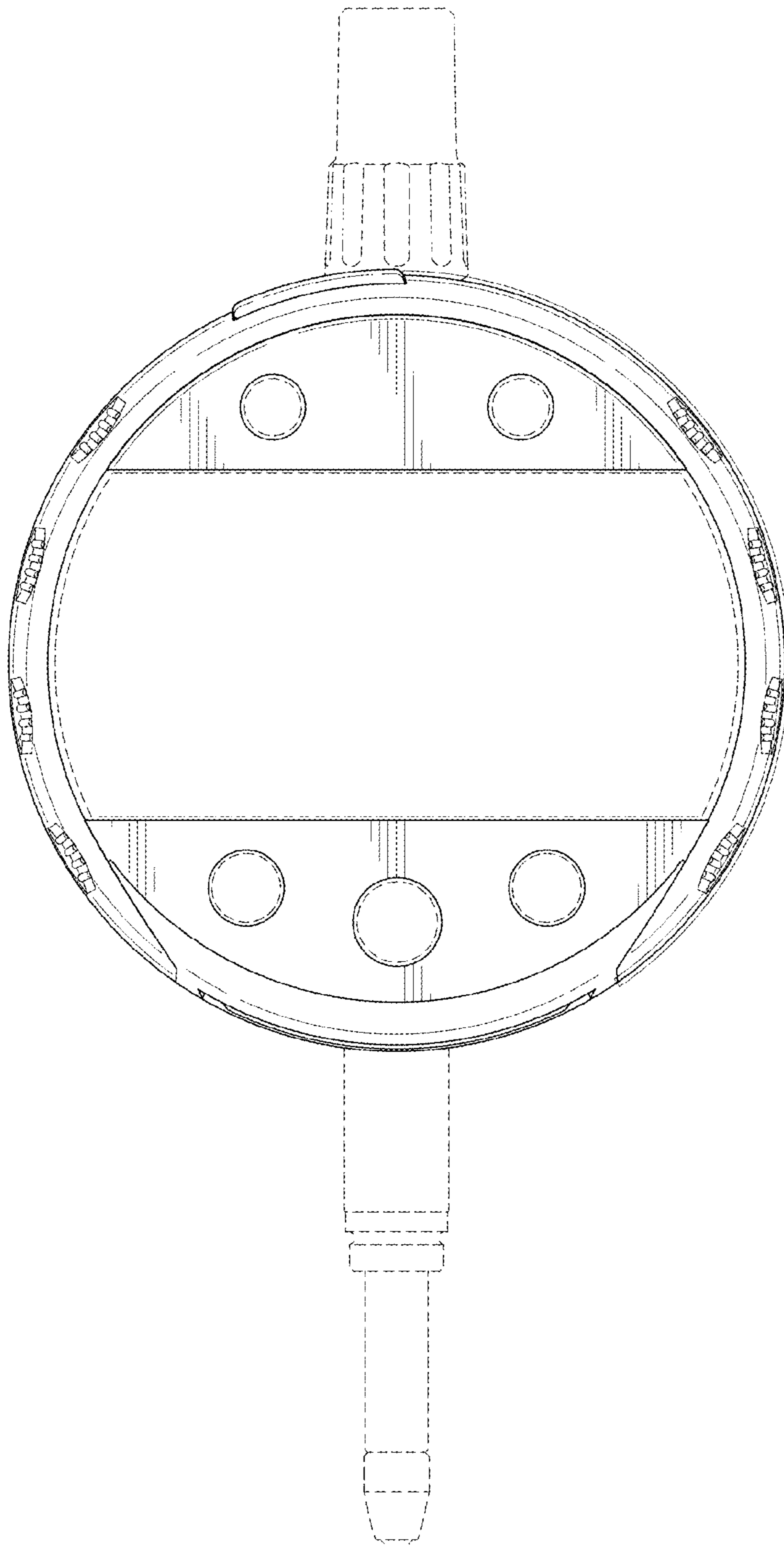


FIG. 2

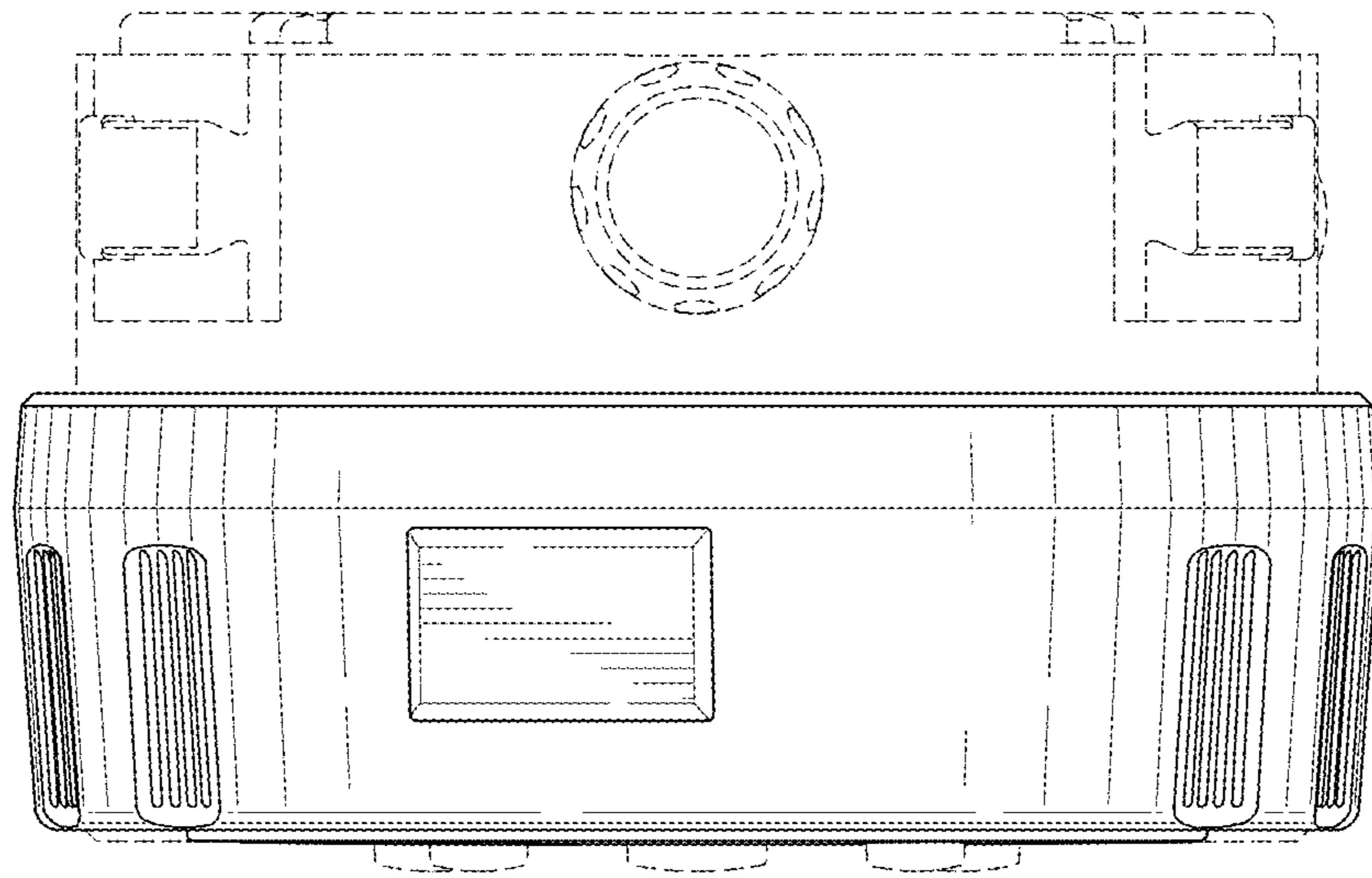


FIG. 3

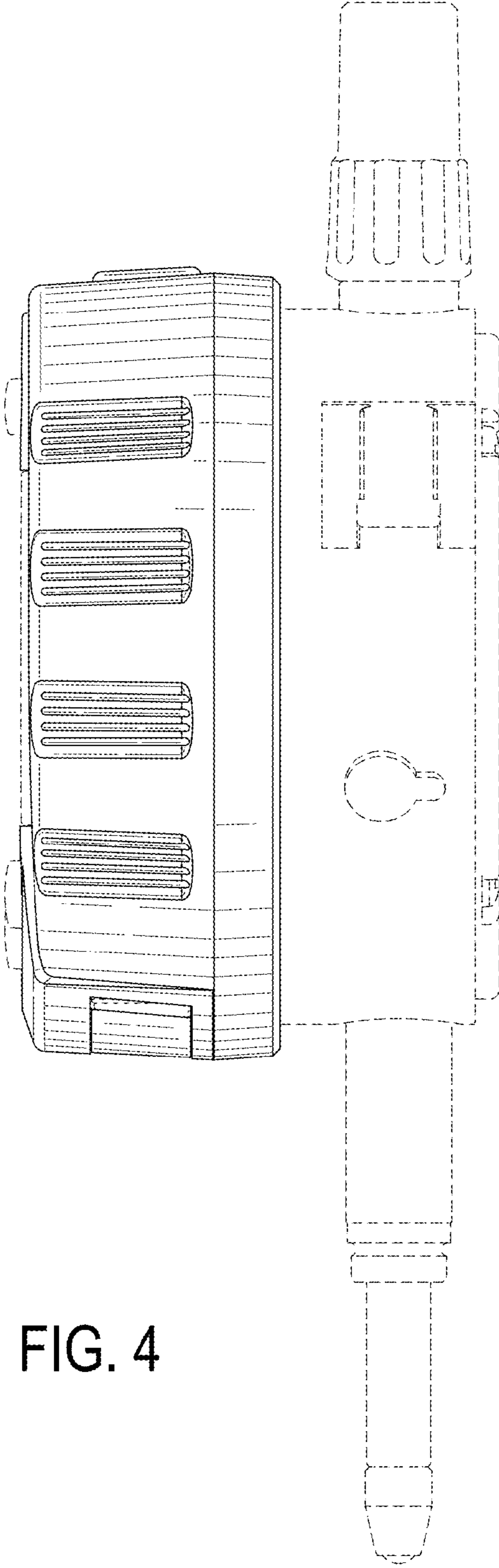


FIG. 4

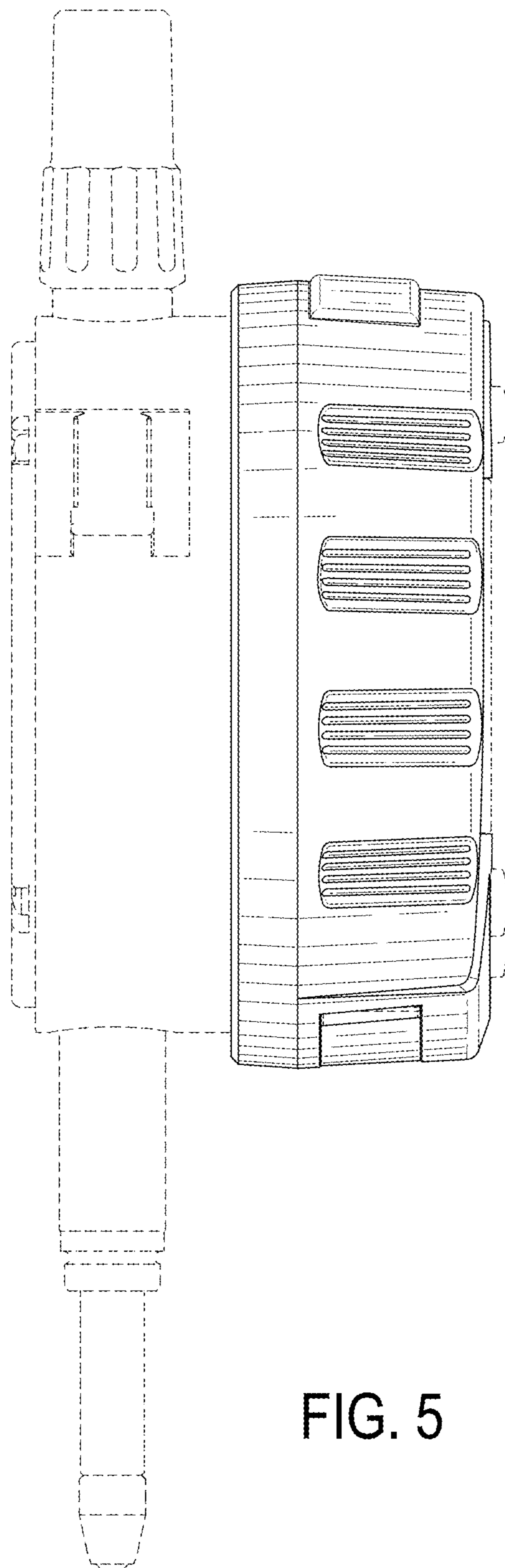


FIG. 5

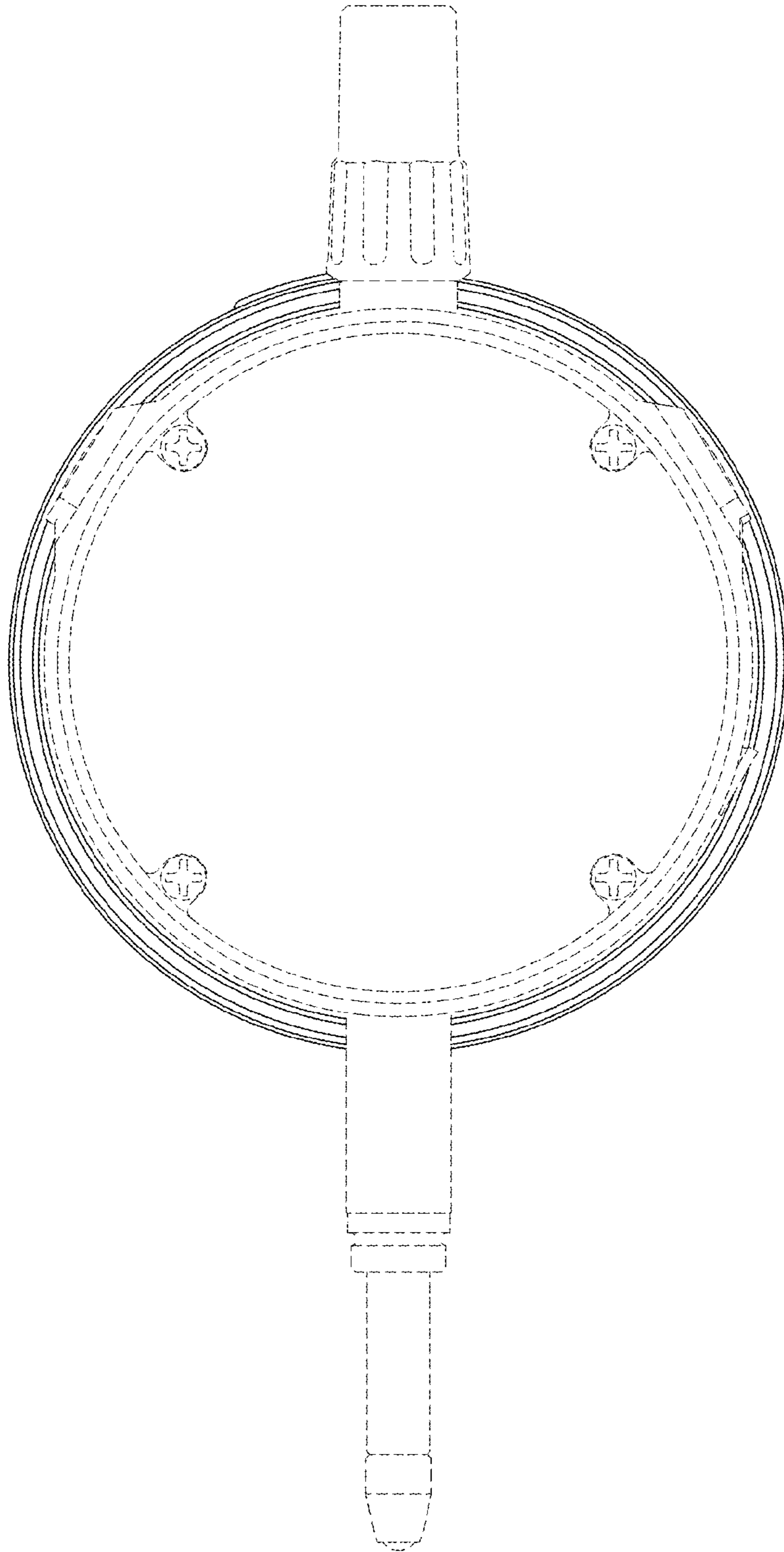


FIG. 6

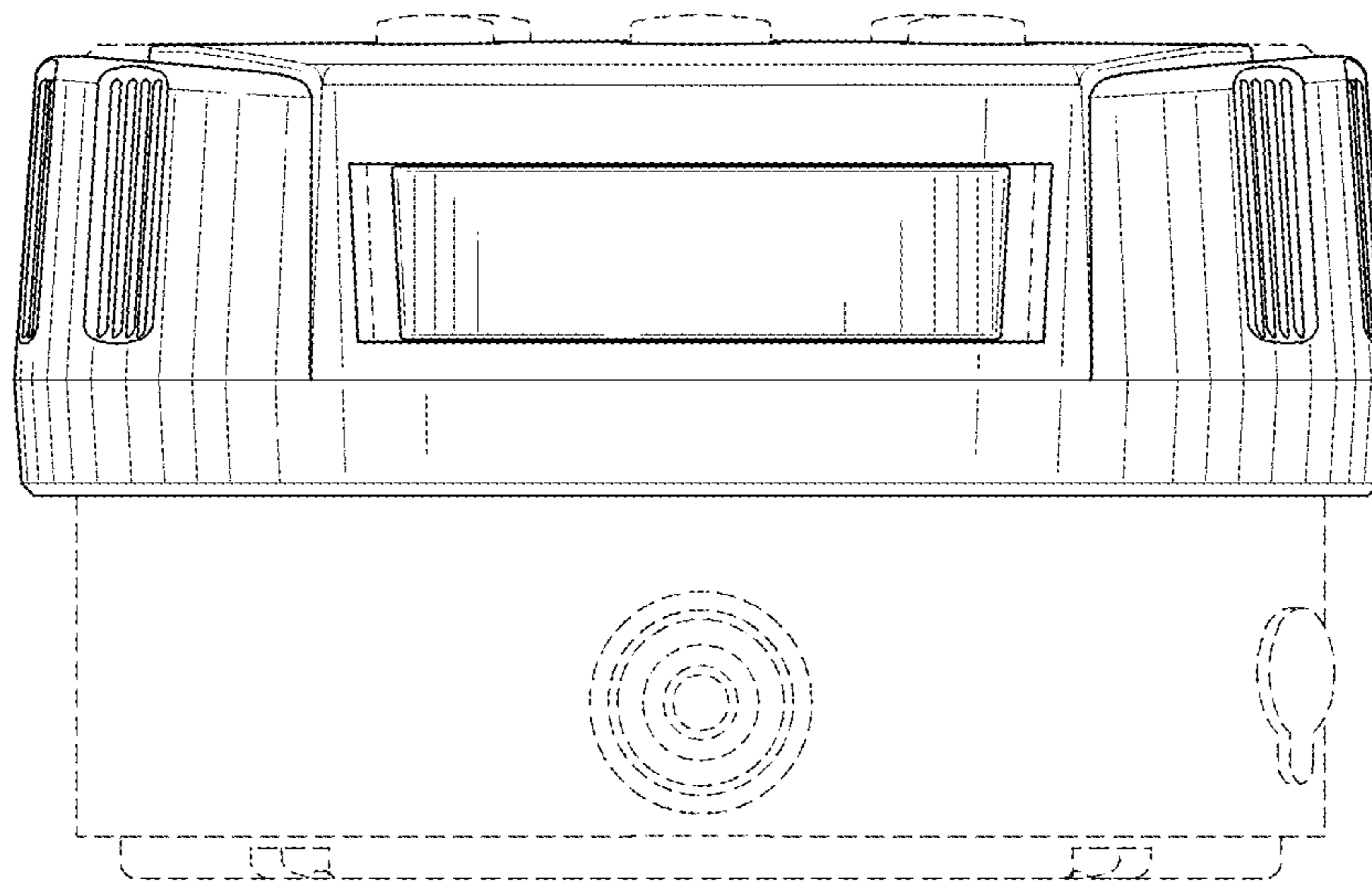


FIG. 7