



US00D747985S

(12) **United States Design Patent**  
**DeRosa et al.**

(10) **Patent No.:** **US D747,985 S**  
(45) **Date of Patent:** **\*\* Jan. 26, 2016**

- (54) **AIRCRAFT ICE DETECTOR**
- (71) Applicant: **Gulfstream Aerospace Corporation,**  
Savannah, GA (US)
- (72) Inventors: **Brian DeRosa,** Savannah, GA (US);  
**Brian Lojko,** Savannah, GA (US);  
**James Grieco,** Savannah, GA (US);  
**Guilherme Oliveira,** Savannah, GA  
(US)
- (73) Assignee: **Gulfstream Aerospace Corporation,**  
Savannah, GA (US)
- (\*\*) Term: **14 Years**
- (21) Appl. No.: **29/497,244**
- (22) Filed: **Jul. 22, 2014**
- (51) **LOC (10) Cl.** ..... **10-04**
- (52) **U.S. Cl.**  
USPC ..... **D10/53; D10/56; D10/83; D10/96;**  
**D10/98**
- (58) **Field of Classification Search**  
USPC ..... **D10/52, 53, 56, 83, 86, 96, 98**  
CPC ..... **B64D 43/02; B64D 15/14; B64D 15/20;**  
**B64D 15/12; G01N 25/04; G01F 1/46;**  
**G01M 9/06; G01K 13/02; G01K 13/028;**  
**G01P 13/025; G01P 5/165; G01P 5/14**  
See application file for complete search history.

(56) **References Cited**

**U.S. PATENT DOCUMENTS**

- 4,275,603 A \* 6/1981 Kalocsay ..... 73/861.68
- 4,718,273 A \* 1/1988 McCormack ..... 73/180

- 5,003,295 A 3/1991 Kleven
- 5,127,265 A \* 7/1992 Williamson et al. .... 73/182
- D545,227 S \* 6/2007 Benning et al. .... D10/96
- D566,595 S \* 4/2008 Benning et al. .... D10/96
- D587,610 S \* 3/2009 Benning et al. .... D10/96
- 2004/0261518 A1 \* 12/2004 Seidel et al. .... 73/182
- 2005/0230553 A1 10/2005 Otto et al.
- 2014/0050247 A1 \* 2/2014 Herman et al. .... 374/138

\* cited by examiner

*Primary Examiner* — Antoine D Davis

(74) *Attorney, Agent, or Firm* — Ingrassia, Fisher & Lorenz  
PC

(57) **CLAIM**

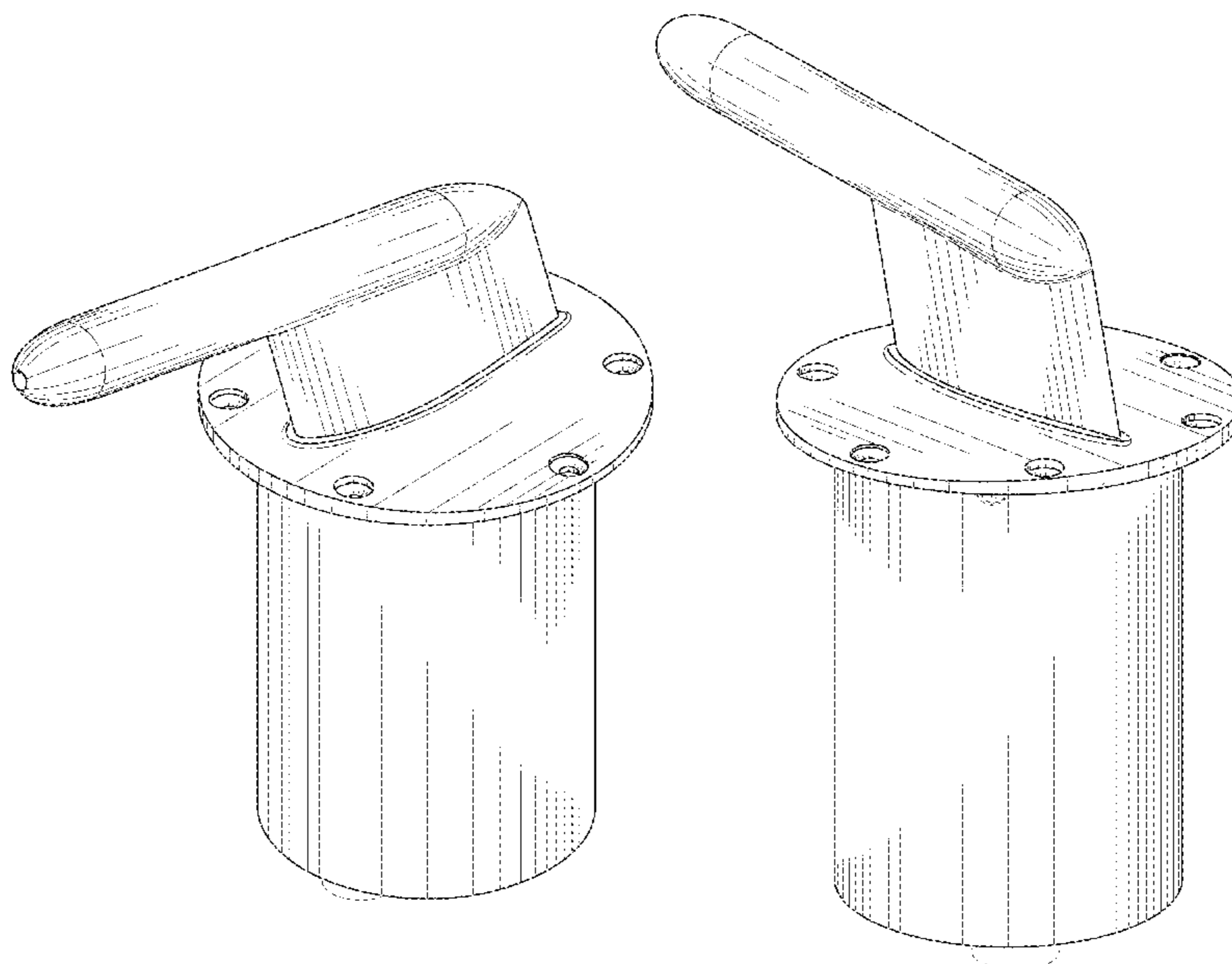
The ornamental design for a aircraft ice detector, as shown  
and described.

**DESCRIPTION**

FIG. 1 is a front perspective view of the aircraft ice detector in accordance with the an embodiment of the present invention; FIG. 2 is a rear perspective view of the aircraft ice detector in accordance with the an embodiment of the present invention; FIG. 3 is a side elevation of the aircraft ice detector shown in FIG. 1; FIG. 4 is a front elevation of the aircraft ice detector shown in FIG. 1; FIG. 5 is a rear elevation of the aircraft ice detector shown in FIG. 1; FIG. 6 is a top plan view of the aircraft ice detector shown in FIG. 1; and, FIG. 7 is a bottom plan view of the aircraft ice detector shown in FIG. 1.

The broken line showing of structural features is included for the purpose of illustrating non-claimed subject matter and forms no part of the claimed design.

**1 Claim, 6 Drawing Sheets**



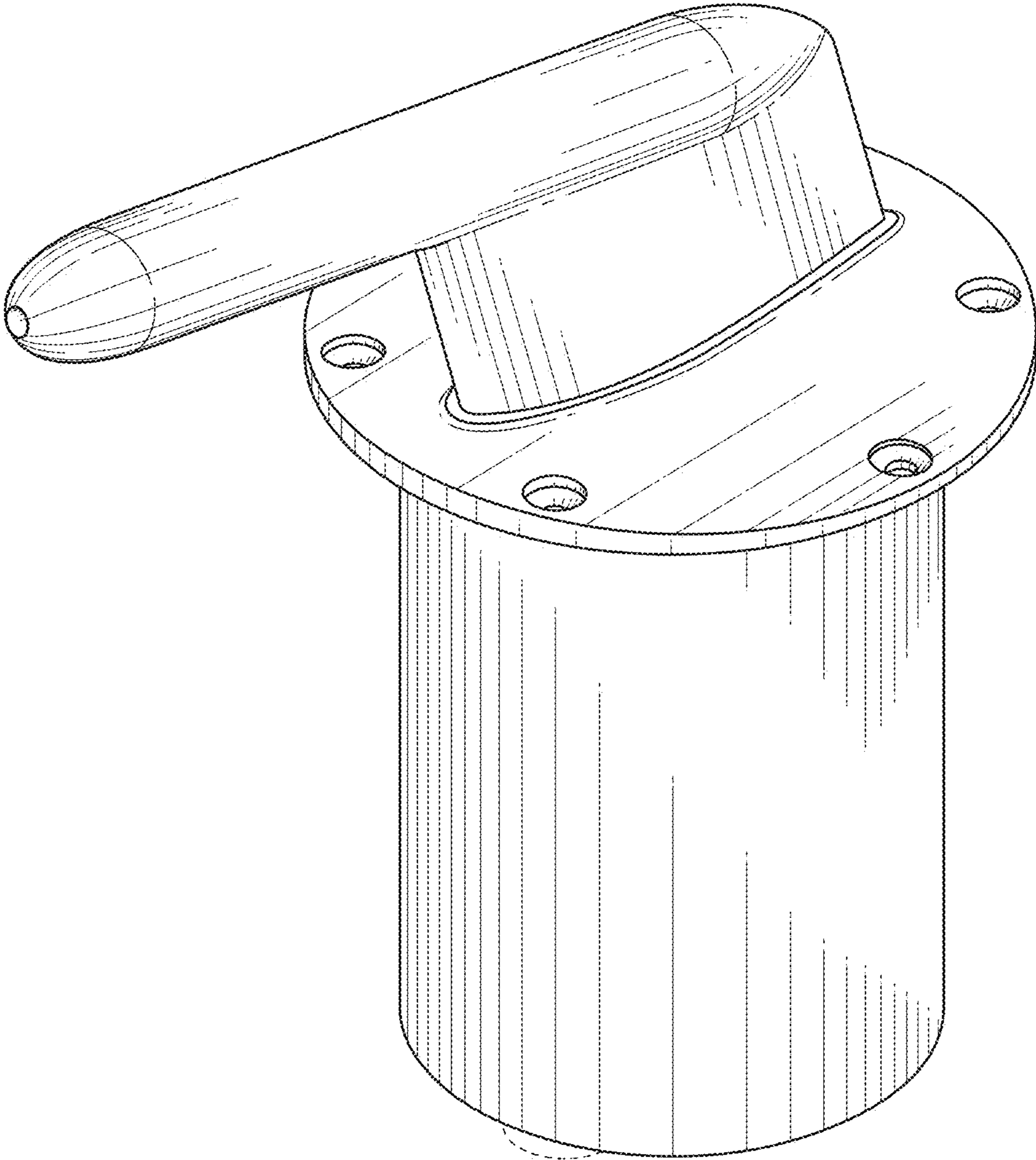


FIG. 1

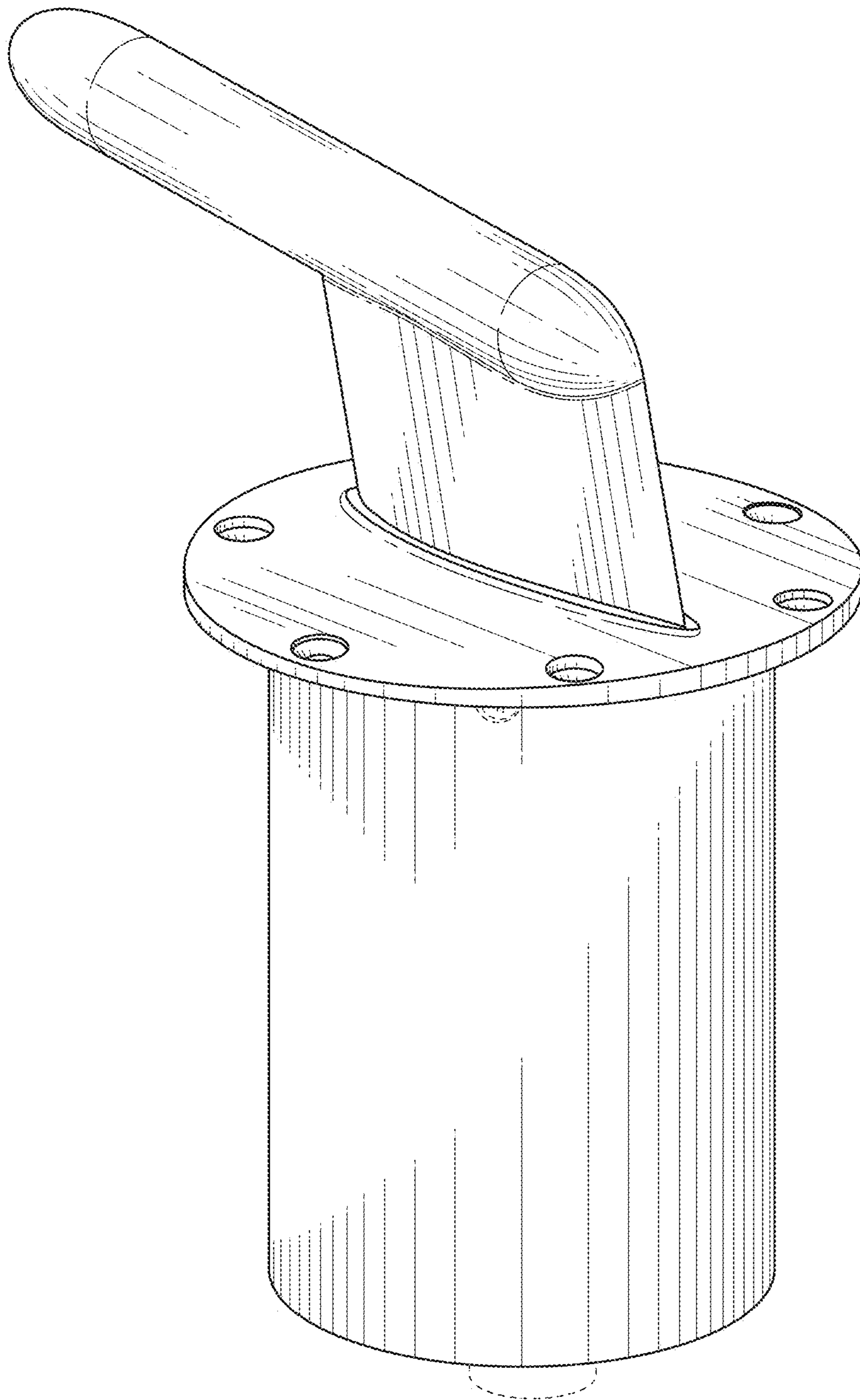


FIG. 2

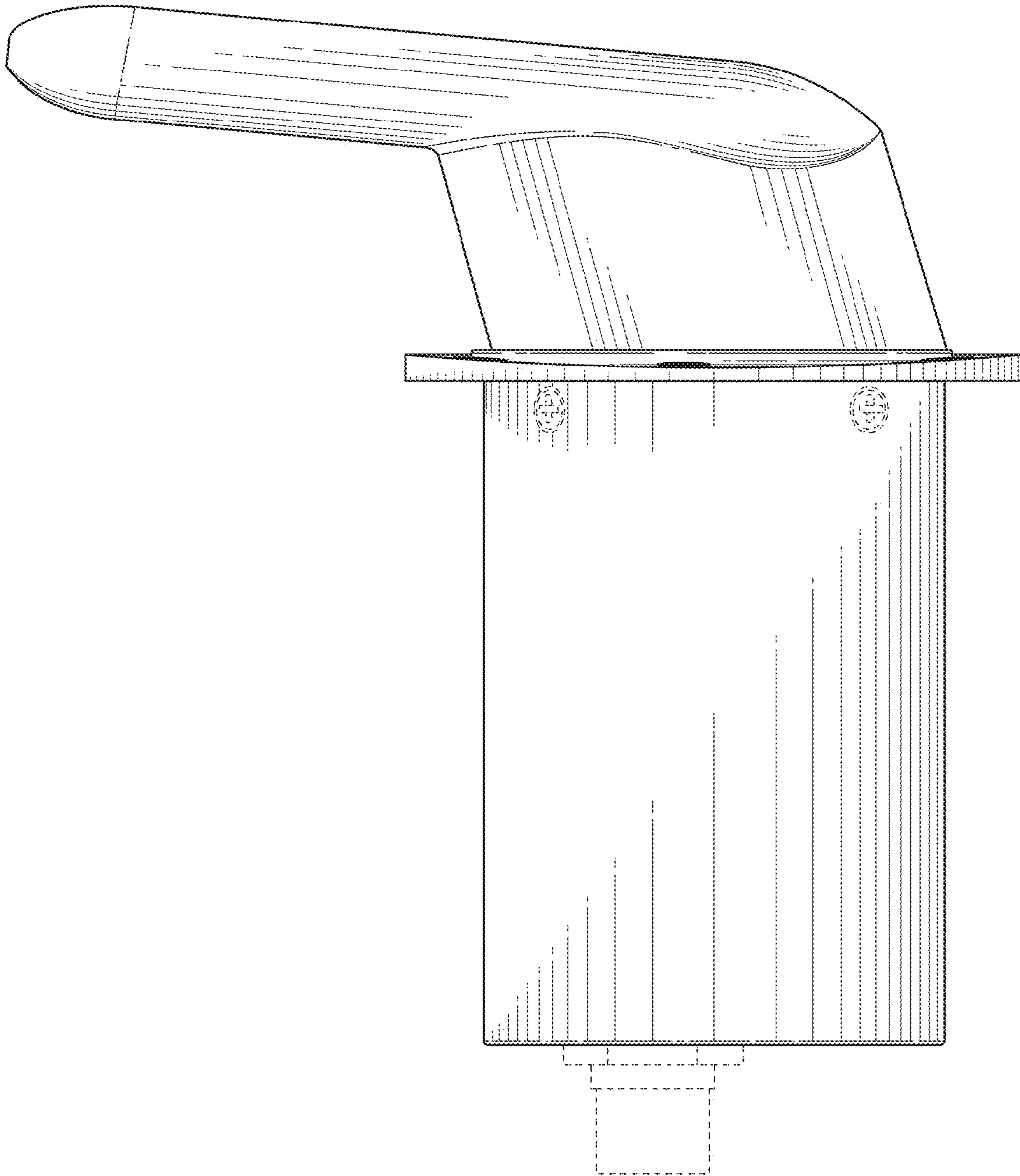


FIG. 3

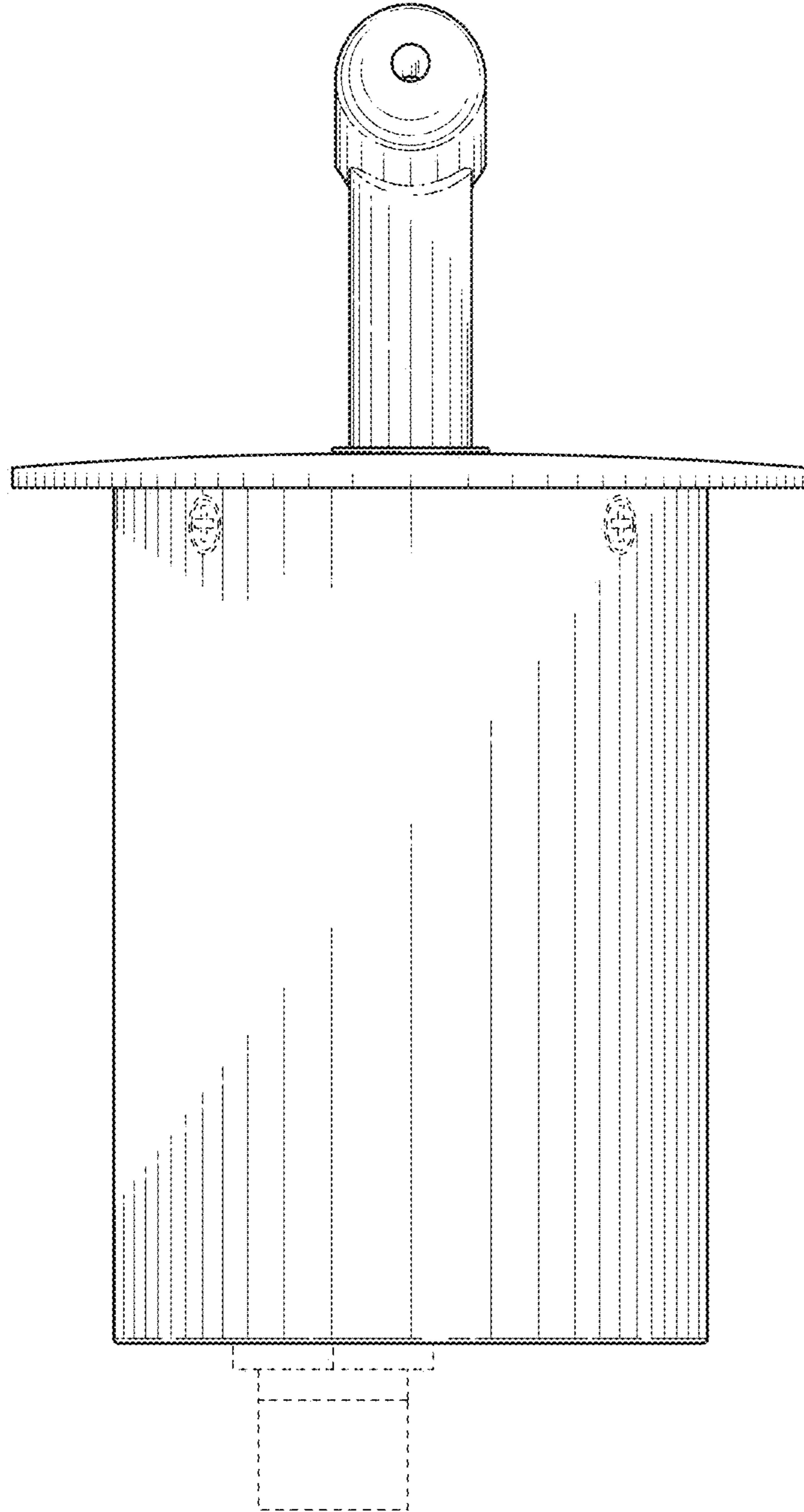


FIG. 4

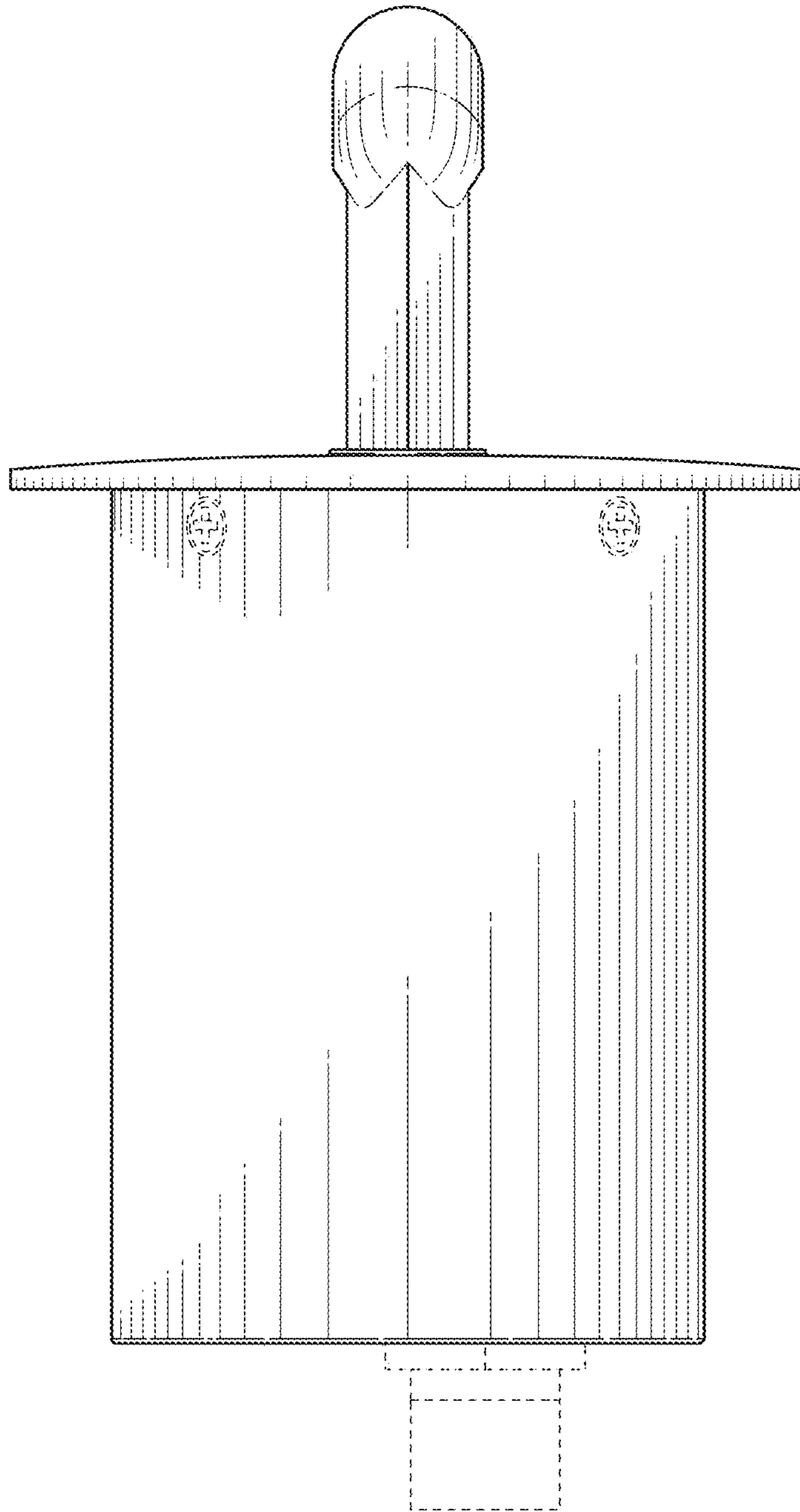


FIG. 5

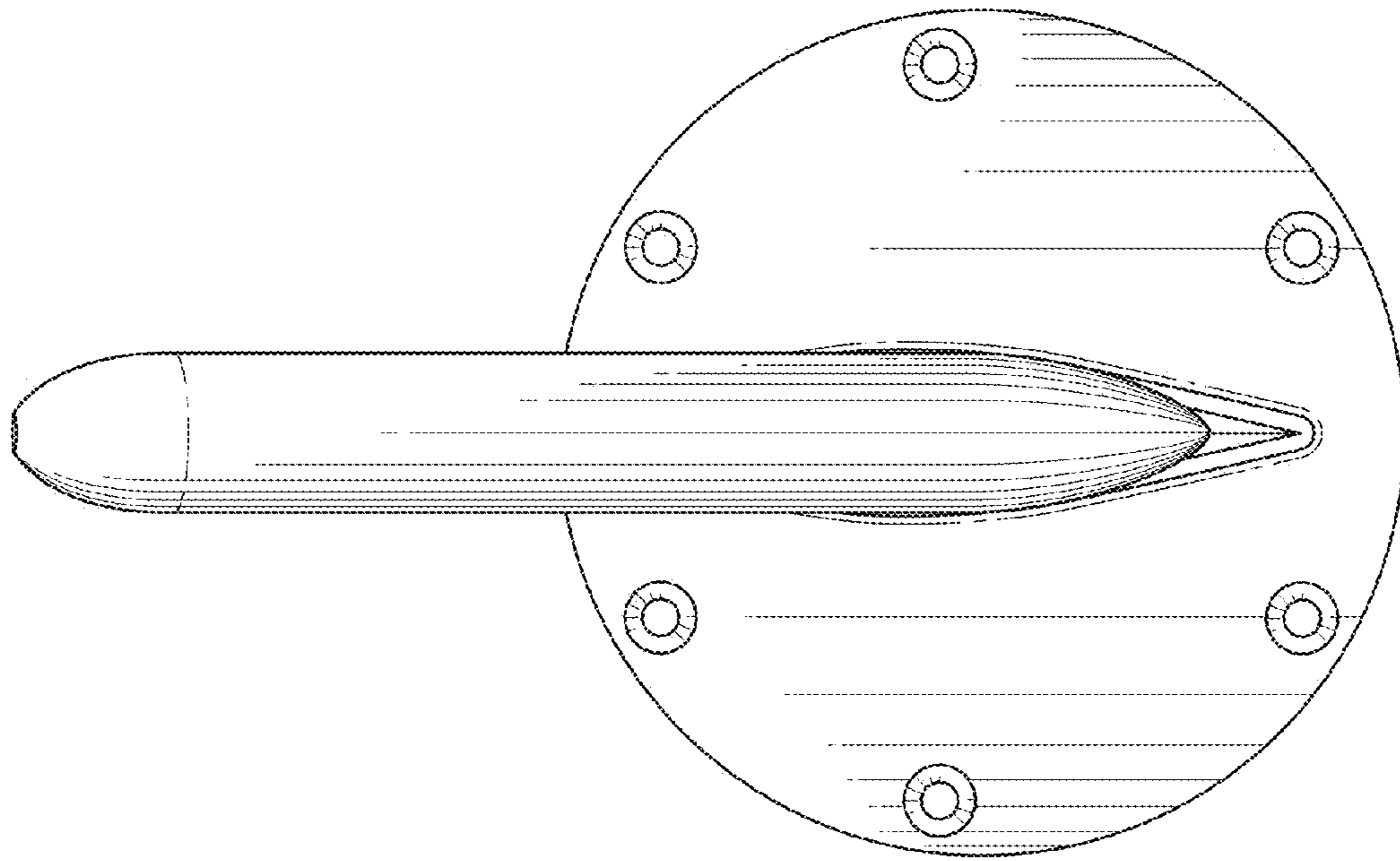


FIG. 6

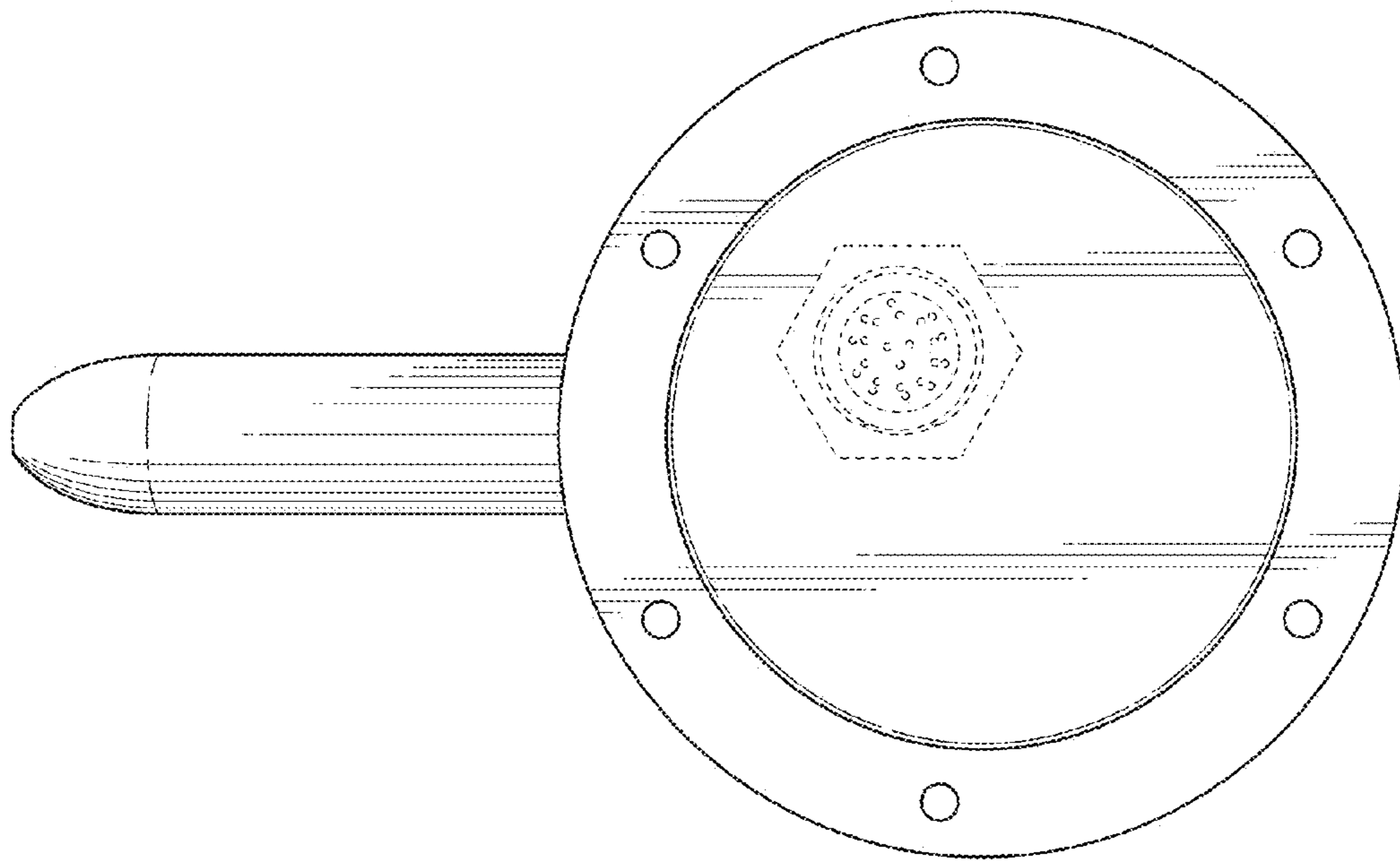


FIG. 7