



US00D747984S

(12) **United States Design Patent**
Zhao et al.

(10) **Patent No.:** **US D747,984 S**
(45) **Date of Patent:** **** Jan. 26, 2016**

(54) **BLUETOOTH-BASED SENSOR**

(71) Applicants: **Wuyang Zhao**, Beijing (CN); **Ruojiao Zhang**, Beijing (CN); **Xin Zheng**, Beijing (CN); **Xiaofei Yuan**, Beijing (CN); **Mingming Zhang**, Beijing (CN)

(72) Inventors: **Wuyang Zhao**, Beijing (CN); **Ruojiao Zhang**, Beijing (CN); **Xin Zheng**, Beijing (CN); **Xiaofei Yuan**, Beijing (CN); **Mingming Zhang**, Beijing (CN)

(73) Assignees: **Sensoro Co. Ltd.**, Beijing (CN); **Wuyang Zhao**, Beijing (CN); **Donhwei Zhao**, Beijing (CN)

(**) Term: **14 Years**

(21) Appl. No.: **29/501,061**

(22) Filed: **Aug. 30, 2014**

(30) **Foreign Application Priority Data**

Jul. 31, 2014 (CN) 2014 3 0266409

(51) **LOC (10) Cl.** **10-04**

(52) **U.S. Cl.**
USPC **D10/52; D10/53**

(58) **Field of Classification Search**
USPC D10/65, 70, 75, 78, 103, 106.1-106.6, D10/49-50, 52-56
CPC G08G 1/096883; G08G 1/096872; G08G 1/096775; G01C 21/16; G01C 21/3688; G01C 21/30; G01V 8/20; G01J 5/02; G01J 5/023; G01J 5/24; G01J 5/10; G01J 5/20; G01J 5/0235; G01J 5/08; G01J 5/0853; G01J 5/33; G01J 5/34; G01J 5/00

See application file for complete search history.

(56) **References Cited**

U.S. PATENT DOCUMENTS

D502,414	S	*	3/2005	Shibata et al.	D10/57
D506,689	S	*	6/2005	Backlund et al.	D10/60
D565,438	S	*	4/2008	Serre	D10/57
D666,929	S	*	9/2012	Tyler	D10/57
D668,164	S	*	10/2012	Cowles et al.	D10/70
D683,636	S	*	6/2013	Levanen	D10/70
D687,328	S	*	8/2013	Clymer et al.	D10/70
D700,080	S	*	2/2014	Broadbent et al.	D10/65
D717,674	S	*	11/2014	Vu et al.	D10/65
2005/0022485	A1	*	2/2005	Park et al.	55/385.1
2005/0279841	A1	*	12/2005	Schwendinger et al.	236/1 C
2007/0158444	A1	*	7/2007	Naujok et al.	236/91 D
2012/0130547	A1	*	5/2012	Fadell et al.	700/276
2014/0091153	A1	*	4/2014	Stefanski et al.	236/1 C
2014/0324232	A1	*	10/2014	Modi et al.	700/278
2015/0028731	A1	*	1/2015	Etlinger	312/223.1

* cited by examiner

Primary Examiner — Antoine D Davis

(74) *Attorney, Agent, or Firm* — Che-Yang Chen; Law Office of Michael Chen

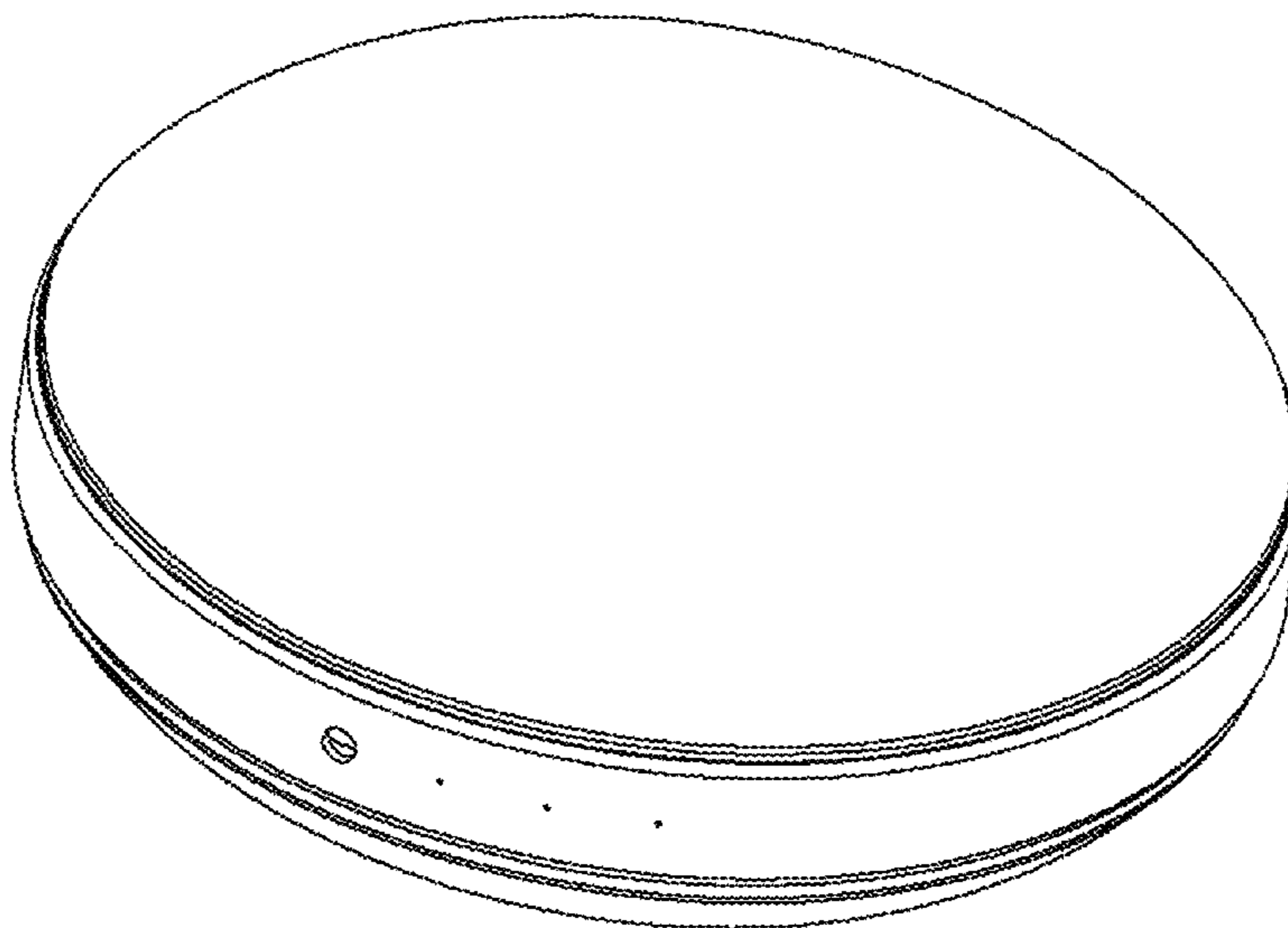
(57) **CLAIM**

The ornamental design for a bluetooth-based sensor, as shown and described.

DESCRIPTION

FIG. 1 is a perspective view of the bluetooth-based sensor showing my new design;
FIG. 2 is a front elevational view thereof;
FIG. 3 is a rear elevational view thereof;
FIG. 4 is a left side elevational view thereof;
FIG. 5 is a right side elevational thereof;
FIG. 6 is a top plan view thereof; and,
FIG. 7 is a bottom plan view thereof.
The dashed lines are intended for the purpose of illustrating environment and form no part of the claimed design.

1 Claim, 7 Drawing Sheets



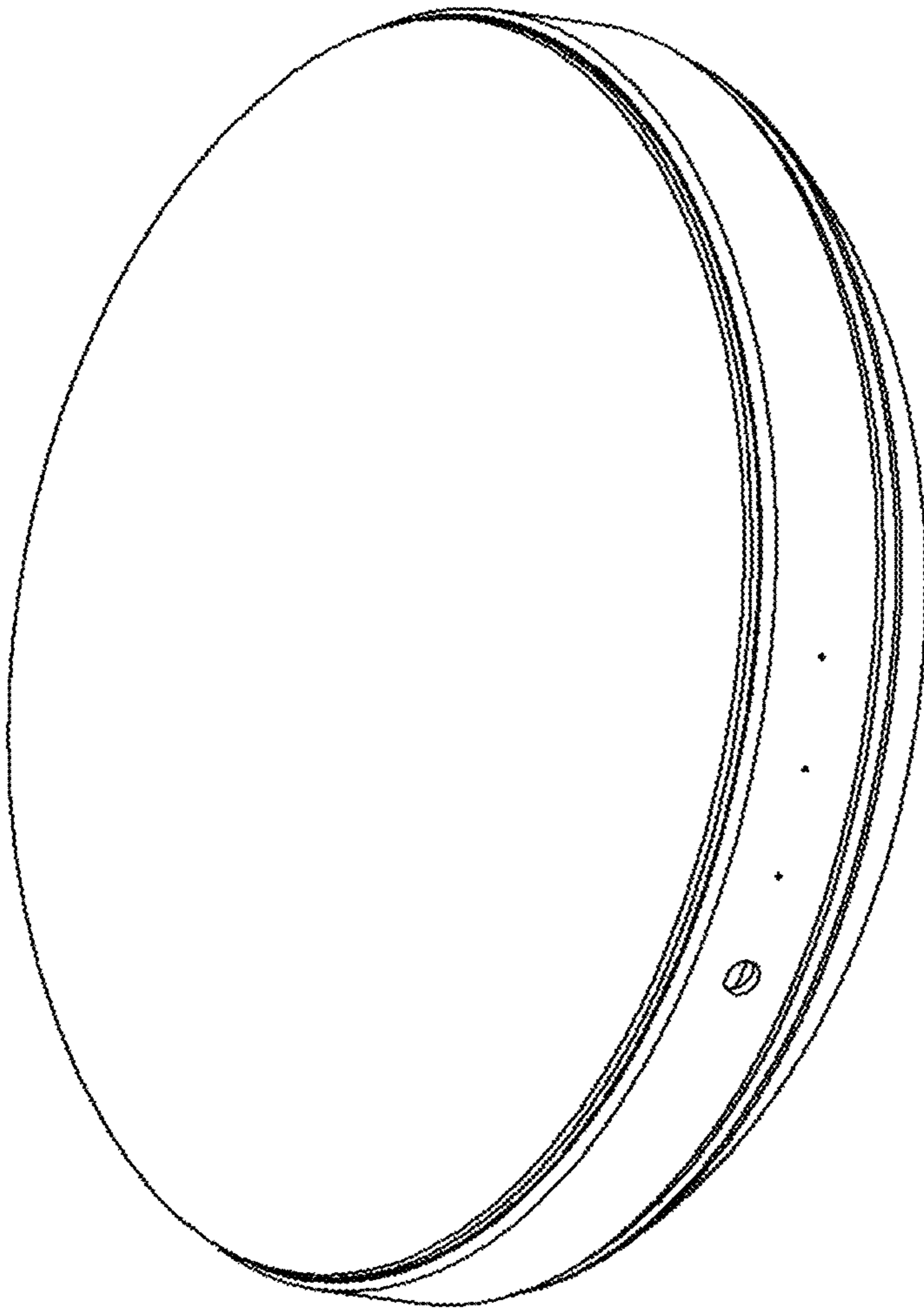


FIG. 1

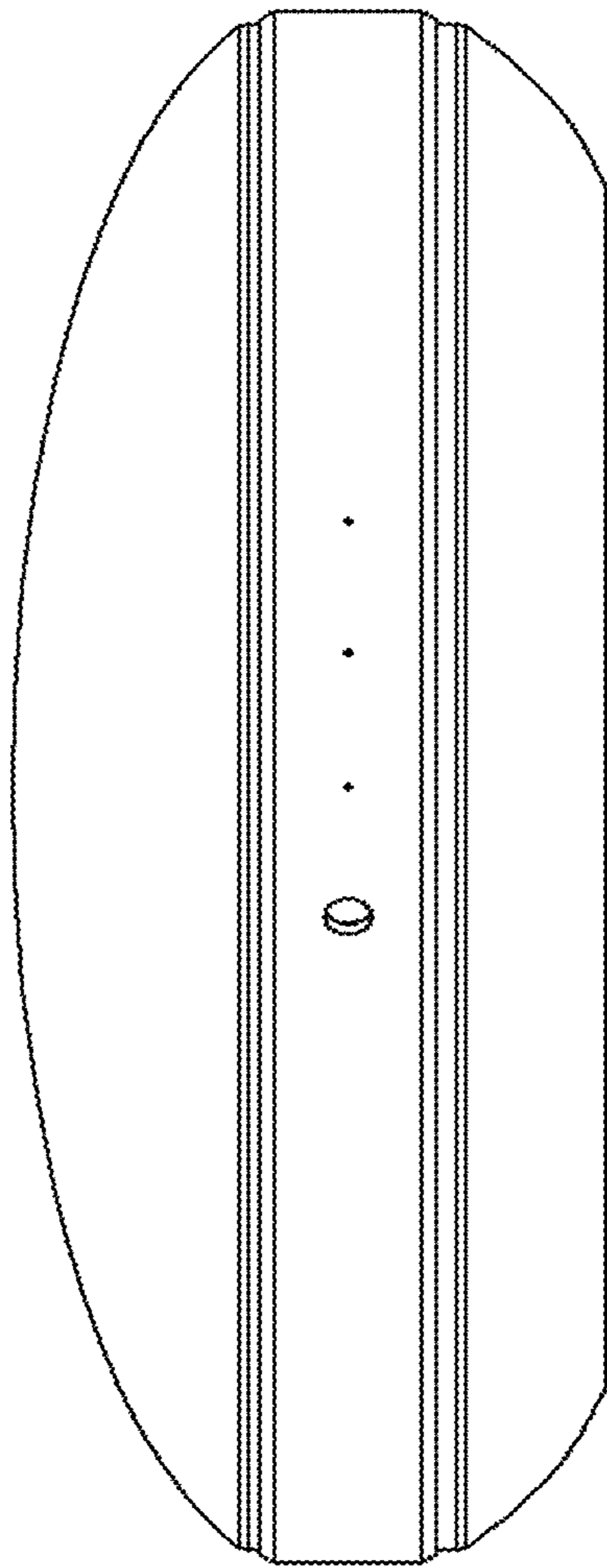


FIG. 2

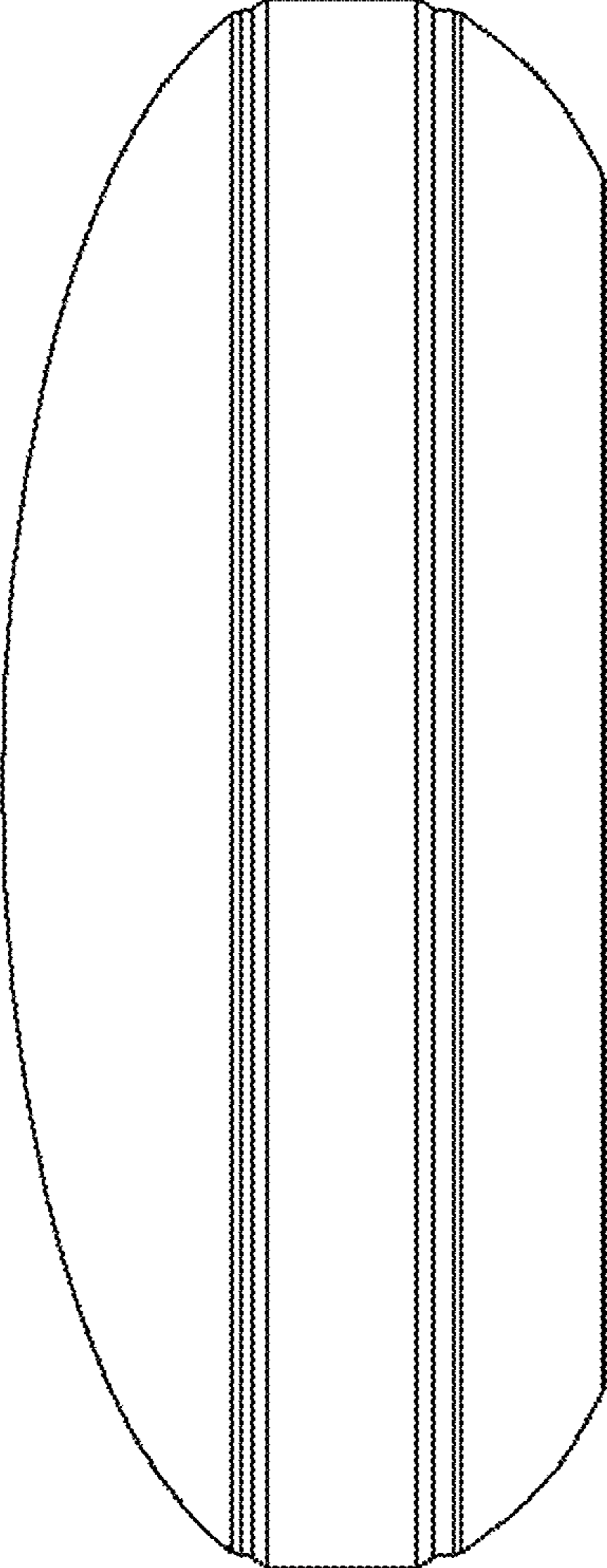


FIG. 3

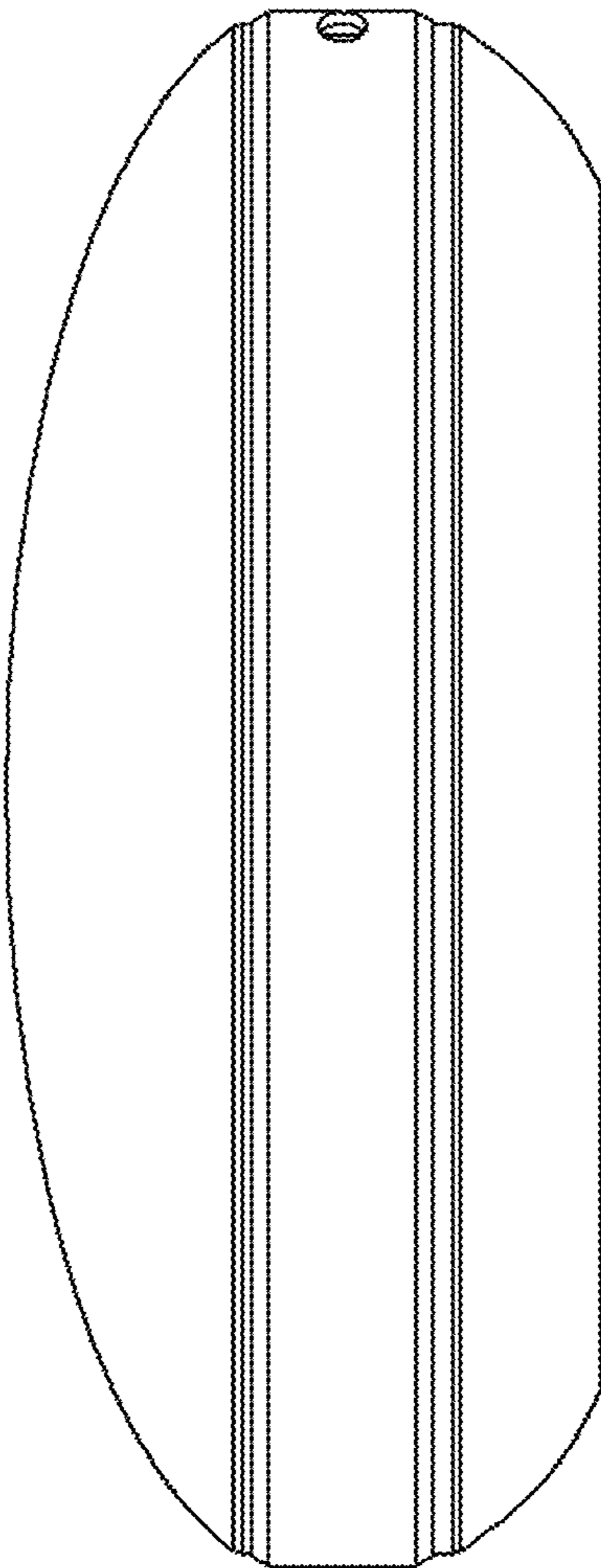


FIG. 4

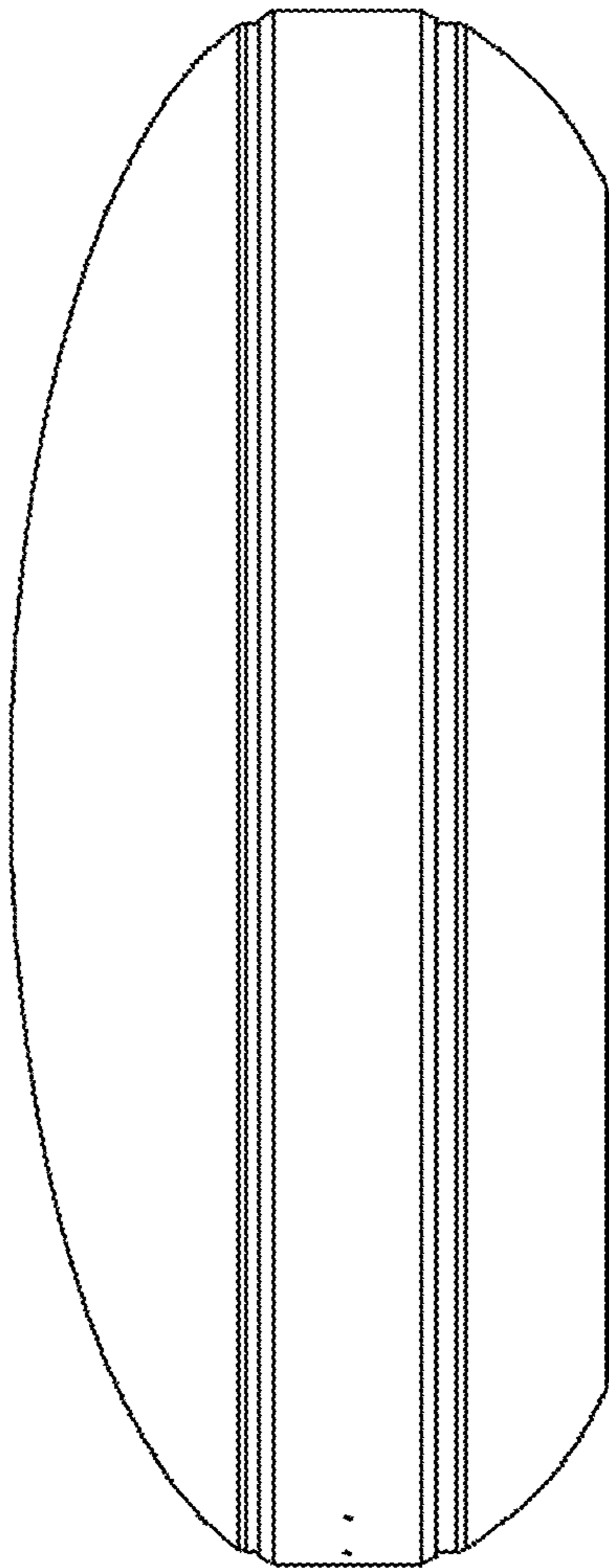


FIG. 5

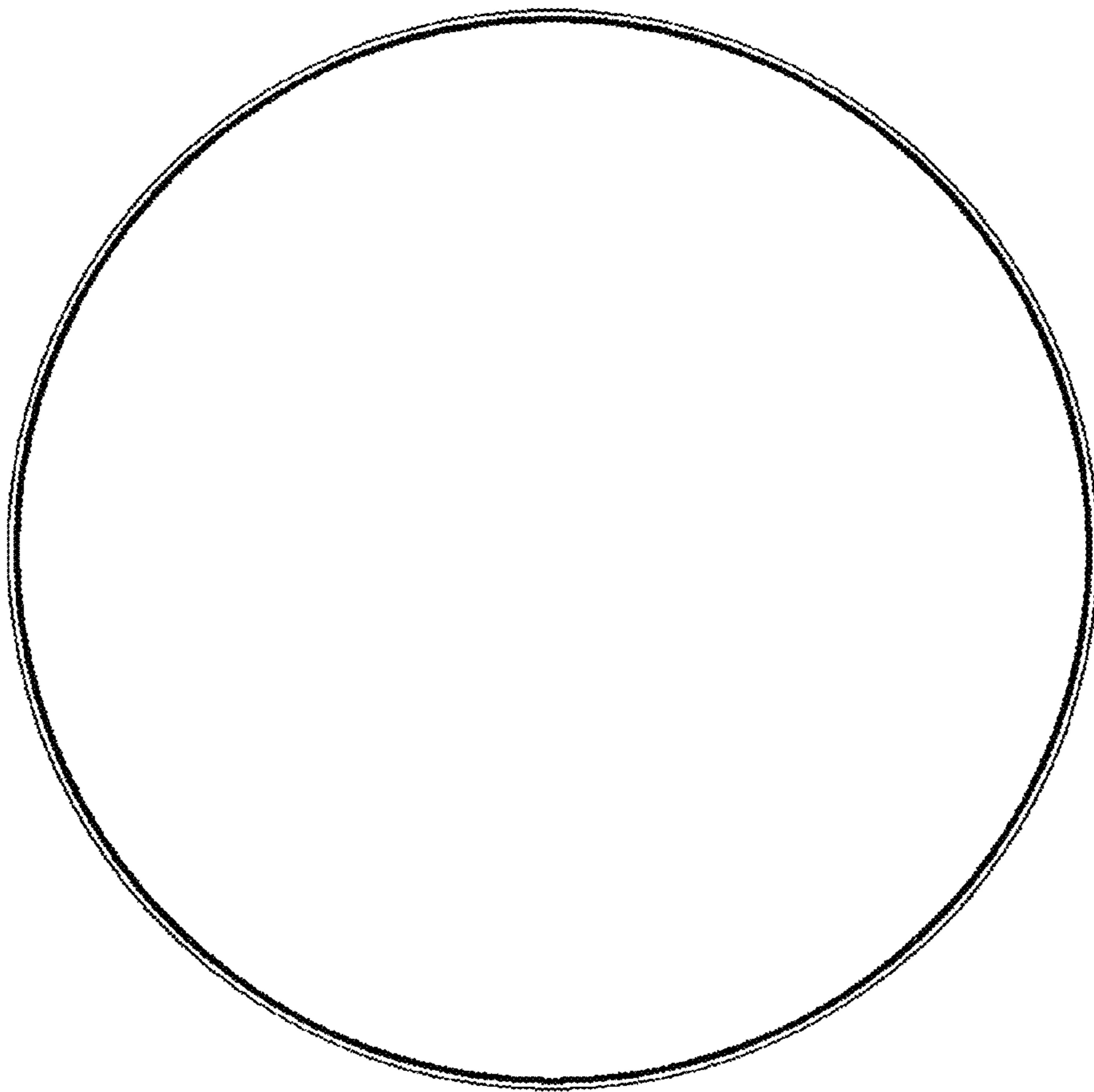


FIG. 6

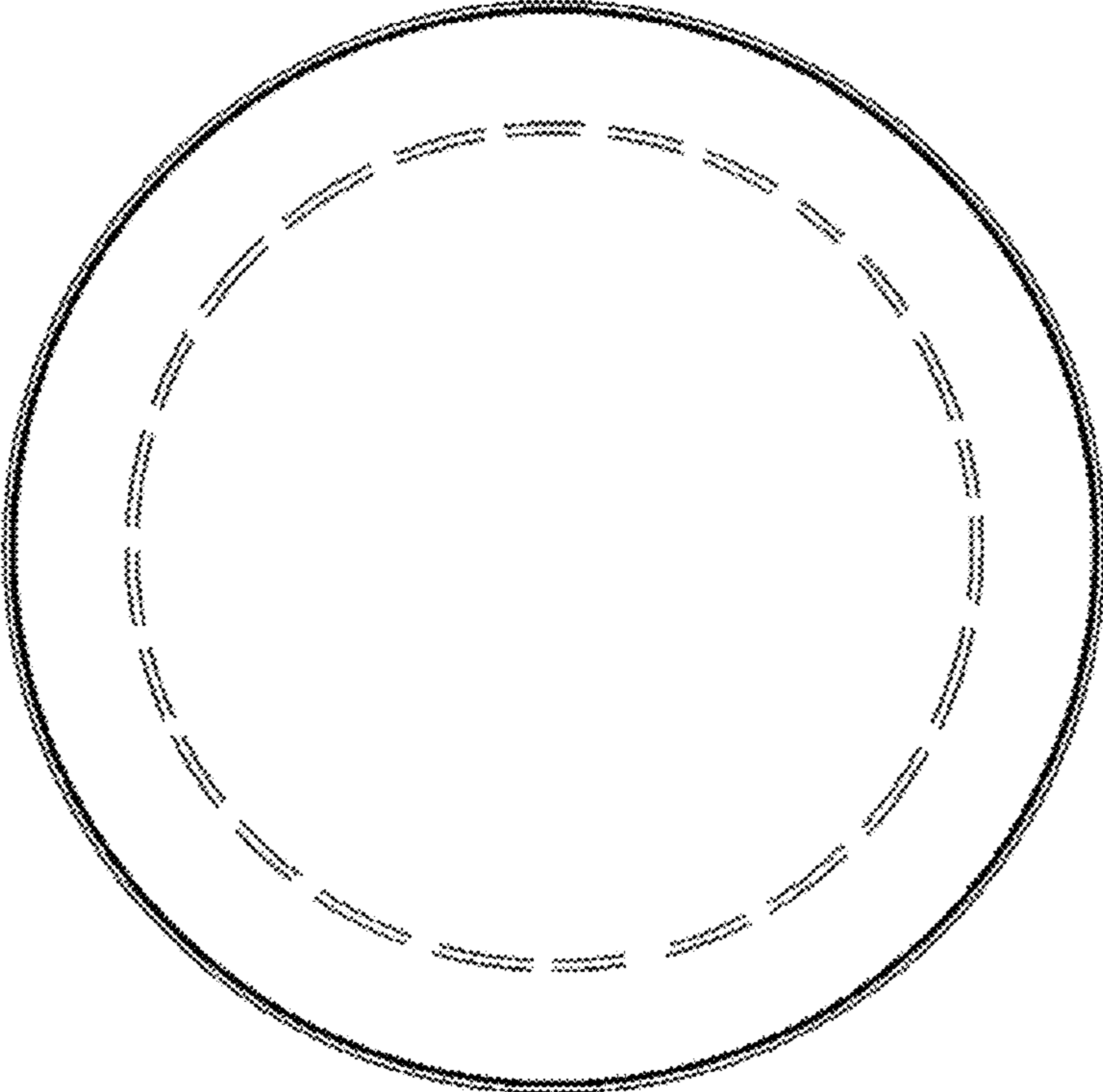


FIG. 7