



US00D747983S

(12) **United States Design Patent**
Salama

(10) **Patent No.:** **US D747,983 S**
(45) **Date of Patent:** **** Jan. 26, 2016**

(54) **PARKING METER HOUSING**

FOREIGN PATENT DOCUMENTS

(71) Applicant: **Duncan Solutions, Inc.**, Milwaukee, WI (US)

WO WO 2012/154902 11/2012
WO WO 2012/154913 11/2012

(72) Inventor: **Asaf Salama**, Mequon, WI (US)

OTHER PUBLICATIONS

(73) Assignee: **DUNCAN PARKING TECHNOLOGIES, INC.**, Milwaukee, WI (US)

Duncan Solutions, Eagle CK Single-Space Meter Mechanism Brochure, believed to be commercially available before May 10, 2010, 2 pages.

(Continued)

(**) Term: **14 Years**

Primary Examiner — Martie K Holtje

(21) Appl. No.: **29/499,560**

(74) *Attorney, Agent, or Firm* — Hunton & Williams LLP

(22) Filed: **Aug. 15, 2014**

(57) **CLAIM**

I claim the ornamental design for a parking meter housing, as shown and described.

Related U.S. Application Data

DESCRIPTION

(62) Division of application No. 29/479,310, filed on Jan. 14, 2014, now Pat. No. Des. 714,165.

(51) **LOC (10) Cl.** **10-03**

(52) **U.S. Cl.**
USPC **D10/42**

(58) **Field of Classification Search**
USPC D10/42, 40, 41, 43, 44, 45; D20/6, 9; D99/8

CPC G07F 17/24; G07F 17/248; G07C 1/30; G07B 15/02; G06Q 20/18; G06Q 30/0284
See application file for complete search history.

FIG. 1 is a top, right front perspective view of a parking meter housing showing my new design;
FIG. 2 is a front view thereof drawn to a reduced scale;
FIG. 3 is a rear view of FIG. 2;
FIG. 4 is a right side view of FIG. 2;
FIG. 5 is a left side view of FIG. 2;
FIG. 6 is a top plan view of FIG. 2;
FIG. 7 is a bottom plan view of FIG. 2;
FIG. 8 is a second top, right front perspective view of FIG. 2;
FIG. 9 is a top, rear perspective view drawn to the scale of FIG. 1; and,
FIG. 10 is a bottom front perspective view drawn to the scale of FIG. 1.

The additional structure depicted by broken lines in FIG. 8 has been shown for the purpose of illustrating environment that forms no part of the claimed design. The broken lines in FIG. 7 represent boundaries the areas within which form no part of the claimed design.

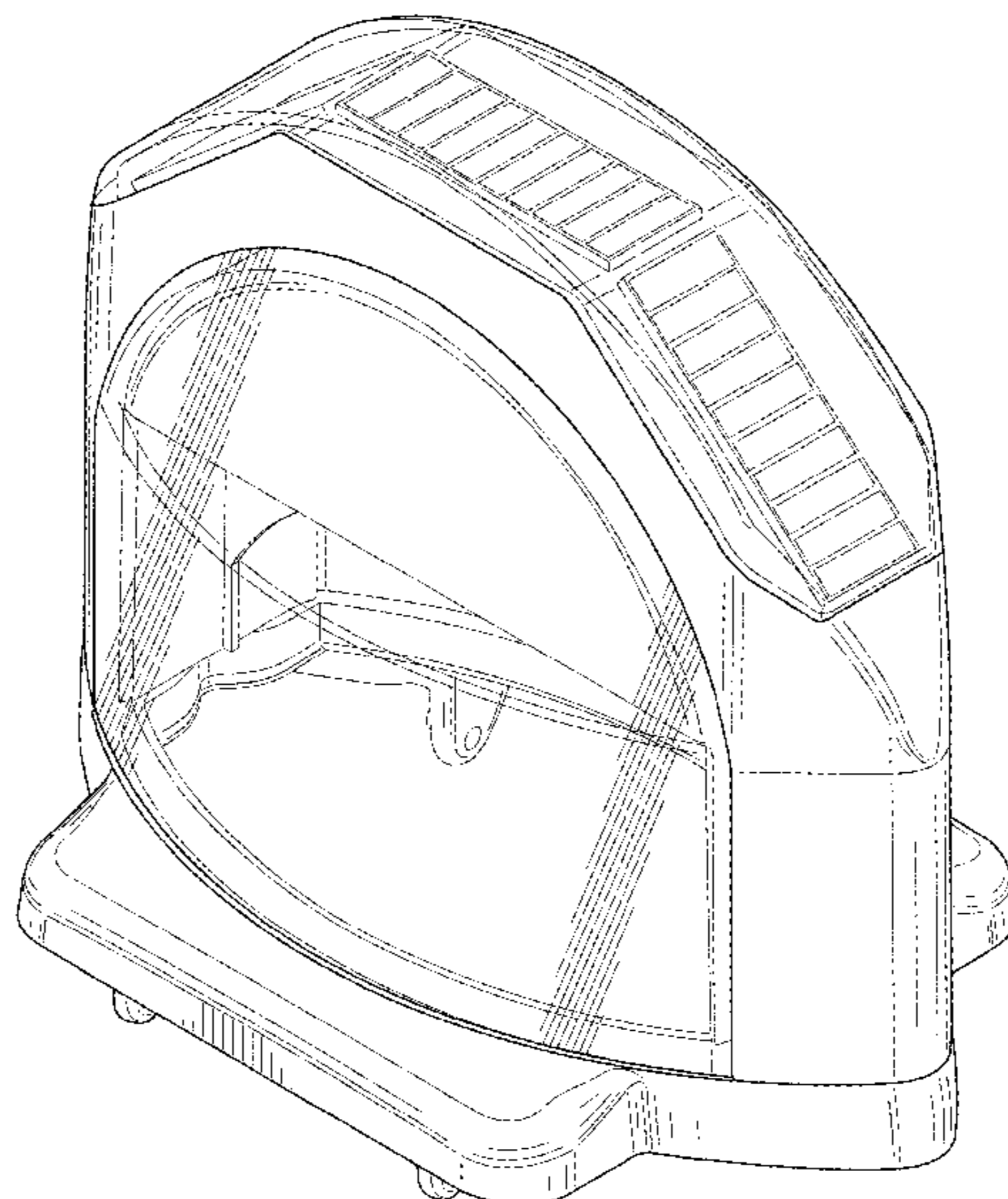
(56) **References Cited**

U.S. PATENT DOCUMENTS

D100,875 S	8/1936	Michaels
D101,237 S	9/1936	Miller
D112,677 S	12/1938	Broussard et al.
2,483,805 A	10/1949	Broussard et al.
2,495,784 A	1/1950	Starts
2,550,433 A	4/1951	Tichenor

(Continued)

1 Claim, 10 Drawing Sheets



(56)

References Cited

U.S. PATENT DOCUMENTS

2,594,388 A 4/1952 Broussard
 D166,753 S 5/1952 Jones
 2,596,122 A 5/1952 Broussard
 2,596,123 A 5/1952 Broussard
 2,596,124 A 5/1952 Broussard
 2,613,792 A 10/1952 Broussard et al.
 2,613,871 A 10/1952 Broussard et al.
 2,618,371 A 11/1952 Broussard
 2,633,960 A 4/1953 Broussard
 D181,359 S 11/1957 Jones
 2,818,371 A 12/1957 Wessinger
 2,985,978 A 5/1961 Breen et al.
 D200,216 S 2/1965 Broussard
 3,199,321 A 8/1965 Sollenberger
 3,204,438 A 9/1965 Sollenberger
 3,262,540 A 7/1966 Sollenberger et al.
 3,272,299 A 9/1966 Sollenberger
 3,438,031 A 4/1969 Fathauer
 3,486,324 A 12/1969 Andersson
 3,519,113 A 7/1970 Arzig et al.
 3,565,283 A 2/1971 Sciacero et al.
 3,999,372 A 12/1976 Welch et al.
 4,248,336 A 2/1981 Fiedler
 4,872,149 A 10/1989 Speas
 4,880,406 A 11/1989 Van Horn et al.
 5,060,777 A 10/1991 Van Horn et al.
 5,088,073 A 2/1992 Speas
 5,109,972 A 5/1992 Van Horn et al.
 5,119,916 A 6/1992 Carmen et al.
 5,155,614 A 10/1992 Carmen et al.
 5,184,707 A 2/1993 Van Horn et al.
 5,244,070 A 9/1993 Carmen et al.
 5,273,151 A 12/1993 Carmen et al.
 5,382,780 A 1/1995 Carmen
 5,407,049 A 4/1995 Jacobs
 5,526,662 A 6/1996 Diekhoff et al.
 5,614,892 A 3/1997 Ward, II et al.
 5,617,942 A 4/1997 Ward et al.
 5,642,119 A 6/1997 Jacobs
 5,710,743 A 1/1998 Dee et al.
 5,732,812 A 3/1998 Grainger et al.
 5,805,083 A 9/1998 Sutton et al.
 5,806,651 A 9/1998 Carmen et al.
 5,841,369 A 11/1998 Sutton et al.
 5,852,411 A 12/1998 Jacobs et al.
 5,903,520 A 5/1999 Dee et al.
 5,966,345 A 10/1999 Dee et al.
 6,098,361 A 8/2000 Roten
 6,109,418 A 8/2000 Yost
 6,111,522 A 8/2000 Hiltz et al.
 6,116,403 A 9/2000 Kiehl
 D431,788 S 10/2000 Tuxen et al.
 RE37,193 E 5/2001 Ward et al.

6,229,455 B1 5/2001 Yost et al.
 6,230,868 B1 5/2001 Tuxen et al.
 6,275,170 B1 8/2001 Jacobs et al.
 6,309,098 B1 10/2001 Wong
 6,312,152 B2 11/2001 Dee et al.
 6,354,425 B1 3/2002 Tuxen et al.
 D461,728 S 8/2002 Tuxen et al.
 6,575,281 B2 6/2003 Lee
 6,747,575 B2 6/2004 Chauvin et al.
 6,874,340 B1 4/2005 Berman
 6,889,899 B2 5/2005 Silberberg
 7,237,176 B2 6/2007 Briggs et al.
 D575,168 S 8/2008 King et al.
 D587,141 S 2/2009 King et al.
 7,617,120 B2 11/2009 Derasmo et al.
 7,806,248 B2 10/2010 Hunter et al.
 7,825,826 B2 11/2010 Welch
 7,854,310 B2 12/2010 King et al.
 7,874,482 B2 1/2011 Mitschele
 D654,816 S 2/2012 MacKay et al.
 D659,557 S 5/2012 Jones et al.
 8,184,019 B2 5/2012 Chauvin et al.
 8,193,540 B2 6/2012 Huang et al.
 8,395,532 B2 3/2013 Chauvin et al.
 D684,870 S 6/2013 Jones et al.
 8,479,909 B2 7/2013 King et al.
 8,513,832 B2 8/2013 Hunter et al.
 8,566,159 B2 10/2013 King et al.
 8,590,687 B2 11/2013 King et al.
 8,595,054 B2 11/2013 King et al.
 8,631,921 B2 1/2014 Jones et al.
 8,662,279 B2 3/2014 Jones et al.
 8,684,158 B2 4/2014 Jones et al.
 8,749,403 B2 6/2014 King et al.
 D714,165 S * 9/2014 Salama D10/42
 2001/0012241 A1 * 8/2001 Dee et al. 368/90
 2004/0264302 A1 12/2004 Ward
 2008/0071611 A1 3/2008 Lovett
 2008/0277468 A1 * 11/2008 Mitschele 235/384
 2009/0183966 A1 7/2009 King et al.
 2009/0192950 A1 7/2009 King et al.
 2011/0057815 A1 * 3/2011 King et al. 340/932.2
 2011/0060653 A1 * 3/2011 King et al. 705/14.58
 2012/0285790 A1 11/2012 Jones et al.
 2012/0286036 A1 11/2012 Jones et al.
 2012/0286968 A1 11/2012 Jones et al.

OTHER PUBLICATIONS

Duncan Solutions, Eagle 2100 Single-Space Meter Mechanism Brochure, believed to be commercially available before May 10, 2010, 2 pages.
 U.S. Appl. No. 29/427,620, filed Jul. 20, 2012, Jones et al.
 U.S. Appl. No. 29/455,221, filed May 17, 2013, Jones et al.
 U.S. Appl. No. 29/479,310, filed Jan. 14, 2014, Salama.

* cited by examiner

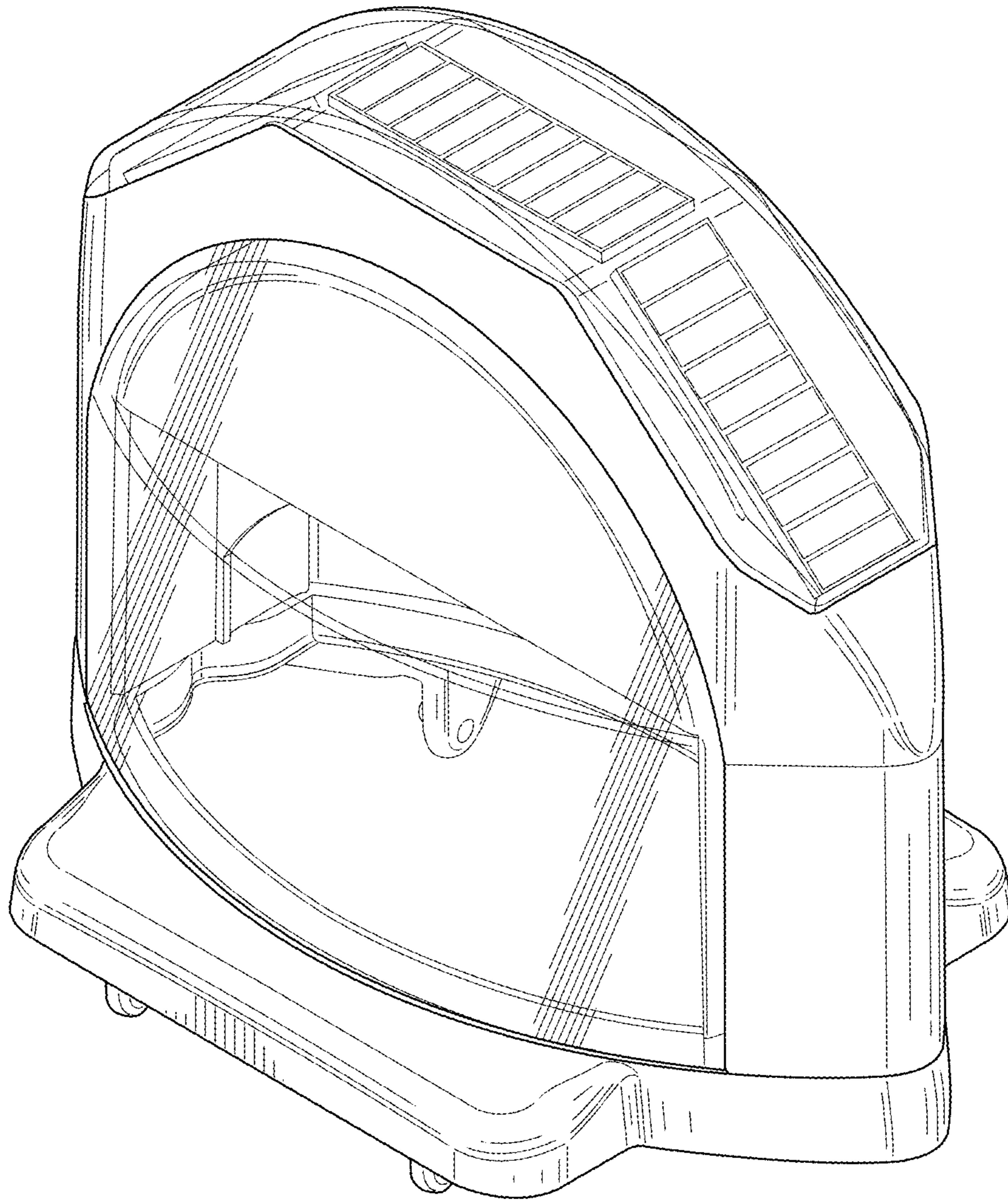


FIG. 1

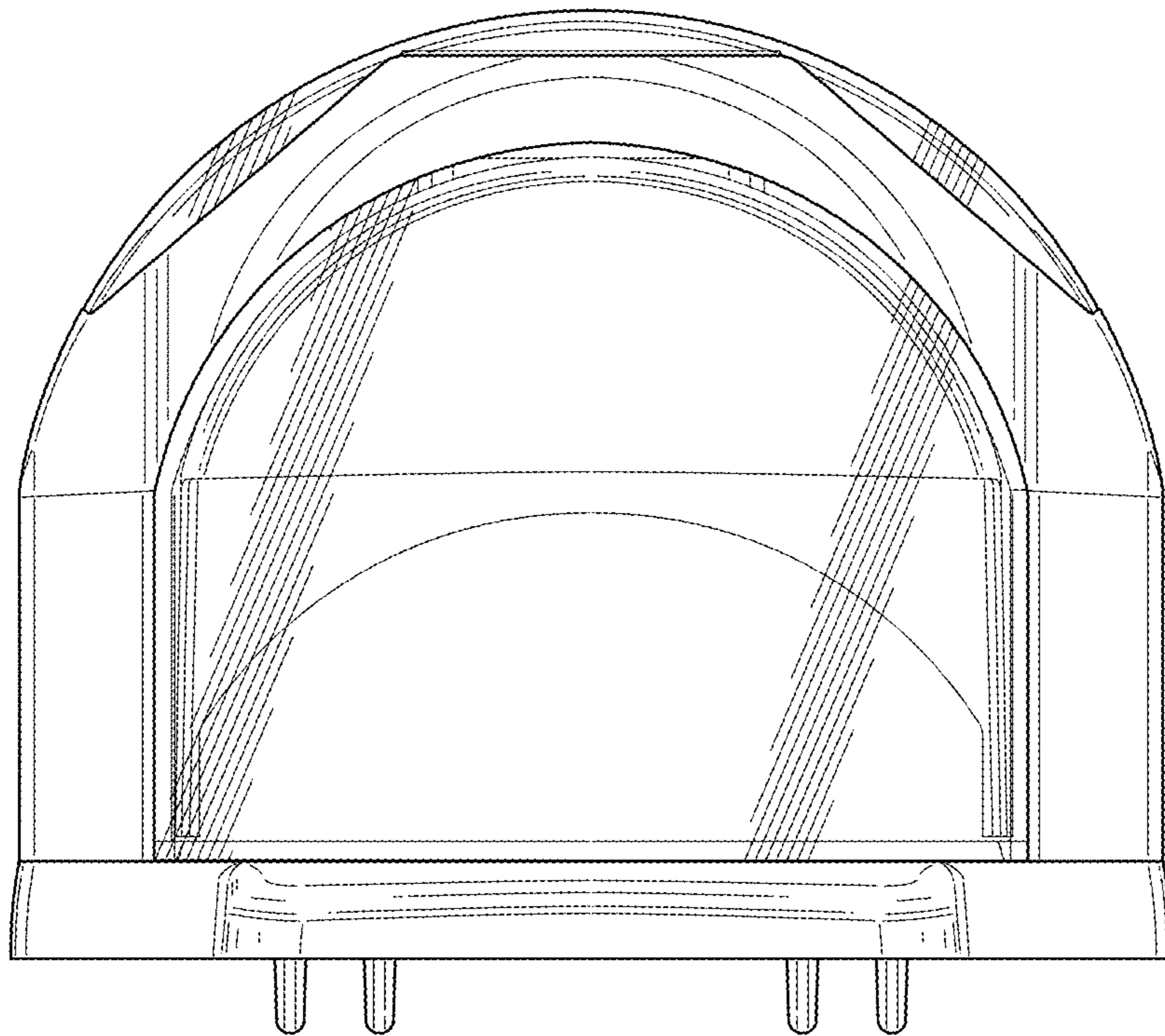


FIG. 2

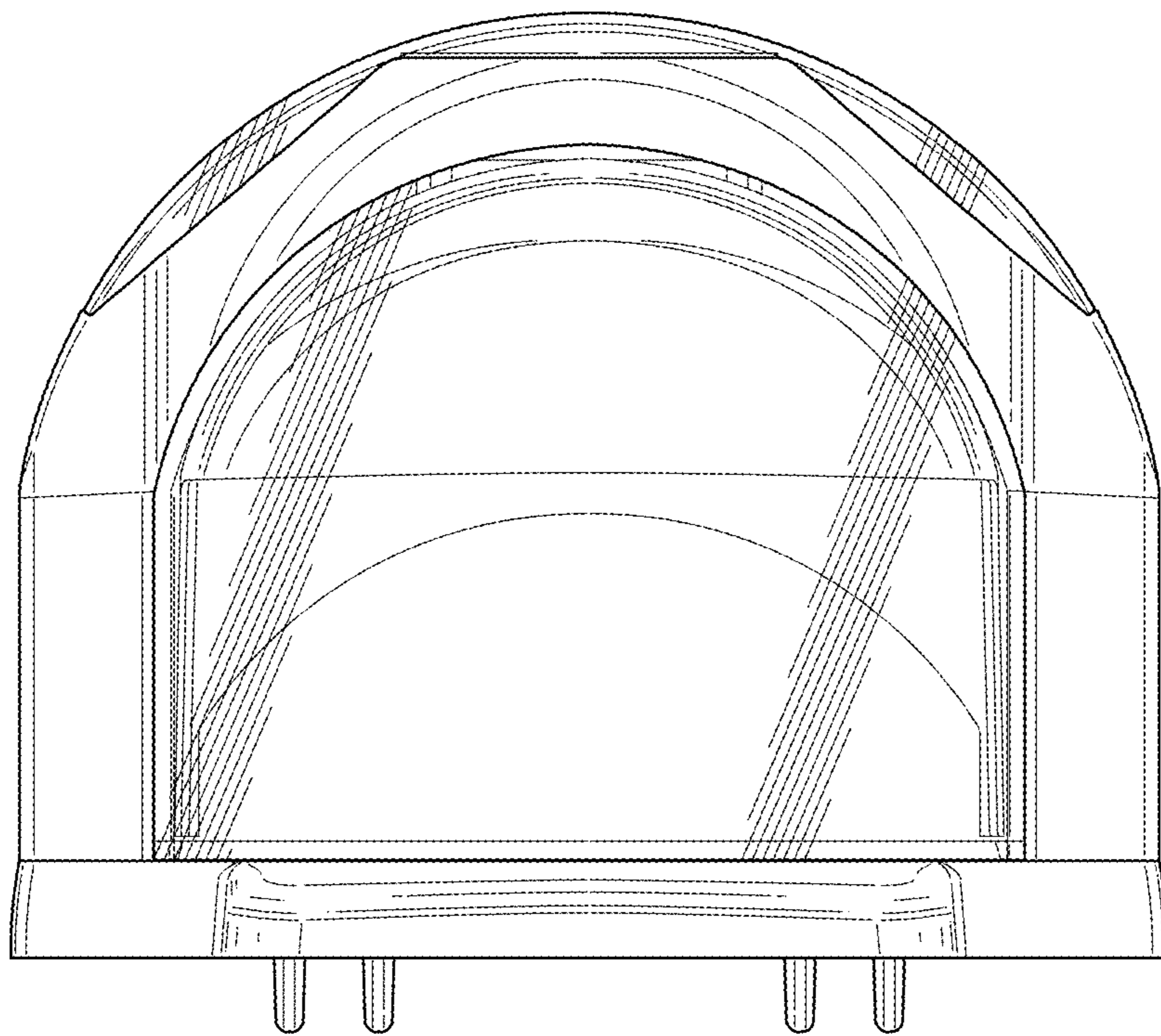


FIG. 3

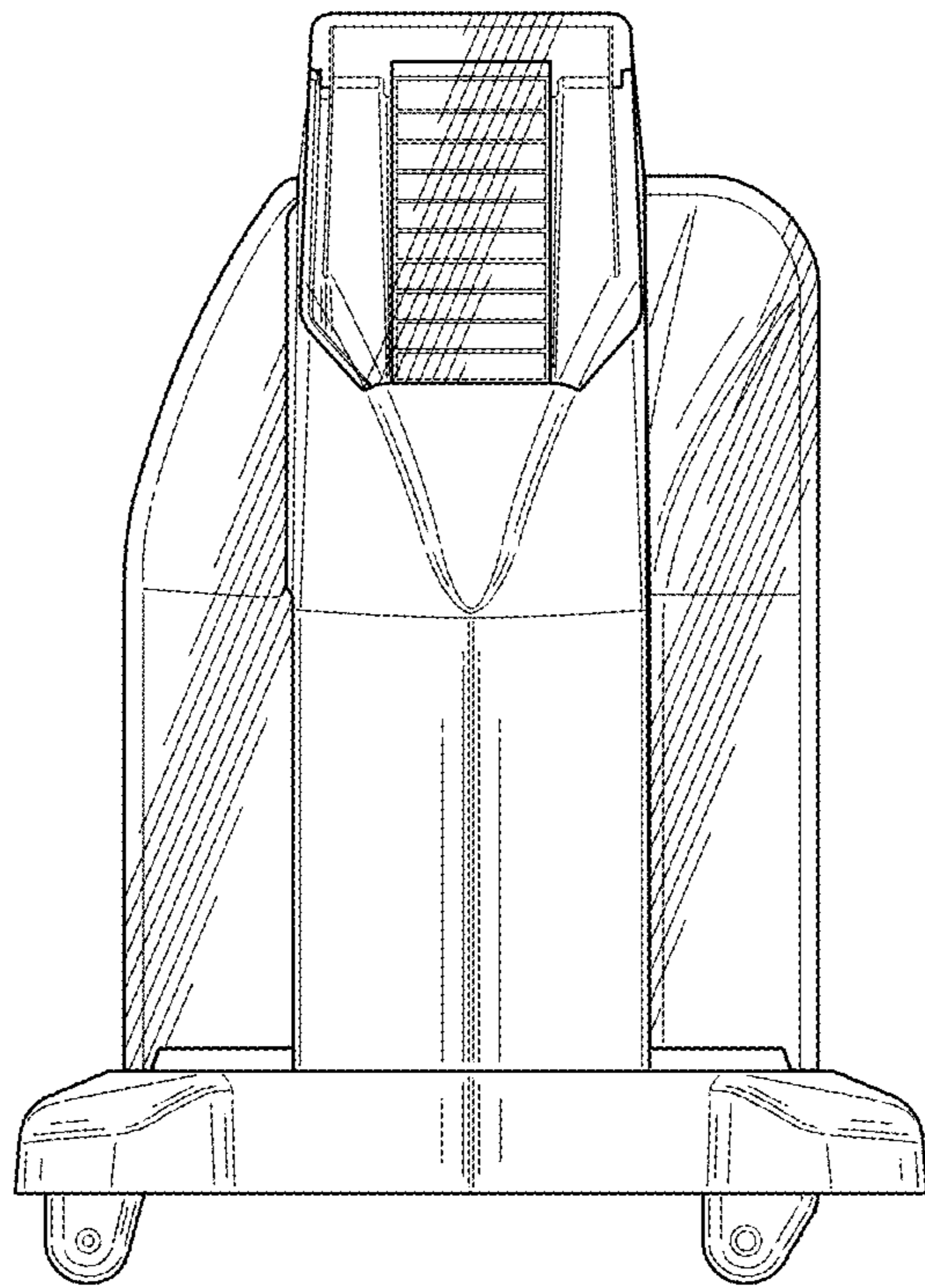


FIG. 4

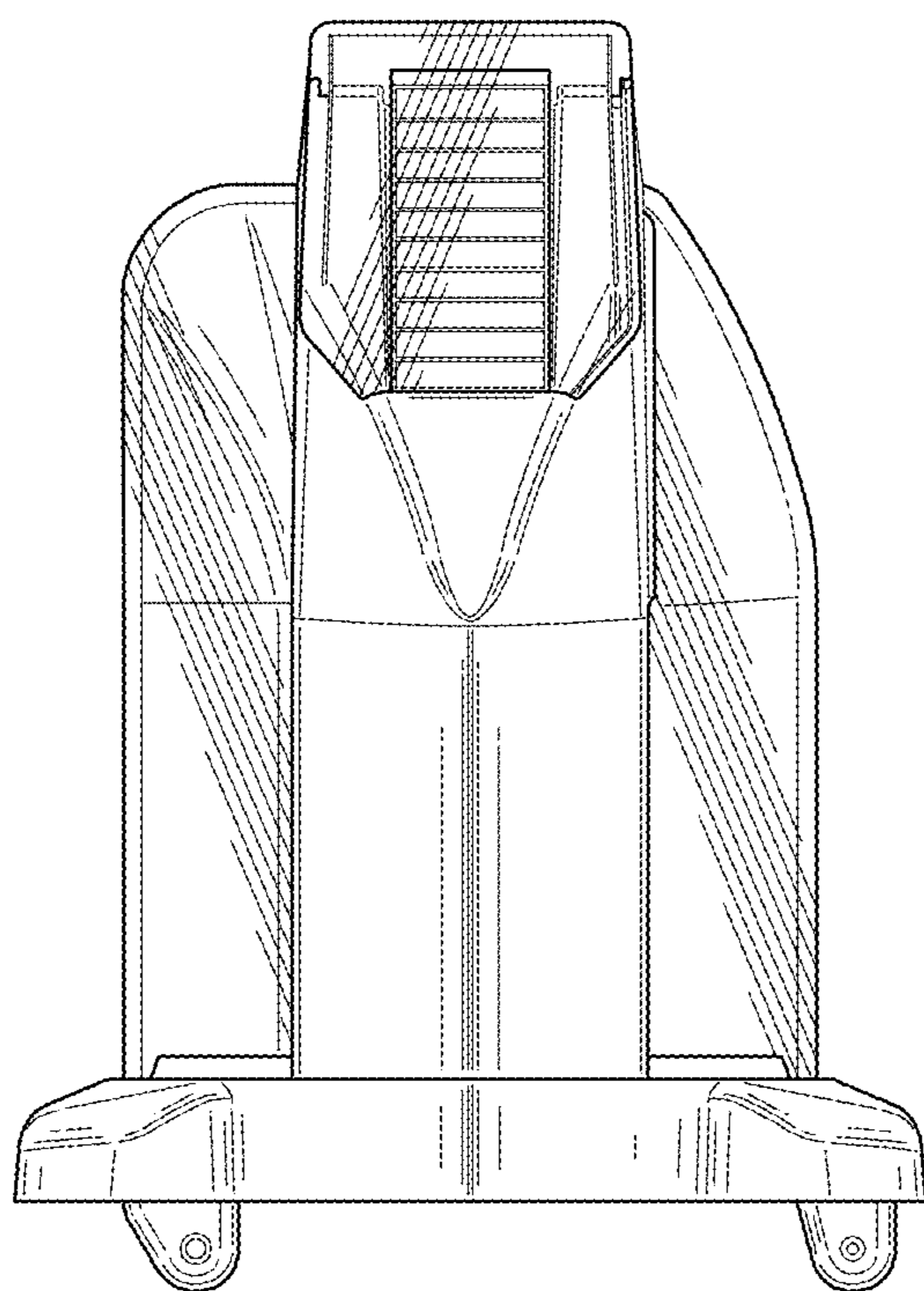


FIG. 5

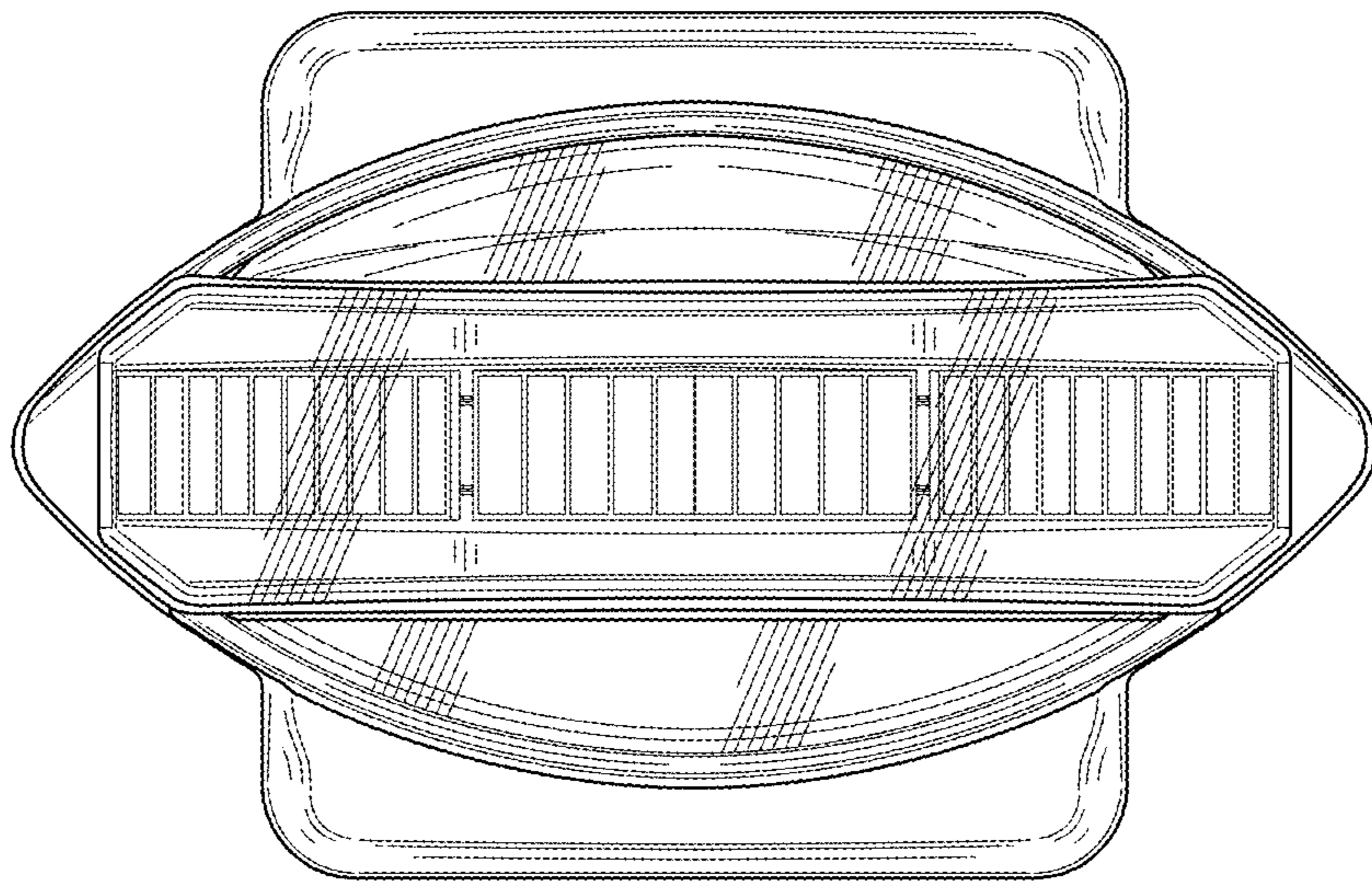


FIG. 6

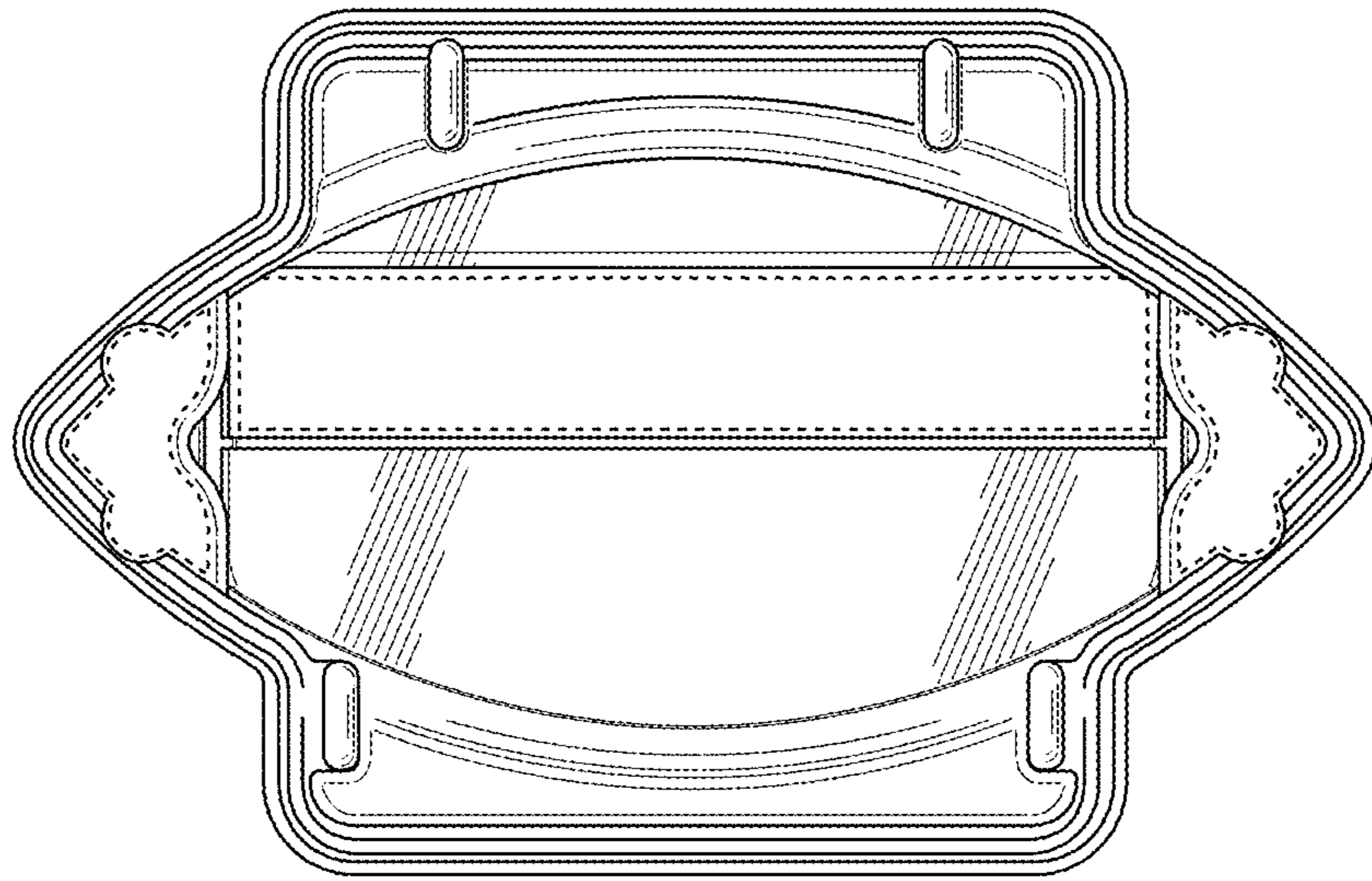


FIG. 7

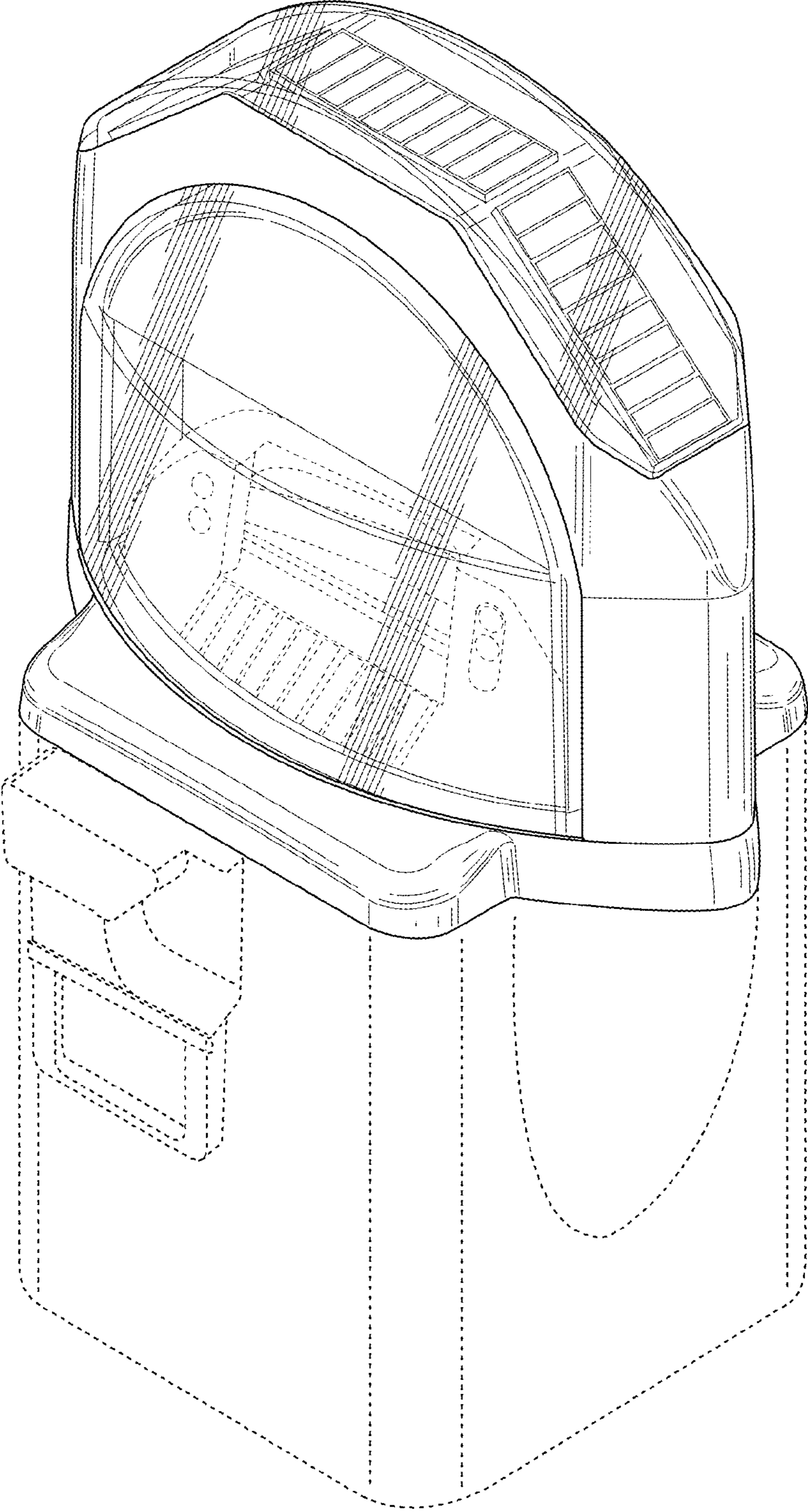


FIG. 8

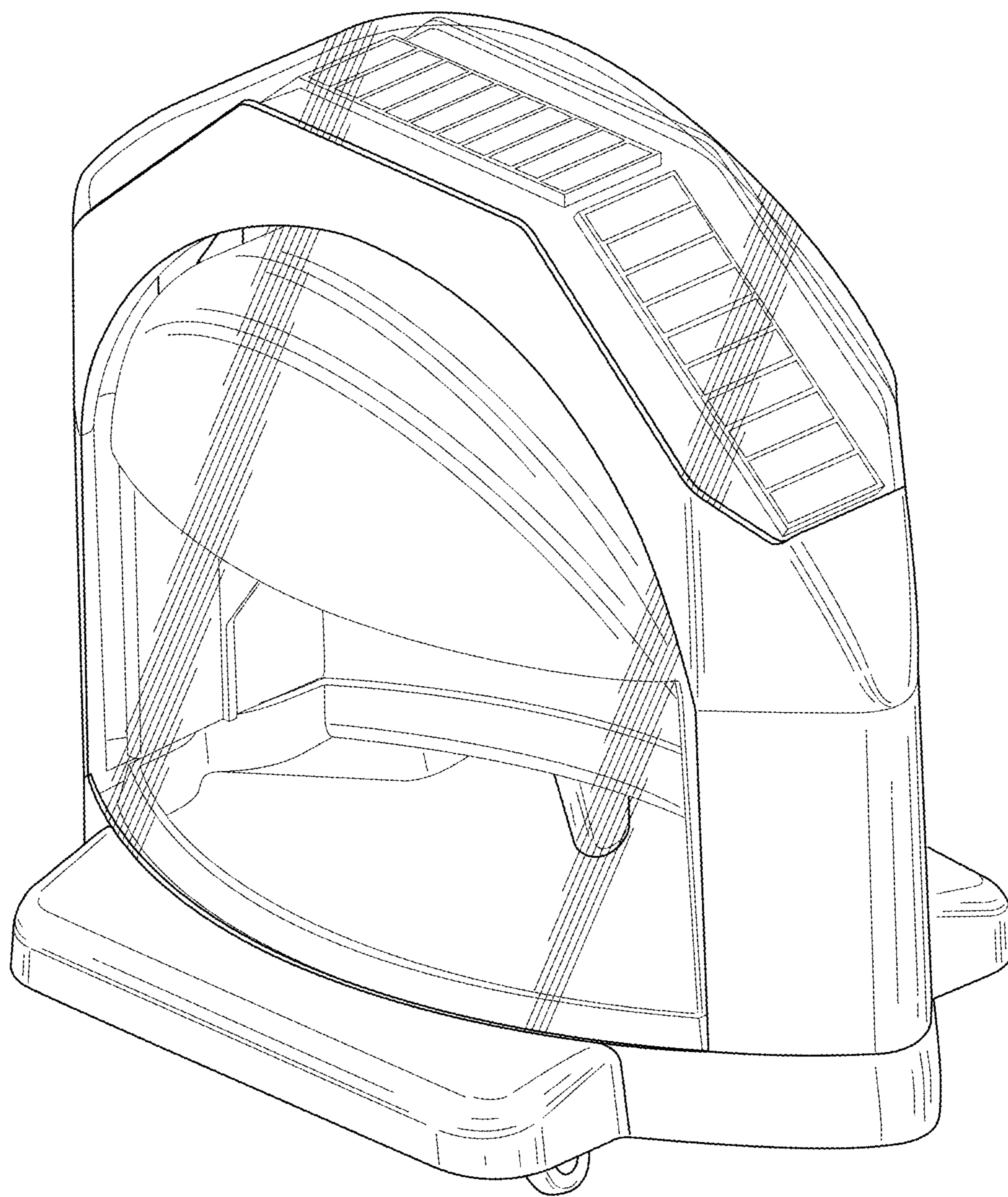


FIG. 9

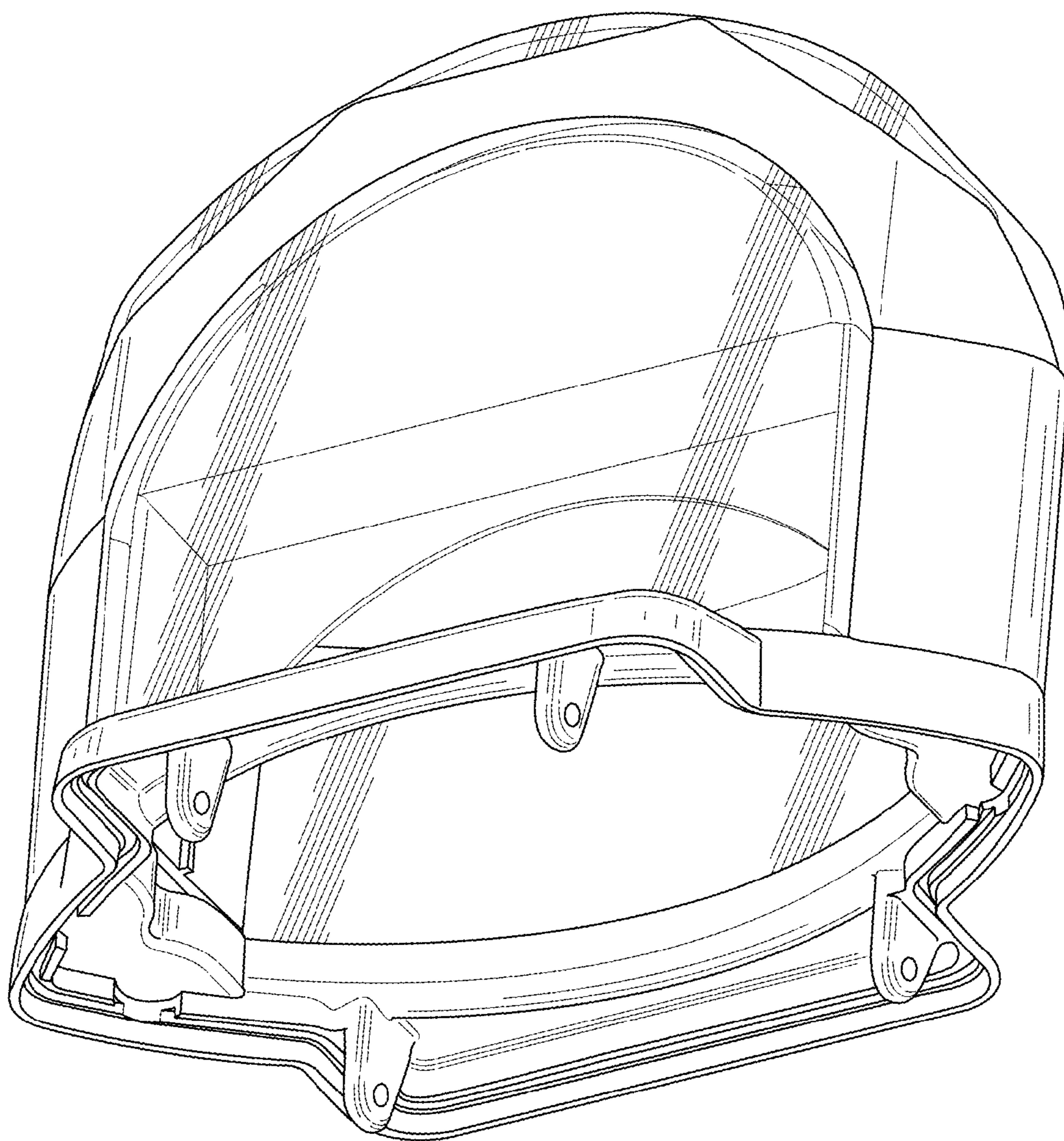


FIG. 10