



US00D747981S

(12) **United States Design Patent**
Vande Velden

(10) **Patent No.:** **US D747,981 S**
(45) **Date of Patent:** **** Jan. 26, 2016**

(54) **WATCH**

(71) Applicant: **Kelsi A. Vande Velden**, Haiku, HI (US)

(72) Inventor: **Kelsi A. Vande Velden**, Haiku, HI (US)

(**) Term: **14 Years**

(21) Appl. No.: **29/460,915**

(22) Filed: **Jul. 16, 2013**

(51) **LOC (10) Cl.** **10-02**

(52) **U.S. Cl.**

USPC **D10/31; D10/39; D10/45**

(58) **Field of Classification Search**

USPC D10/30-39, 1-29, 122-132, 45

CPC G04B 19/00; G04B 19/04; G04B 19/06;

G04B 19/10; G04B 19/18; G04B 25/00;

G04B 37/0008; G04B 37/0058; G04B 45/00;

G04B 45/0076; G04B 49/00; G04B 49/02;

G04B 49/04

See application file for complete search history.

(56) **References Cited**

U.S. PATENT DOCUMENTS

21,020	A *	7/1858	Pohle	33/270
D3,185	S *	8/1868	Wright	D10/45
1,289,837	A *	12/1918	Love	33/270
1,343,515	A *	6/1920	Madden	33/271
1,496,403	A *	6/1924	Atkinson	33/270
D144,377	S *	4/1946	Goodman	D10/45

D150,072	S *	6/1948	Klaine	D10/45
2,463,781	A *	3/1949	Lawrence	33/271
2,637,108	A *	5/1953	Viesturs	33/270
2,931,102	A *	4/1960	Thew	33/270
D253,936	S *	1/1980	Bova et al.	D10/45
D254,733	S *	4/1980	Faulkner	D11/99
D302,124	S *	7/1989	Bevins	D10/2

* cited by examiner

Primary Examiner — Martie K Holtje

(74) *Attorney, Agent, or Firm* — Perkins Coie LLP

(57) **CLAIM**

The ornamental design for the watch, as shown and described.

DESCRIPTION

FIG. 1 is an isometric view of a watch showing my new design.

FIG. 2 is a front elevational view thereof.

FIG. 3 is a rear elevational view thereof.

FIG. 4 is a right-side elevational view thereof.

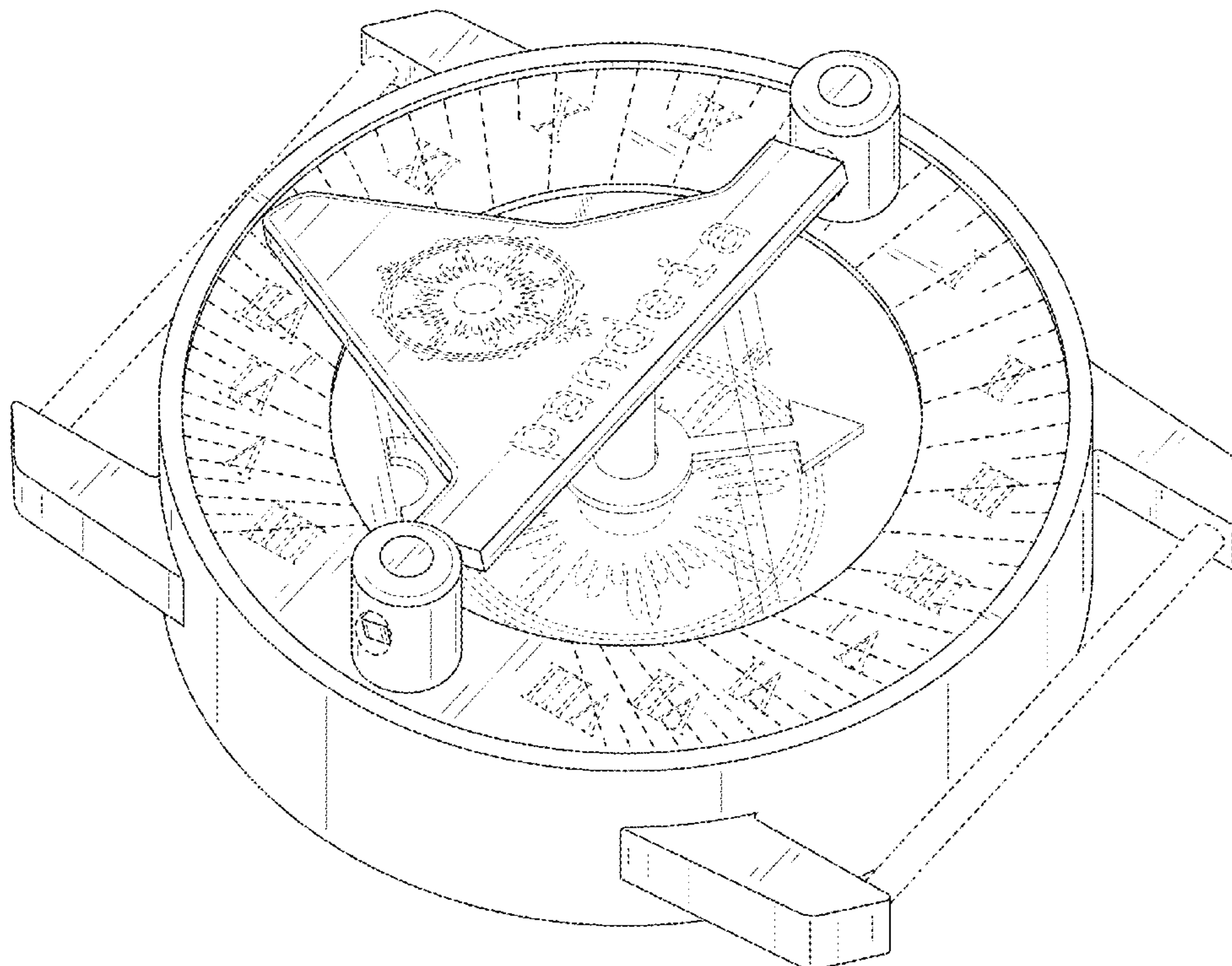
FIG. 5 is a left-side elevational view thereof.

FIG. 6 is a top plan view thereof; and,

FIG. 7 is a bottom plan view thereof.

The features depicted by broken lines have been shown for the purpose of illustrating portions of the watch that form no part of the claimed design.

1 Claim, 5 Drawing Sheets



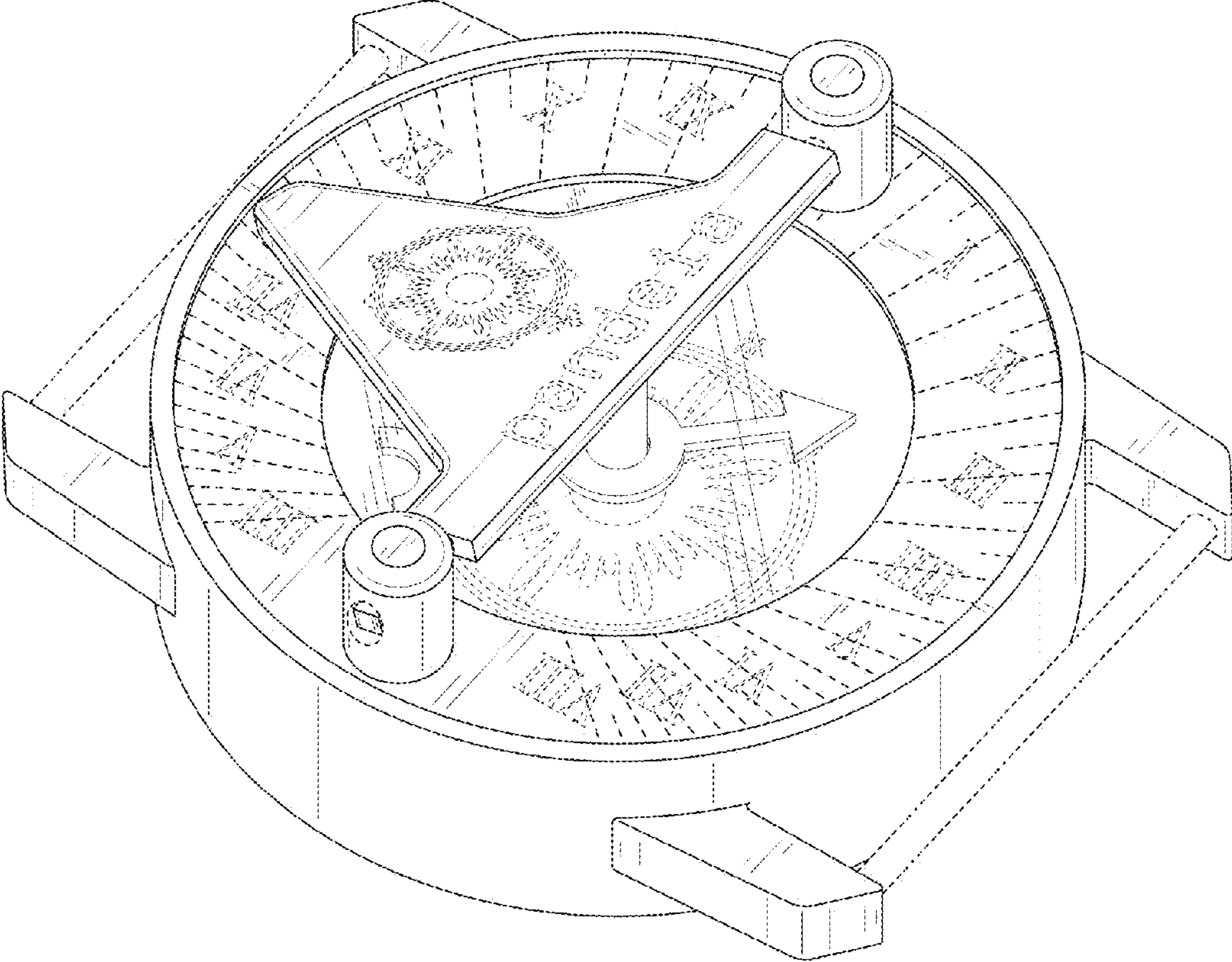


Fig. 1

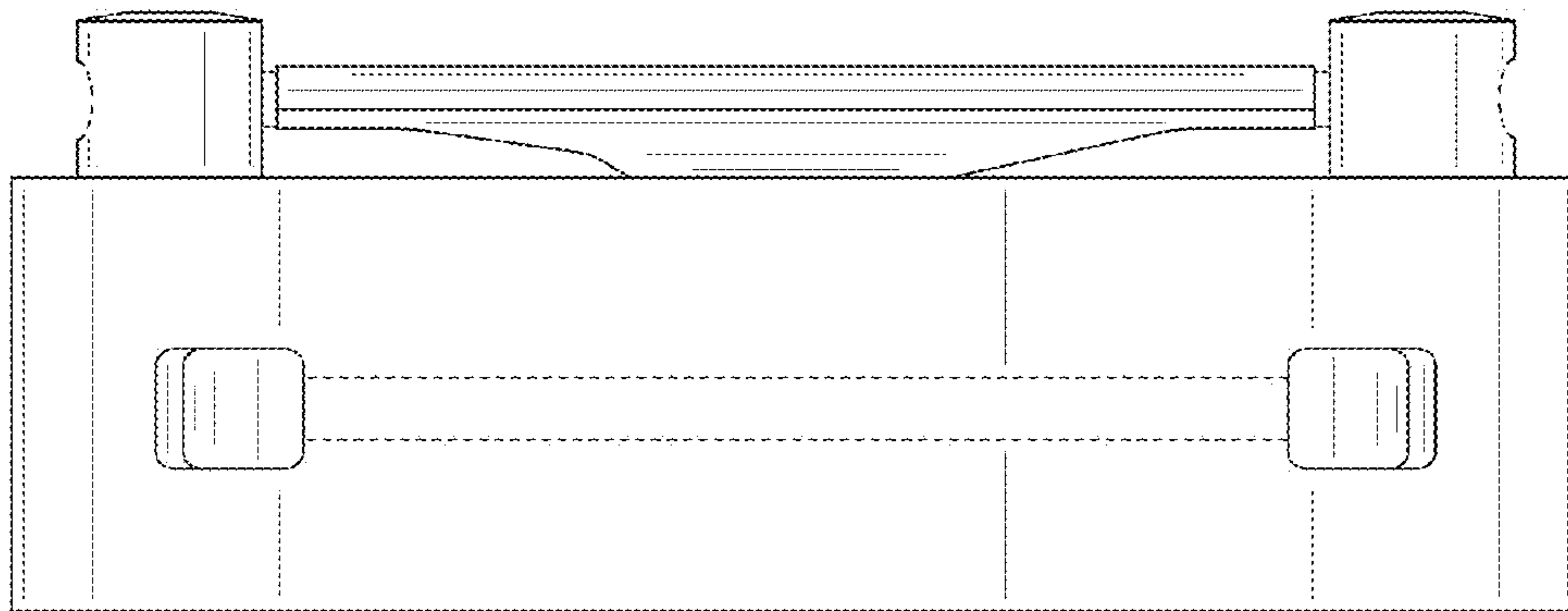


Fig. 2

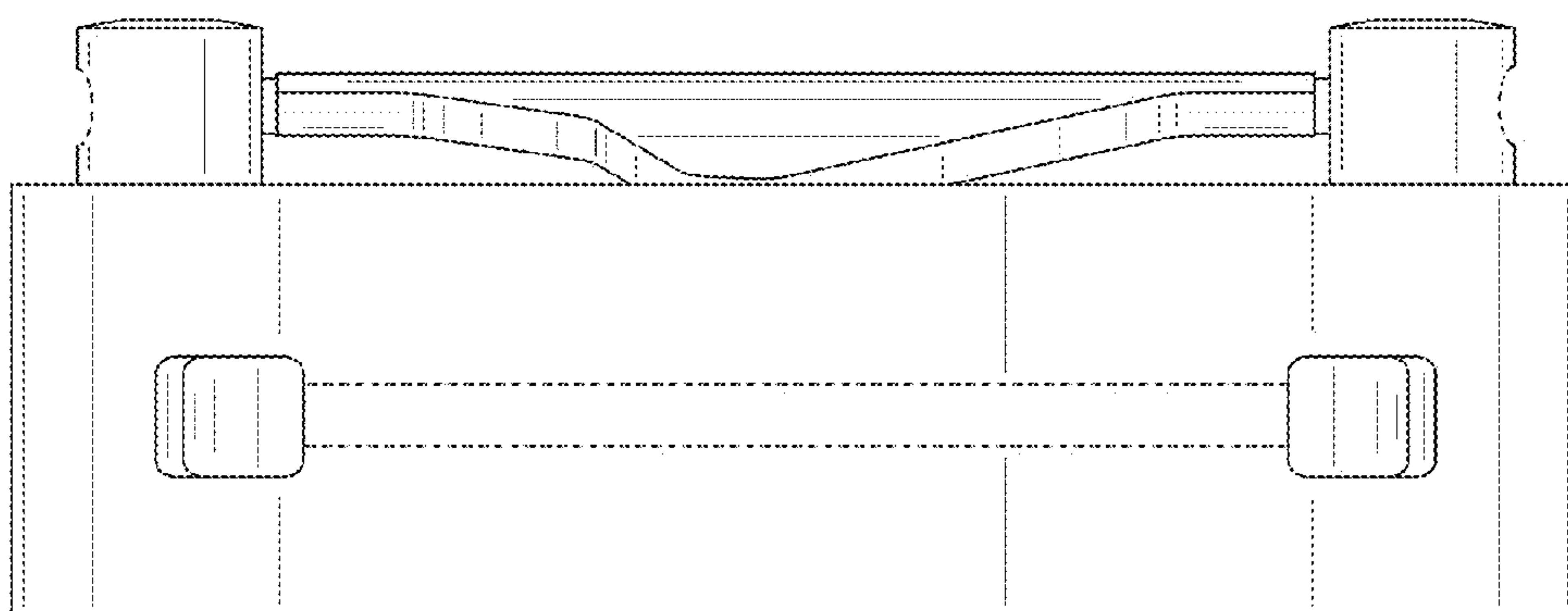


Fig. 3

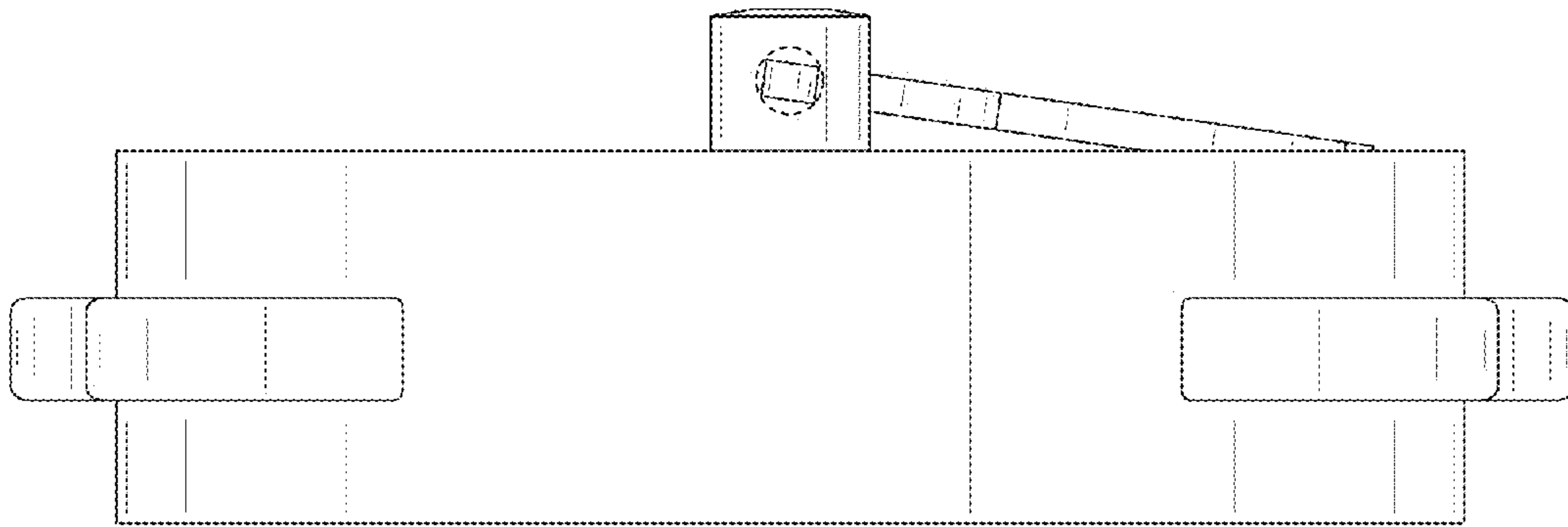


Fig. 4

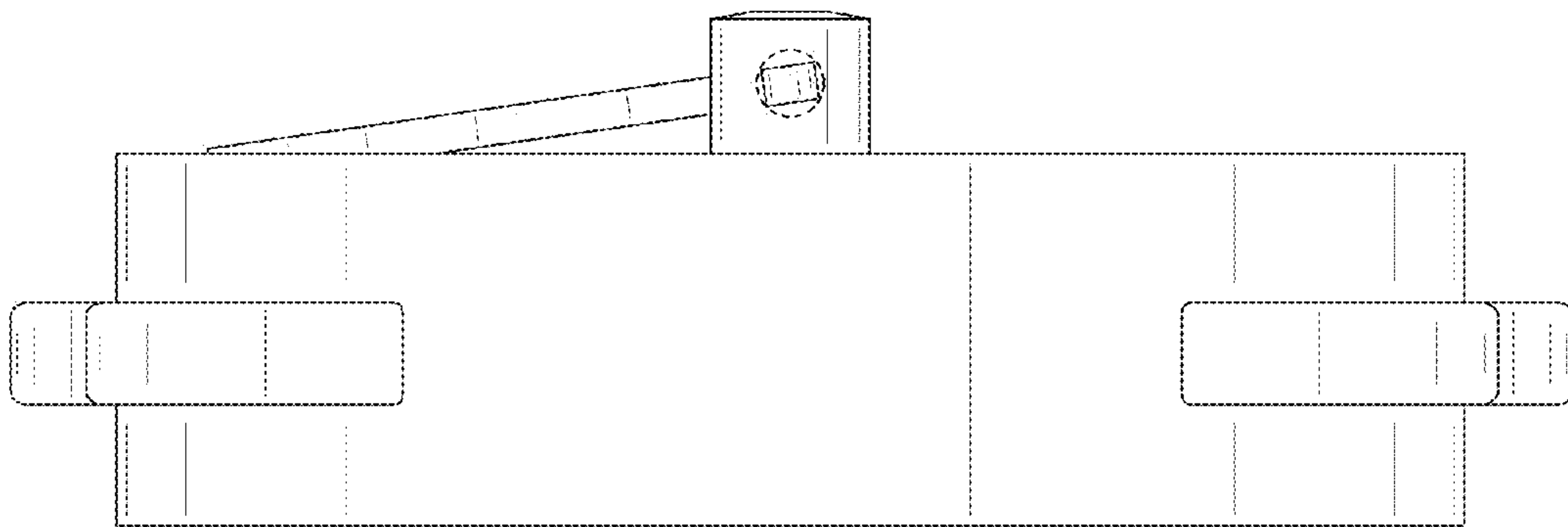


Fig. 5

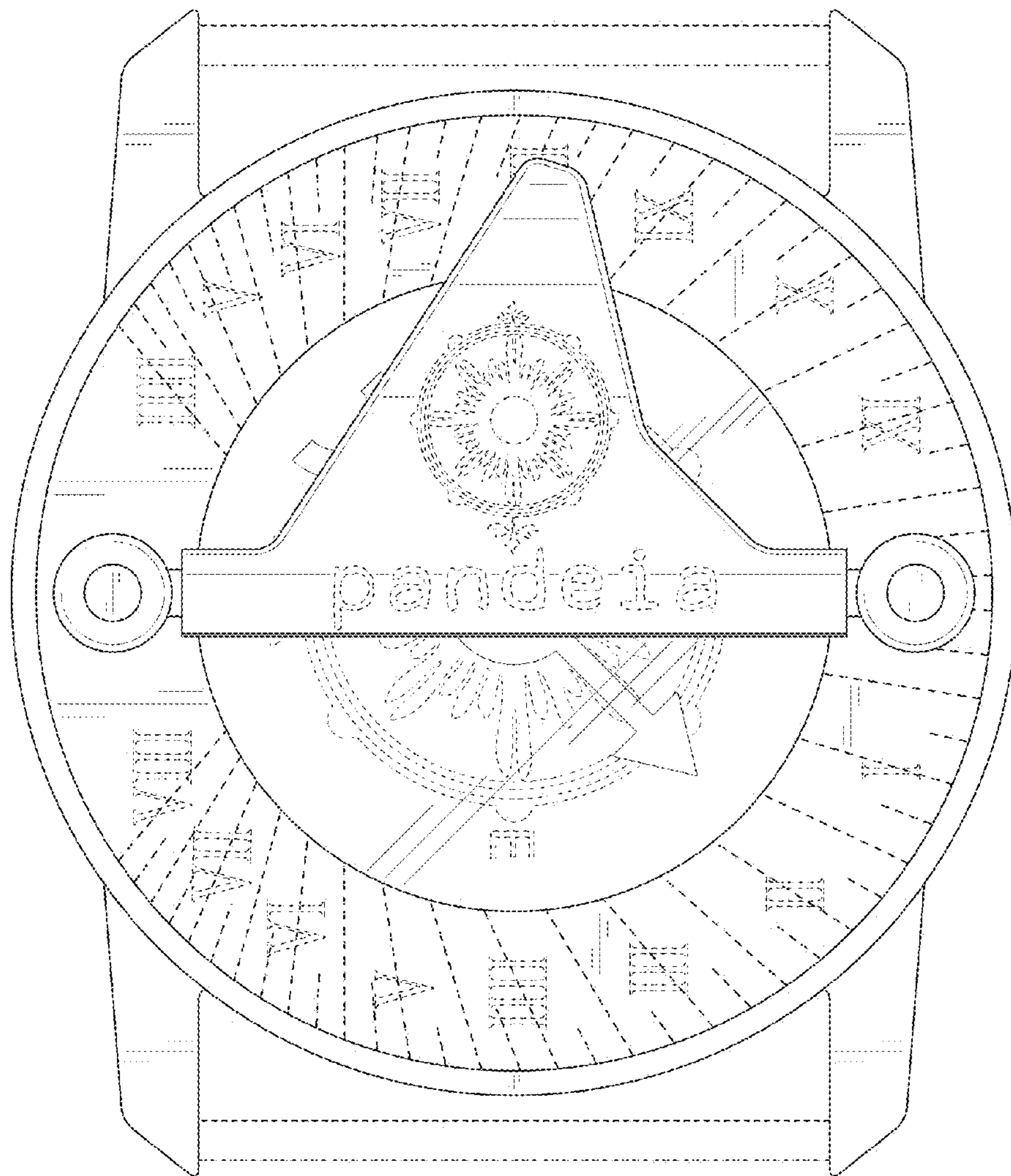


Fig. 6

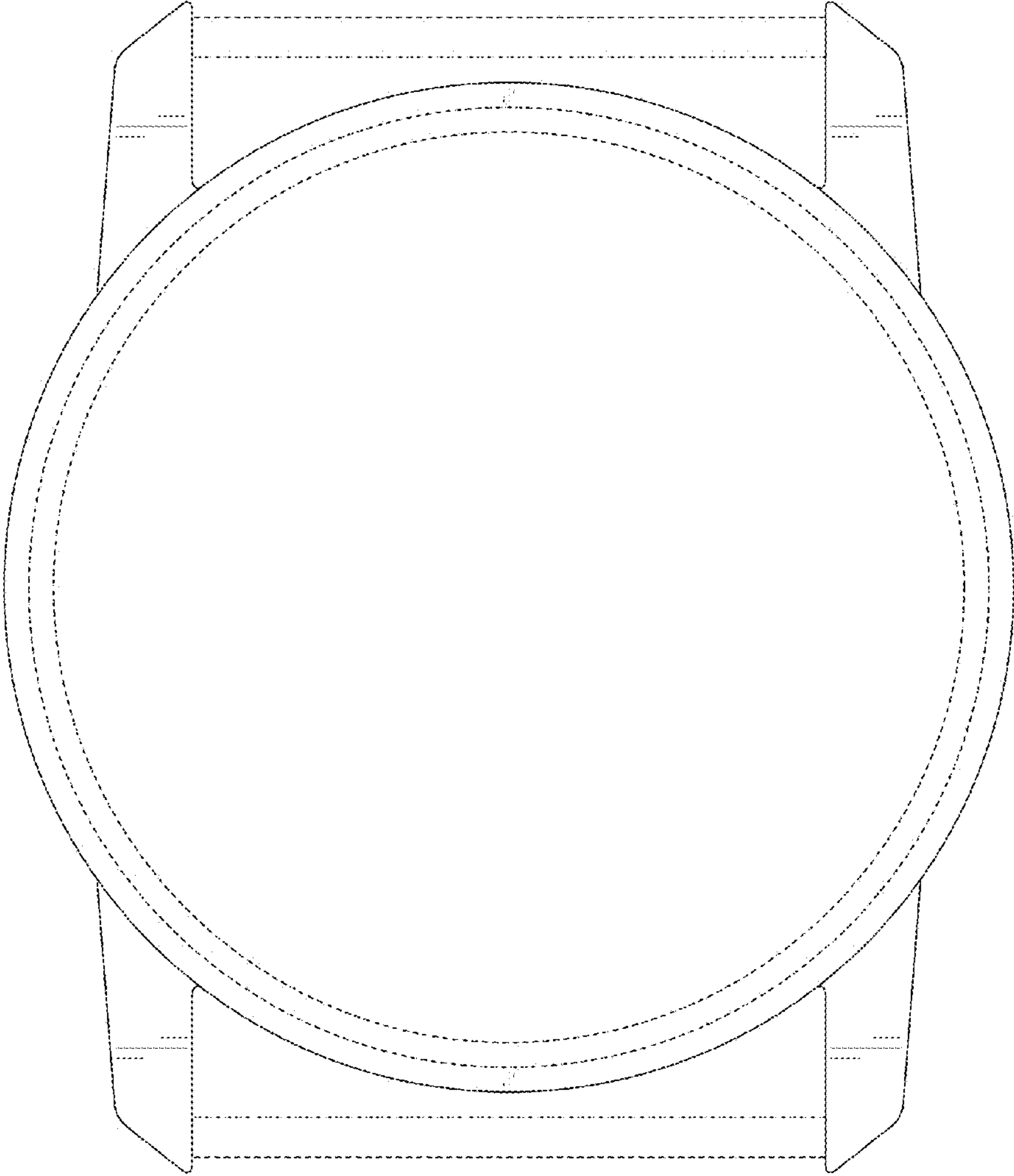


Fig. 7