



US00D747980S

(12) **United States Design Patent**
Abdourahim

(10) **Patent No.:** **US D747,980 S**
(45) **Date of Patent:** **** Jan. 26, 2016**

(54) **WATCH**

(71) Applicant: **HARRY WINSTON SA,**
Plan-les-Ouates (CH)

(72) Inventor: **Delphine Abdourahim,** Geneva (CH)

(73) Assignee: **HARRY WINSTON SA,**
Plan-les-Ouates (CH)

(**) Term: **14 Years**

(21) Appl. No.: **29/503,209**

(22) Filed: **Sep. 24, 2014**

(30) **Foreign Application Priority Data**

Mar. 24, 2014 (WO) DM/083 210

(51) **LOC (10) CL.** **10-02**

(52) **U.S. CL.**
USPC **D10/30; D10/39**

(58) **Field of Classification Search**
USPC D10/30-39, 1-29, 122-132; D11/40
CPC G04B 37/00; G04B 37/0008; G04B
37/0025; G04B 37/0058; G04B 37/1486;
G04B 45/00; G04B 45/0069; G04B 45/0076;
G04B 47/00; G04B 47/04; G04B 47/042;
G04B 47/046

See application file for complete search history.

(56) **References Cited**

U.S. PATENT DOCUMENTS

D65,310 S * 7/1924 Strasser D10/38
1,553,571 A * 9/1925 Strasser G04B 47/042
368/285
D138,099 S * 6/1944 Peyrot D10/32
D152,352 S * 1/1949 Pennino D10/32
D152,354 S * 1/1949 Pennino D10/32
D153,015 S * 3/1949 Pennino D10/32
D156,745 S * 1/1950 Kent D10/32

2,636,338 A * 4/1953 Dinstman G04B 37/0025
220/324
D250,751 S * 1/1979 Perrin D10/39
4,473,306 A * 9/1984 Lederrey G04B 47/042
368/285
4,855,972 A * 8/1989 Eiss G04B 37/1486
224/170
D339,752 S * 9/1993 Frappe D10/125
D397,945 S * 9/1998 Gruosi D10/30
D444,398 S * 7/2001 Modolo D10/39
D456,279 S * 4/2002 Von Burg D10/30
6,382,829 B1 * 5/2002 Ursula G04B 47/046
368/276
D464,893 S * 10/2002 Ellia D10/39
D474,119 S * 5/2003 Mouquet D10/18
D547,207 S * 7/2007 Goncuoglu D10/32
D643,327 S * 8/2011 Kothari D11/40

* cited by examiner

Primary Examiner — Martie K Holtje

(74) *Attorney, Agent, or Firm* — Donald J. Ranft; Kristen A. Mogavero; Collen IP

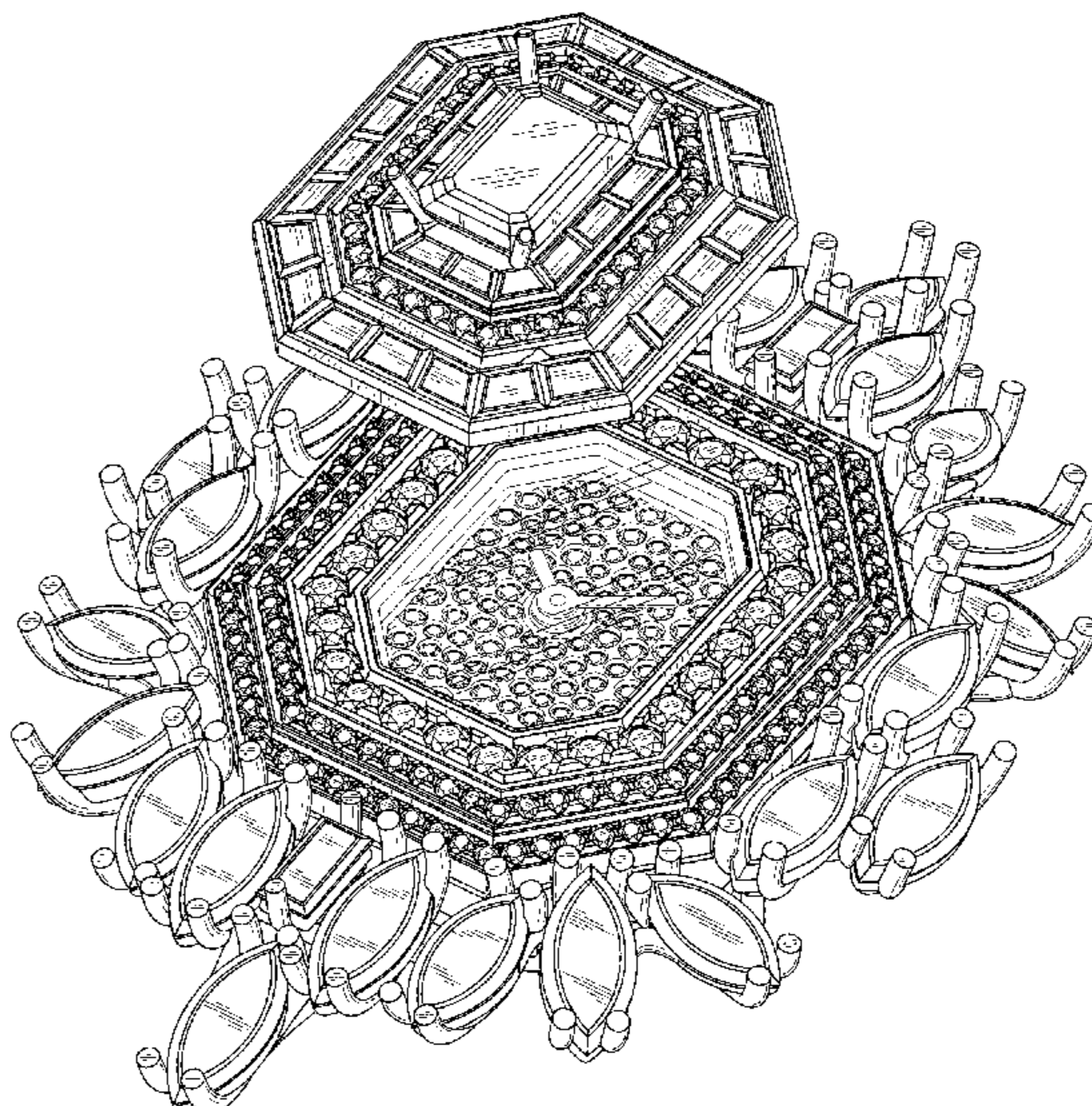
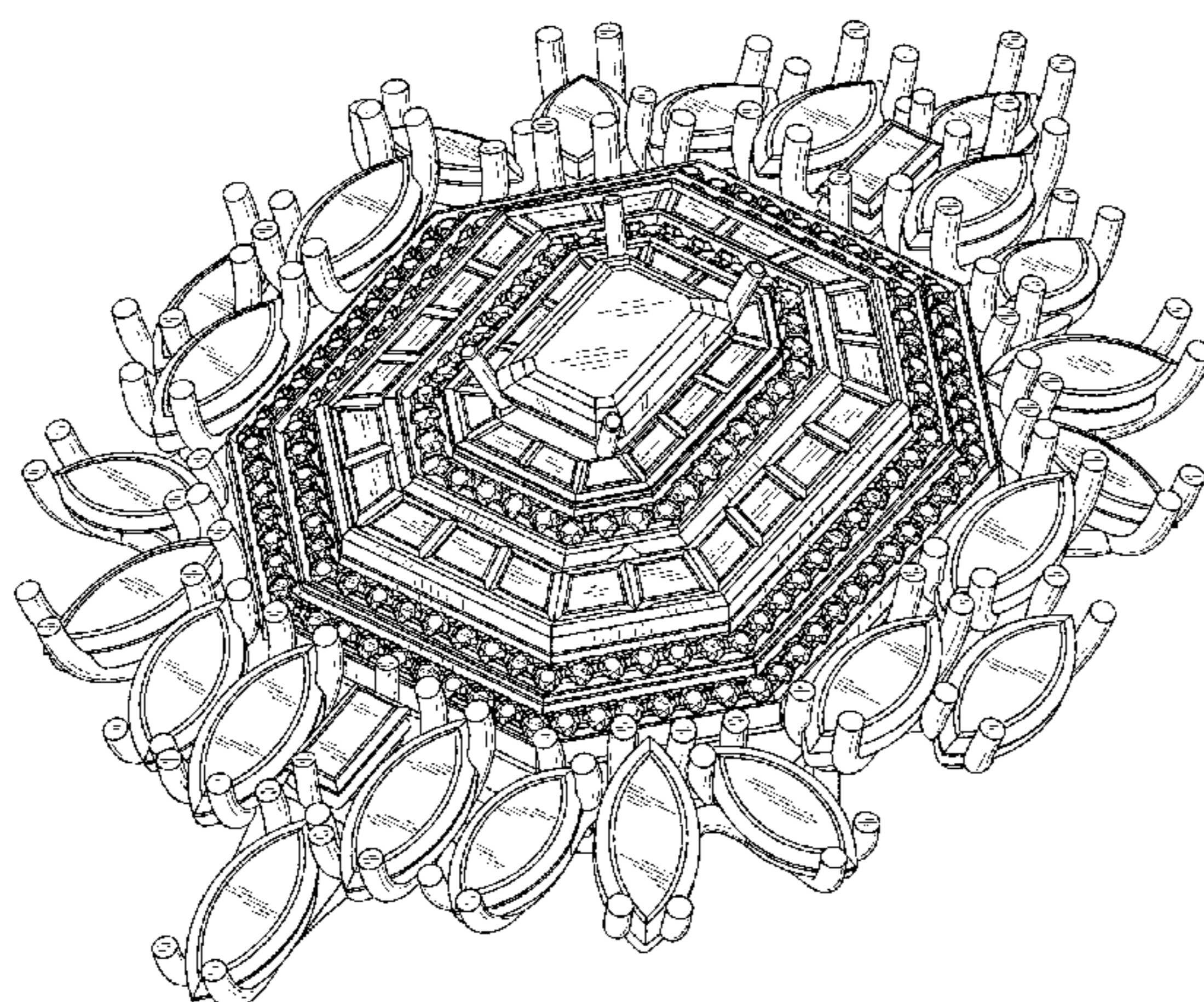
(57) **CLAIM**

The ornamental design for a watch, as shown and described.

DESCRIPTION

FIG. 1 is a right front perspective view of a watch showing my new design;
FIG. 2 is a front view thereof;
FIG. 3 is a rear view thereof;
FIG. 4 is a left side view thereof;
FIG. 5 is a right side view thereof;
FIG. 6 is a top plan view thereof;
FIG. 7 is a bottom plan view thereof;
FIG. 8 is a left rear perspective view thereof;
FIG. 9 is a right front perspective view thereof with the cover in an open position;
FIG. 10 is a front view of FIG. 9;
FIG. 11 is a left side view of FIG. 9; and,
FIG. 12 is a right side view of FIG. 9.

1 Claim, 9 Drawing Sheets



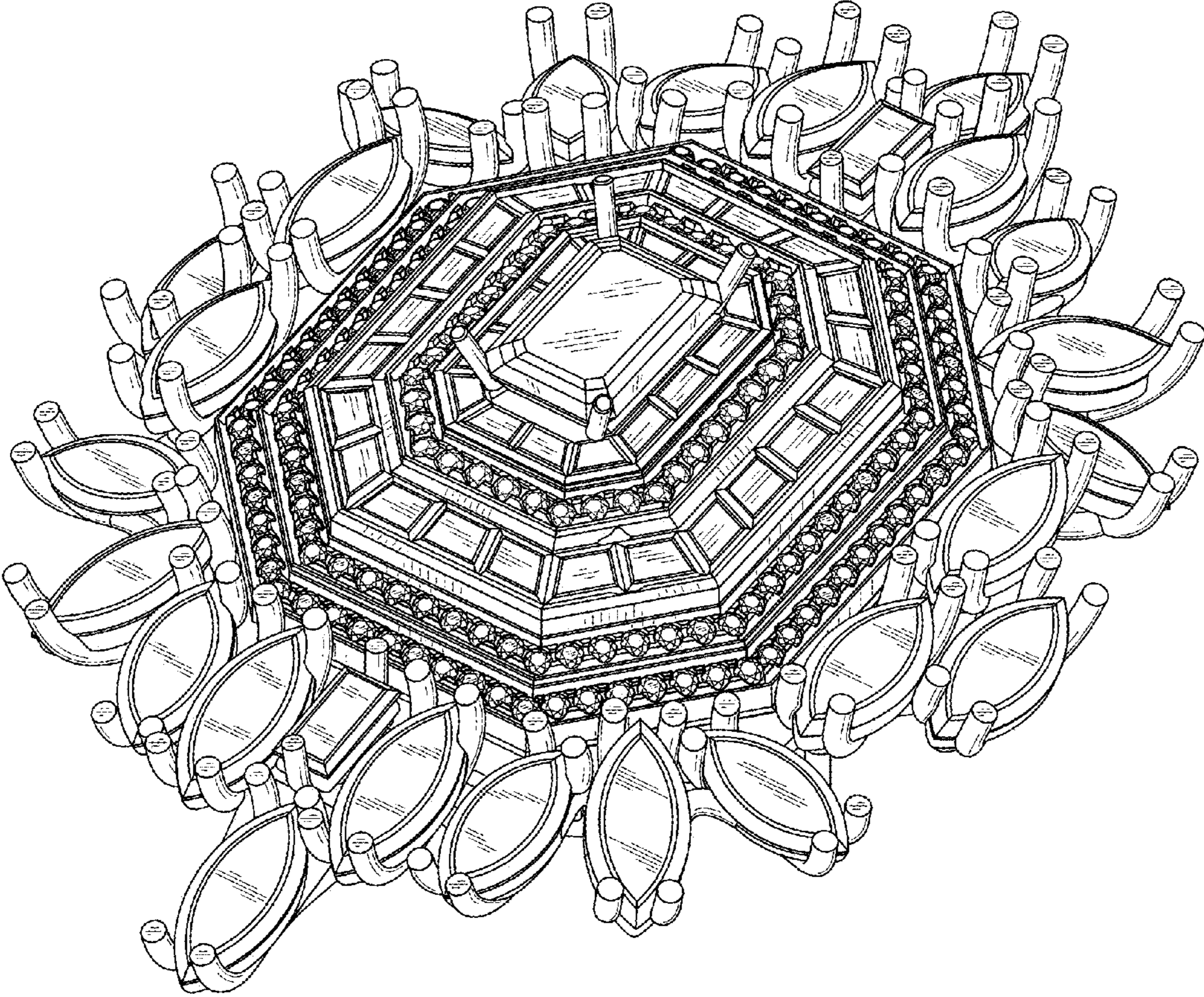


FIG. 1

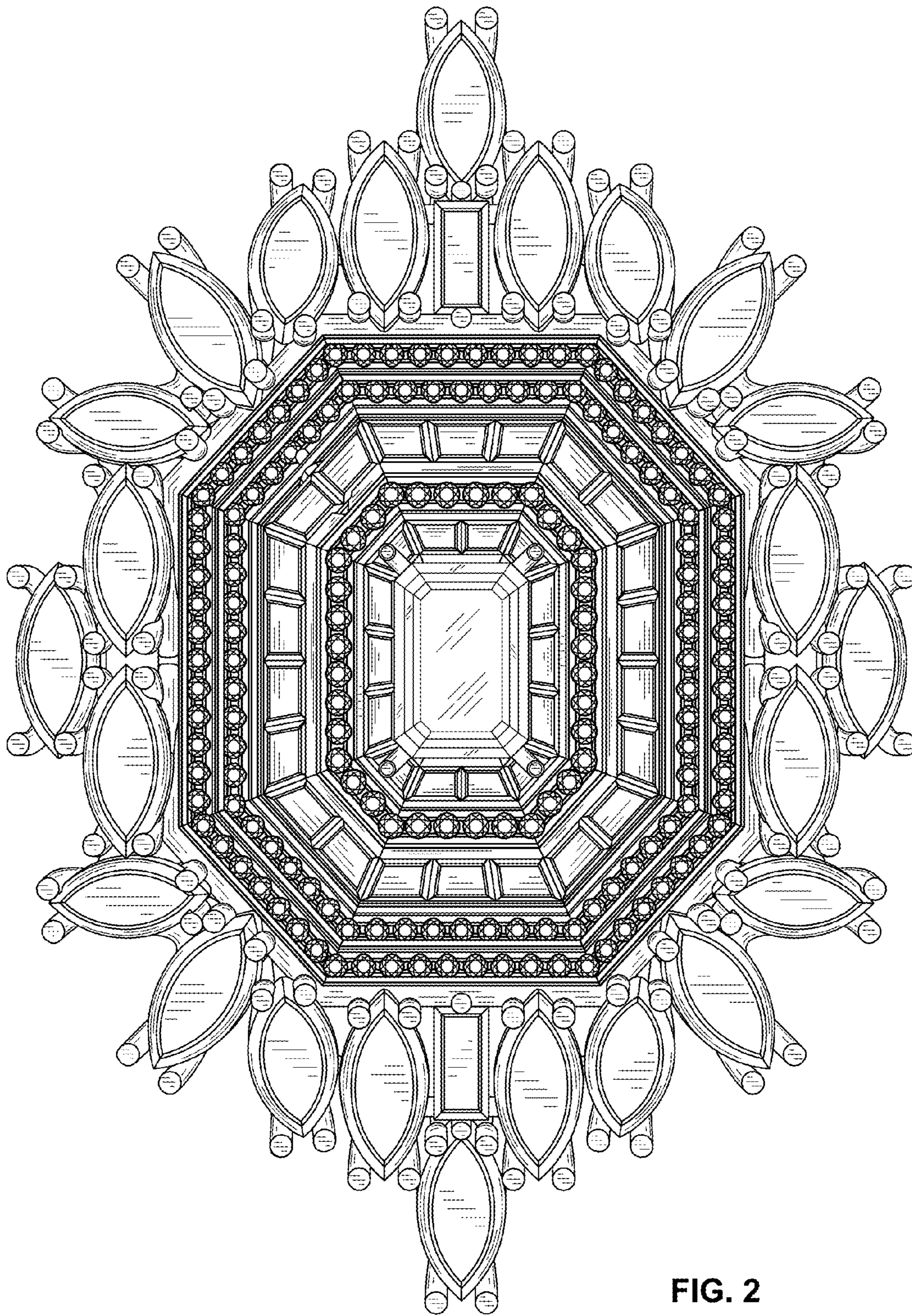


FIG. 2

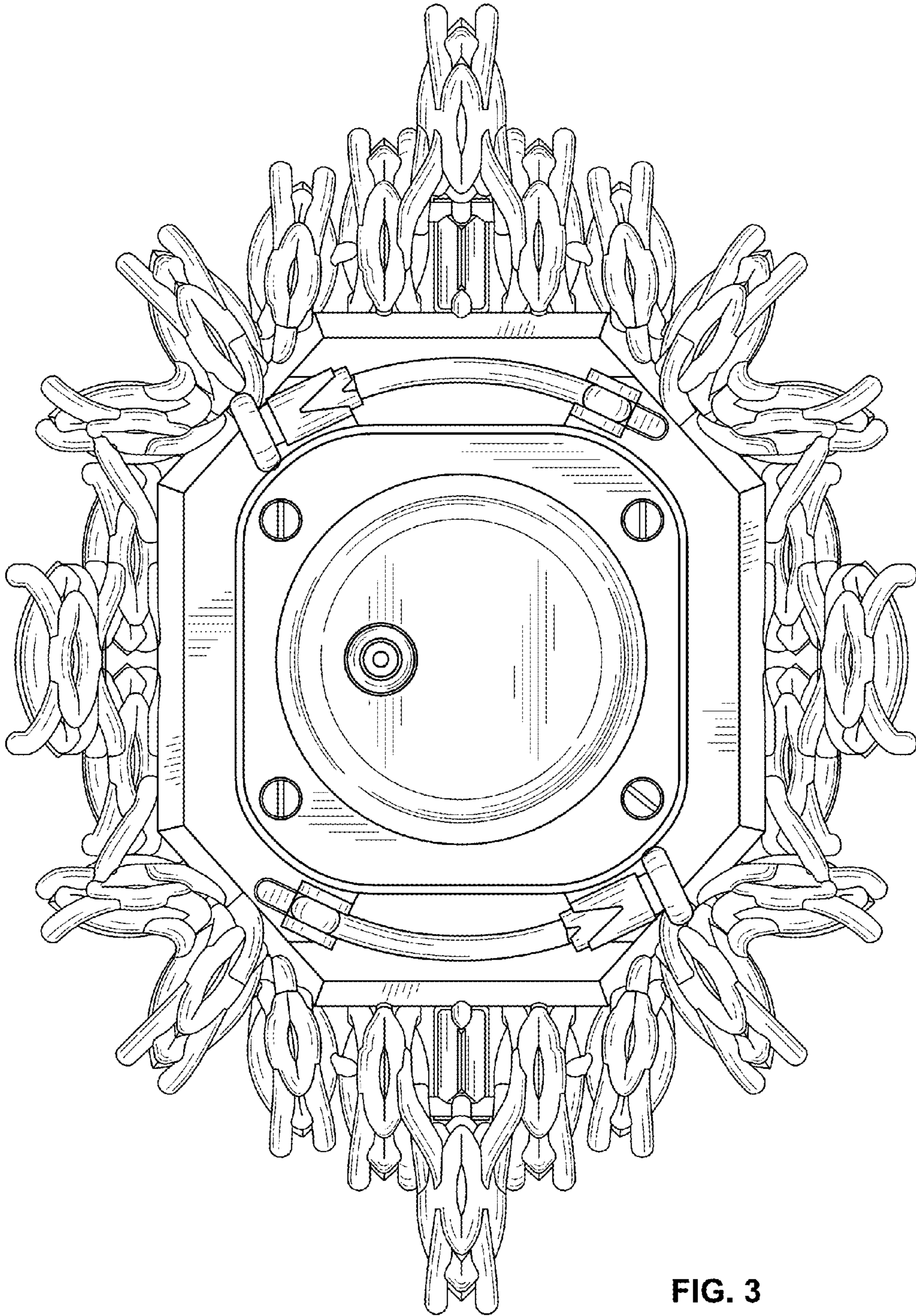


FIG. 3

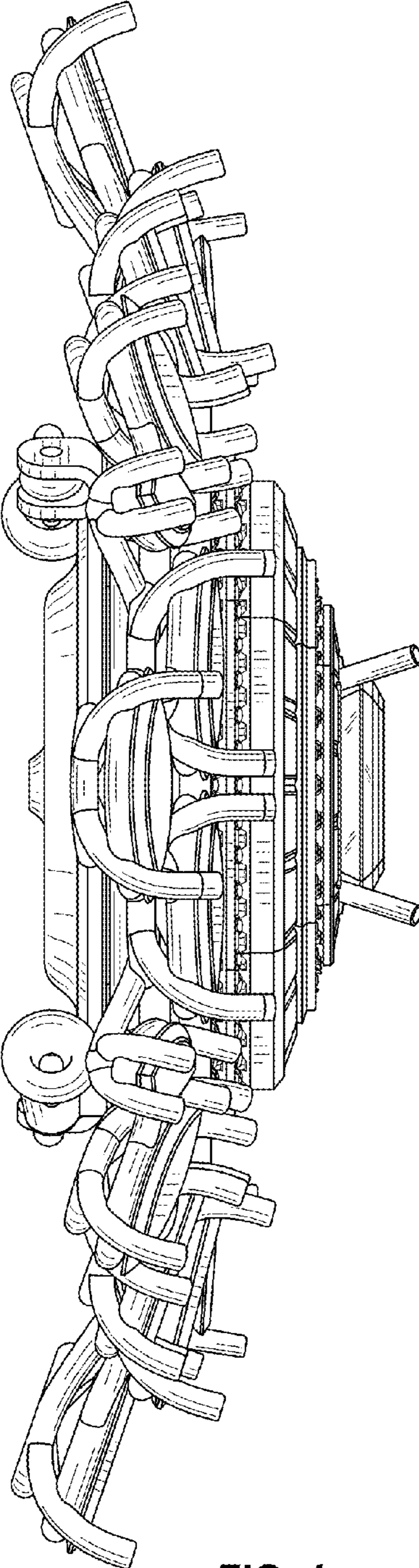


FIG. 4

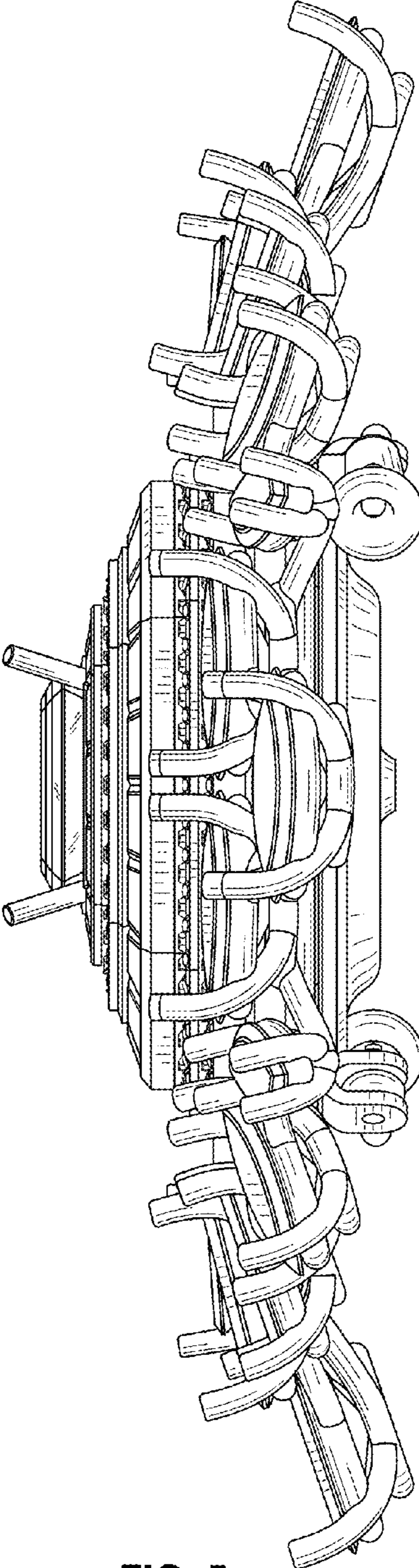


FIG. 5

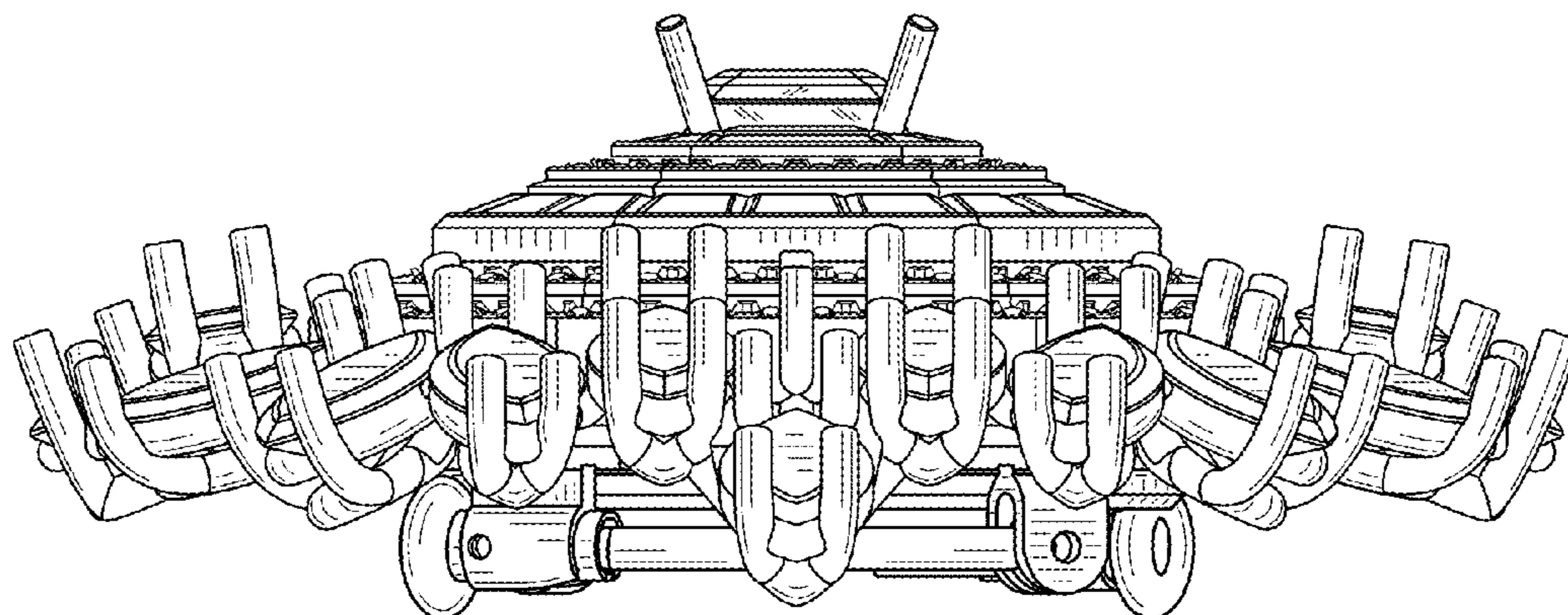


FIG. 6

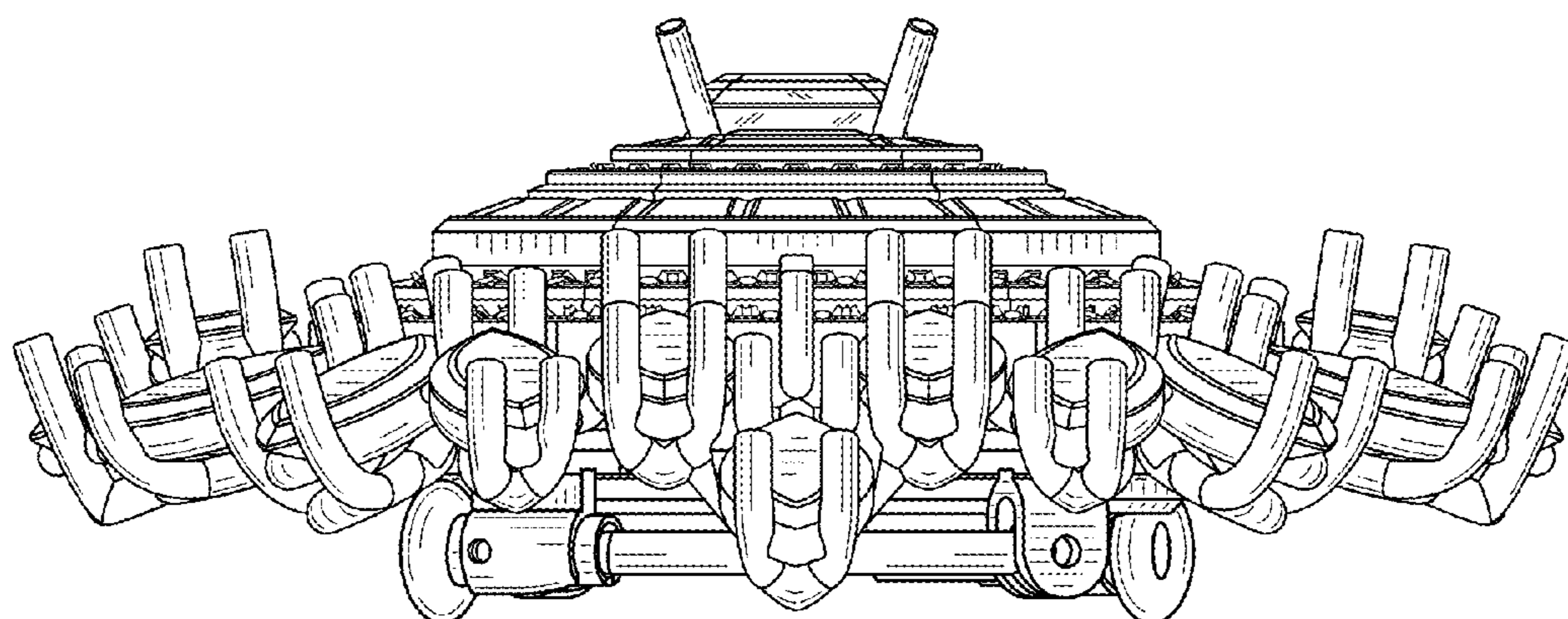


FIG. 7

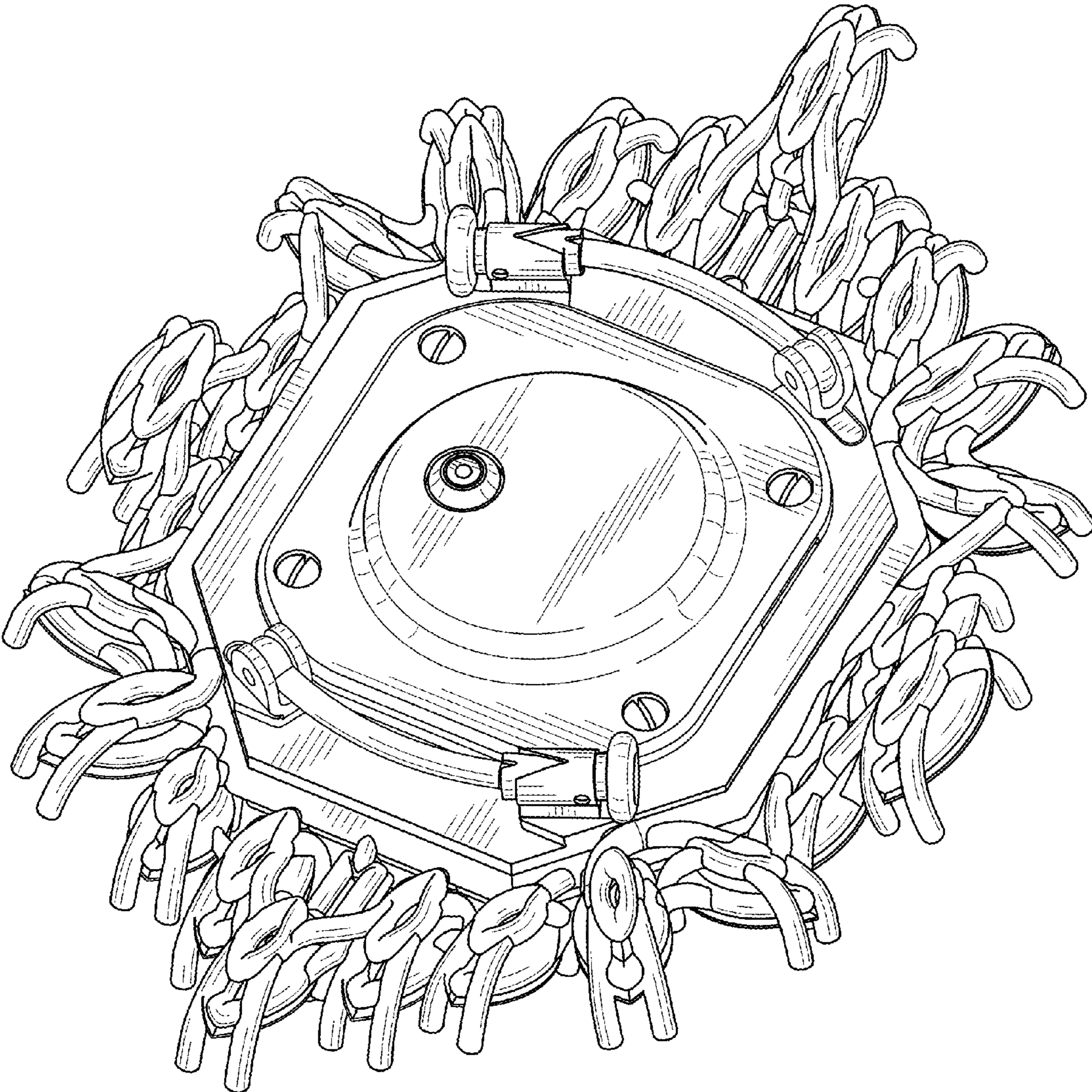


FIG. 8

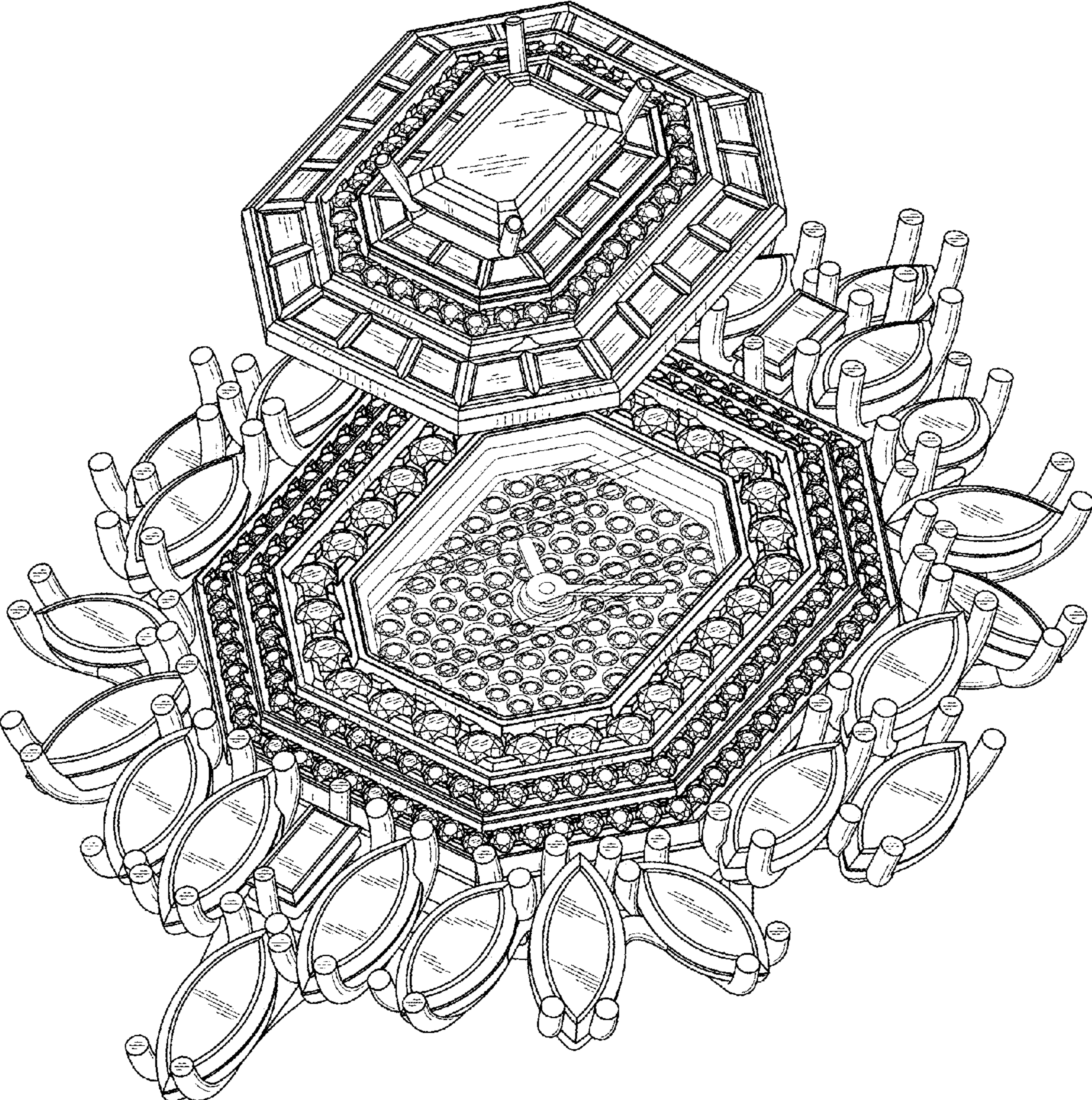


FIG. 9

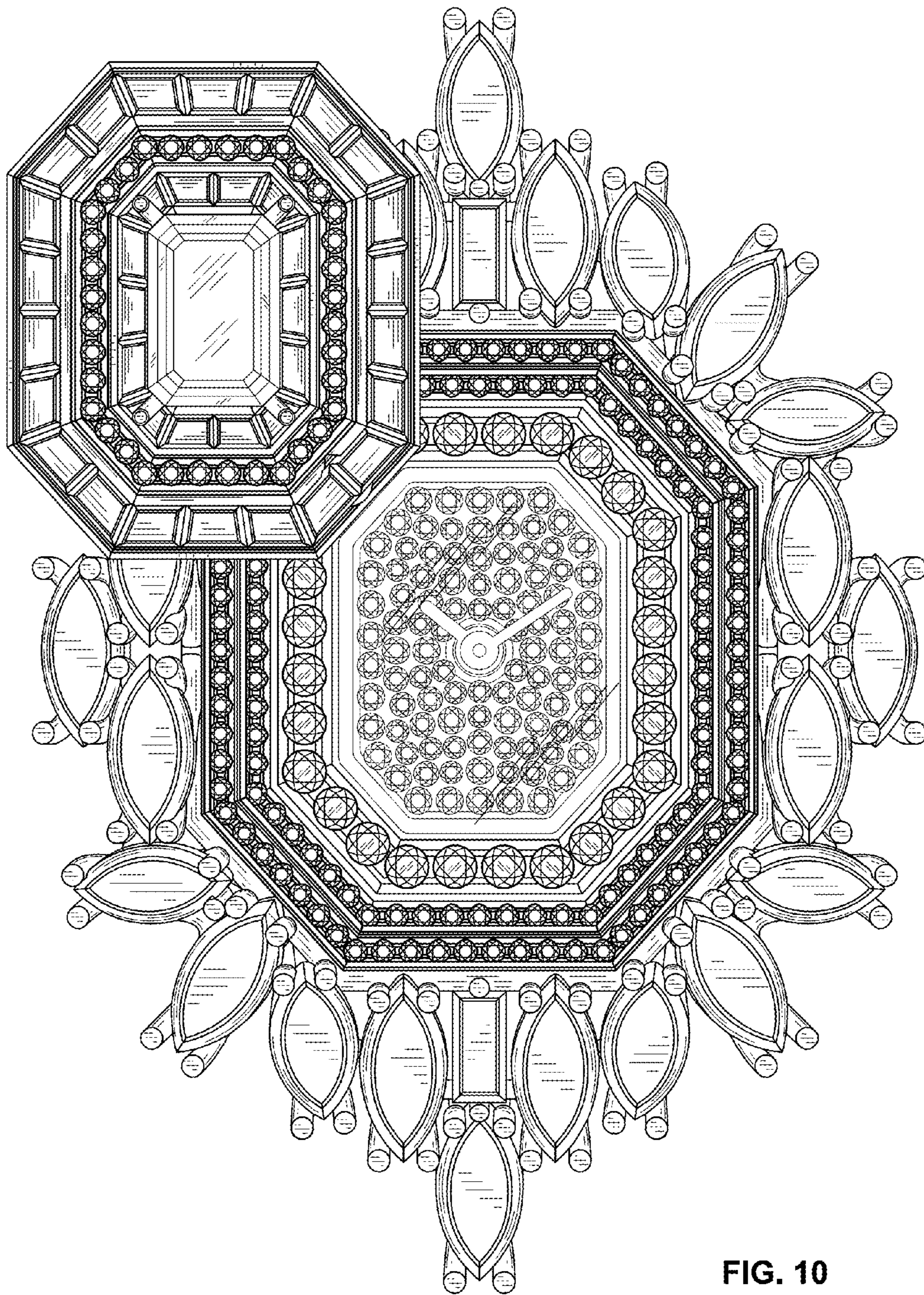


FIG. 10

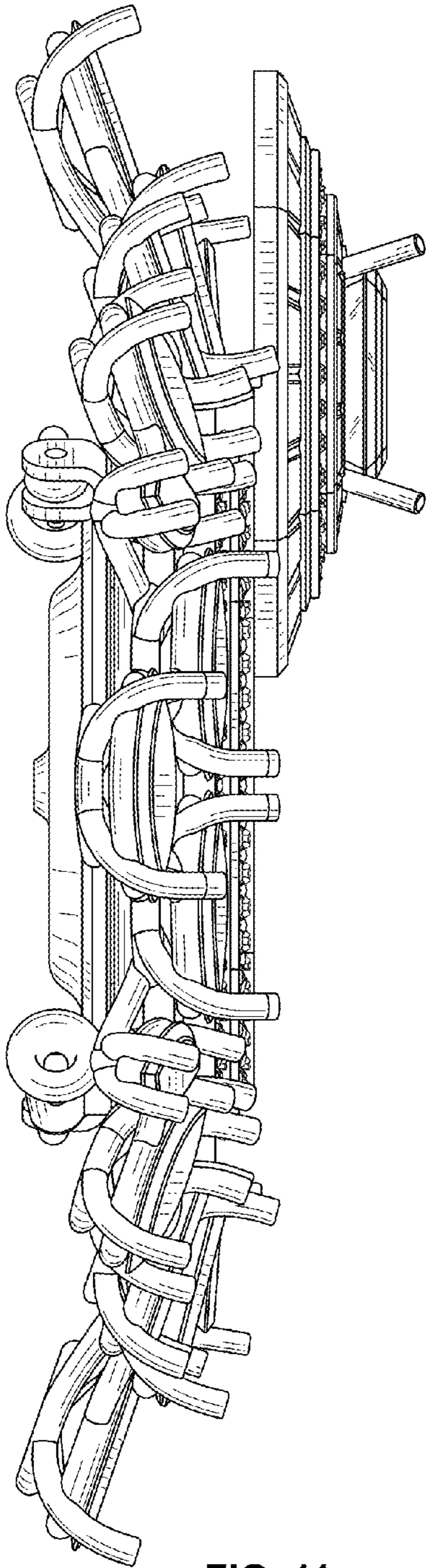


FIG. 11

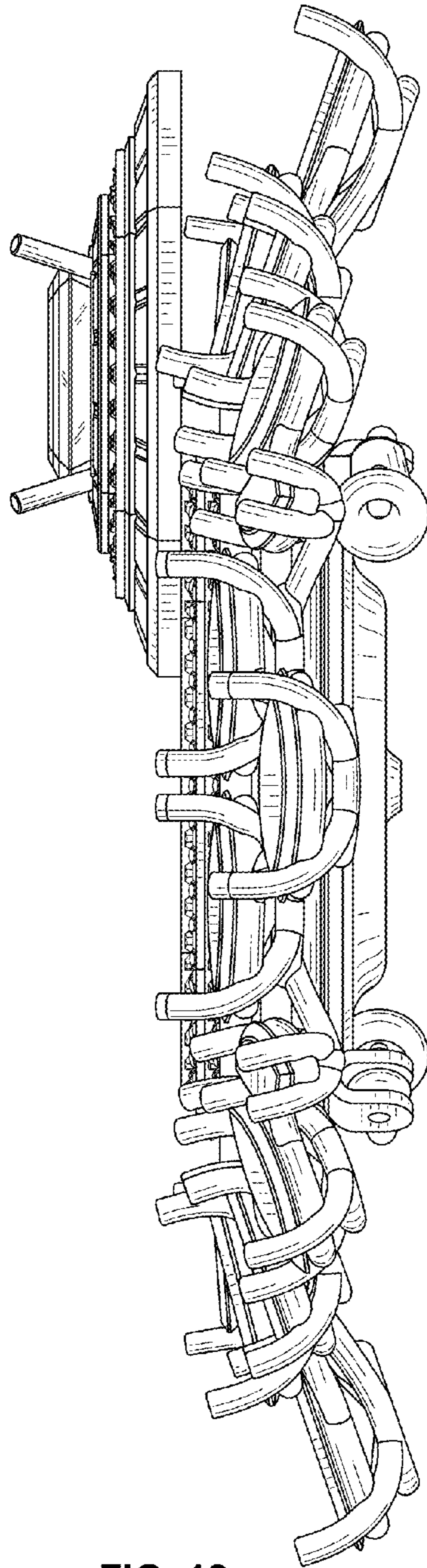


FIG. 12