



US00D747978S

(12) **United States Design Patent**
Babcock et al.

(10) **Patent No.:** **US D747,978 S**
(45) **Date of Patent:** **** Jan. 26, 2016**

(54) **WATCH**

FOREIGN PATENT DOCUMENTS

- (71) Applicant: **Nixon Inc.**, Encinitas, CA (US)
- (72) Inventors: **Joseph Babcock**, Encinitas, CA (US);
Tyson White, Encinitas, CA (US)
- (**) Term: **14 Years**
- (21) Appl. No.: **29/498,273**
- (22) Filed: **Aug. 1, 2014**
- (51) **LOC (10) Cl.** **10-02**
- (52) **U.S. Cl.**
USPC **D10/30; D10/38**
- (58) **Field of Classification Search**
USPC **D10/30-39, 1-29, 122-132**
CPC **G04B 19/00; G04B 19/046; G04B 19/065;**
G04B 37/00; G04B 37/0008; G04B 37/0058;
G04B 45/00; G04B 45/0069
See application file for complete search history.

JP	D1507170	9/2014
JP	D1507175	9/2014
JP	D1520070	3/2015
JP	D1521561	4/2015
JP	D1521995	4/2015
JP	D1522013	4/2015
JP	D1523095	5/2015
JP	D1529744	7/2015

* cited by examiner

Primary Examiner — Martie K Holtje
(74) *Attorney, Agent, or Firm* — Cooley

(57) **CLAIM**
The ornamental design for a watch, as shown and described.

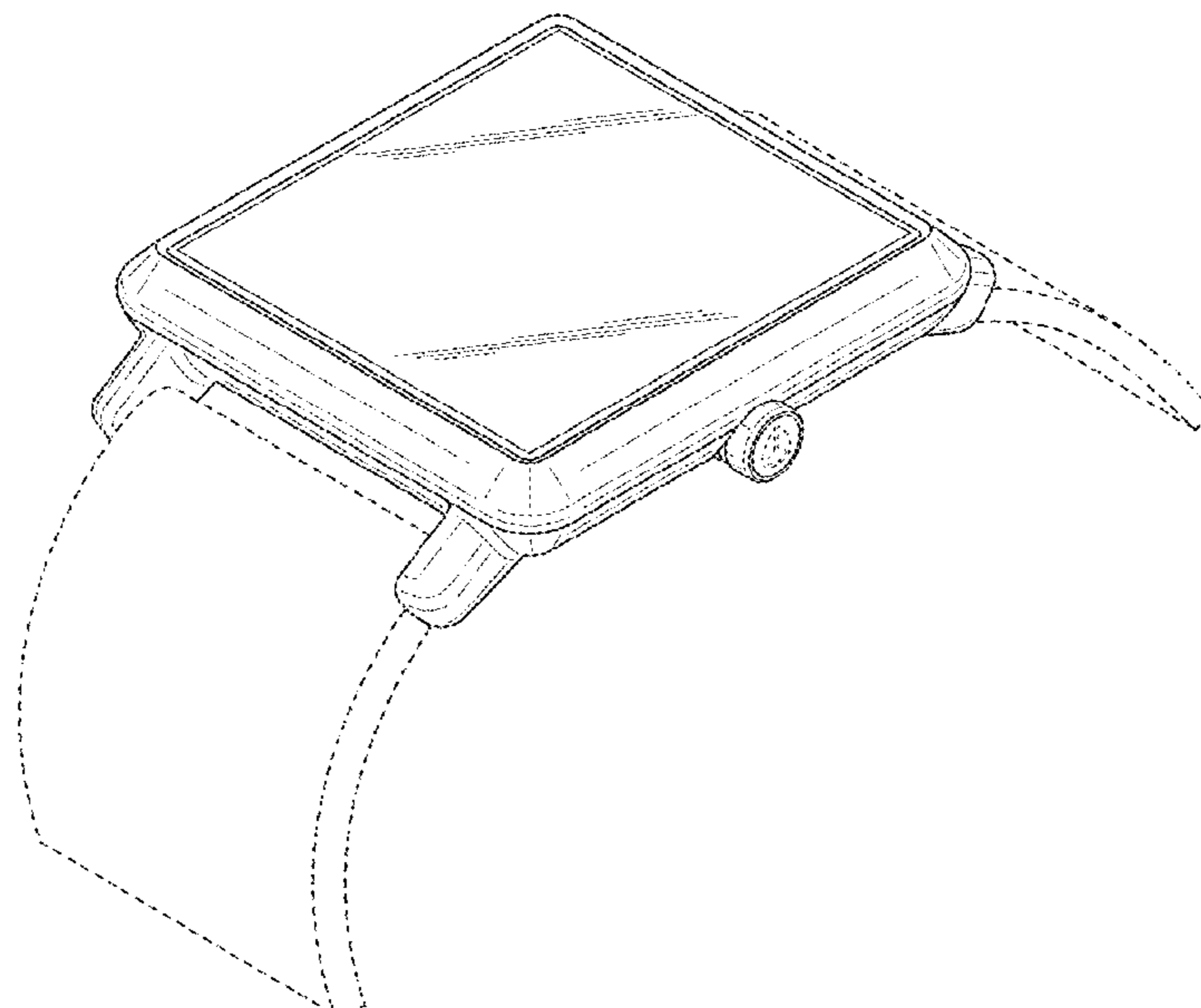
DESCRIPTION

FIG. 1 is a right front perspective view of a watch showing my new design;
 FIG. 2 is a right rear perspective view thereof;
 FIG. 3 is a front elevational view thereof;
 FIG. 4 is a rear elevational view thereof;
 FIG. 5 is a left side elevational view thereof;
 FIG. 6 is a right side elevational view thereof;
 FIG. 7 is a top plan view thereof;
 FIG. 8 is a bottom plan view thereof;
 FIG. 9 is a second right front perspective view thereof; and,
 FIG. 10 is a second front elevational view thereof.
 The features depicted by broken lines in the figures have been shown for the purpose of illustrating portions of the watch that form no part of the claimed design.
 The strap portions depicted by broken lines have been shown for the purpose of illustrating environment that forms no part of the claimed design.

(56) **References Cited**
U.S. PATENT DOCUMENTS

2,467,050	A *	4/1949	Piquerez	G04B 19/065	368/294
2,852,908	A *	9/1958	Stern	G04B 45/046	368/234
3,269,108	A *	8/1966	Mottironi	G04B 19/065	368/281
D240,605	S *	7/1976	Sticker	D10/38	
D462,909	S *	9/2002	Cattin	D10/39	
D473,802	S *	4/2003	Berliat	D10/39	
D519,853	S *	5/2006	Sirmakes	D10/32	
D588,945	S *	3/2009	Arabo	D10/39	
D613,621	S *	4/2010	Jorst	D10/39	
D638,312	S *	5/2011	Jacobs	D10/32	
D652,327	S *	1/2012	Bodino	D10/38	

1 Claim, 9 Drawing Sheets



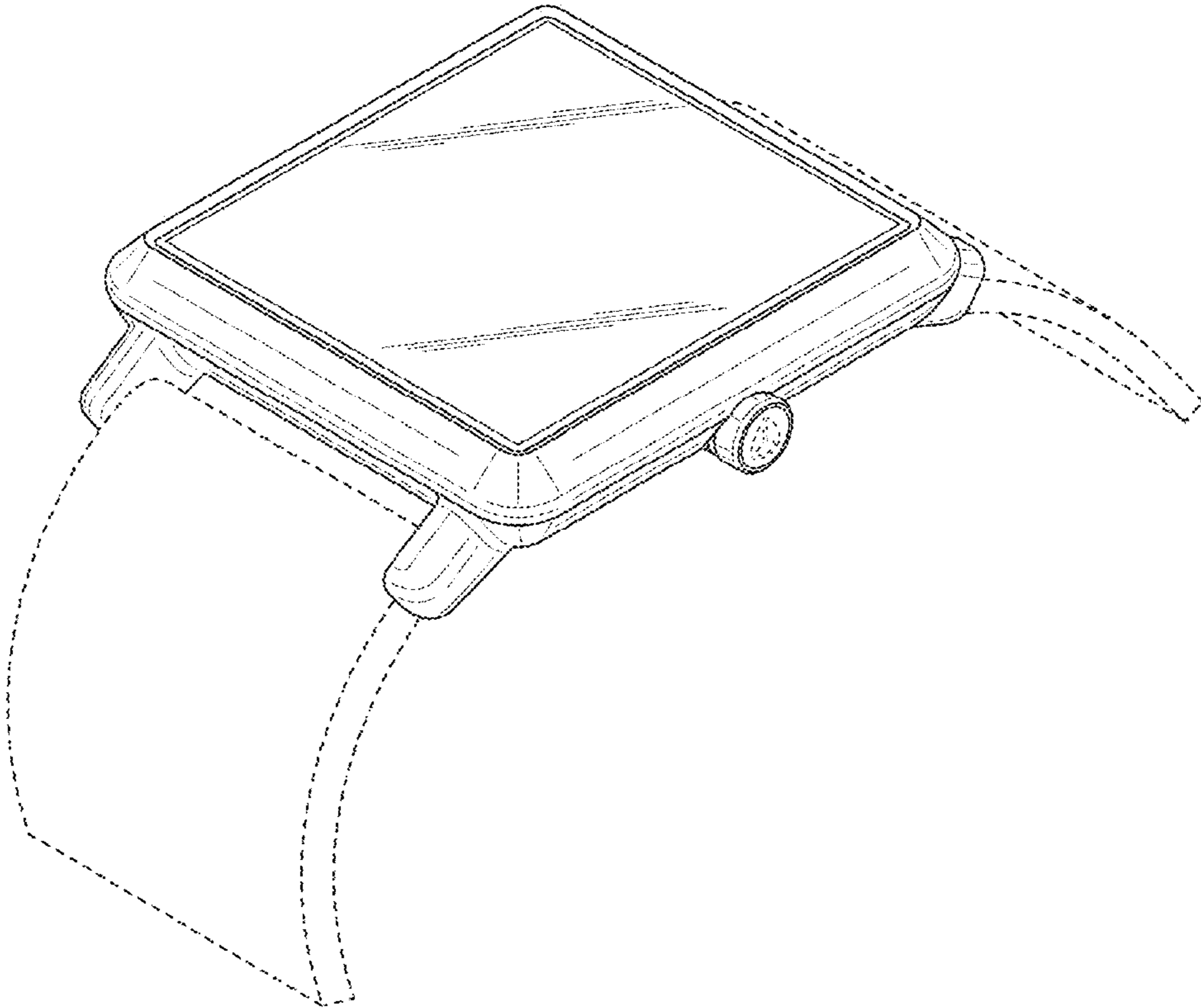


FIG.1

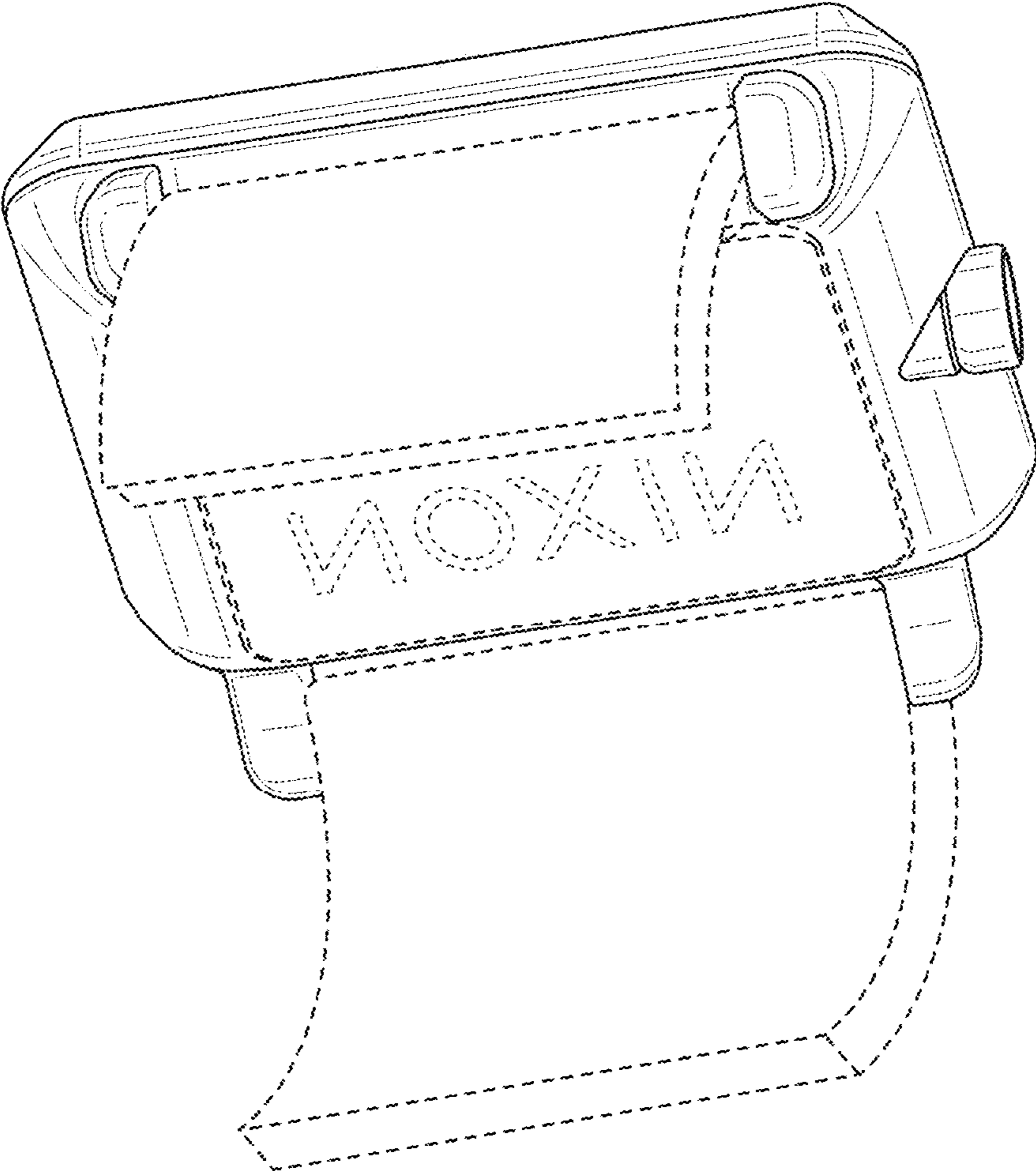


FIG.2

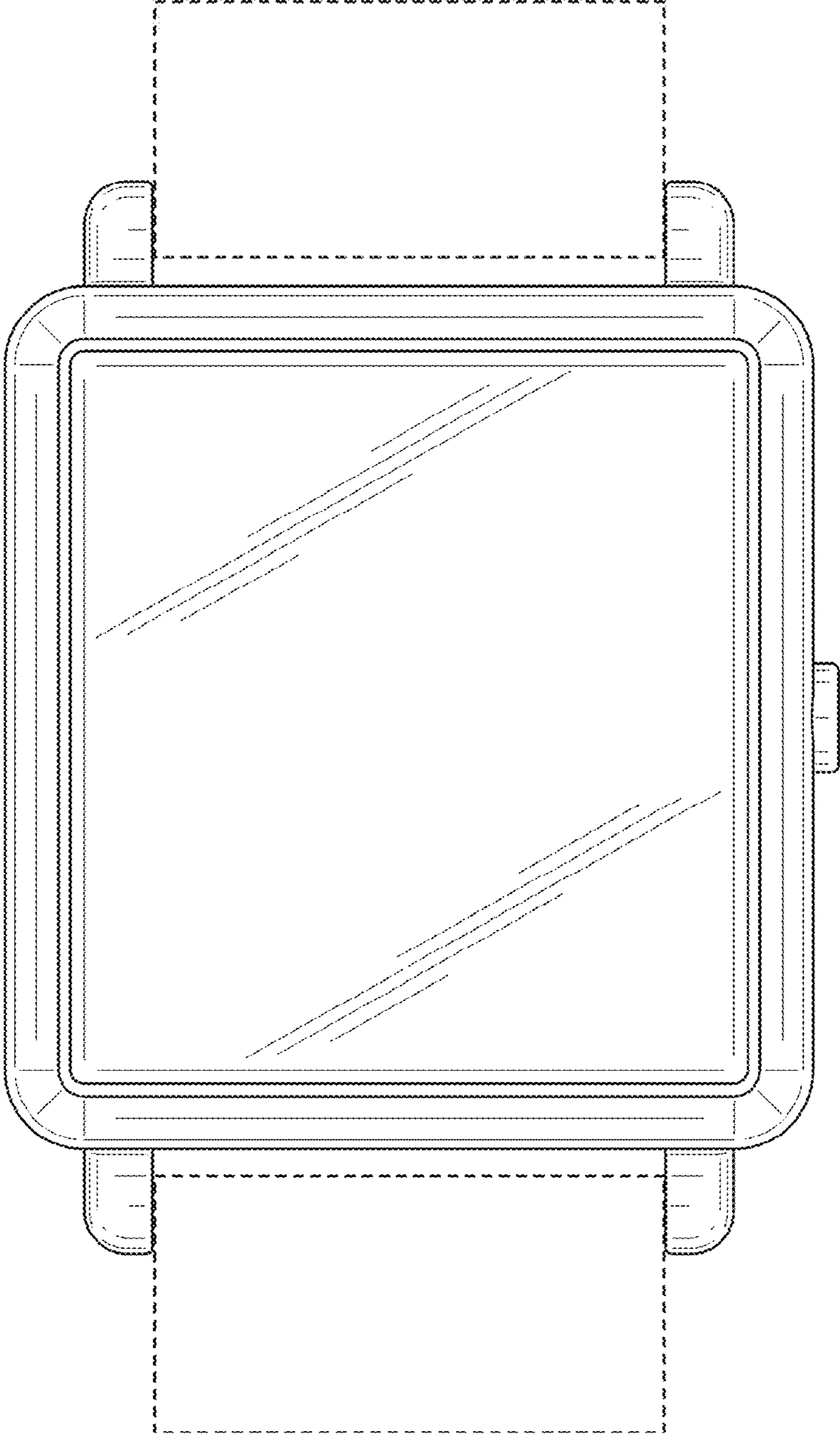


FIG.3

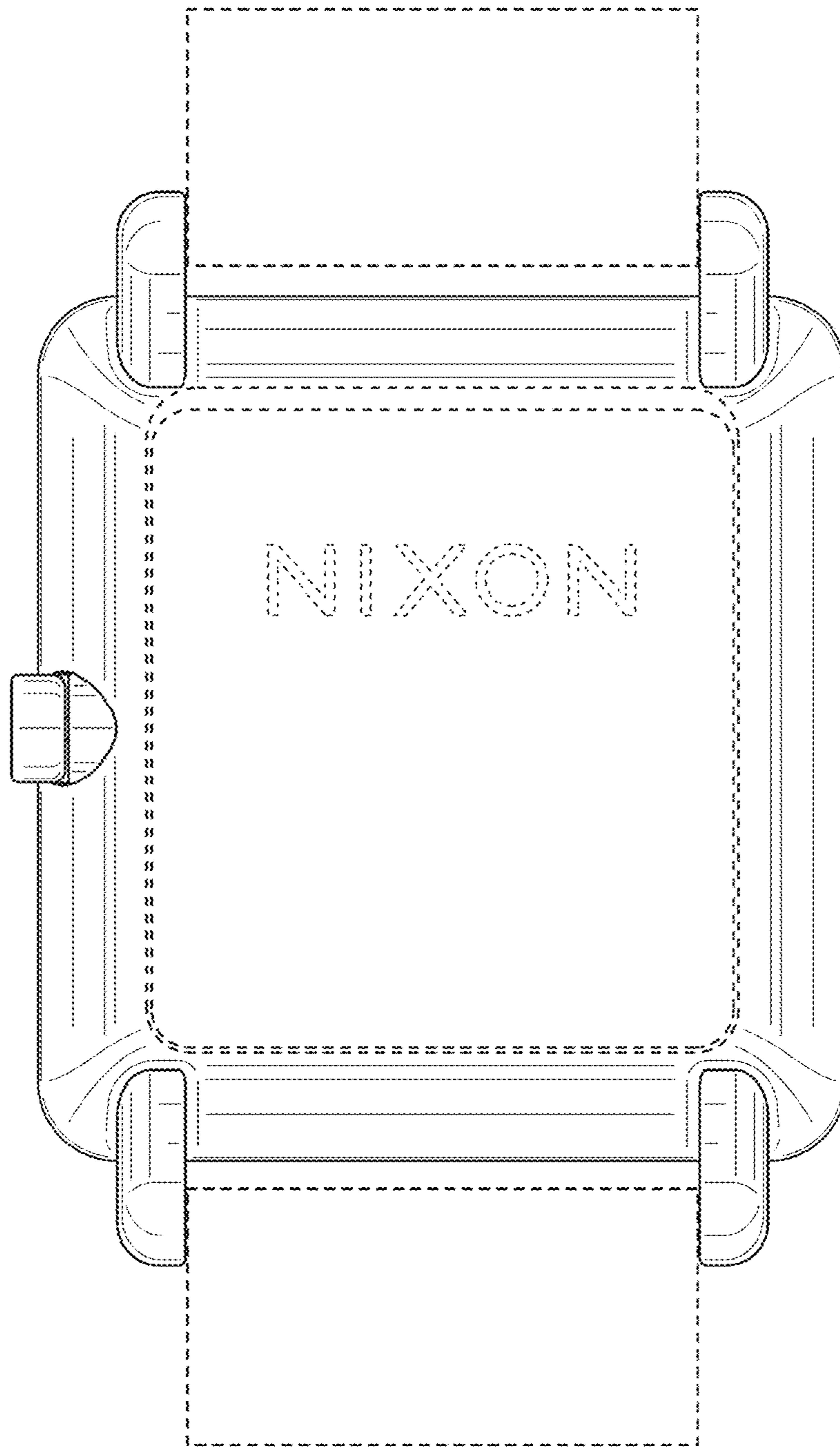


FIG.4

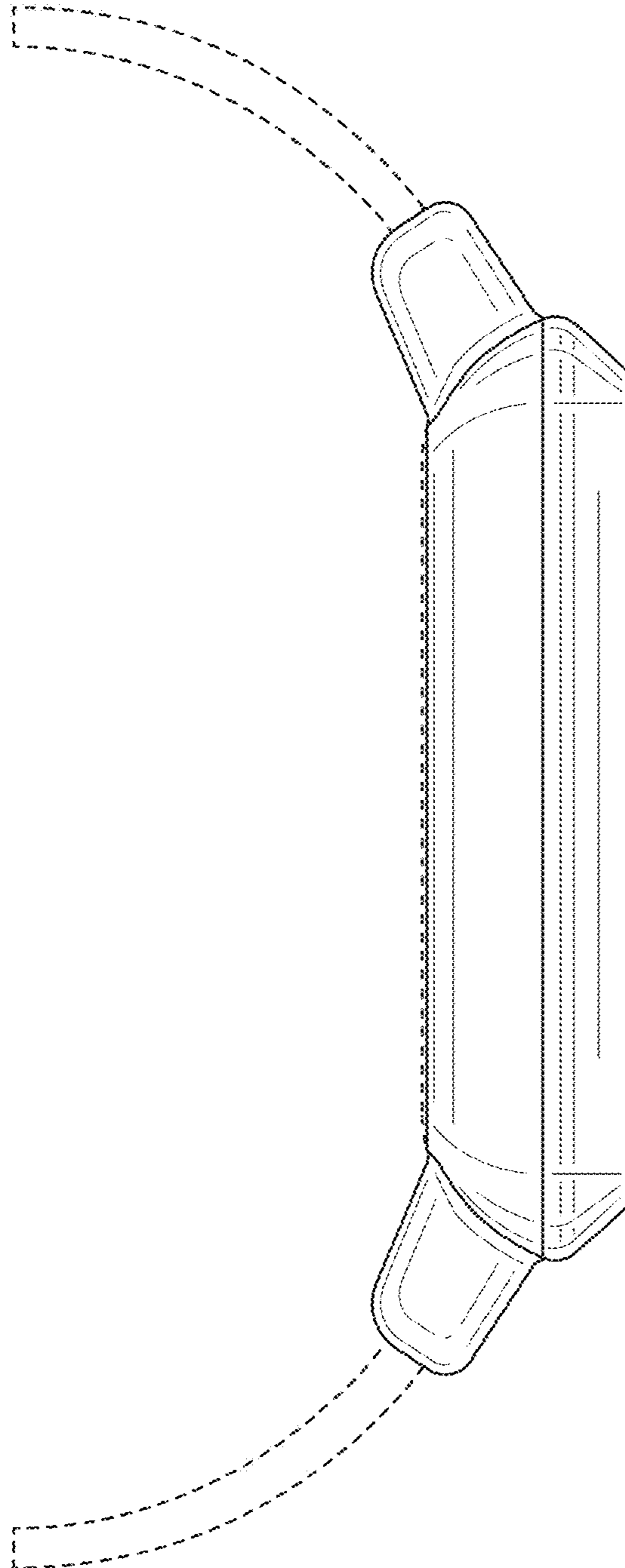


FIG.5

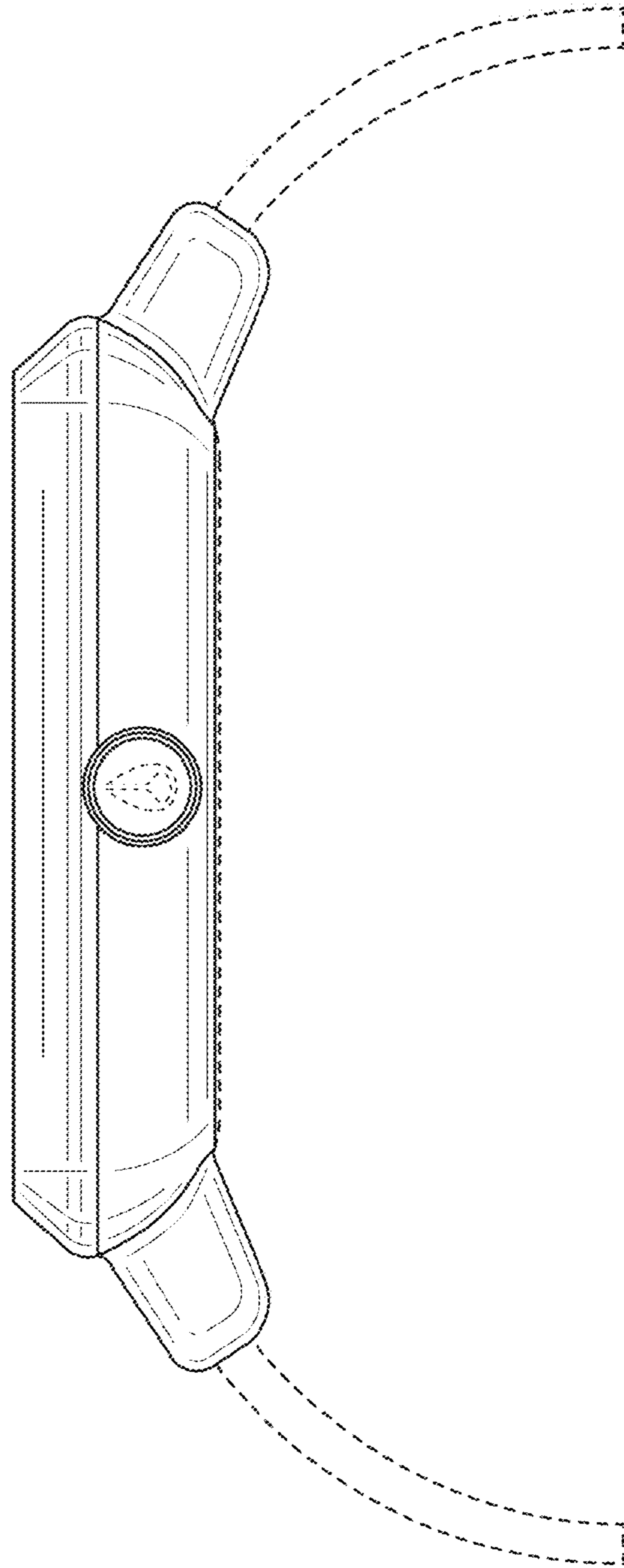


FIG.6

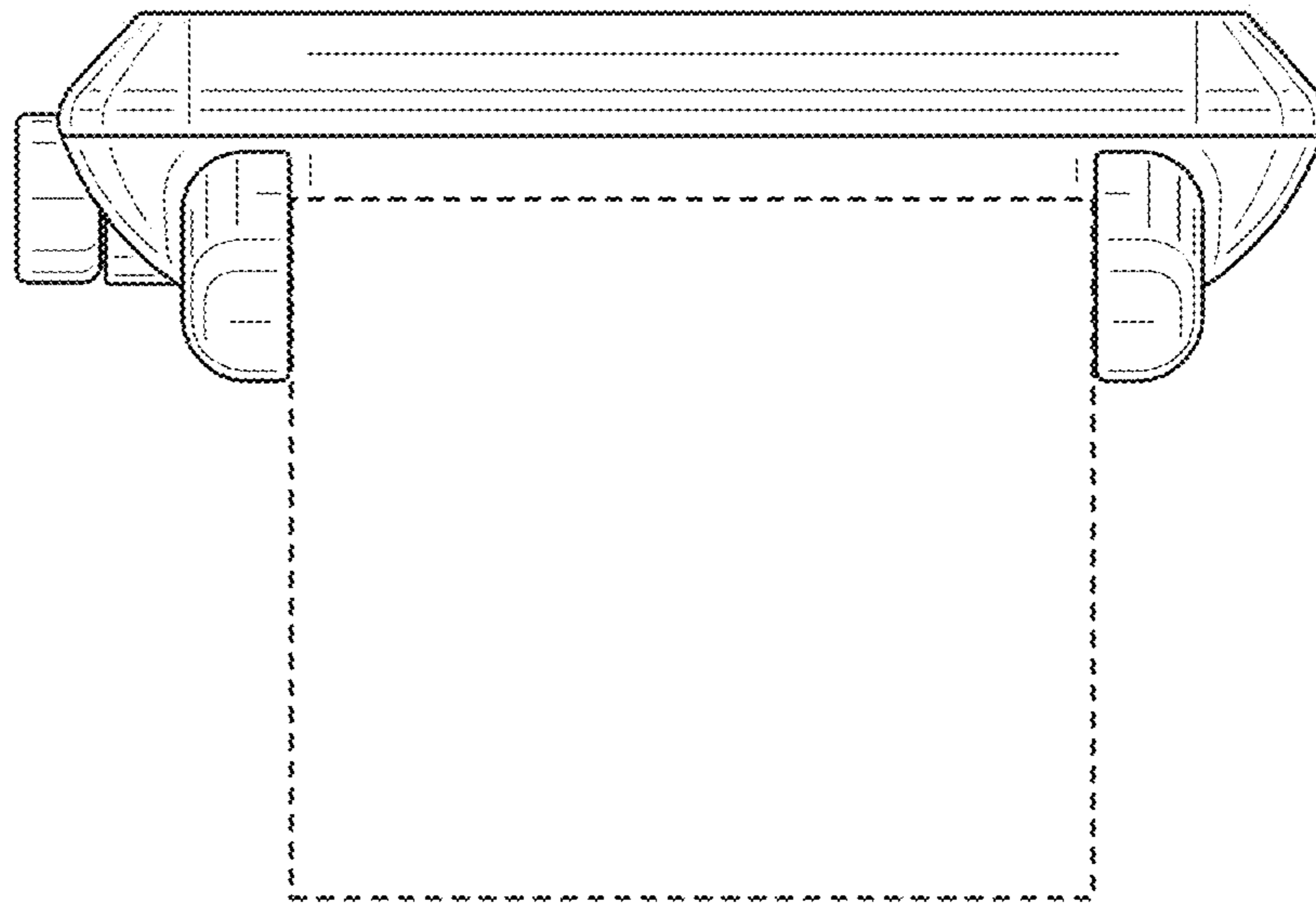


FIG. 7

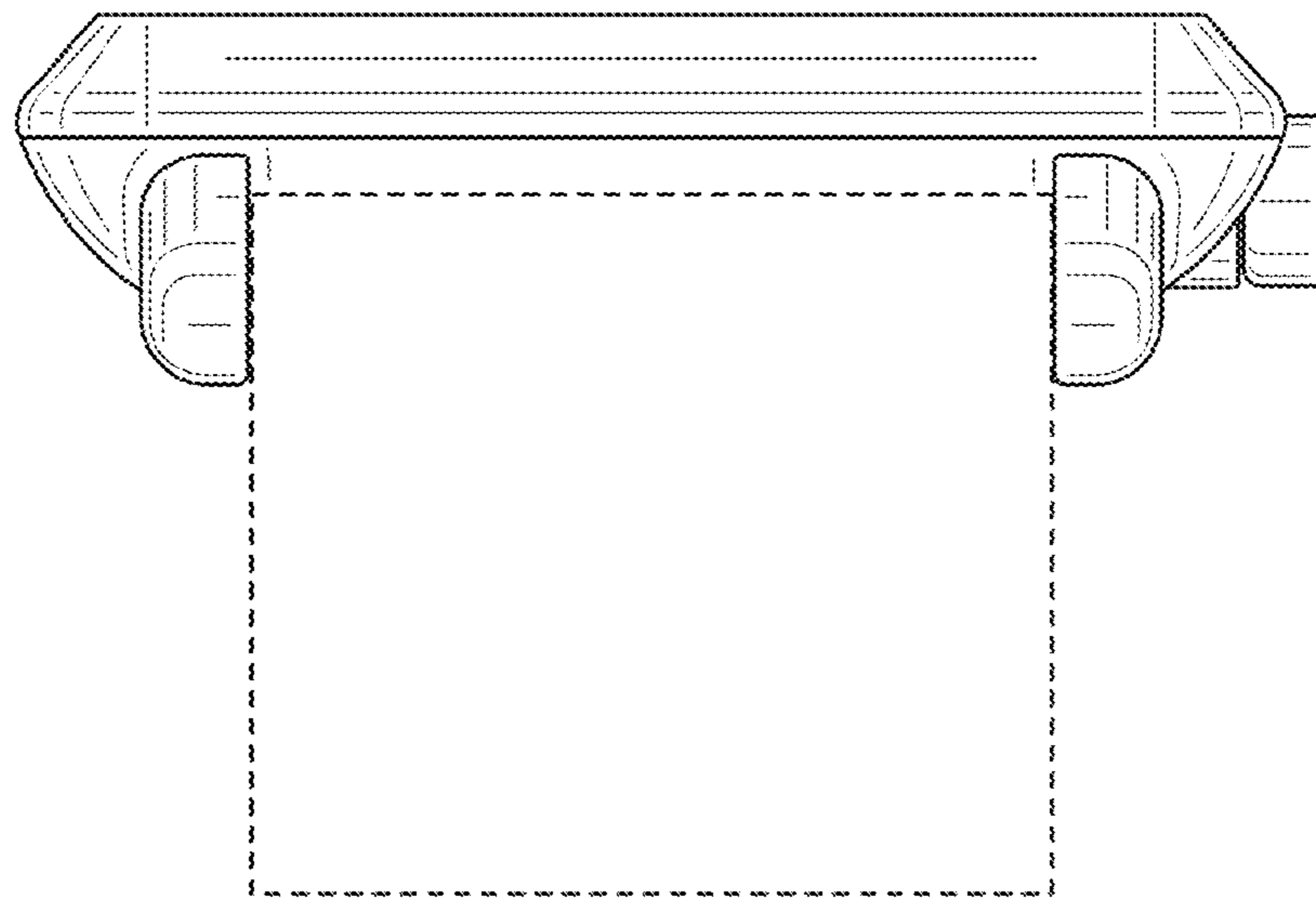


FIG. 8

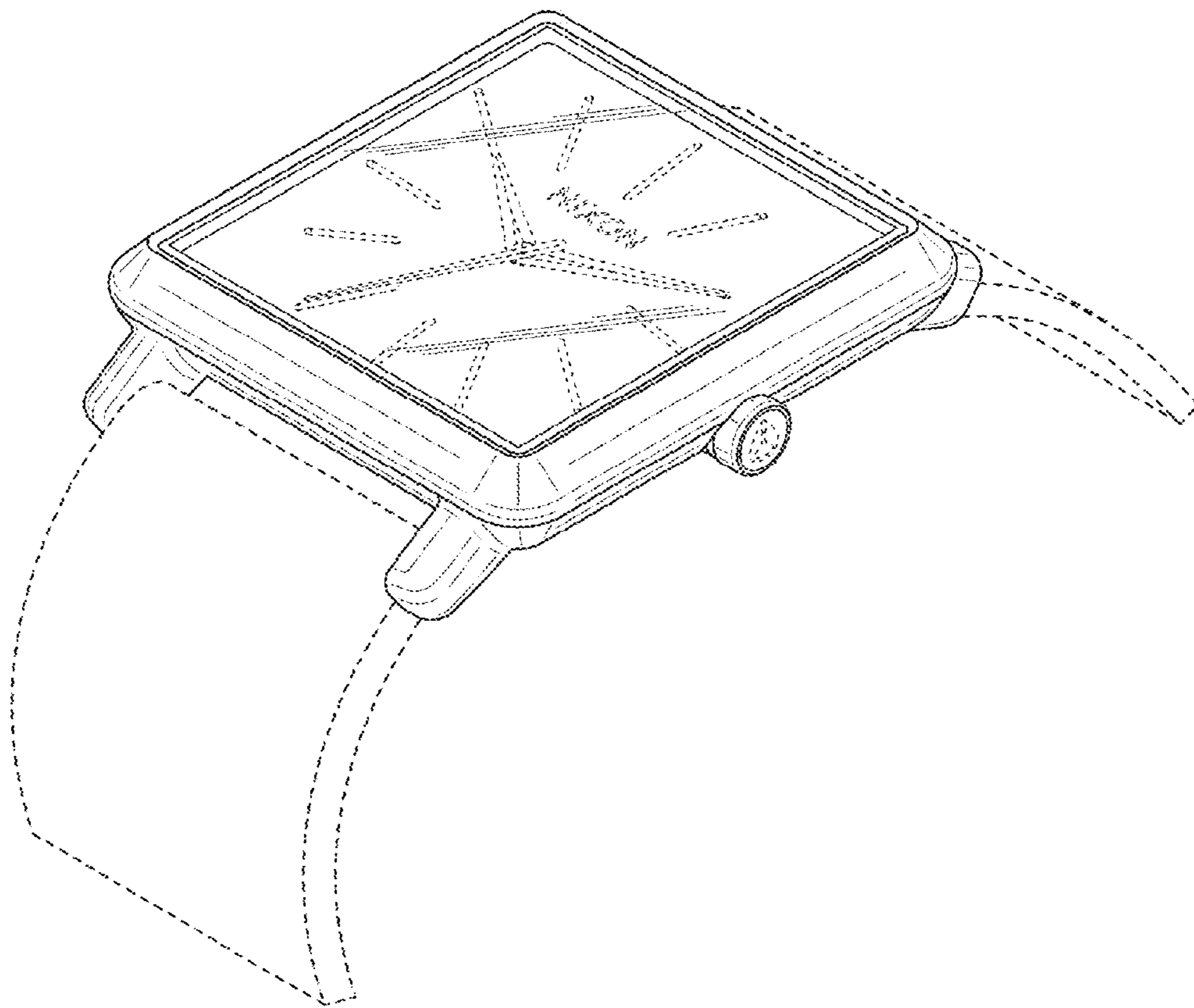


FIG.9

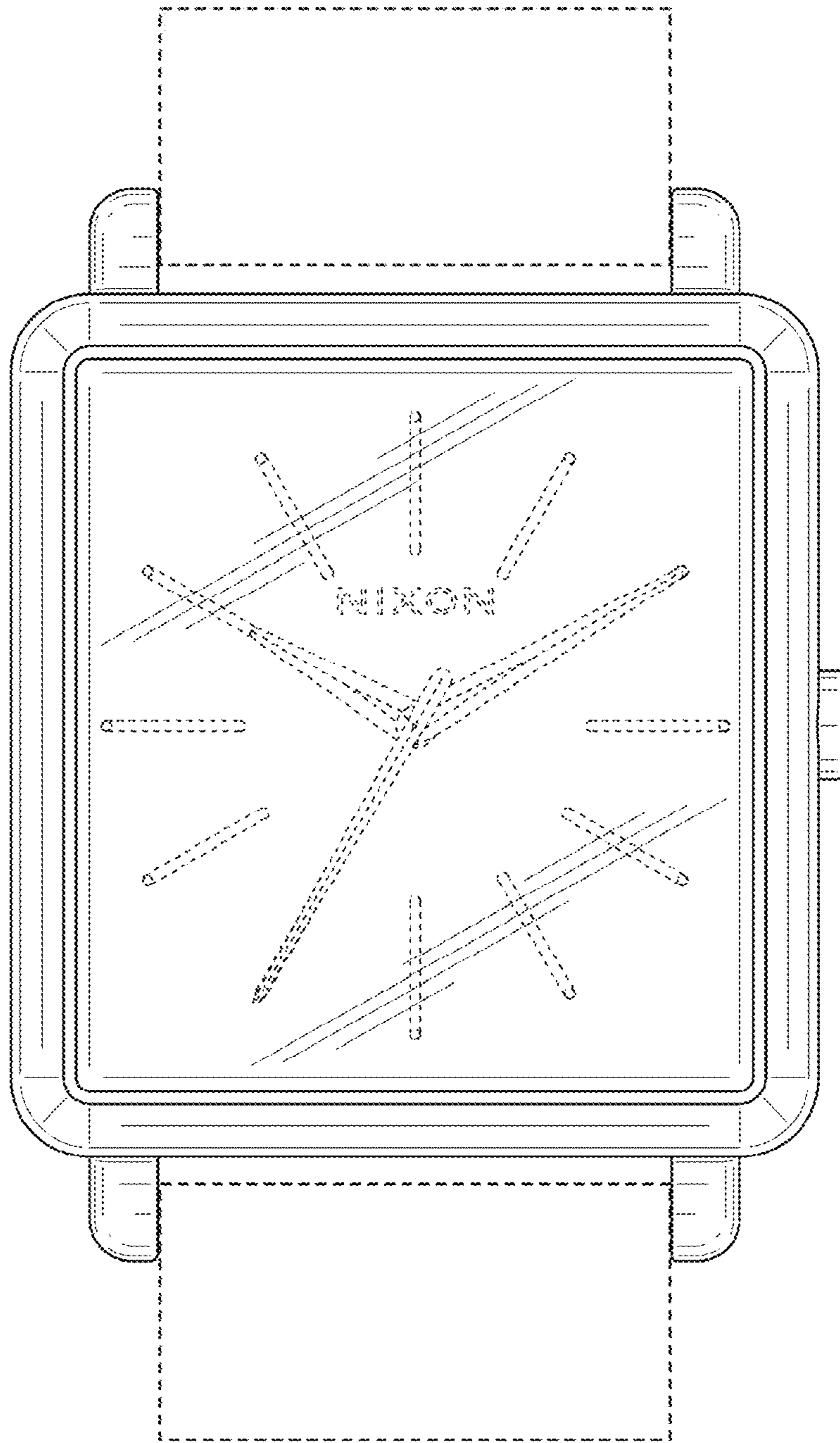


FIG. 10