



US00D747977S

(12) **United States Design Patent**
Calvani

(10) **Patent No.:** **US D747,977 S**
(45) **Date of Patent:** **** Jan. 26, 2016**

- (54) **WATCH**
- (71) Applicant: **Maria Cristina Calvani**, Cologny (CH)
- (72) Inventor: **Maria Cristina Calvani**, Cologny (CH)
- (73) Assignee: **ROLEX WATCH U.S.A., Inc.**, New York, NY (US)
- (**) Term: **14 Years**
- (21) Appl. No.: **29/470,046**
- (22) Filed: **Oct. 17, 2013**

Related U.S. Application Data

- (62) Division of application No. 29/415,070, filed on Mar. 7, 2012, now Pat. No. Des. 707,572.

(30) **Foreign Application Priority Data**

Nov. 3, 2011 (CH) 138387

- (51) **LOC (10) Cl.** **10-02**

- (52) **U.S. Cl.**
USPC **D10/30; D10/39; D10/126**

- (58) **Field of Classification Search**
USPC D10/30-39, 1-29, 122-132
CPC G04B 19/00; G04B 19/06; G04B 19/24;
G04B 37/00; G04B 37/0008; G04B 37/05;
G04B 45/00; G04B 45/0069; G04B 45/0076
See application file for complete search history.

(56) **References Cited**

U.S. PATENT DOCUMENTS

- 124,691 A * 3/1872 Maranville 368/37
- D53,110 S * 3/1919 Goodrow D10/126
- D56,426 S * 10/1920 Bliss D10/126
- D186,180 S 9/1959 Diamond
- D220,051 S 3/1971 Gsell
- 3,901,023 A 8/1975 Uebelhardt

- D309,870 S * 8/1990 Grinberg D10/126
- D350,702 S 9/1994 Schwarz
- D381,584 S 7/1997 Kennedy
- D401,866 S 12/1998 Pandel
- D415,694 S 10/1999 Fichter
- D459,241 S 6/2002 Bodino
- D493,729 S 8/2004 Monachon
- D502,880 S 3/2005 Bernheim
- D510,538 S * 10/2005 Baden et al. D10/126
- D520,384 S 5/2006 Scheufele
- 7,307,916 B2 12/2007 Vogt et al.
- D576,905 S * 9/2008 Calvani D10/126
- D579,350 S 10/2008 Calvani
- D580,290 S 11/2008 Antifora
- D585,309 S 1/2009 Monachon
- D590,274 S 4/2009 Monachon
- D592,080 S 5/2009 Mijatovic
- D616,782 S 6/2010 Chastaingt
- D624,442 S 9/2010 Clerc
- D624,443 S 9/2010 Cerrato
- D658,517 S 5/2012 Behling
- D664,879 S * 8/2012 Behling D10/126
- D668,573 S 10/2012 Rabassa
- D707,572 S * 6/2014 Calvani D10/39
- D714,661 S * 10/2014 Calvani D10/39
- D718,648 S * 12/2014 Calvani D10/126

* cited by examiner

Primary Examiner — Martie K Holtje

(74) *Attorney, Agent, or Firm* — Sughrue Mion, PLLC

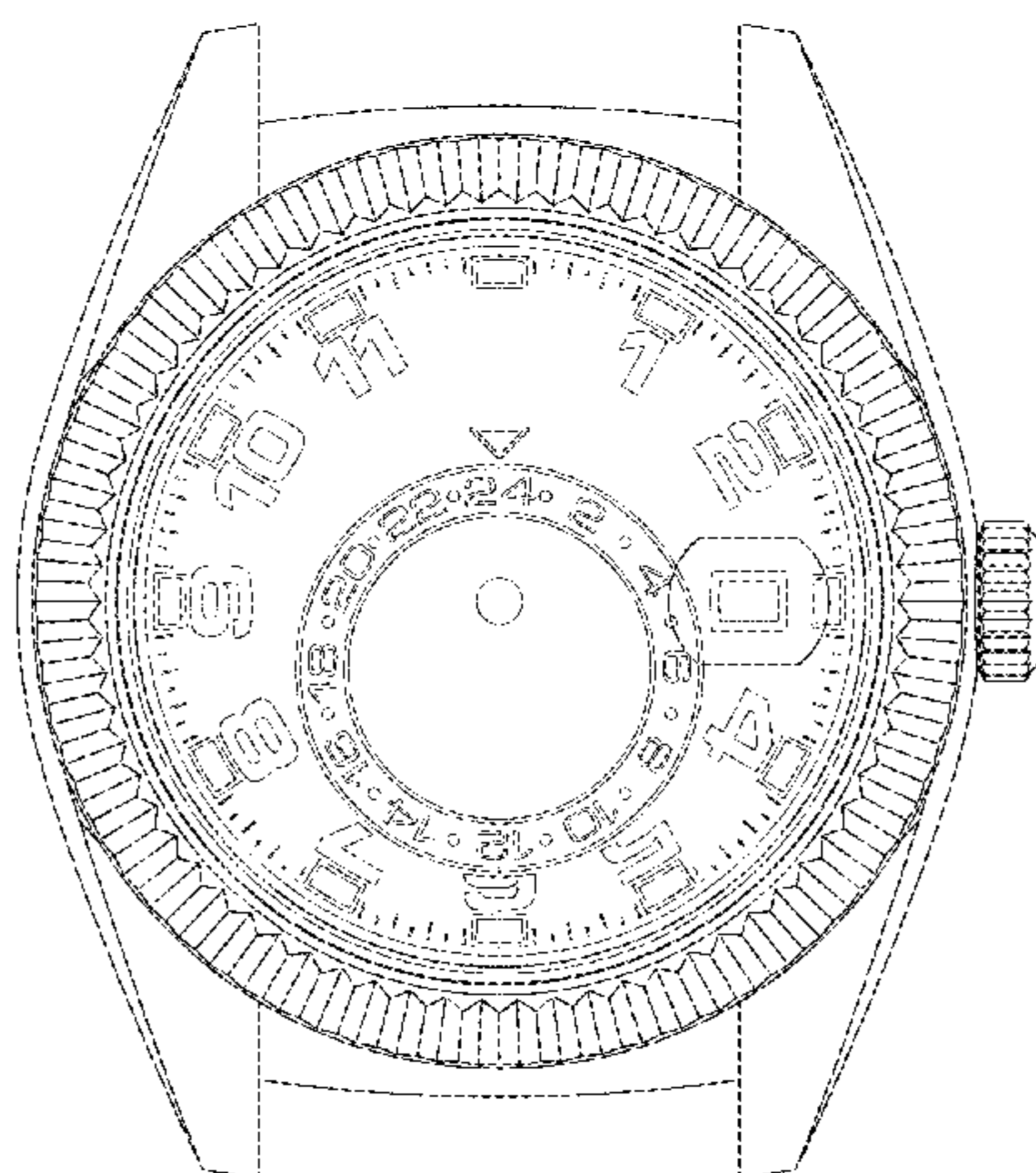
(57) **CLAIM**

The ornamental design for a watch, as shown and described.

DESCRIPTION

FIG. 1 is a front view of the watch according to my design;
 FIG. 2 is a top plan view thereof;
 FIG. 3 is a right side elevational view thereof;
 FIG. 4 is a right front perspective view thereof;
 FIG. 5 is a rear elevational view thereof;
 FIG. 6 is a bottom plan view thereof; and,
 FIG. 7 is a left side elevational view thereof.

1 Claim, 5 Drawing Sheets



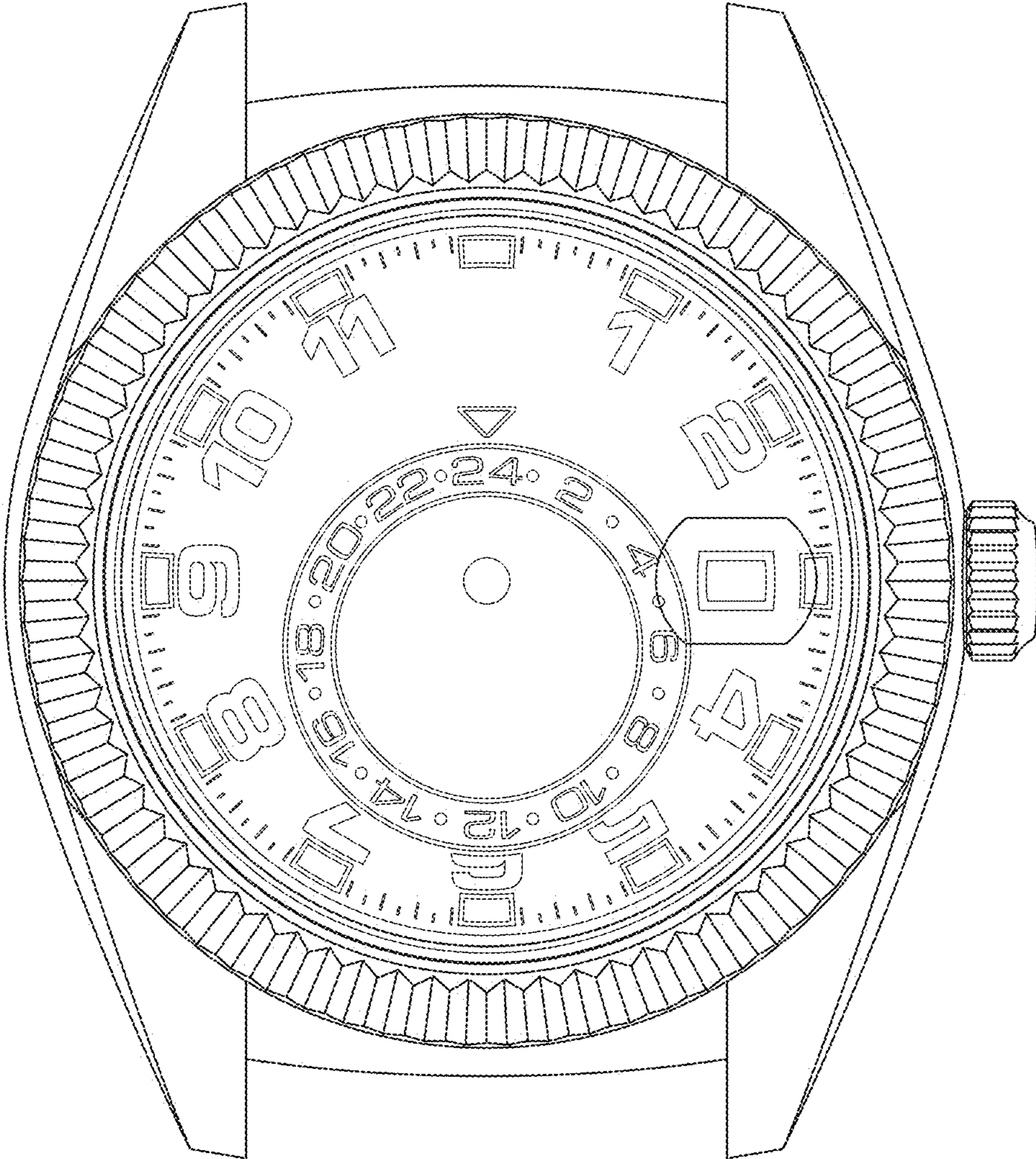


FIG. 1

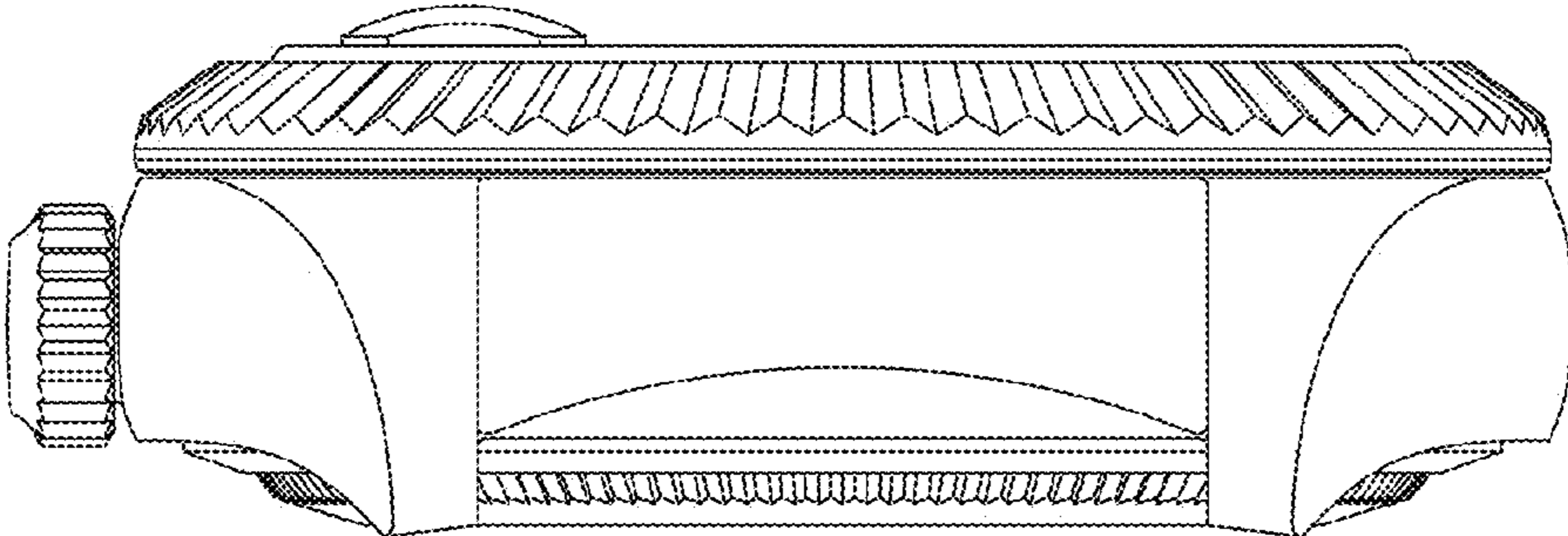


FIG. 2

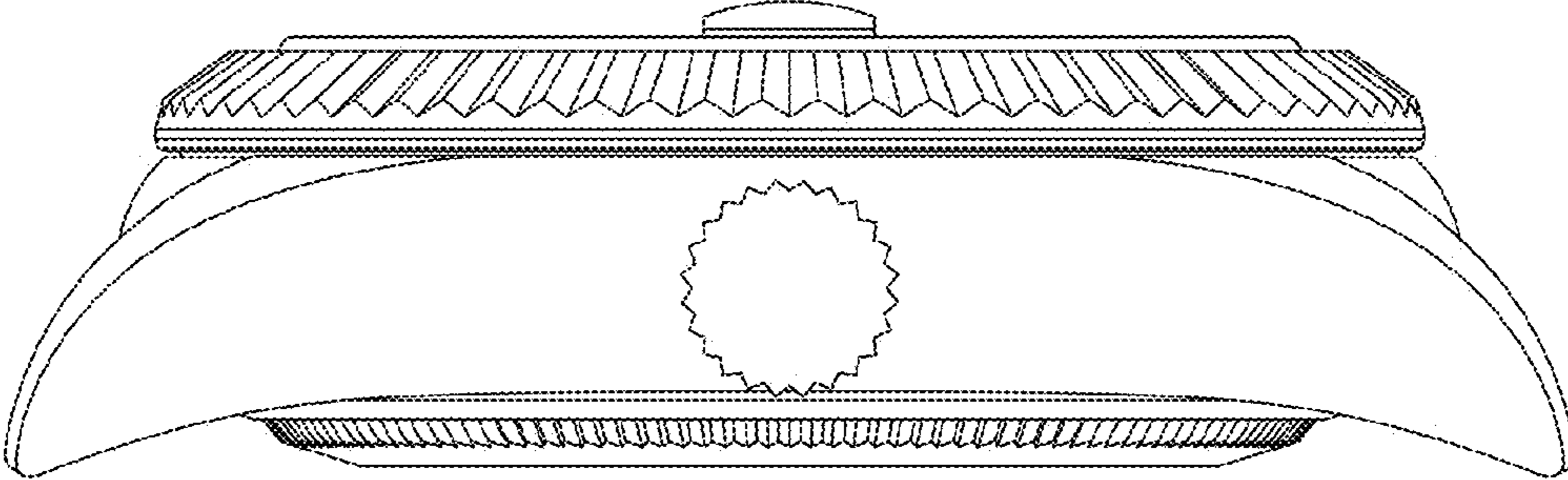


FIG. 3

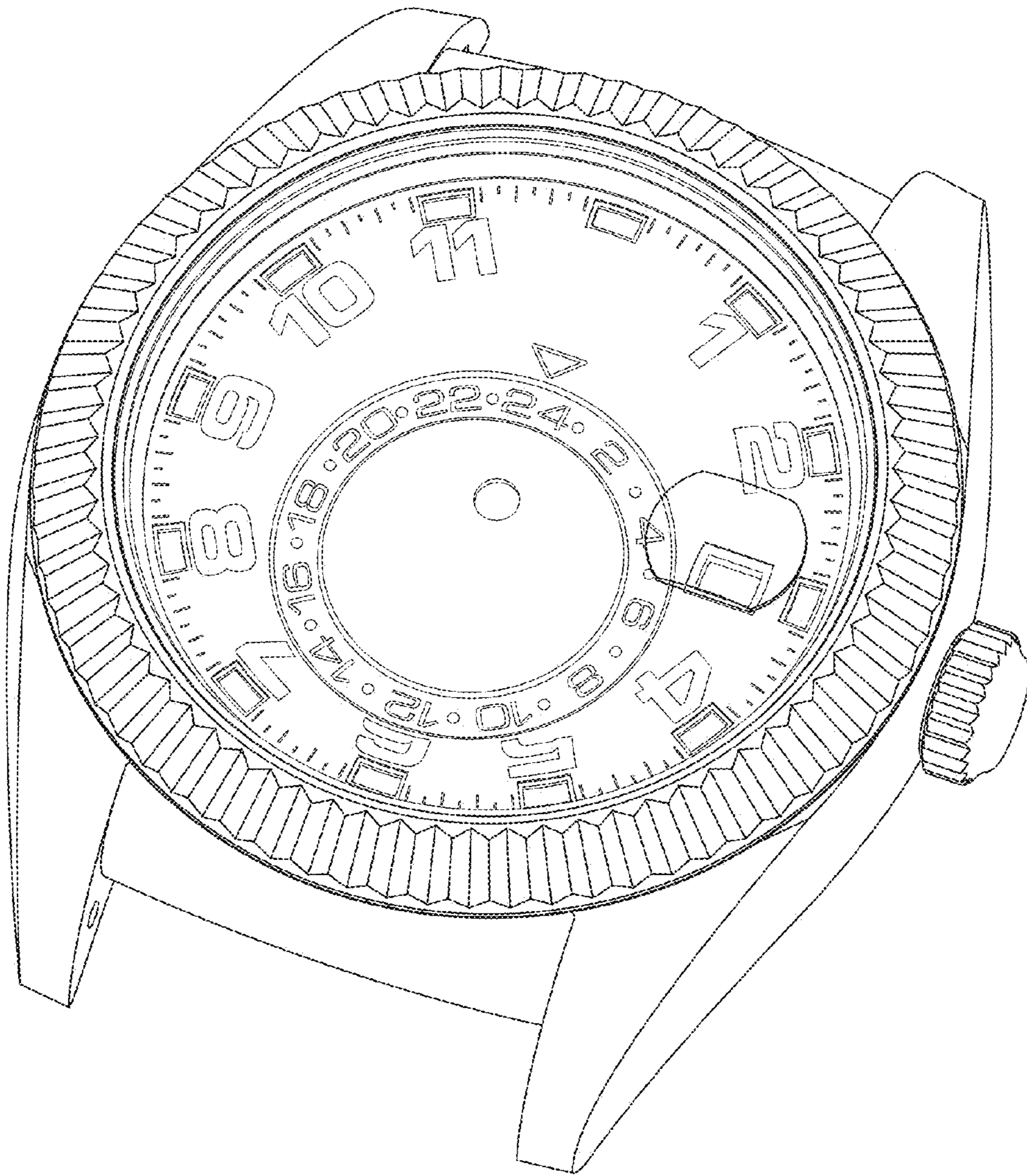


FIG. 4

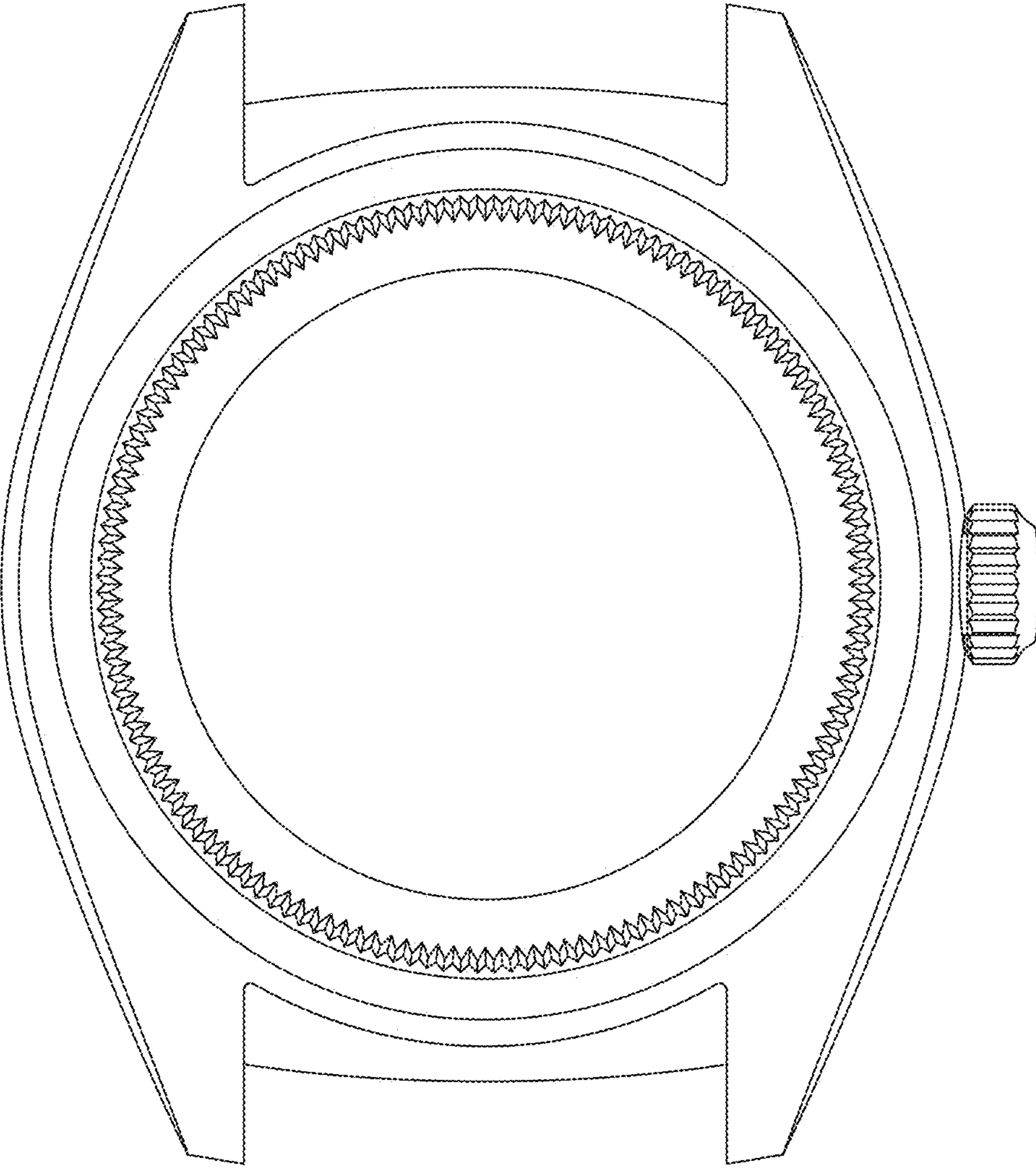


FIG. 5

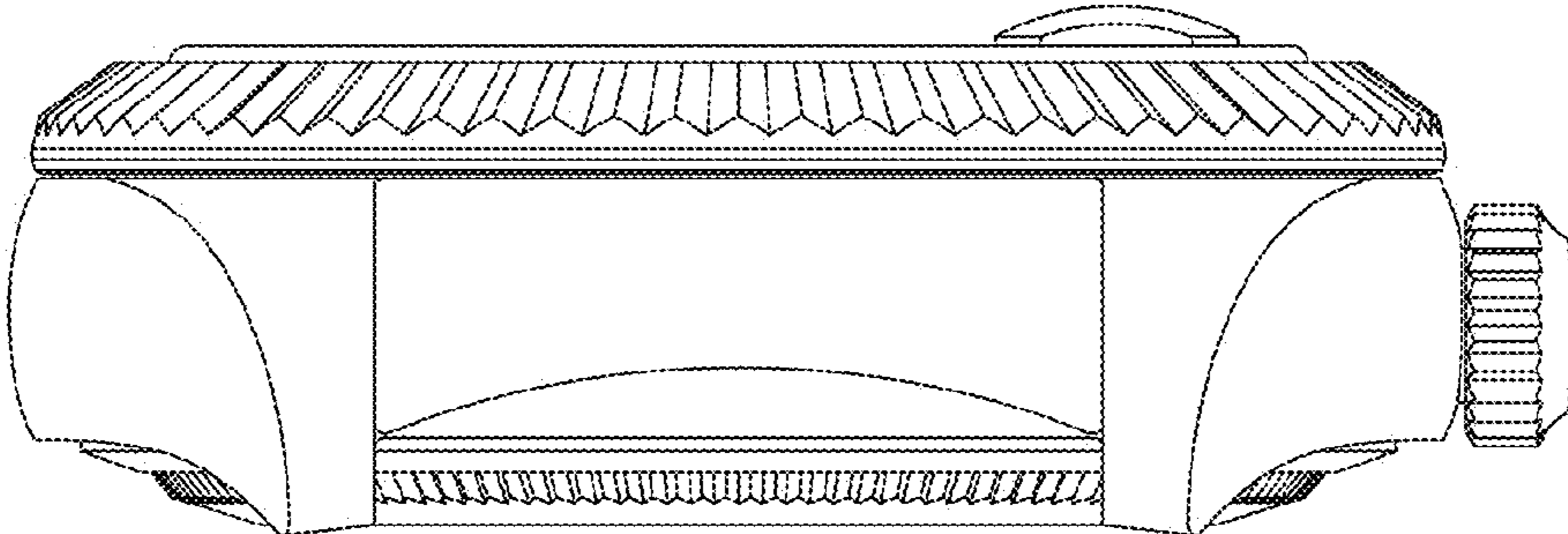


FIG. 6

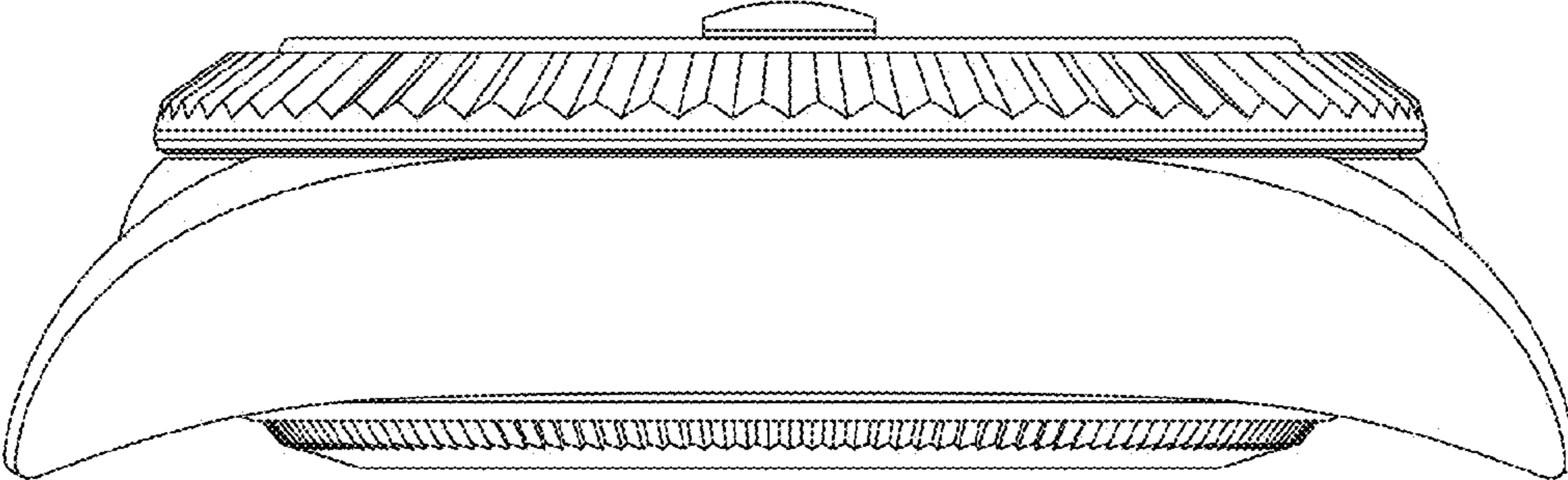


FIG. 7