



US00D747970S

(12) **United States Design Patent**
Maas et al.

(10) **Patent No.:** **US D747,970 S**

(45) **Date of Patent:** **** Jan. 26, 2016**

(54) **DISPENSING BOTTLE**

(71) Applicant: **Arrow Plastic Manufacturing Co.**, Elk Grove, IL (US)

(72) Inventors: **David Maas**, Wheaton, IL (US); **Robert Kleckauskas**, St. Charles, IL (US); **John P. Coursey**, Chicago, IL (US); **Bruce Ronner**, Glencoe, IL (US); **Rita Sifuentes**, Melrose Park, IL (US); **Valorie Boldrey Langille**, Glen Ellyn, IL (US); **Charles A. Brewer**, St. Charles, IL (US); **Jeffrey M. Fish**, Perrysburg, OH (US)

(73) Assignee: **Arrow Plastic Manufacturing Co.**, Elk Grove, IL (US)

(**) Term: **14 Years**

(21) Appl. No.: **29/468,705**

(22) Filed: **Oct. 2, 2013**

(51) **LOC (10) Cl.** **09-01**

(52) **U.S. Cl.**
USPC **D9/531; D7/306; D7/313**

(58) **Field of Classification Search**
USPC D7/306-308, 312, 313; D9/516,
D9/523-528, 531, 540, 575; D23/202;
215/382-384, 396, 398, 400, 6;
222/94, 465.1, 185.1

See application file for complete search history.

(56) **References Cited**

U.S. PATENT DOCUMENTS

D378,883	S	*	4/1997	Magnusson	D7/306
D429,943	S	*	8/2000	Yu	D7/306
D452,956	S	*	1/2002	Hari et al.	D9/527
D461,131	S	*	8/2002	Leray et al.	D9/524
D479,130	S	*	9/2003	Kleckauskas et al.	D9/531
D529,749	S	*	10/2006	Allen et al.	D7/306
D603,575	S	*	11/2009	Kerman et al.	D34/39

* cited by examiner

Primary Examiner — Derrick Holland

Assistant Examiner — Janice Lim

(74) *Attorney, Agent, or Firm* — Wood, Phillips, Katz, Clark & Mortimer

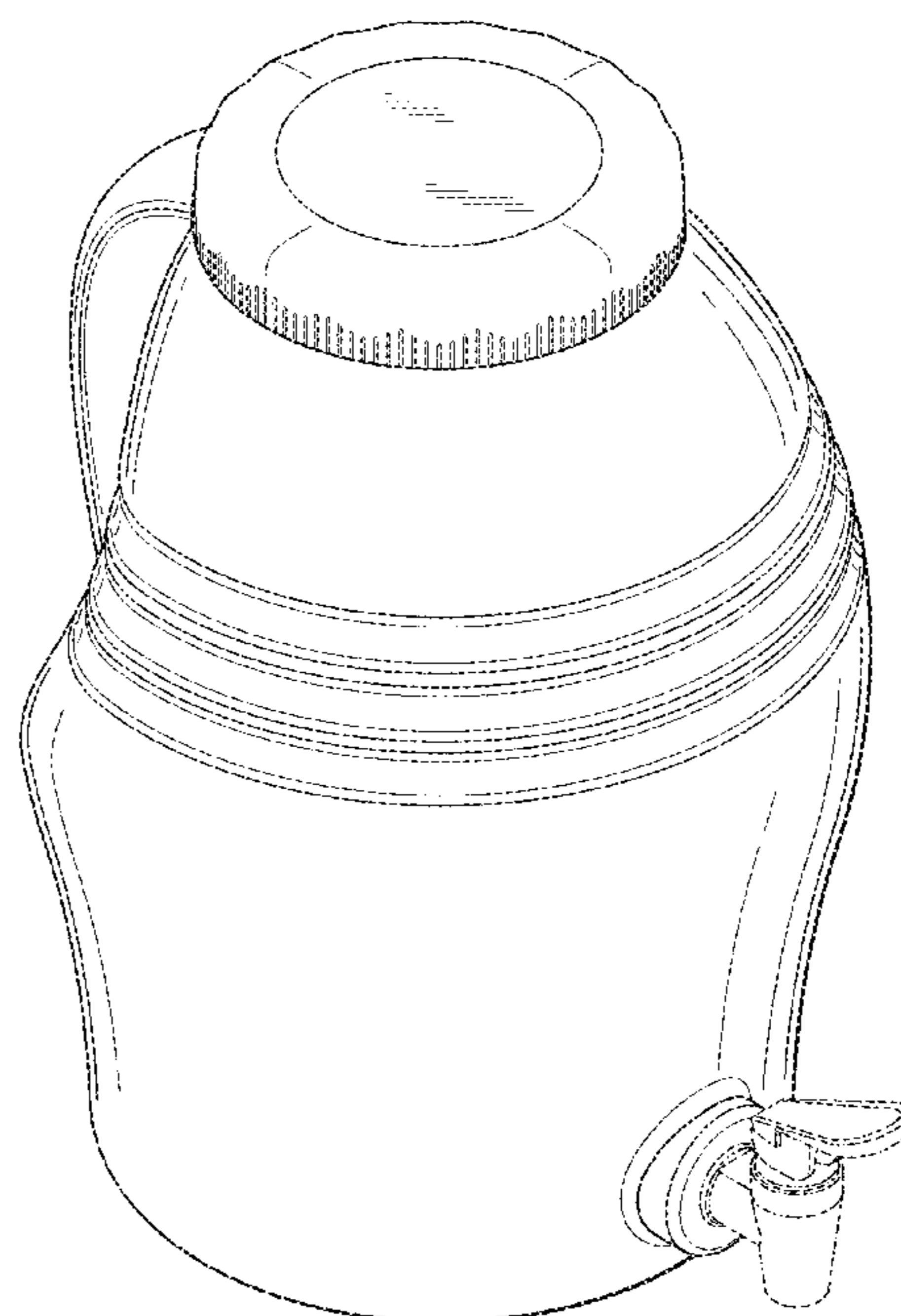
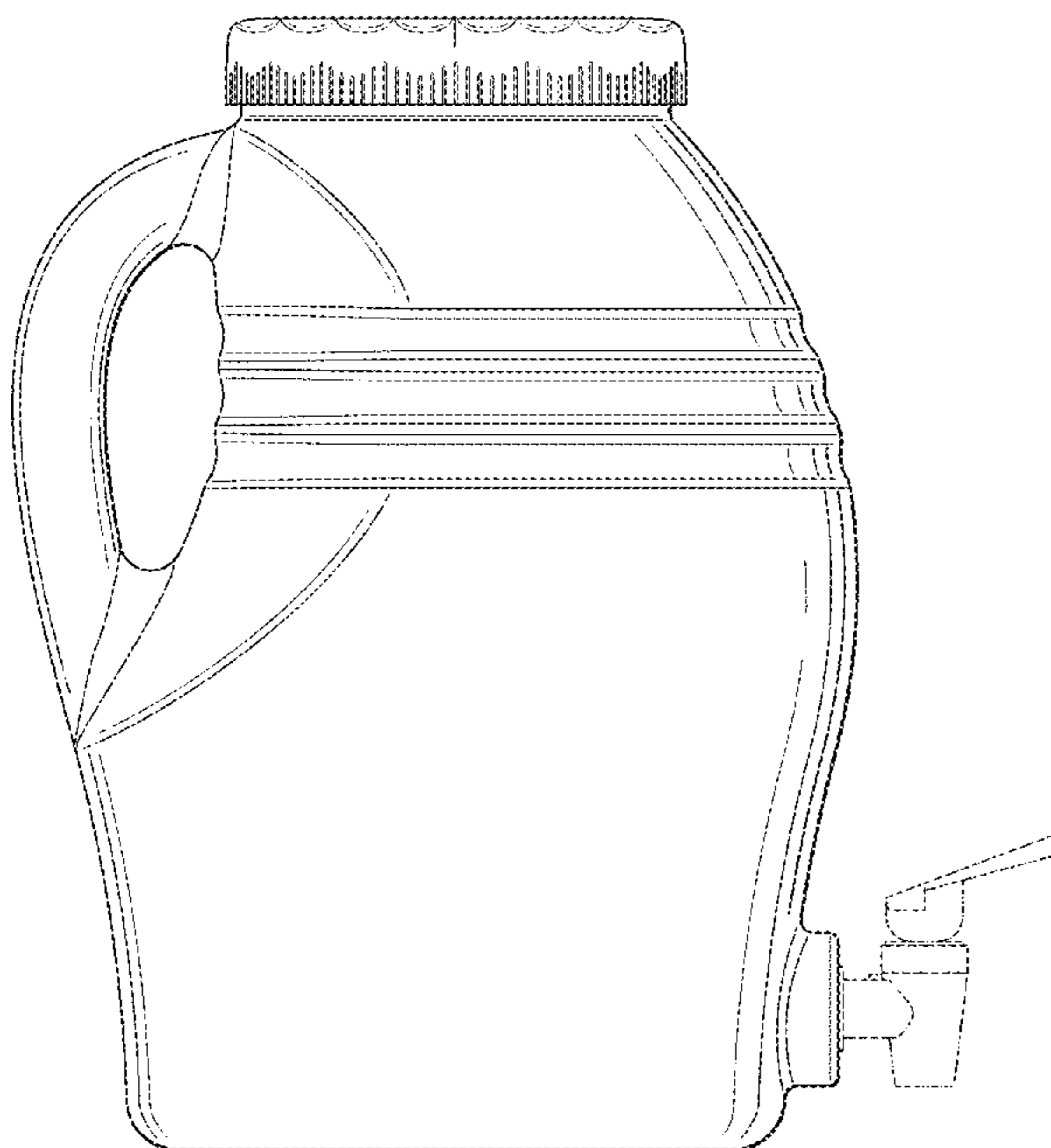
(57) **CLAIM**

The ornamental design for a dispensing bottle, substantially as shown and described.

DESCRIPTION

FIG. 1 is a front elevational view of a dispensing bottle, showing our new design;
FIG. 2 is a side elevation view thereof, with the opposite side elevational view being a mirror image thereof;
FIG. 3 is a rear elevational view thereof;
FIG. 4 is a top plan view thereof;
FIG. 5 is a front, perspective view thereof; and,
FIG. 6 is a rear, perspective view thereof.
The broken line portions of FIGS. 1, 2, and 4-6 are included to show unclaimed subject matter only and form no part of the claimed design.

1 Claim, 6 Drawing Sheets



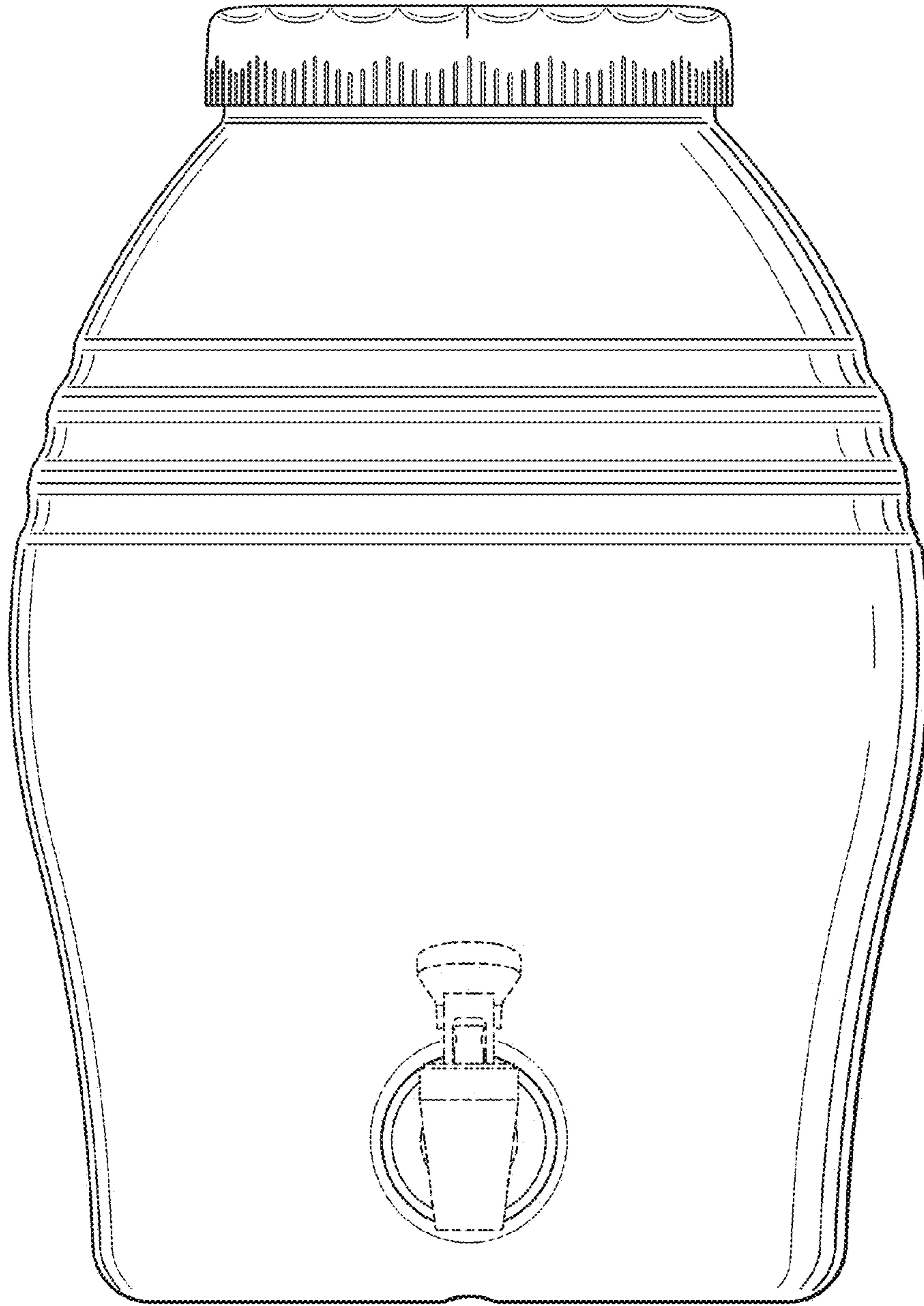


FIG. 1

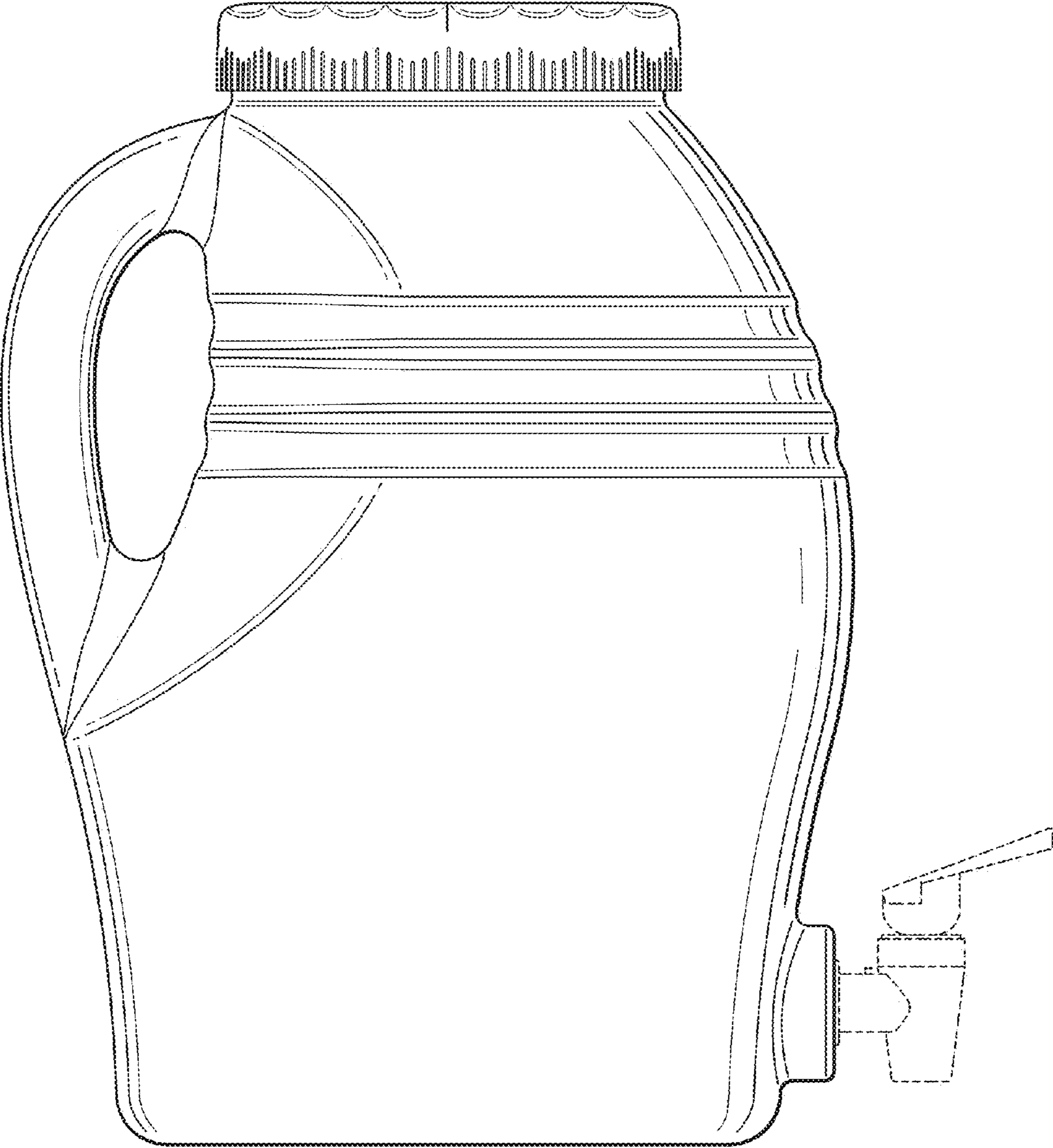


FIG. 2

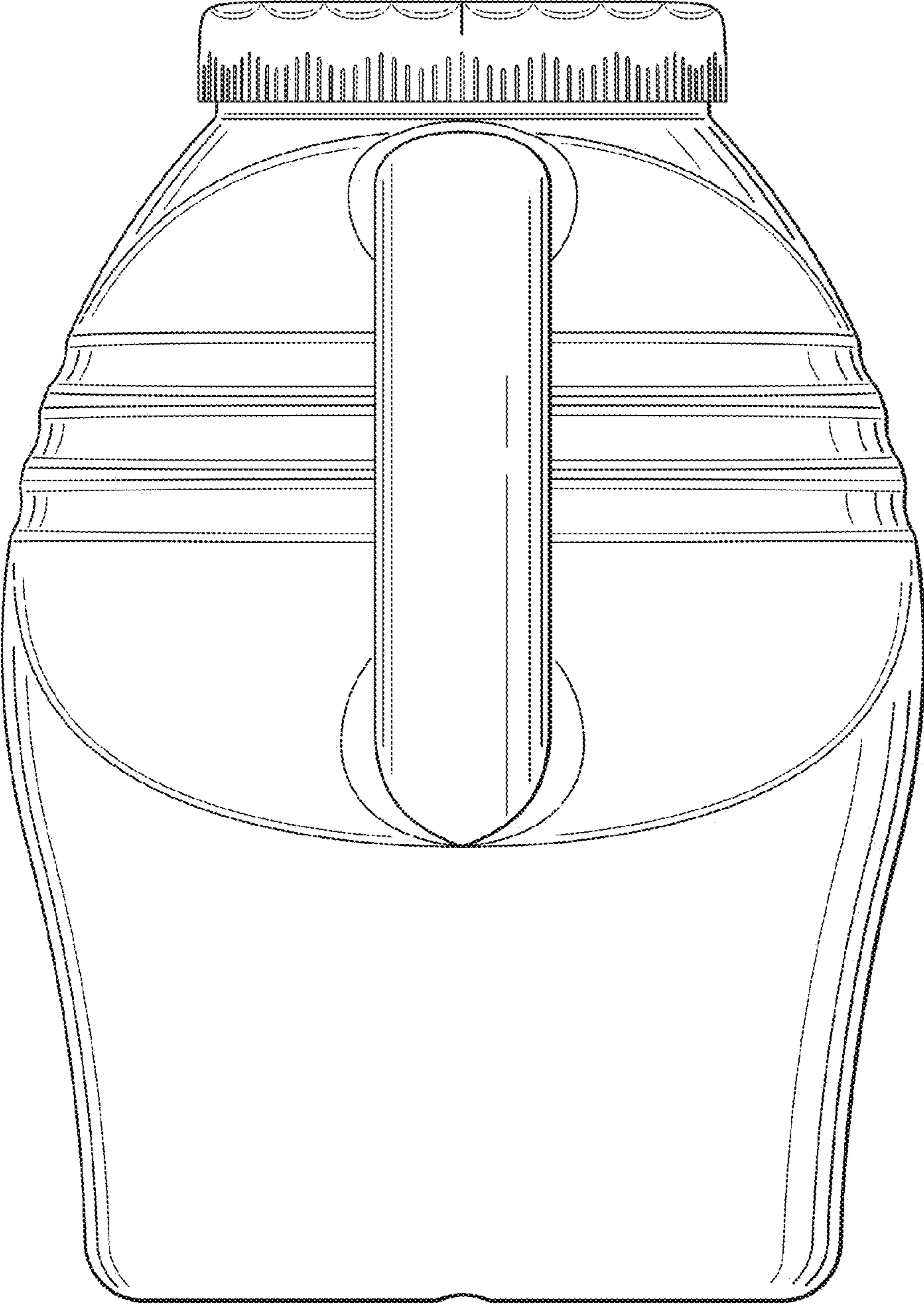


FIG. 3

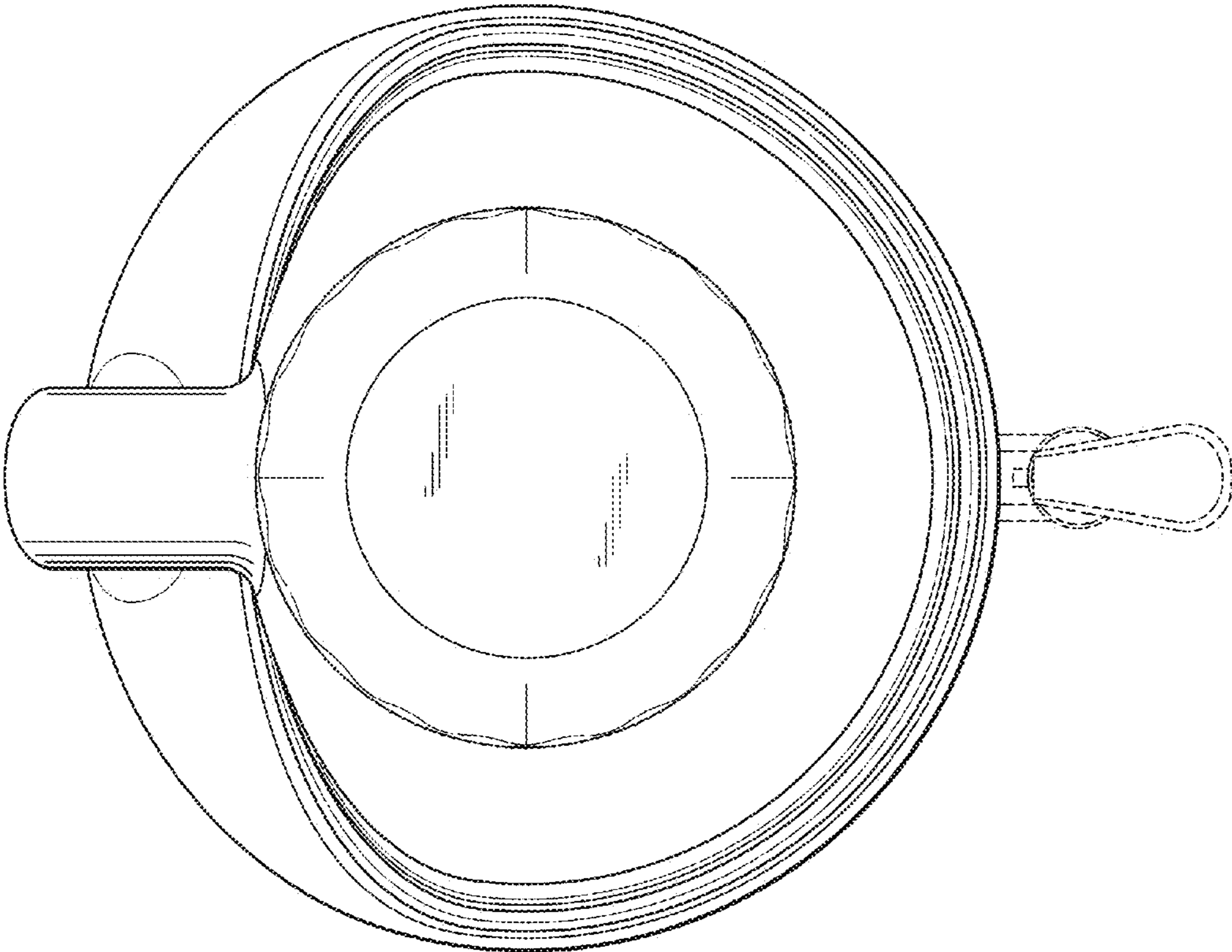


FIG. 4

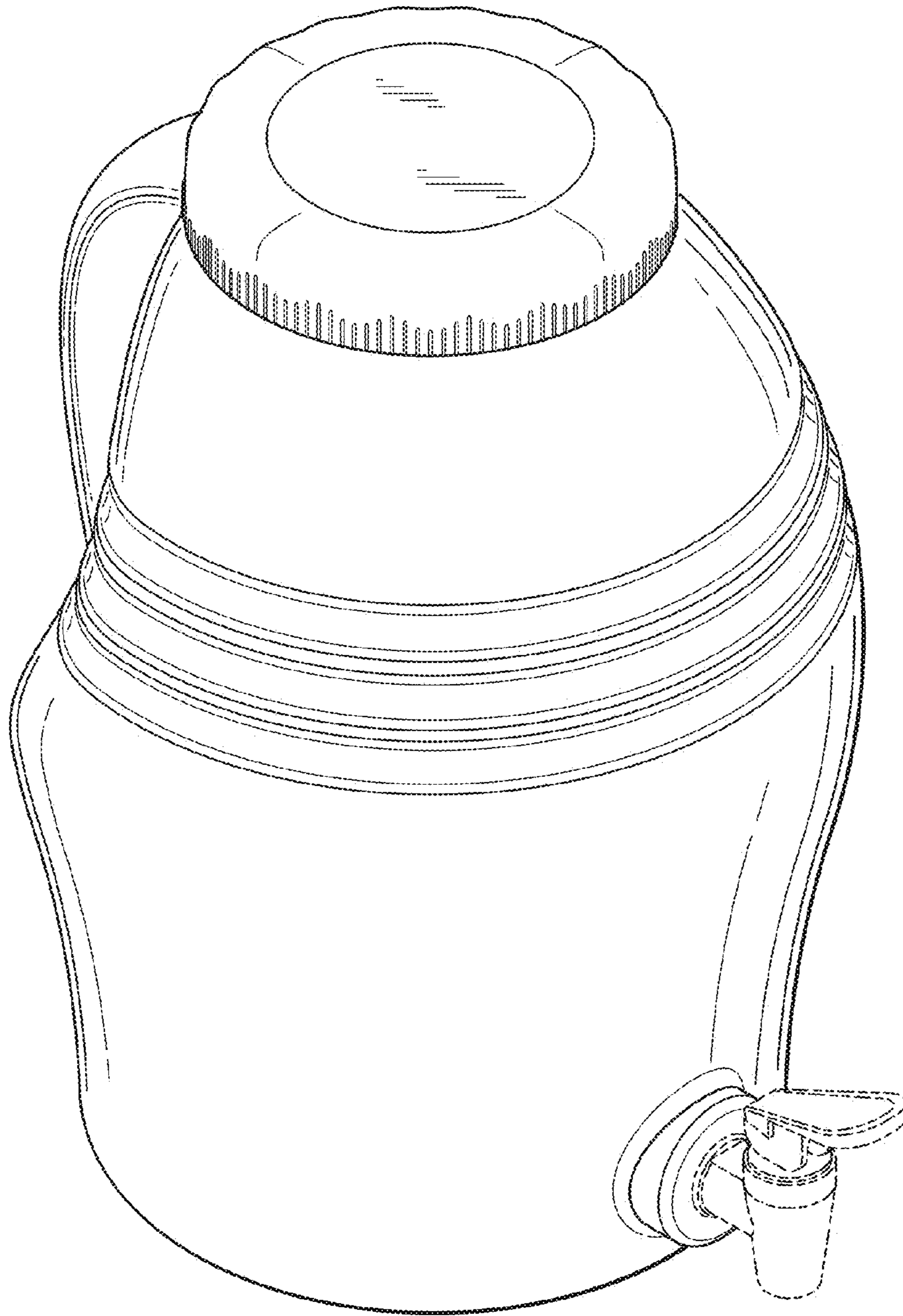


FIG. 5



FIG. 6