



US00D747964S

(12) **United States Design Patent**
Limback

(10) **Patent No.:** **US D747,964 S**
(45) **Date of Patent:** **** Jan. 26, 2016**

- (54) **PACKAGE FOR MEDICAL DEVICE**
- (71) Applicant: **AVENTISUB LLC**, Greenville, DE (US)
- (72) Inventor: **Nancy Gail Limback**, Valley Park, MO (US)
- (73) Assignee: **AVENTISUB LLC**, Greenville
- (**) Term: **14 Years**
- (21) Appl. No.: **29/472,509**
- (22) Filed: **Nov. 13, 2013**
- (51) **LOC (10) Cl.** **09-03**
- (52) **U.S. Cl.**
USPC **D9/426**
- (58) **Field of Classification Search**
USPC D9/414, 415, 416, 419, 420, 421, 424, D9/425, 428, 429, 454; D7/619.1, 629, D7/672; 229/406; 220/656-659, 669-675, 220/912, 4.21-4.27; 206/503, 521.1, 553, 206/557, 541, 564, 775, 776, 217; D3/294
CPC A47J 36/06; A47J 47/14; B65D 1/165; B65D 15/08; B65D 21/083; B65D 21/0234; B65D 43/162; B65D 71/50; B65D 77/24; B65D 81/3869; B65D 2543/00046; B65D 2543/00055; B65D 2543/00083; B65D 2543/00092; B65D 2543/00296
See application file for complete search history.

5,984,103	A *	11/1999	Stirmel et al.	206/722
D417,841	S	12/1999	Suzuki		
D422,209	S	4/2000	Suzuki		
D422,210	S	4/2000	Sturkie et al.		
D424,931	S *	5/2000	Teasdale et al.	D9/418
D429,463	S	8/2000	Liberto		
D451,382	S *	12/2001	Adkins	D9/415
6,398,026	B1 *	6/2002	Parsons	206/349
D460,355	S	7/2002	Lenz et al.		
D486,731	S	2/2004	Meecker et al.		
D492,594	S *	7/2004	Nash	D9/415
D503,616	S	4/2005	Ghini et al.		
D504,811	S *	5/2005	Haingaertner	D9/415
D508,850	S	8/2005	Ghini et al.		
D509,728	S	9/2005	Kato		
D521,374	S	5/2006	Ghini et al.		
D540,667	S *	4/2007	Duranthon	D9/430
D541,646	S *	5/2007	Hayes et al.	D9/415
D569,719	S *	5/2008	Ross	D9/416
D578,875	S	10/2008	Kent et al.		

(Continued)

Primary Examiner — Karen S Acker
Assistant Examiner — Wendy Arminio
(74) *Attorney, Agent, or Firm* — Scully Scott Murphy and Presser

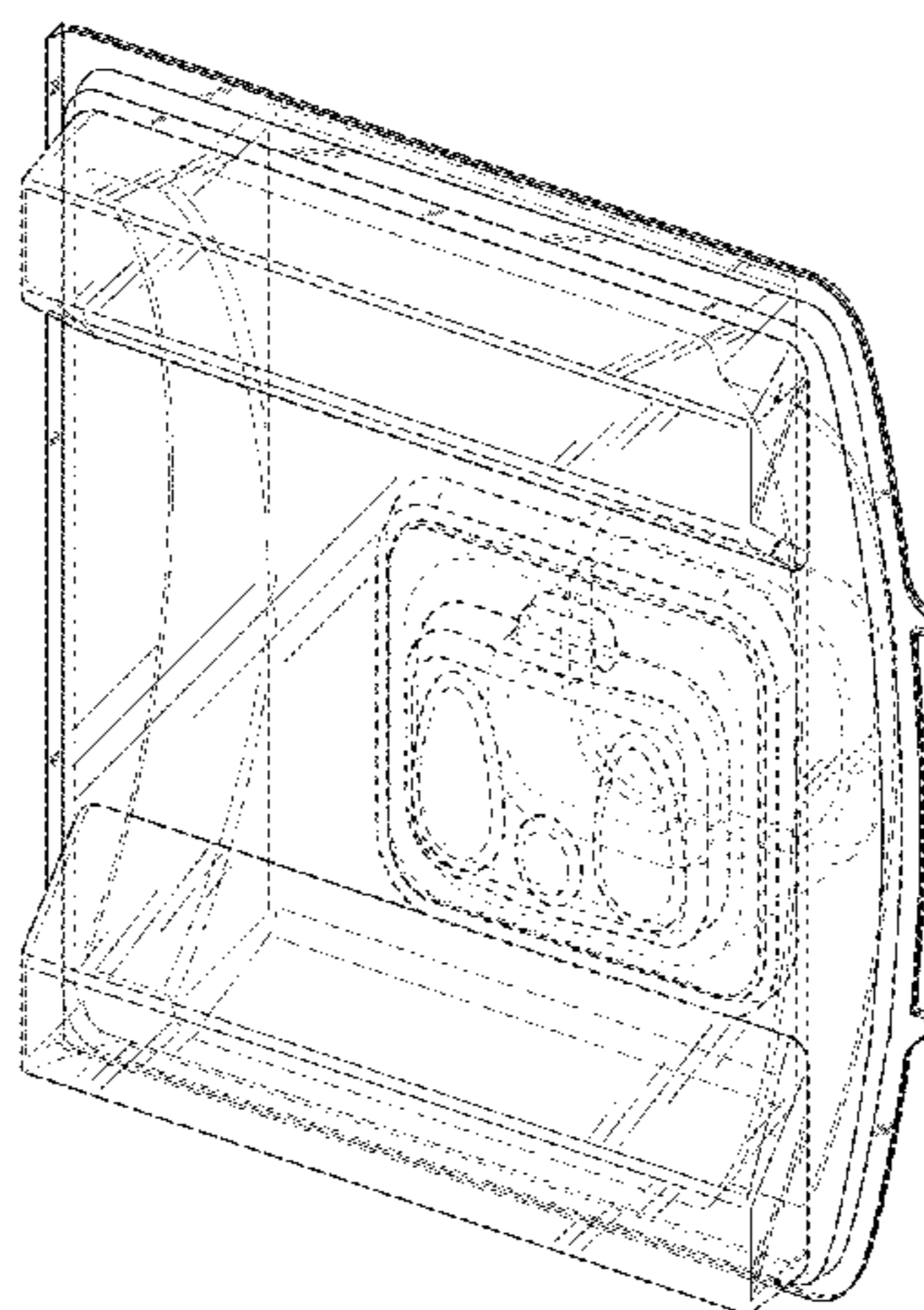
(57) **CLAIM**
The ornamental design for a package for medical device, as shown and described.

DESCRIPTION

FIG. 1 is a perspective view of a package for medical device showing my new design;
FIG. 2 is a front view of FIG. 1;
FIG. 3 is a rear view of FIG. 1;
FIG. 4 is a left side view of FIG. 1;
FIG. 5 is a right side view of FIG. 1;
FIG. 6 is a top view of FIG. 1; and,
FIG. 7 is a bottom view of FIG. 1.
The broken lines depict features of the package for medical device that form no part of the claimed design.

1 Claim, 5 Drawing Sheets

- (56) **References Cited**
U.S. PATENT DOCUMENTS
- D117,842 S * 11/1939 Post D9/414
- 2,964,227 A * 12/1960 Goldsholl 229/128
- D198,343 S * 6/1964 Beck D9/420
- D250,092 S * 10/1978 Schoenfield et al. D9/414
- D250,748 S * 1/1979 Leger D9/420
- D303,500 S 9/1989 Colla
- D411,103 S 6/1999 Suzuki



(56)

References Cited

U.S. PATENT DOCUMENTS

D581,262 S *	11/2008	Suyama et al.	D9/415	D646,561 S	10/2011	Pugh	
D582,263 S	12/2008	Smith et al.		D668,159 S *	10/2012	Althoff	D9/711
7,677,601 B2	3/2010	Garett		D669,774 S	10/2012	Yamaguchi	
D614,022 S	4/2010	Melnick		8,365,910 B2	2/2013	Valaie et al.	
D618,539 S	6/2010	Ruth		D681,442 S *	5/2013	Kengla	D9/414
D618,540 S	6/2010	Ruth		D682,085 S	5/2013	Hannant et al.	
D625,598 S	10/2010	Ruth		D683,210 S *	5/2013	Cox et al.	D9/420
D625,993 S	10/2010	Tyson et al.		D703,545 S *	4/2014	Limback	D9/652
D628,059 S	11/2010	Perkins-Stanaford et al.		D724,432 S *	3/2015	Limback	D9/457
D632,169 S	2/2011	Ruth		D724,942 S *	3/2015	Mattila et al.	D9/432
D633,380 S	3/2011	Reynolds		2008/0018095 A1	1/2008	Garett	
D640,549 S	6/2011	Atkin et al.		2008/0060975 A1 *	3/2008	Young et al.	206/745
D640,551 S	6/2011	Perkins-Stanaford et al.		2008/0314784 A1 *	12/2008	Schroeder	206/523
				2012/0305426 A1	12/2012	Valaie et al.	
				2013/0104501 A1	5/2013	Valaie et al.	

* cited by examiner

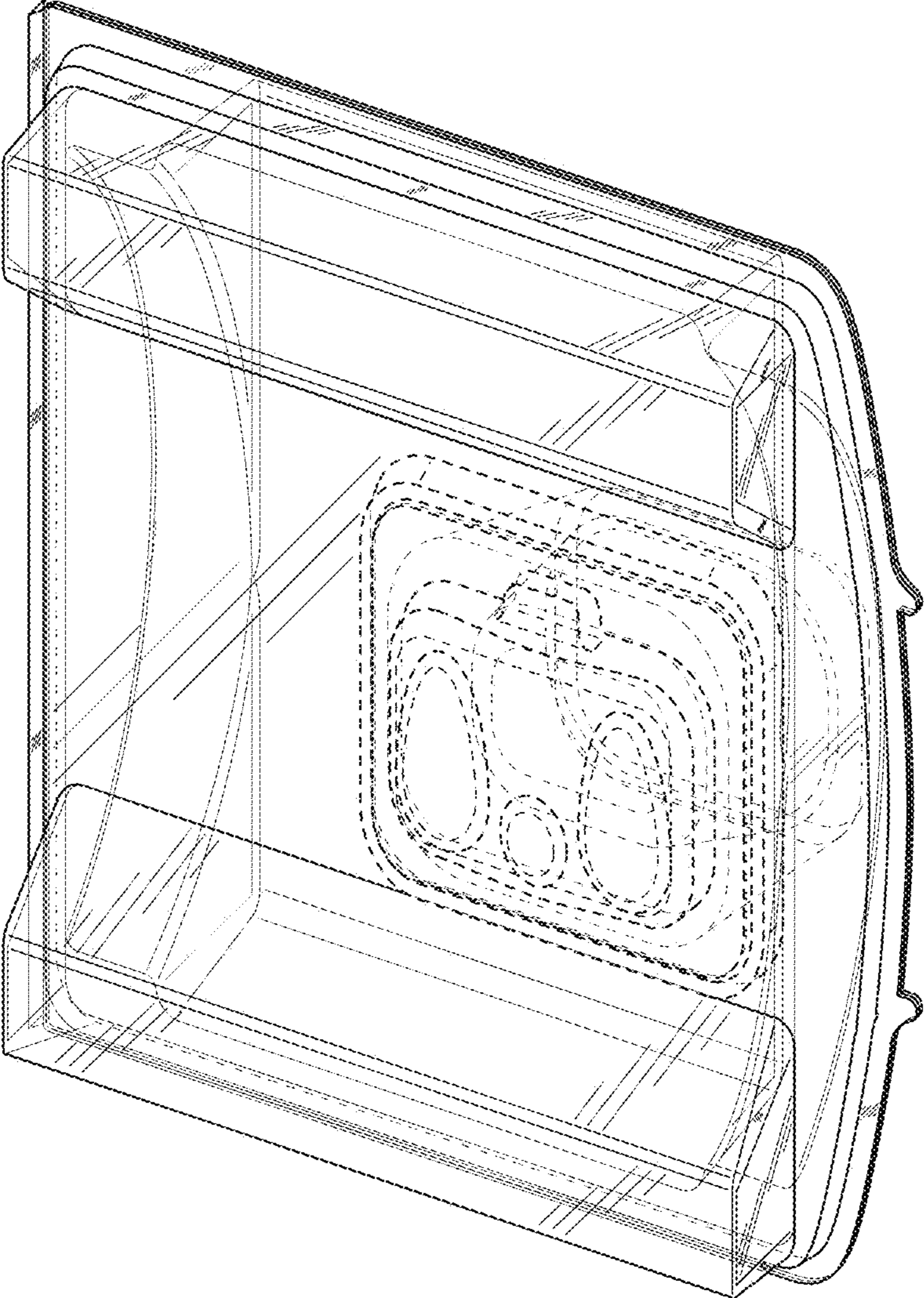


FIG. 1

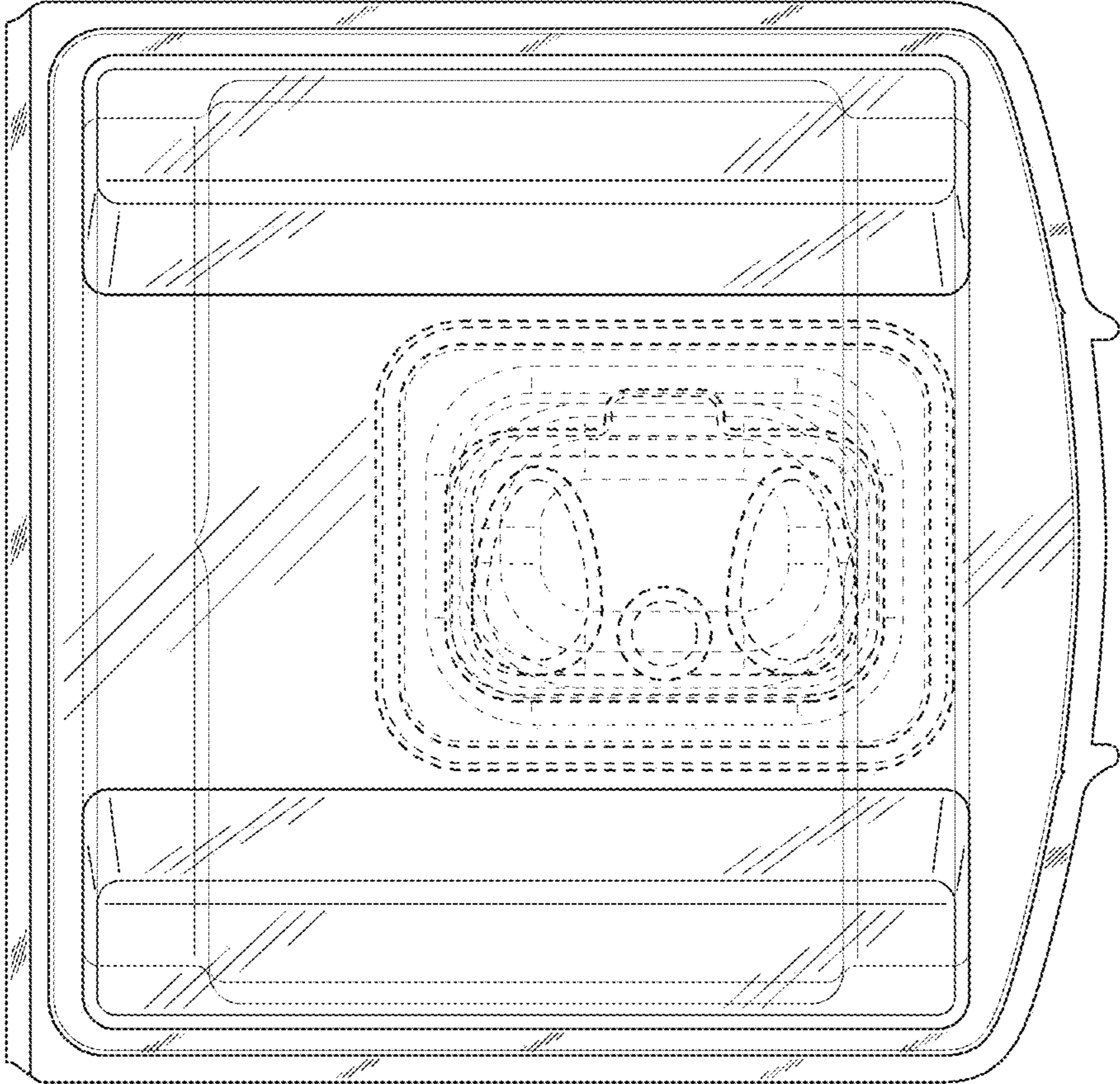


FIG. 2

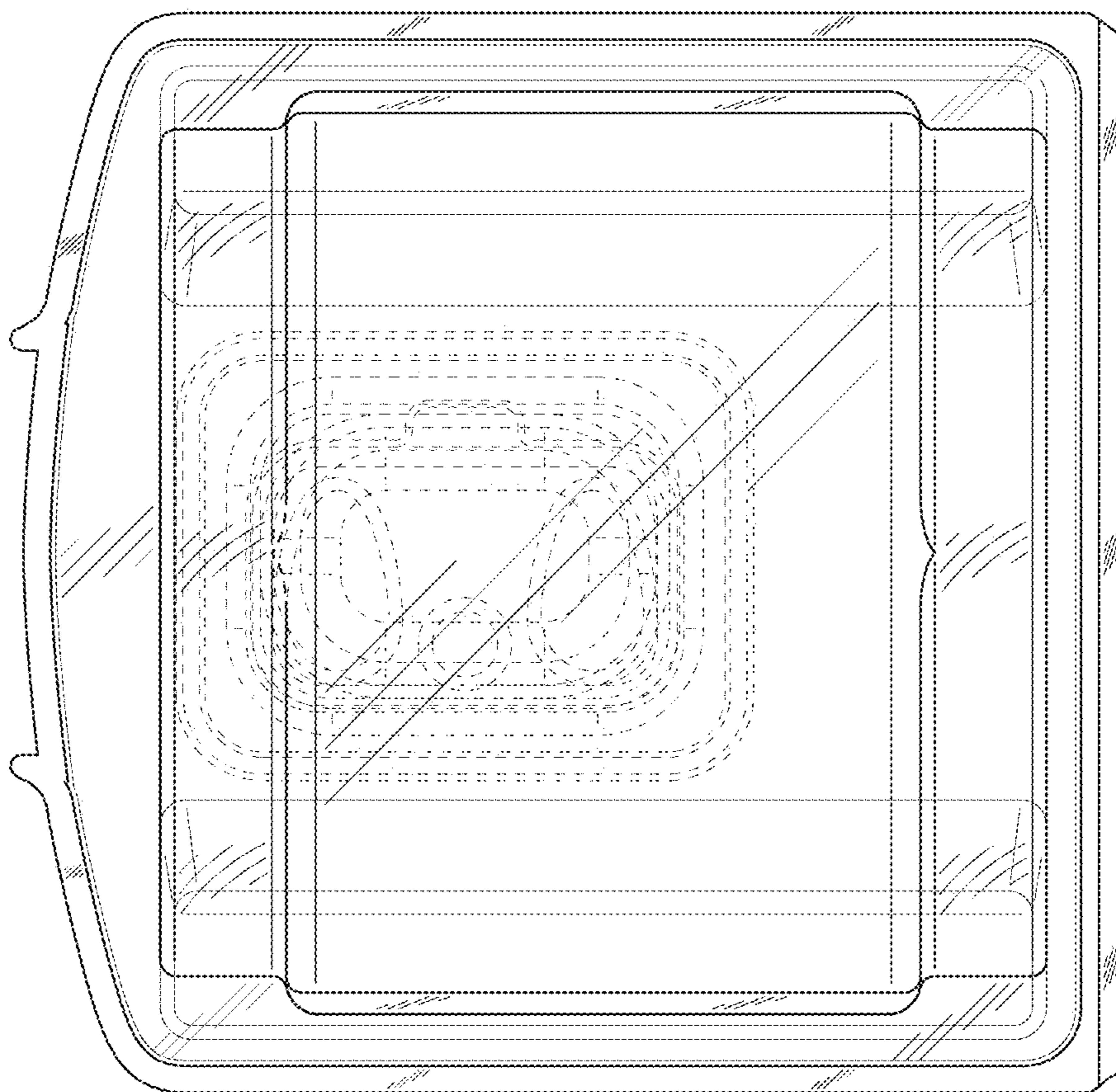


FIG. 3

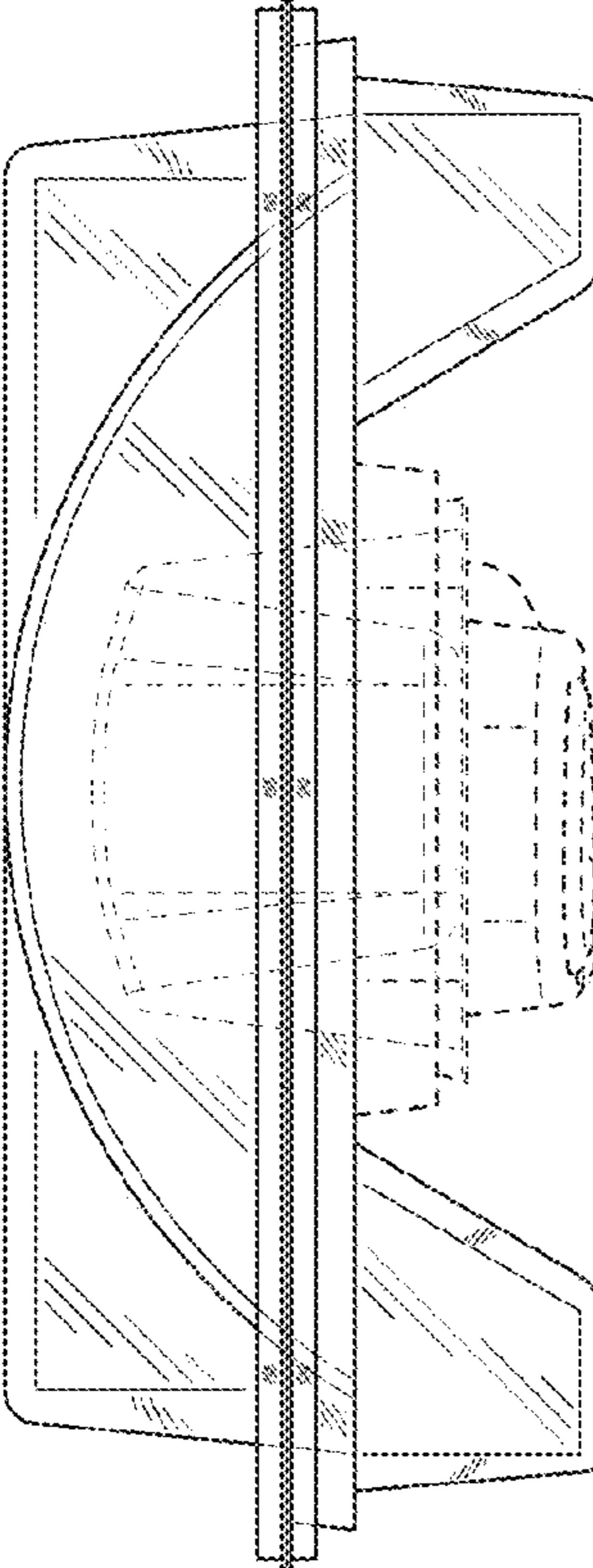


FIG. 4

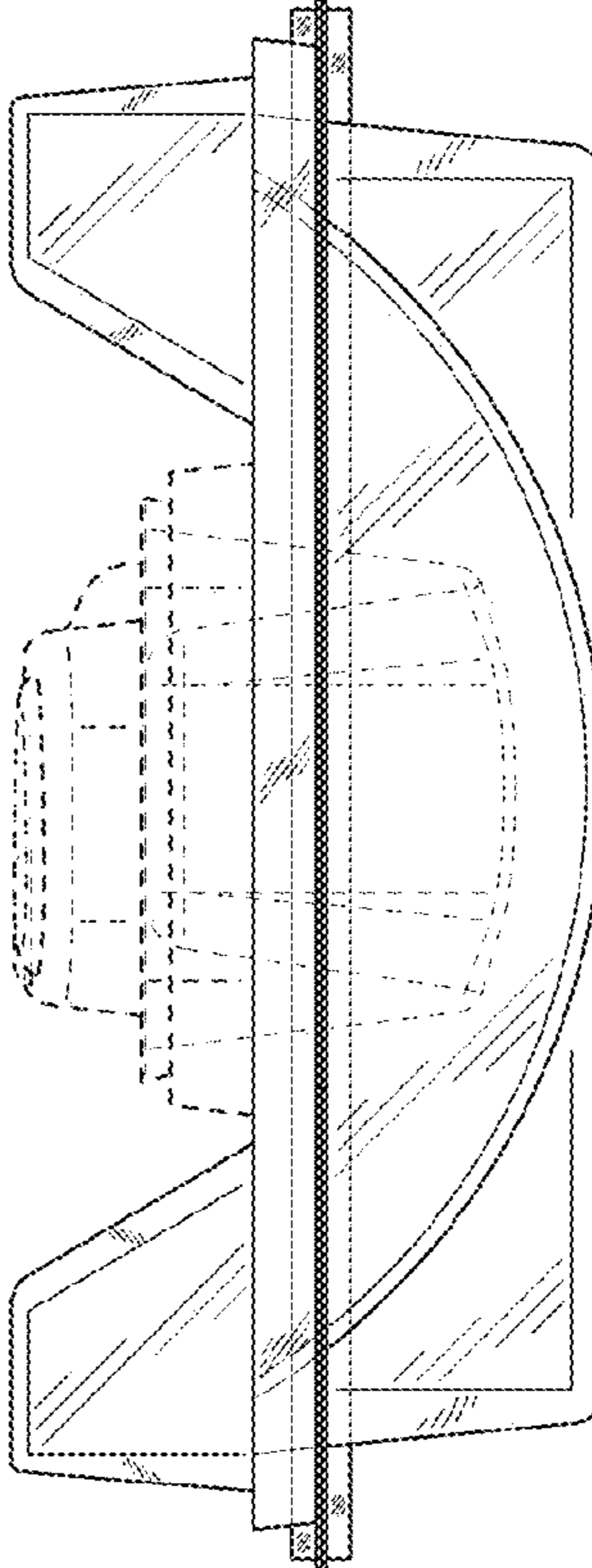


FIG. 5

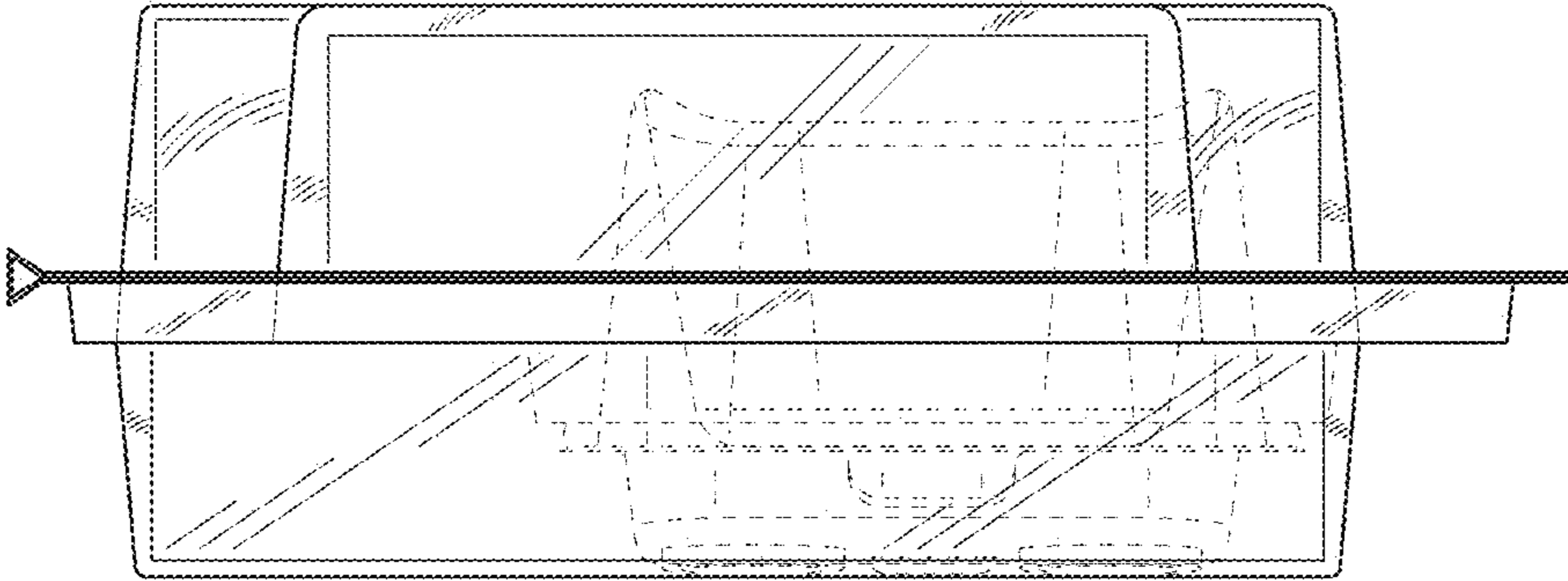


FIG. 6

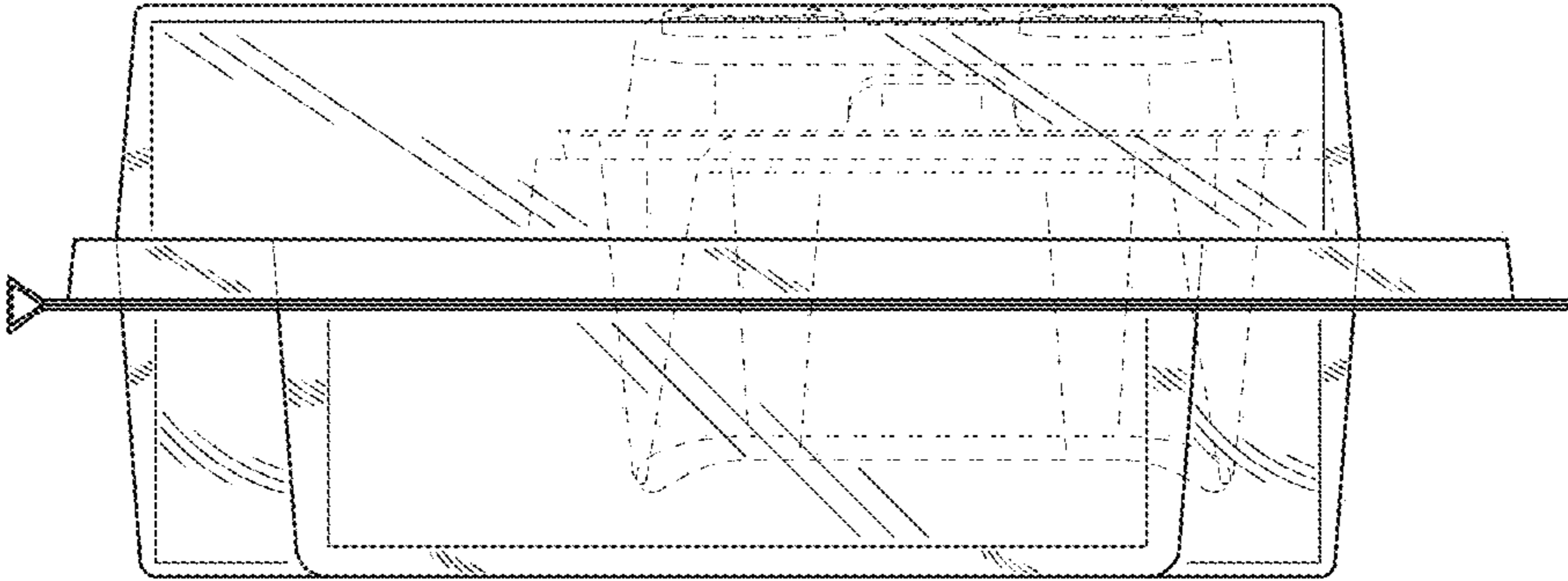


FIG. 7