



US00D747962S

(12) **United States Design Patent**
Astorga et al.

(10) **Patent No.:** **US D747,962 S**
(45) **Date of Patent:** **** Jan. 26, 2016**

(54) **CONTAINER**

(71) Applicant: **Peninsula Packaging Company, LLC**,
Exeter, CA (US)

(72) Inventors: **Ricardo Astorga**, Whittier, CA (US);
Stephen Day, Hollister, CA (US)

(73) Assignee: **PENINSULA PACKAGING**
COMPANY, LLC, Exeter, CA (US)

(**) Term: **14 Years**

(21) Appl. No.: **29/516,553**

(22) Filed: **Feb. 3, 2015**

(51) **LOC (10) Cl.** **09-03**

(52) **U.S. Cl.**
USPC **D9/425**

(58) **Field of Classification Search**
USPC D9/414, 415, 416, 417, 418, 419, 420,
D9/421, 422, 423, 424, 425, 426, 427, 428,
D9/429, 431, 432, 433; D7/619.1, 629;
229/401, 406, 407, 904, 906, 909;
220/656, 657, 659, 662, 665, 669-675,
220/912, 915.1, 4.21-4.25; 206/139, 214,
206/217, 431, 528, 530, 538, 541, 553, 557
CPC A47G 21/14; A47J 47/14; B65D 1/22;
B65D 1/34; B65D 1/36; B65D 1/40; B65D
1/46; B65D 21/083; B65D 21/0234; B65D
43/162; B65D 77/245; B65D 2543/00092;
B65D 2543/00101; B65D 2543/00296; B65D
3/28; B65D 5/4204; B65D 7/46; B65D 85/12;
B65D 85/34; B21D 51/2646; A45C 11/20

See application file for complete search history.

(56) **References Cited**

U.S. PATENT DOCUMENTS

| | | | | | |
|-----------|-----|---------|-----------------|-------|--------------------------|
| D184,525 | S * | 3/1959 | Lurie | | D9/424 |
| 2,939,603 | A | 6/1960 | Young | | |
| 3,253,762 | A * | 5/1966 | Gaunt | | B65D 81/261 206/521.1 |
| 3,351,227 | A | 11/1967 | Collie | | |
| 3,351,270 | A | 11/1967 | Hohnjec | | |
| 3,356,277 | A | 12/1967 | Hohnjec | | |
| 3,396,867 | A | 8/1968 | Garriga | | |
| 3,412,889 | A | 11/1968 | Eicholtz et al. | | |
| 3,416,690 | A | 12/1968 | Michael | | |
| 3,421,682 | A | 1/1969 | Eisenbach | | |
| 3,655,110 | A | 4/1972 | Eisenbach | | |
| 3,786,982 | A | 1/1974 | Rakes et al. | | |
| 3,933,296 | A | 1/1976 | Ruskin et al. | | |
| D272,595 | S | 2/1984 | Chase et al. | | |
| 4,494,650 | A | 1/1985 | Cullen | | |
| 4,512,474 | A | 4/1985 | Harding | | |
| D281,229 | S * | 11/1985 | Tyler | | D9/425 |

(Continued)

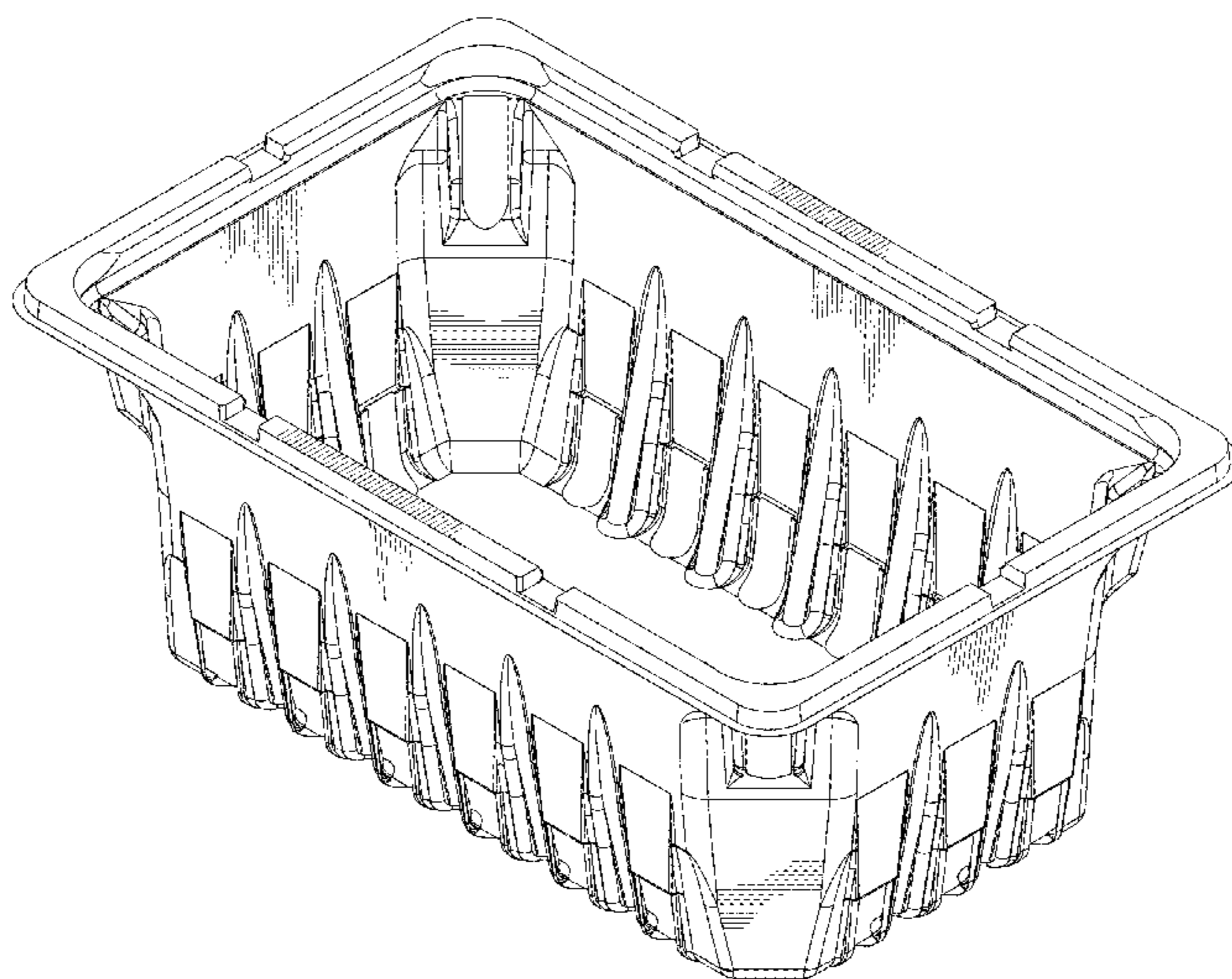
Primary Examiner — Karen S Acker
Assistant Examiner — Wendy Armino
(74) *Attorney, Agent, or Firm* — Loza & Loza LLP; Heidi L. Eisenhut

(57) **CLAIM**
The ornamental design for a container, as shown and described.

DESCRIPTION

FIG. 1 is a front top left side perspective view of a container of the present invention;
FIG. 2 is a bottom rear right side perspective view of the container of FIG. 1;
FIG. 3 is a front elevation view of the container of FIG. 1;
FIG. 4 is a rear elevation view of the container of FIG. 1;
FIG. 5 is a right side elevation view of the container of FIG. 1;
FIG. 6 is a left side elevation view of the container of FIG. 1;
FIG. 7 is a top plan view of the container of FIG. 1; and,
FIG. 8 is a bottom plan view of the container of FIG. 1.

1 Claim, 7 Drawing Sheets



(56)

References Cited

U.S. PATENT DOCUMENTS

| | | | | | | | |
|--------------|------|---------|-------------------|-------------------------|--|--|--|
| 4,576,330 | A | 3/1986 | Schepp | | | | |
| 4,593,816 | A | 6/1986 | Langenbeck | | | | |
| D288,295 | S * | 2/1987 | Holden | D9/425 | | | |
| 4,886,204 | A | 12/1989 | Kalmanides | | | | |
| 4,892,220 | A | 1/1990 | Foos | | | | |
| 5,012,928 | A | 5/1991 | Proffitt et al. | | | | |
| D318,420 | S | 7/1991 | Amelse | | | | |
| 5,031,774 | A | 7/1991 | Morris et al. | | | | |
| 5,046,659 | A | 9/1991 | Warburton | | | | |
| 5,071,026 | A | 12/1991 | Apps | | | | |
| 5,092,479 | A | 3/1992 | Wells | | | | |
| 5,156,267 | A | 10/1992 | Yates, Jr. et al. | | | | |
| 5,169,014 | A | 12/1992 | Hexamer | | | | |
| D341,461 | S * | 11/1993 | Davidson | D3/312 | | | |
| D343,576 | S | 1/1994 | Krupa | | | | |
| 5,377,860 | A | 1/1995 | Littlejohn et al. | | | | |
| D361,035 | S | 8/1995 | Krupa | | | | |
| D361,036 | S | 8/1995 | Krupa | | | | |
| 5,456,379 | A | 10/1995 | Krupa et al. | | | | |
| D363,879 | S | 11/1995 | Krupa et al. | | | | |
| 5,497,894 | A | 3/1996 | Krupa et al. | | | | |
| 5,515,993 | A | 5/1996 | McManus | | | | |
| 5,584,408 | A | 12/1996 | Orkisz | | | | |
| D378,192 | S | 2/1997 | Krupa et al. | | | | |
| D382,112 | S | 8/1997 | Egan | | | | |
| D382,795 | S | 8/1997 | Abayhan et al. | | | | |
| 5,653,345 | A | 8/1997 | Knoss et al. | | | | |
| 5,711,978 | A | 1/1998 | Breen et al. | | | | |
| 5,730,311 | A * | 3/1998 | Curtis | B65D 21/0222 206/508 | | | |
| 5,758,791 | A | 6/1998 | Mangla | | | | |
| 5,833,116 | A | 11/1998 | Guillin | | | | |
| 5,860,549 | A | 1/1999 | Allers et al. | | | | |
| D409,485 | S | 5/1999 | Christy, Jr. | | | | |
| 5,979,687 | A | 11/1999 | Hayes et al. | | | | |
| 5,992,628 | A | 11/1999 | Vermilion et al. | | | | |
| D419,375 | S * | 1/2000 | Mangla | D7/387 | | | |
| 6,079,554 | A | 6/2000 | Hammett et al. | | | | |
| 6,085,930 | A | 7/2000 | Curtis | | | | |
| D438,100 | S | 2/2001 | Cekota | | | | |
| D446,719 | S * | 8/2001 | Garraway | D9/425 | | | |
| D451,278 | S | 12/2001 | Cooper | | | | |
| D461,123 | S * | 8/2002 | Hayes | D9/425 | | | |
| D467,496 | S | 12/2002 | Hayes et al. | | | | |
| 6,508,395 | B2 | 1/2003 | McLeod | | | | |
| 6,588,612 | B1 | 7/2003 | Dorn et al. | | | | |
| D478,282 | S | 8/2003 | Hayes et al. | | | | |
| 6,644,494 | B2 | 11/2003 | Hayes et al. | | | | |
| 6,666,348 | B2 | 12/2003 | Fore et al. | | | | |
| D490,278 | S | 5/2004 | Welsh | | | | |
| D493,672 | S | 8/2004 | Jalet et al. | | | | |
| 6,845,878 | B2 | 1/2005 | Hayes et al. | | | | |
| D506,147 | S | 6/2005 | Hall | | | | |
| D509,106 | S | 9/2005 | de Groote et al. | | | | |
| D514,389 | S | 2/2006 | Luna et al. | | | | |
| D531,802 | S | 11/2006 | Zimmerman | | | | |
| 7,204,388 | B2 | 4/2007 | Galland et al. | | | | |
| D544,755 | S | 6/2007 | Diesman | | | | |
| 7,243,813 | B2 | 7/2007 | Krueger | | | | |
| 7,246,714 | B2 | 7/2007 | Garg et al. | | | | |
| 7,255,231 | B2 | 8/2007 | Andrews et al. | | | | |
| D566,483 | S | 4/2008 | Tucker et al. | | | | |
| D569,243 | S | 5/2008 | Kidd et al. | | | | |
| D579,326 | S | 10/2008 | Chen | | | | |
| 7,441,672 | B2 | 10/2008 | Cadiente et al. | | | | |
| 7,472,799 | B2 | 1/2009 | Cadiente et al. | | | | |
| D591,148 | S | 4/2009 | Parikh et al. | | | | |
| 7,597,206 | B2 | 10/2009 | Atkins et al. | | | | |
| D604,604 | S | 11/2009 | Strange | | | | |
| D606,811 | S | 12/2009 | Furlong | | | | |
| D607,282 | S | 1/2010 | Furlong | | | | |
| D621,222 | S | 8/2010 | Heiberg et al. | | | | |
| 7,784,615 | B2 | 8/2010 | Stahl | | | | |
| 7,819,279 | B2 | 10/2010 | Galland et al. | | | | |
| D628,472 | S * | 12/2010 | Strange | D9/425 | | | |
| 7,866,502 | B2 | 1/2011 | Maxwell | | | | |
| D663,525 | S * | 7/2012 | Rhoades | D3/314 | | | |
| D678,050 | S | 3/2013 | Birchmeier et al. | | | | |
| D687,704 | S * | 8/2013 | Knight | D9/425 | | | |
| D688,941 | S | 9/2013 | Sifuentes et al. | | | | |
| D696,938 | S | 1/2014 | BeVier et al. | | | | |
| D720,990 | S | 1/2015 | Jacobs et al. | | | | |
| D723,339 | S | 3/2015 | Maxwell et al. | | | | |
| D723,340 | S | 3/2015 | Maxwell et al. | | | | |
| 2003/0052133 | A1 | 3/2003 | Hayes et al. | | | | |
| 2003/0152670 | A1 | 8/2003 | Shih | | | | |
| 2003/0192888 | A1 | 10/2003 | Chang | | | | |
| 2003/0198714 | A1 | 10/2003 | Cadiente et al. | | | | |
| 2005/0040068 | A1 | 2/2005 | Palder | | | | |
| 2005/0167317 | A1 | 8/2005 | Barrett et al. | | | | |
| 2005/0247709 | A1 | 11/2005 | Atkins et al. | | | | |
| 2006/0289550 | A1 | 12/2006 | Guardigli | | | | |
| 2007/0045631 | A1 | 3/2007 | Endo et al. | | | | |
| 2007/0095848 | A1 | 5/2007 | Galland et al. | | | | |
| 2008/0000800 | A1 | 1/2008 | LaMarche et al. | | | | |
| 2008/0023472 | A1 | 1/2008 | Brandt | | | | |
| 2008/0135556 | A1 | 6/2008 | Bontrager et al. | | | | |
| 2009/0065514 | A1 | 3/2009 | Vovan | | | | |
| 2009/0134179 | A1 | 5/2009 | Kidd et al. | | | | |
| 2009/0134180 | A1 | 5/2009 | Kidd et al. | | | | |
| 2009/0223966 | A1 | 9/2009 | Kidd et al. | | | | |
| 2010/0155289 | A1 * | 6/2010 | Nazareth | B65D 43/0241 206/557 | | | |

* cited by examiner

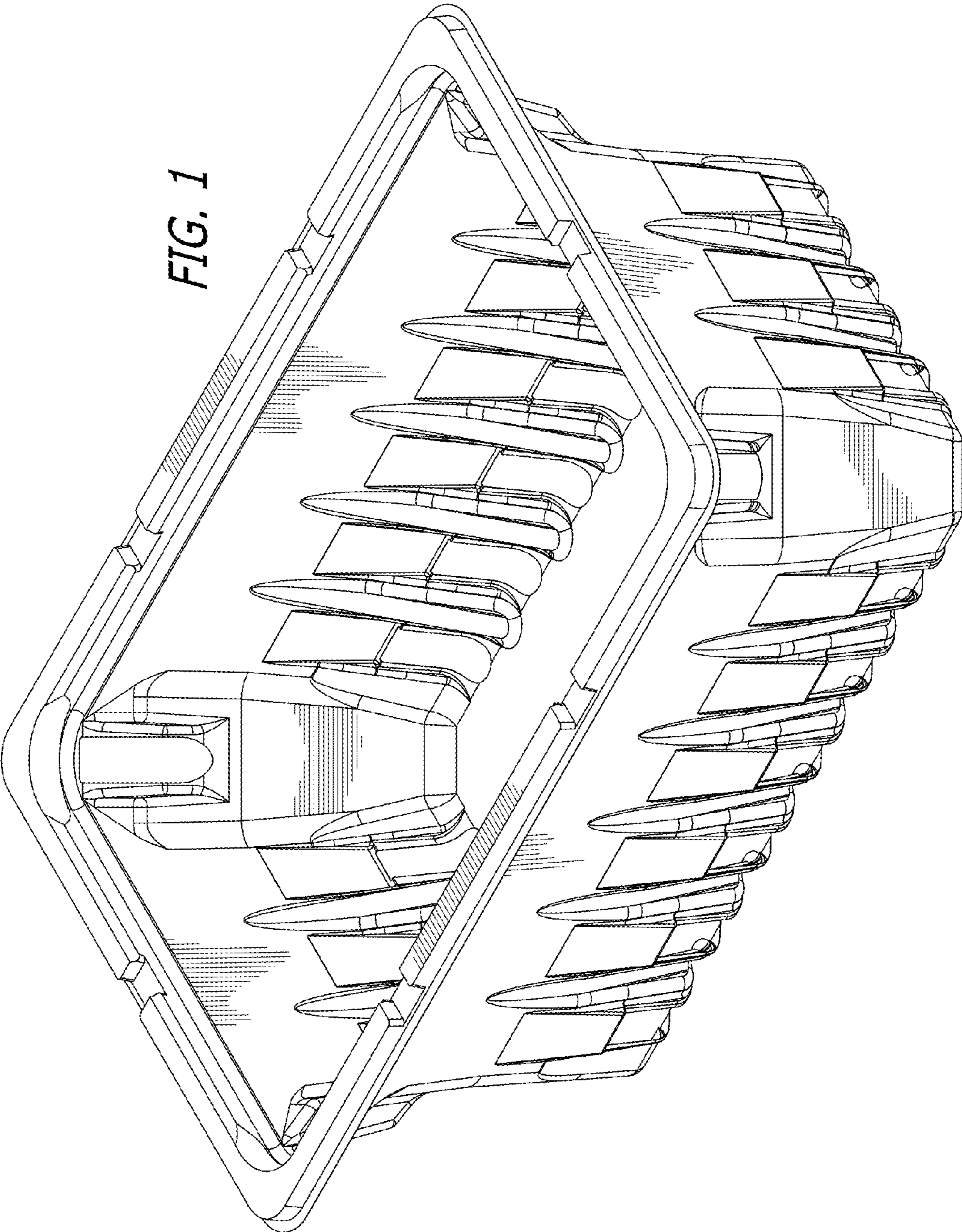


FIG. 1

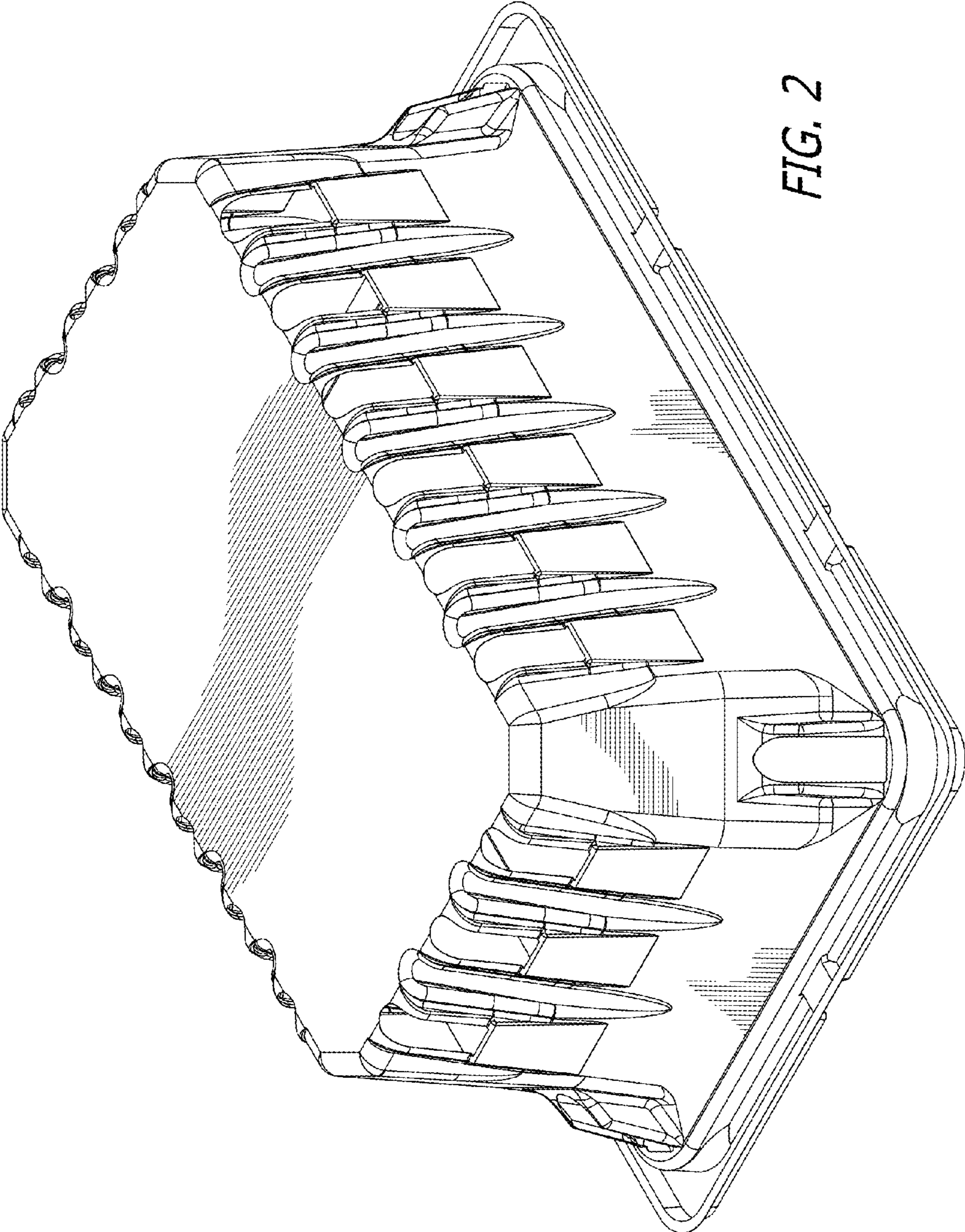


FIG. 2

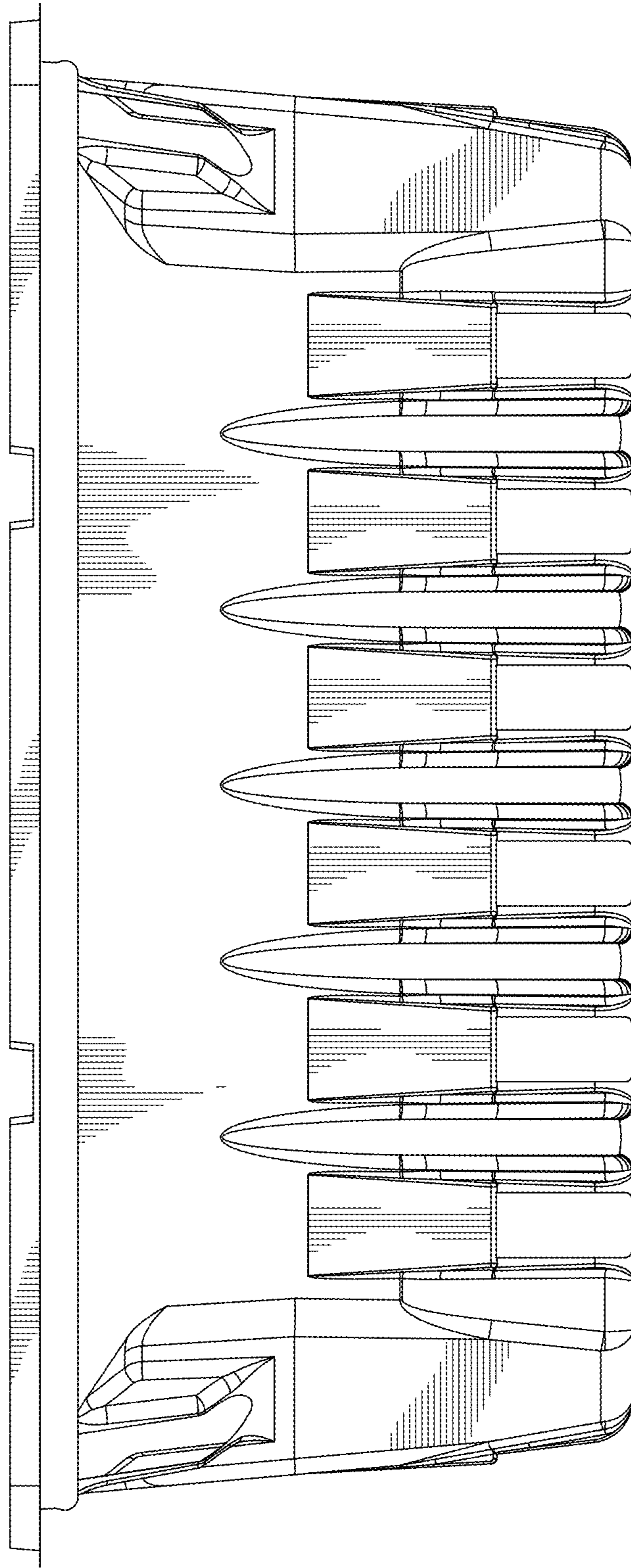


FIG. 3

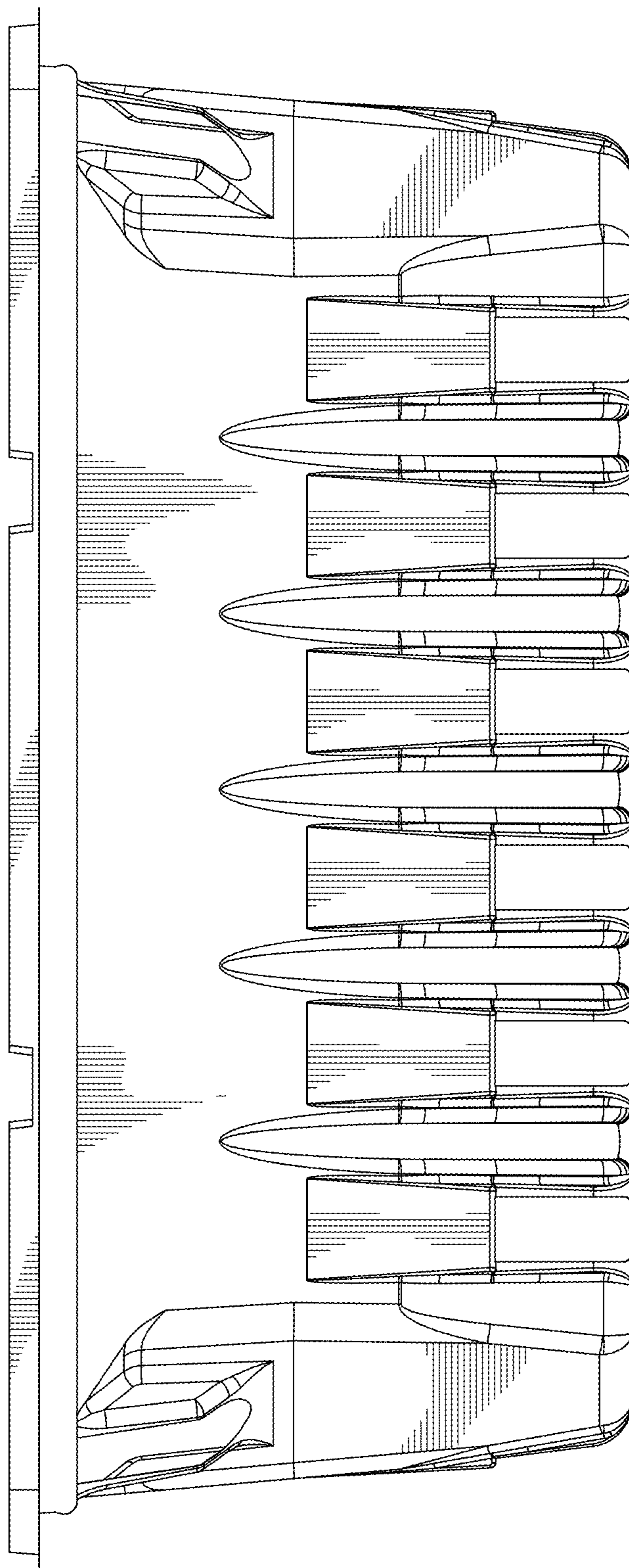


FIG. 4

FIG. 5

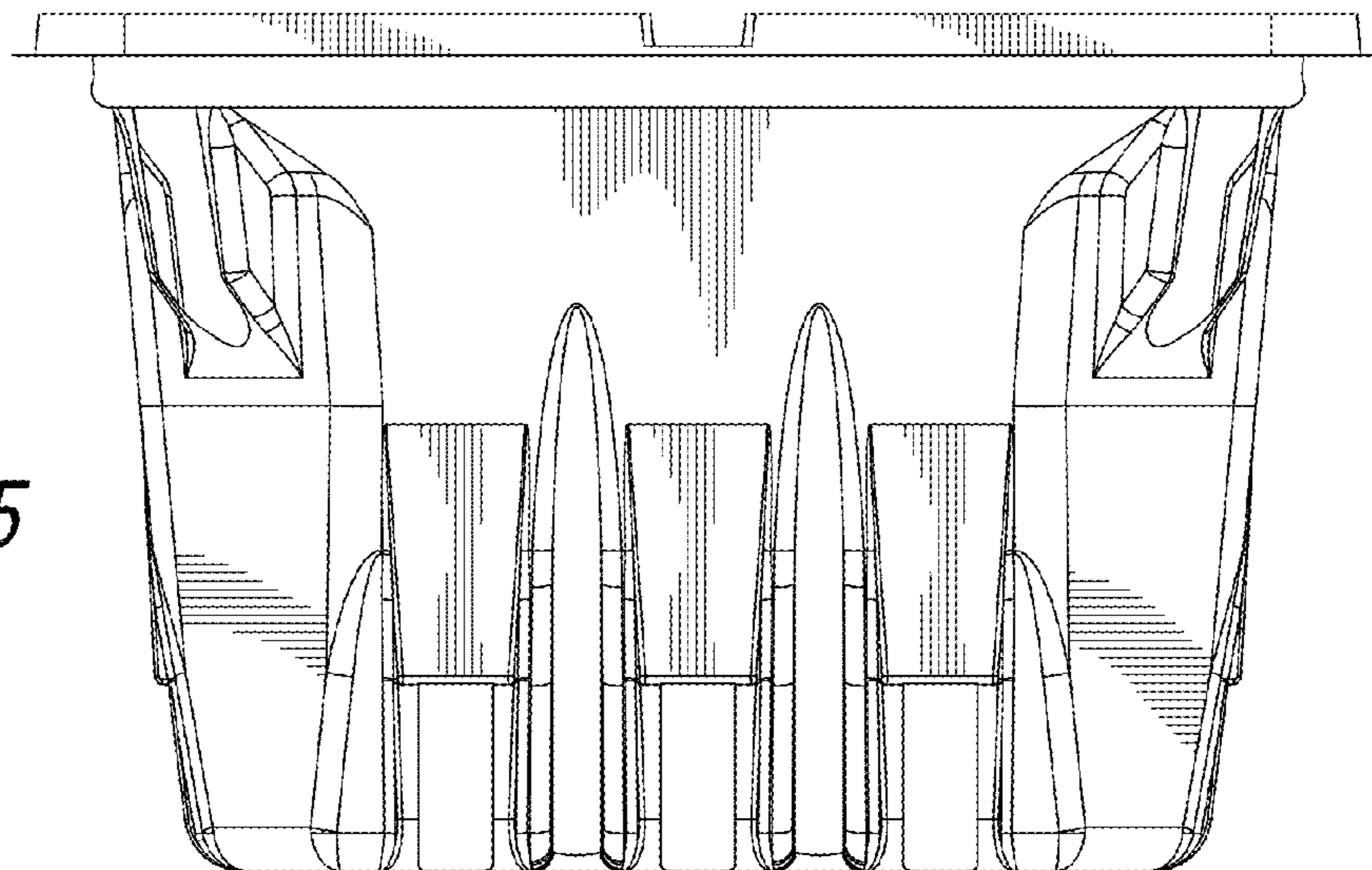
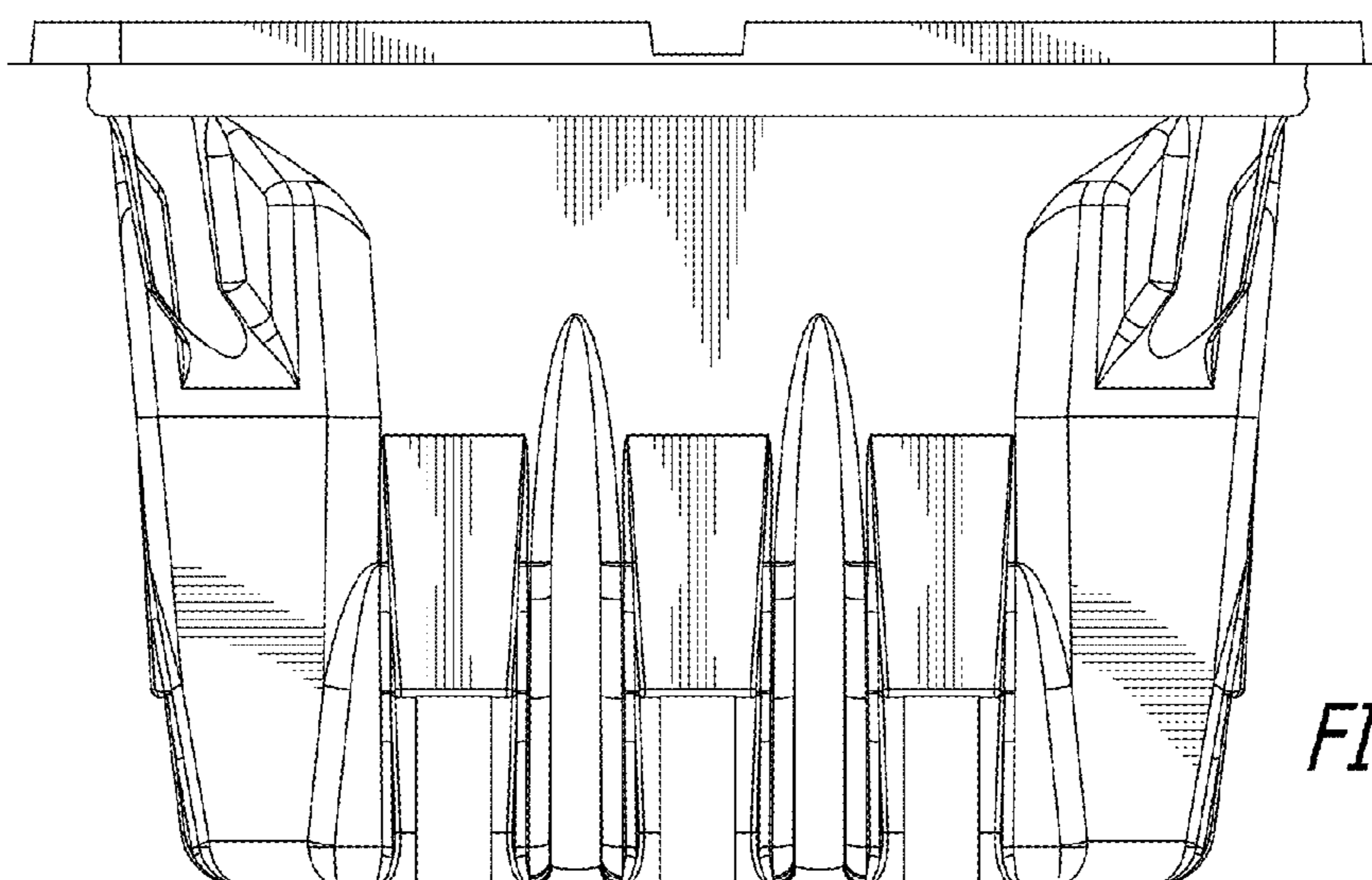


FIG. 6



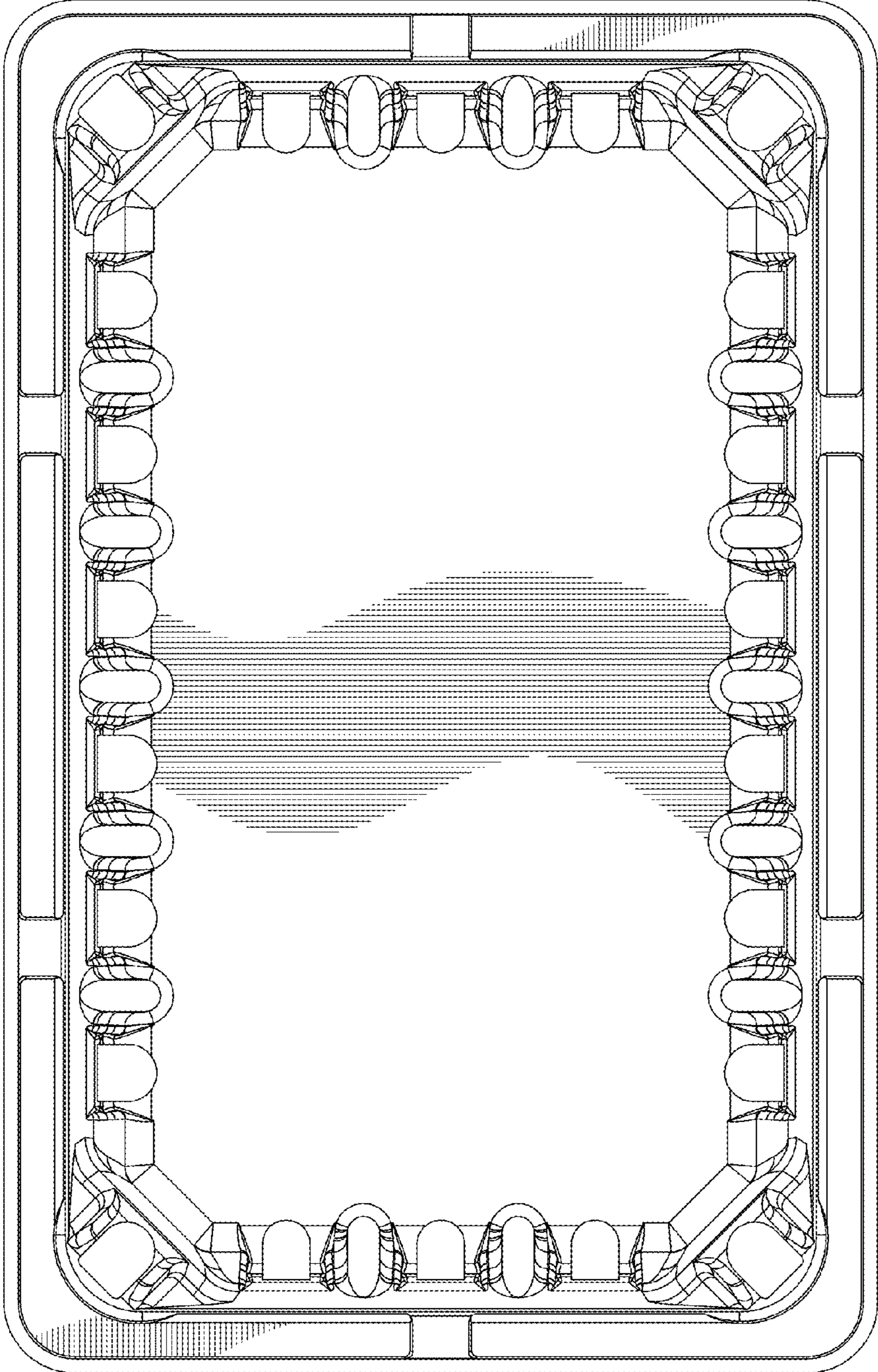


FIG. 7

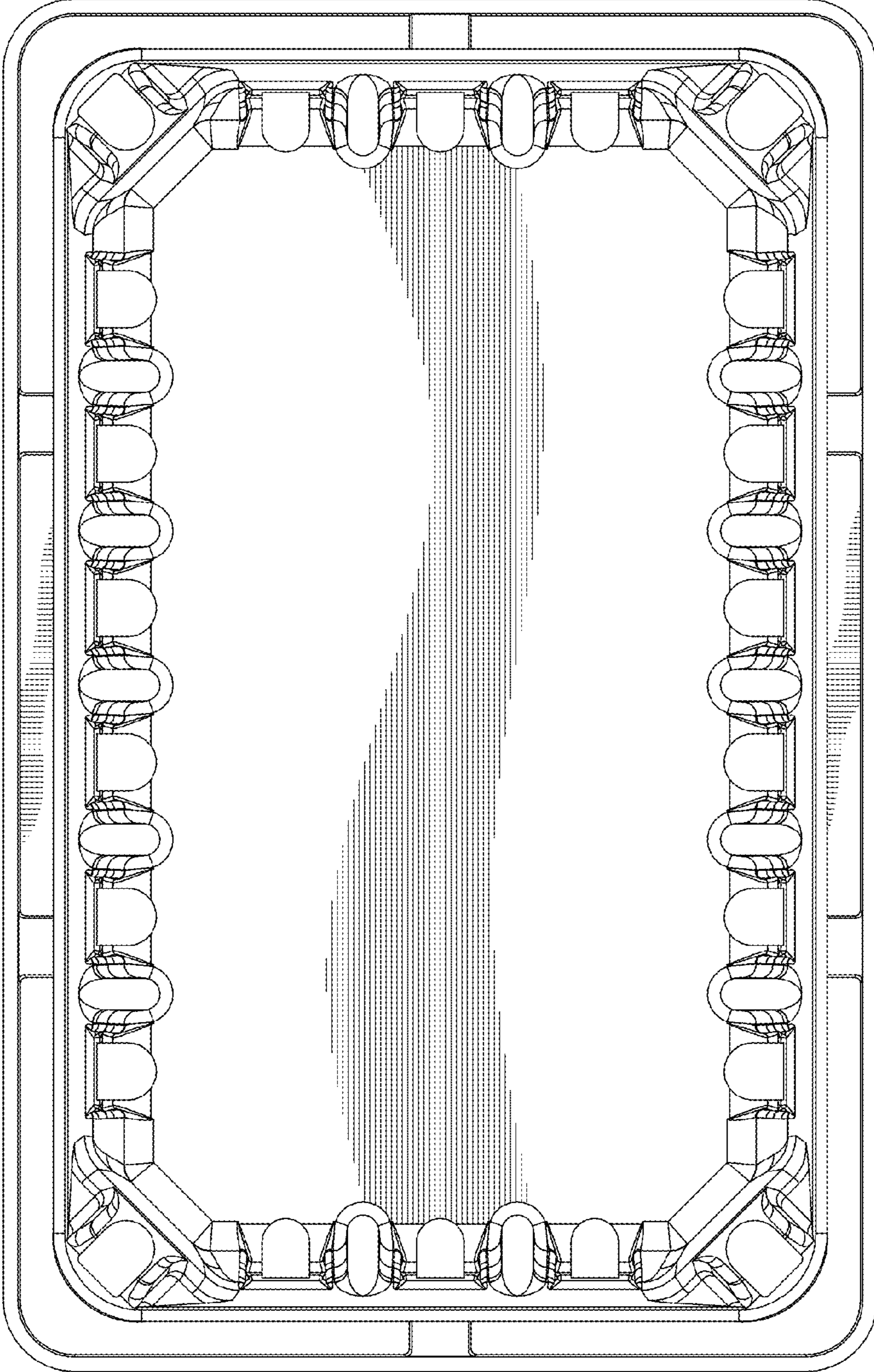


FIG. 8