



US00D747961S

(12) **United States Design Patent**
Tamm

(10) **Patent No.:** **US D747,961 S**
(45) **Date of Patent:** **** Jan. 26, 2016**

(54) **CONTAINER INCLUDING A LID**
(71) Applicant: **Globalsun OU**, Tallinn (EE)
(72) Inventor: **Jaan Tamm**, Tallinn (EE)
(73) Assignee: **Globalsun OU**, Tallinn (EE)
(**) Term: **14 Years**

(21) Appl. No.: **29/483,059**

(22) Filed: **Feb. 25, 2014**

(30) **Foreign Application Priority Data**

Sep. 3, 2013 (EM) 002301523

(51) **LOC (10) Cl.** **09-03**

(52) **U.S. Cl.**
USPC **D9/420**

(58) **Field of Classification Search**
USPC D9/420, 423–425, 427–428, 430, 432,
D9/434–435, 447, 449, 454, 500, 503–505,
D9/516, 518, 523–524, 548, 549, 558,
D9/572–575, 715–716, 719; D7/507,
D7/509–511, 523, 589–591, 597, 612, 615,
D7/629–630, 391–392
CPC B65D 1/00; B65D 1/26; B65D 1/265;
B65D 17/00; B65D 17/02; B65D 23/00;
B65D 81/00; B65D 81/34; B65D 81/3446;
B65D 81/3453; B65D 2501/00; B65D
2501/0009

See application file for complete search history.

(56) **References Cited**

U.S. PATENT DOCUMENTS

D418,068 S * 12/1999 Robbins, III D10/46.2
D439,159 S * 3/2001 Chen D9/425
D501,368 S * 2/2005 Roth et al. D7/629

D510,867 S * 10/2005 Uzkan D9/504
D592,500 S * 5/2009 Colacitti D7/354
D606,812 S * 12/2009 Wu D7/629
D614,950 S * 5/2010 Colacitti D7/354
D649,033 S * 11/2011 Epstein D9/425
D655,159 S * 3/2012 Killandi D9/435
D656,367 S * 3/2012 Segal D7/629
D660,148 S * 5/2012 Killandi D9/438
D664,427 S * 7/2012 Chen D9/425
D690,586 S * 10/2013 Taylor D9/421
D702,509 S * 4/2014 Segal D7/629
D724,903 S * 3/2015 Chen D7/629
2004/0007583 A1 * 1/2004 Lin B65D 43/162
220/835

* cited by examiner

Primary Examiner — Dana L Meyrow

(74) *Attorney, Agent, or Firm* — Oblon, McClelland, Maier & Neustadt, L.L.P.

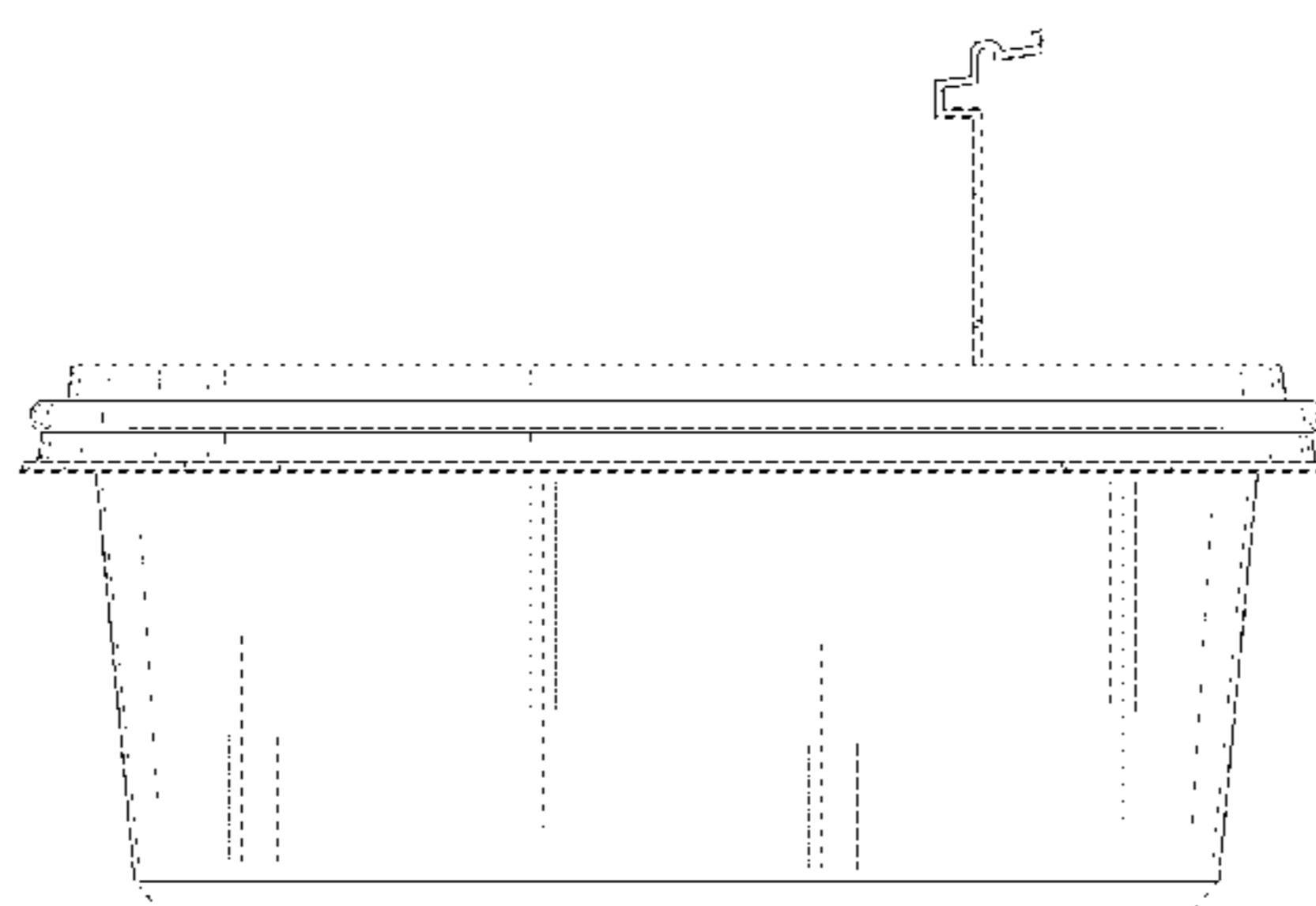
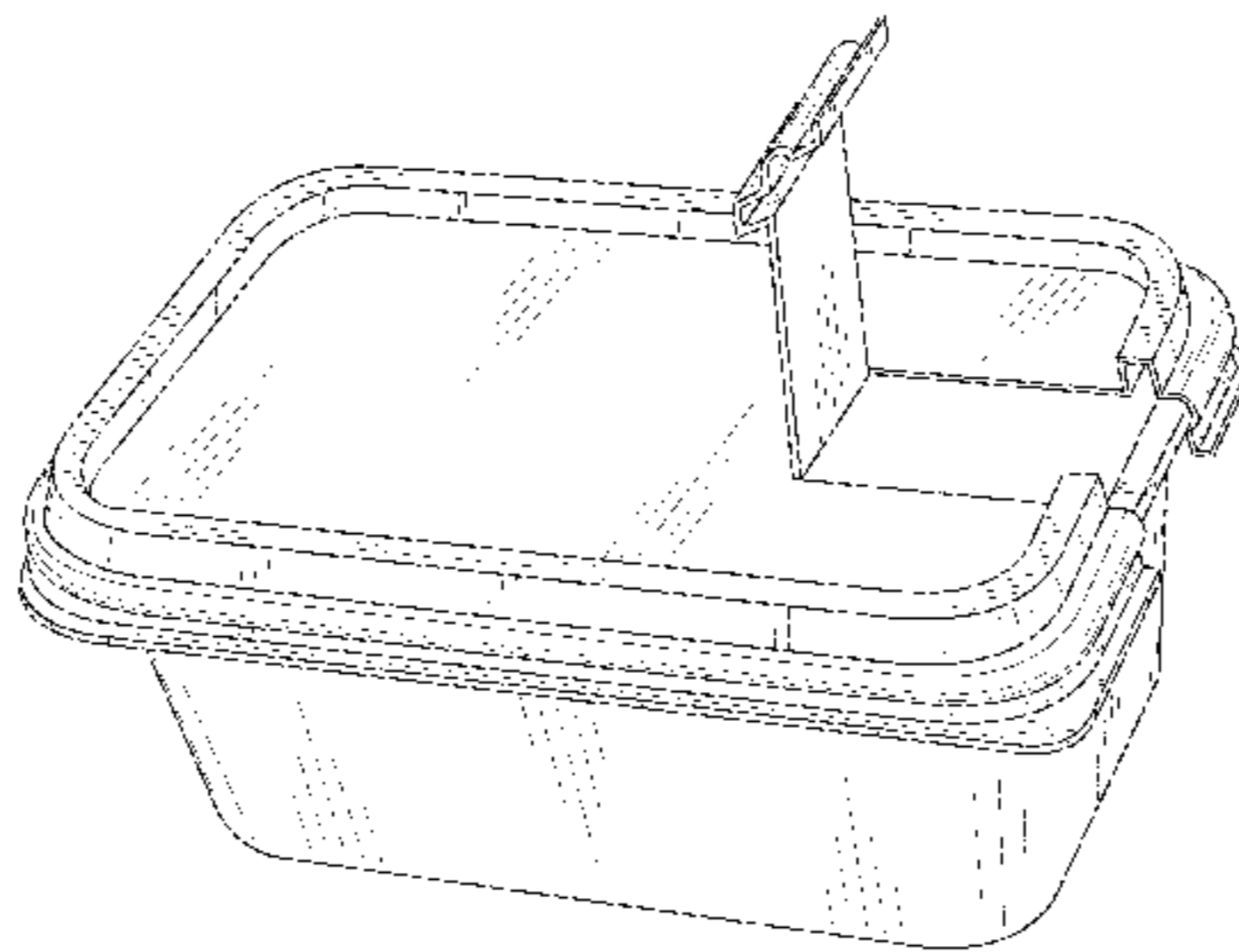
(57) **CLAIM**

The ornamental design for a container including a lid, as shown and described.

DESCRIPTION

FIG. 1 is a front, top, and left side perspective view of a container including a lid;
FIG. 2 is a front elevational view thereof;
FIG. 3 is a left side elevational view thereof, the right side elevational view being a mirror image of the left side elevational view shown;
FIG. 4 is a top plan view thereof, showing an opening of the lid in a closed position; and,
FIG. 5 is a front elevational view thereof, showing an opening of the lid in a closed position.
The broken lines in the drawings depict environmental subject matter only and form no part of the claimed design.

1 Claim, 5 Drawing Sheets



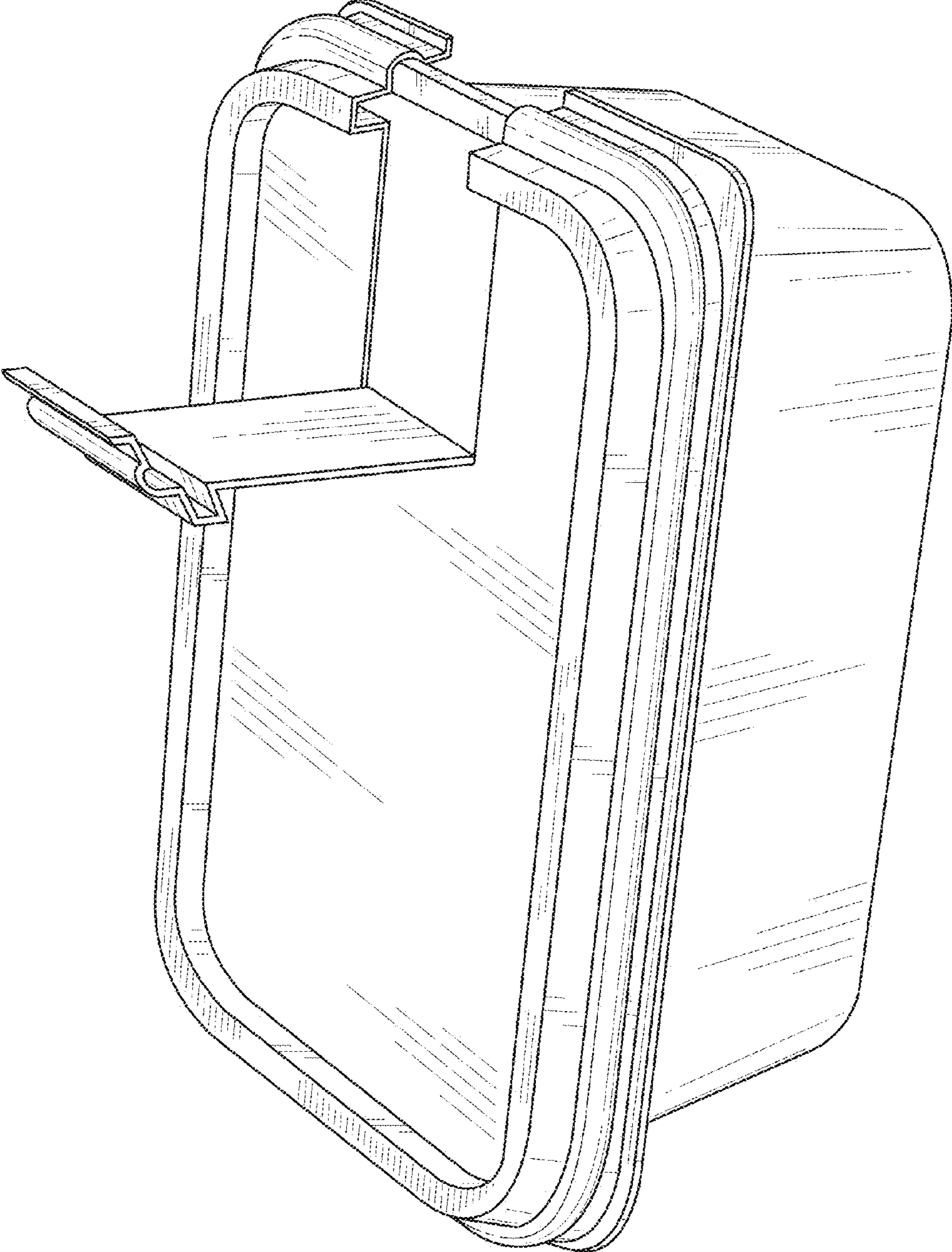


FIG. 1

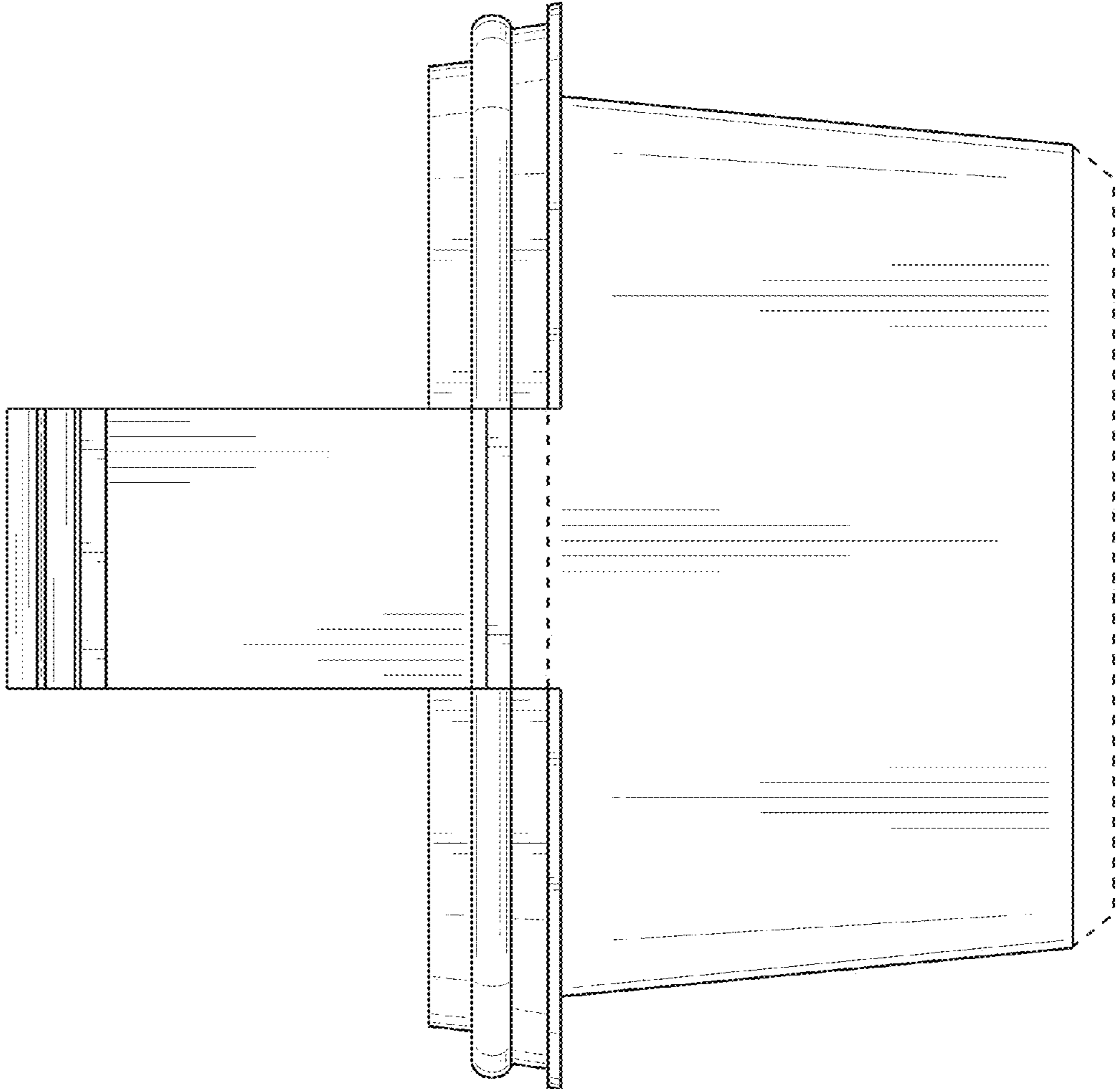


FIG. 2

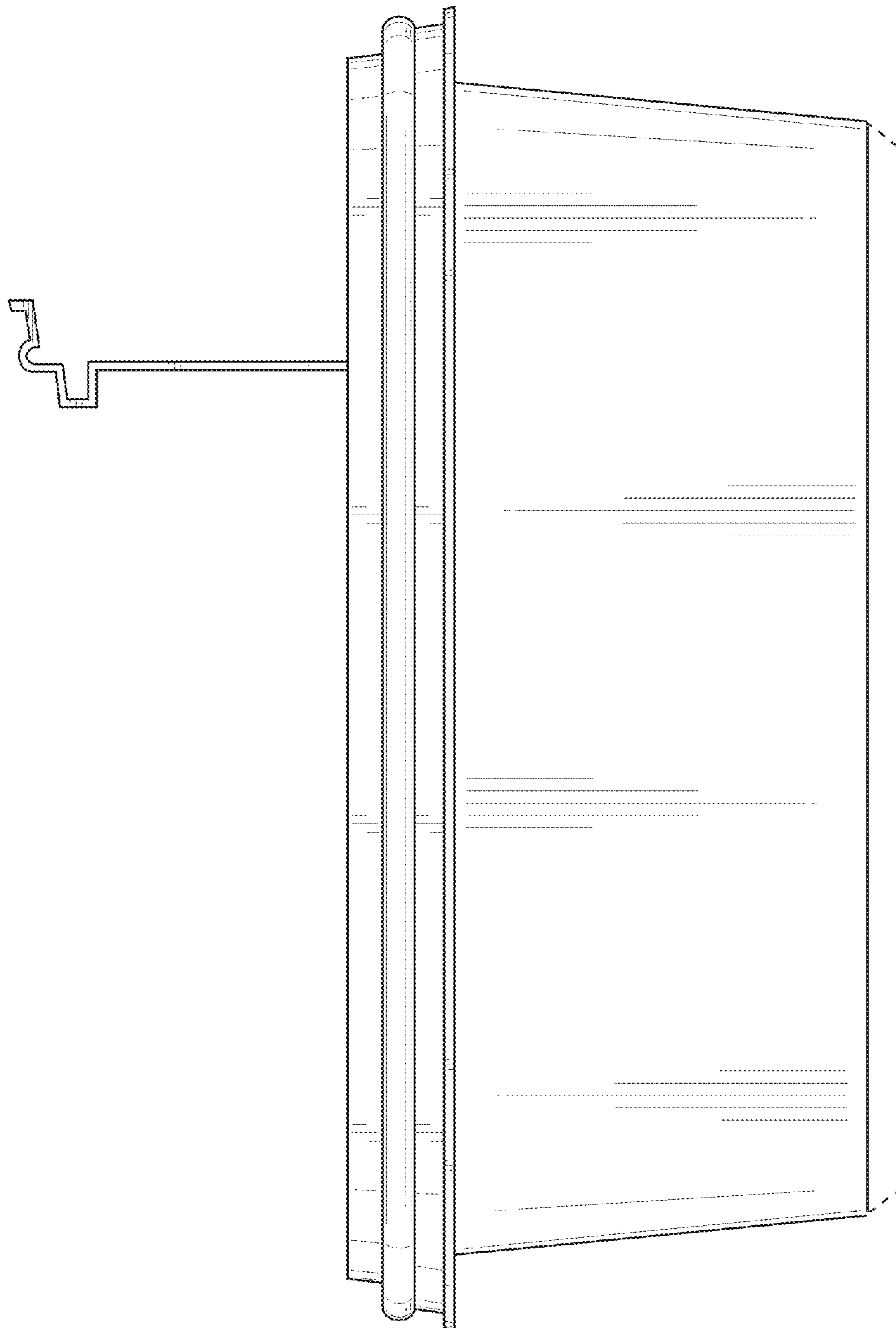


FIG. 3

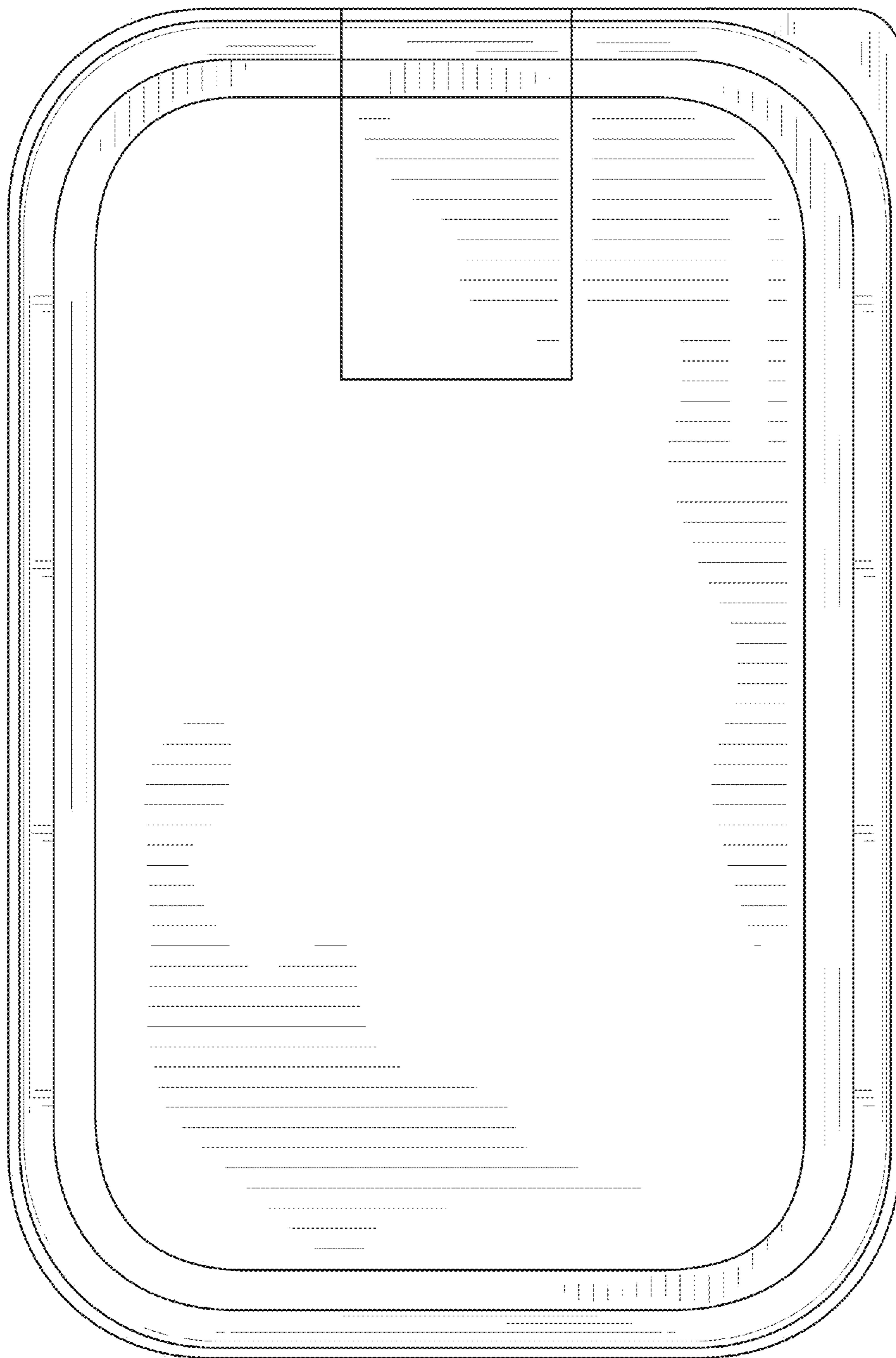


FIG. 4

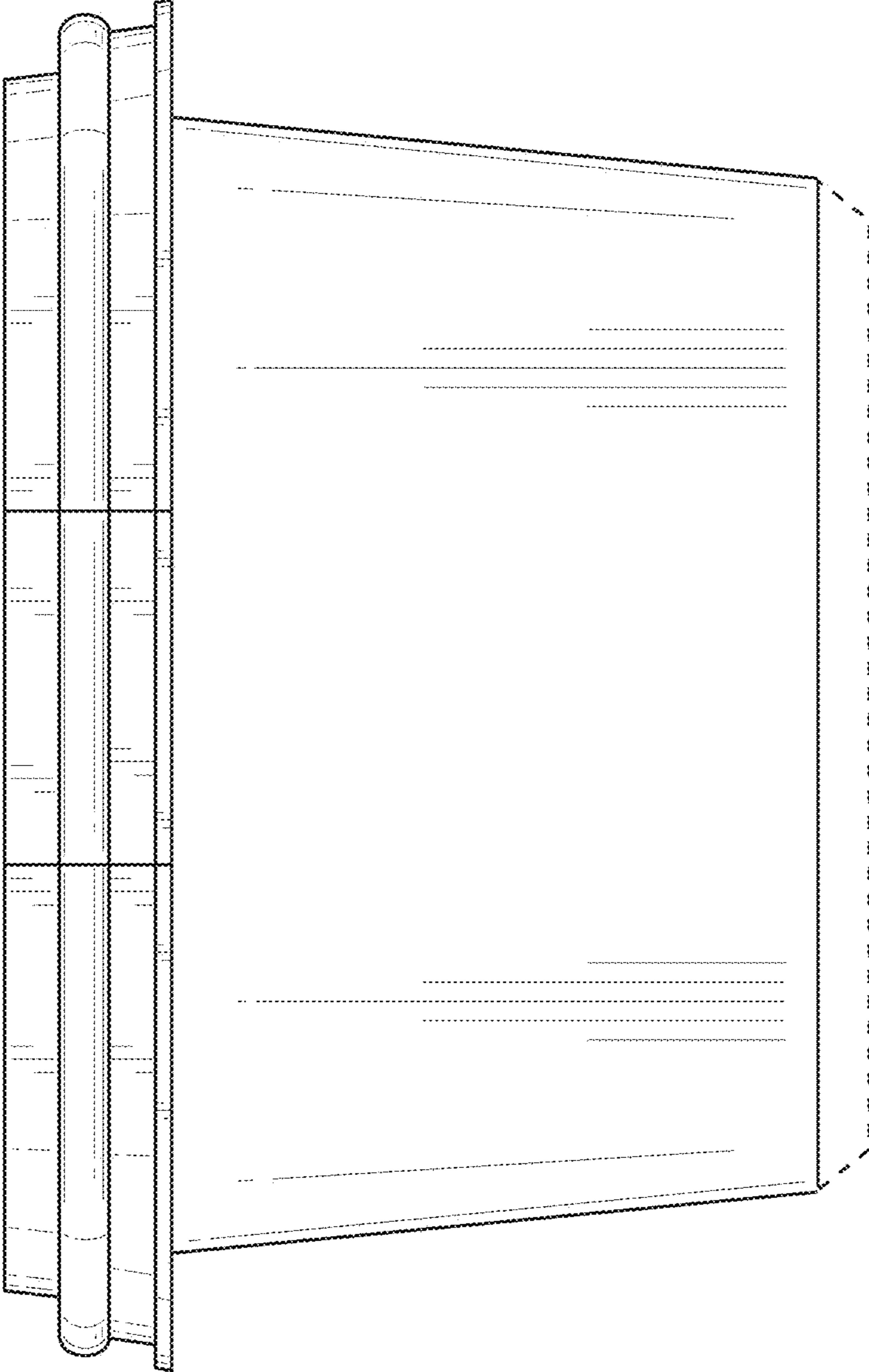


FIG. 5