



US00D747960S

(12) **United States Design Patent**
Sculler

(10) **Patent No.:** **US D747,960 S**
(45) **Date of Patent:** **** Jan. 26, 2016**

- (54) **BOTTLE CONTAINER**
- (71) Applicant: **Bell'O International Corp.**,
Morganville, NJ (US)
- (72) Inventor: **Steven J. Sculler**, Morganville, NJ (US)
- (73) Assignee: **Bell'O International Corp.**, Delray
Beach, FL (US)

D656,008	S	*	3/2012	Meech et al.	D9/415
D684,457	S	*	6/2013	Salow et al.	D9/415
D691,893	S	*	10/2013	Finlay et al.	D9/658
D698,267	S	*	1/2014	Wagner	D9/753
D710,194	S	*	8/2014	Roesler	D9/432
D711,734	S	*	8/2014	Kim et al.	D9/415
D715,658	S	*	10/2014	Callaghan	D9/730
2004/0217139	A1	*	11/2004	Roth et al.	224/148.7
2005/0211754	A1	*	9/2005	Fulcher	229/117.3
2009/0008286	A1	*	1/2009	Croft et al.	206/540

(**) Term: **14 Years**

(21) Appl. No.: **29/473,677**

(22) Filed: **Nov. 25, 2013**

(51) **LOC (10) Cl.** **09-03**

(52) **U.S. Cl.**
USPC **D9/418**

(58) **Field of Classification Search**
USPC D9/418, 415, 416, 753, 431-433, 529,
D9/658, 730, 455; 229/89, 117.3; 220/830,
220/8; 24/3.8; 206/69; D3/323, 298;
D14/248; 224/148.7
CPC B65D 23/0842; B65D 77/065; B65D
21/086; E05Y 2900/20; A45F 5/022; A45F
5/02; A61F 6/005
See application file for complete search history.

(56) **References Cited**

U.S. PATENT DOCUMENTS

217,190	A	*	7/1879	Osborne et al.	229/89
228,598	A	*	6/1880	Buckley	220/830
1,748,430	A	*	2/1930	Stringham	24/3.8
2,349,020	A	*	5/1944	Throckmorton	229/89
2,741,360	A	*	4/1956	Harrowe	206/69
D266,489	S	*	10/1982	Toback	D9/455
5,605,242	A	*	2/1997	Hwang	220/8
D390,703	S	*	2/1998	Haley	D3/323
D446,448	S	*	8/2001	Jernigan et al.	D9/418
D465,482	S	*	11/2002	Nuovo	D14/248
D534,069	S	*	12/2006	Ohno et al.	D3/298
D575,637	S	*	8/2008	Adams	D9/753
D620,353	S	*	7/2010	Block et al.	D9/433
D626,847	S	*	11/2010	Roesler	D9/529

* cited by examiner

Primary Examiner — Holly Baynham

Assistant Examiner — Rhea Shields

(74) *Attorney, Agent, or Firm* — Lerner, David, Littenberg,
Krumholz & Mentlik, LLP

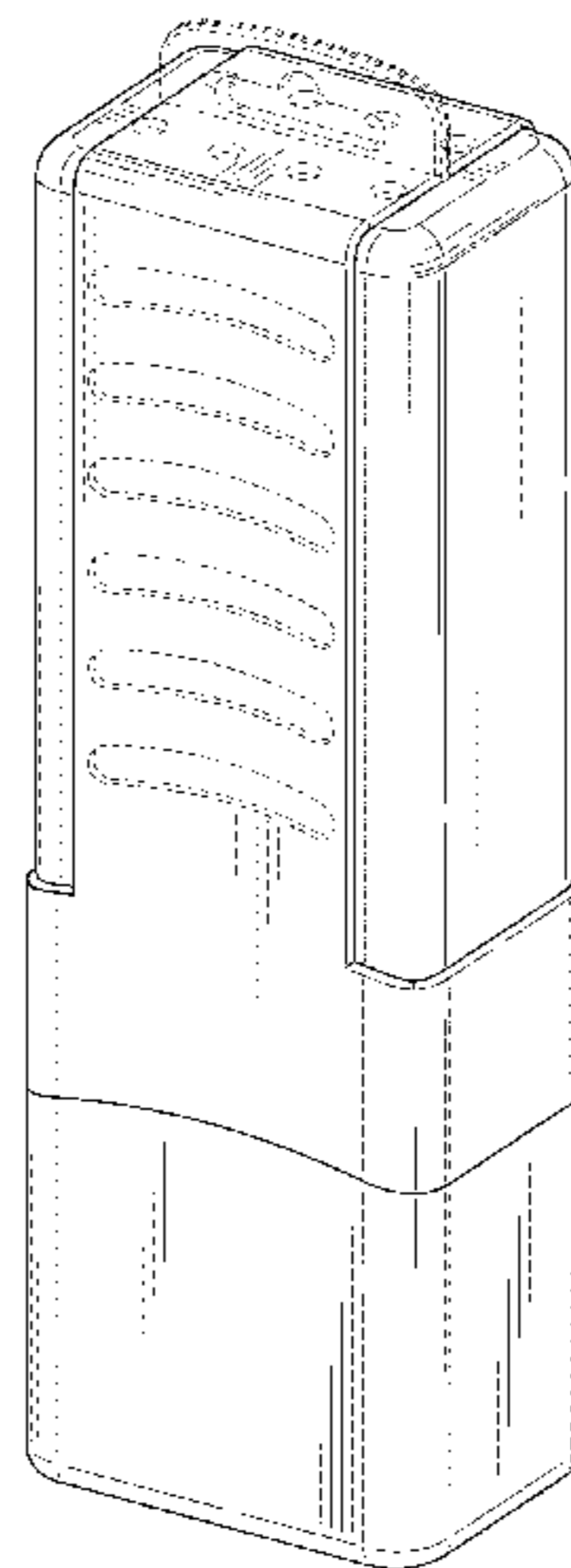
(57) **CLAIM**

The ornamental design for bottle container, as shown and described.

DESCRIPTION

FIG. 1 is a front perspective view of a first embodiment of the bottle container;
FIG. 2 is a front elevational view (the rear elevational view being a mirror image thereof);
FIG. 3 is right side view (the left side being a mirror image thereof);
FIG. 4 is a top plan view;
FIG. 5 is a bottom plan view;
FIG. 6 a front perspective view of a second embodiment of the bottle container;
FIG. 7 is a front elevational view of the second embodiment (the rear elevational view being a mirror image thereof); and,
FIG. 8 is a top plan view of the second embodiment.
The right side view of the second embodiment has the same appearance as FIG. 3 (the left side is a mirror image thereof), and the bottom plan view of the second embodiment has the same appearance as FIG. 5.
In the drawings, the broken lines are for the purpose of illustrating environment only and form no part of the claimed design.

1 Claim, 5 Drawing Sheets



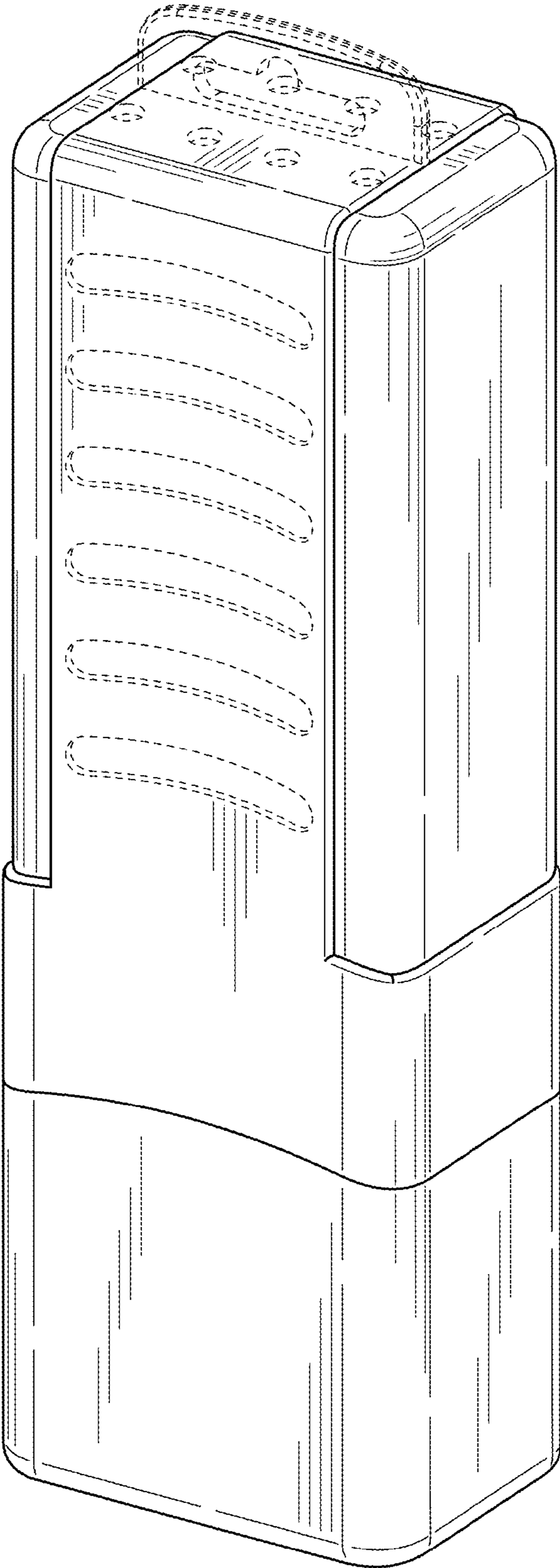


FIG. 1

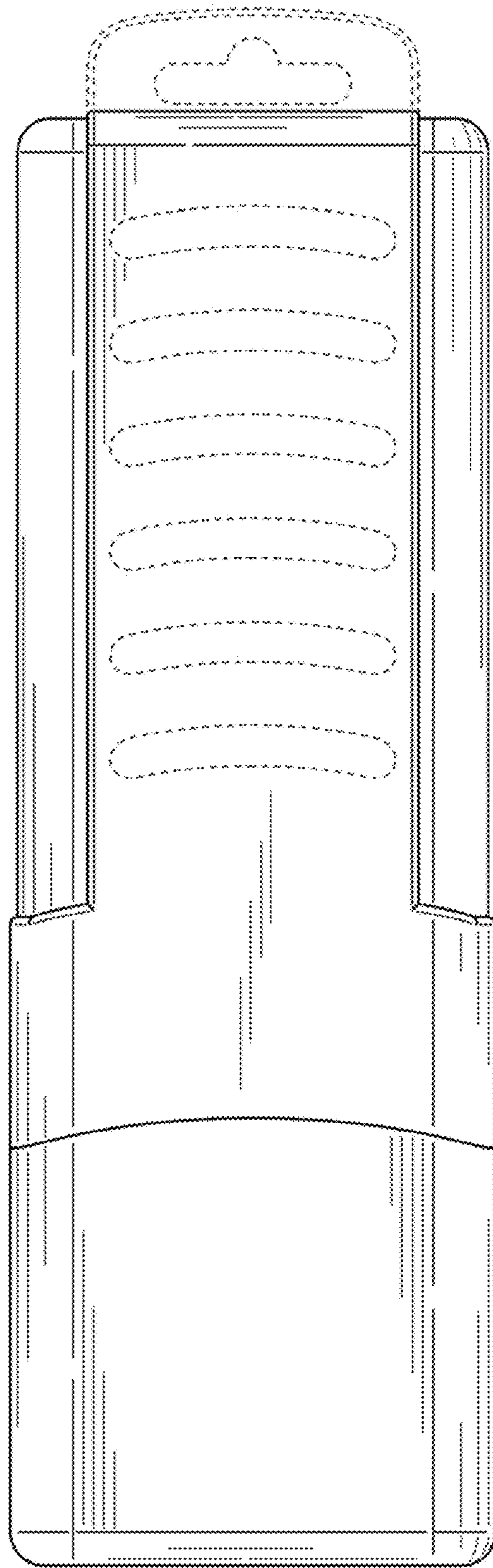


FIG. 2

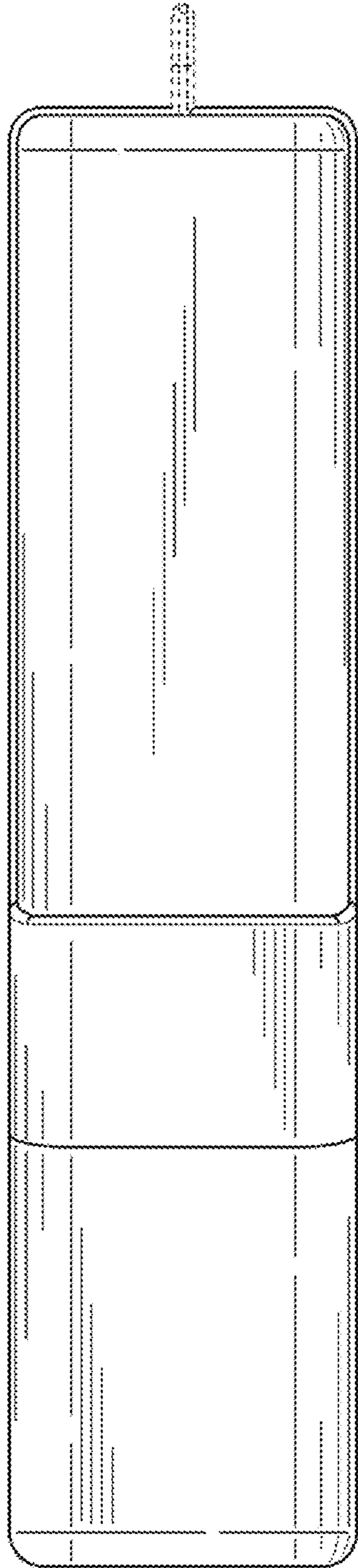


FIG. 3

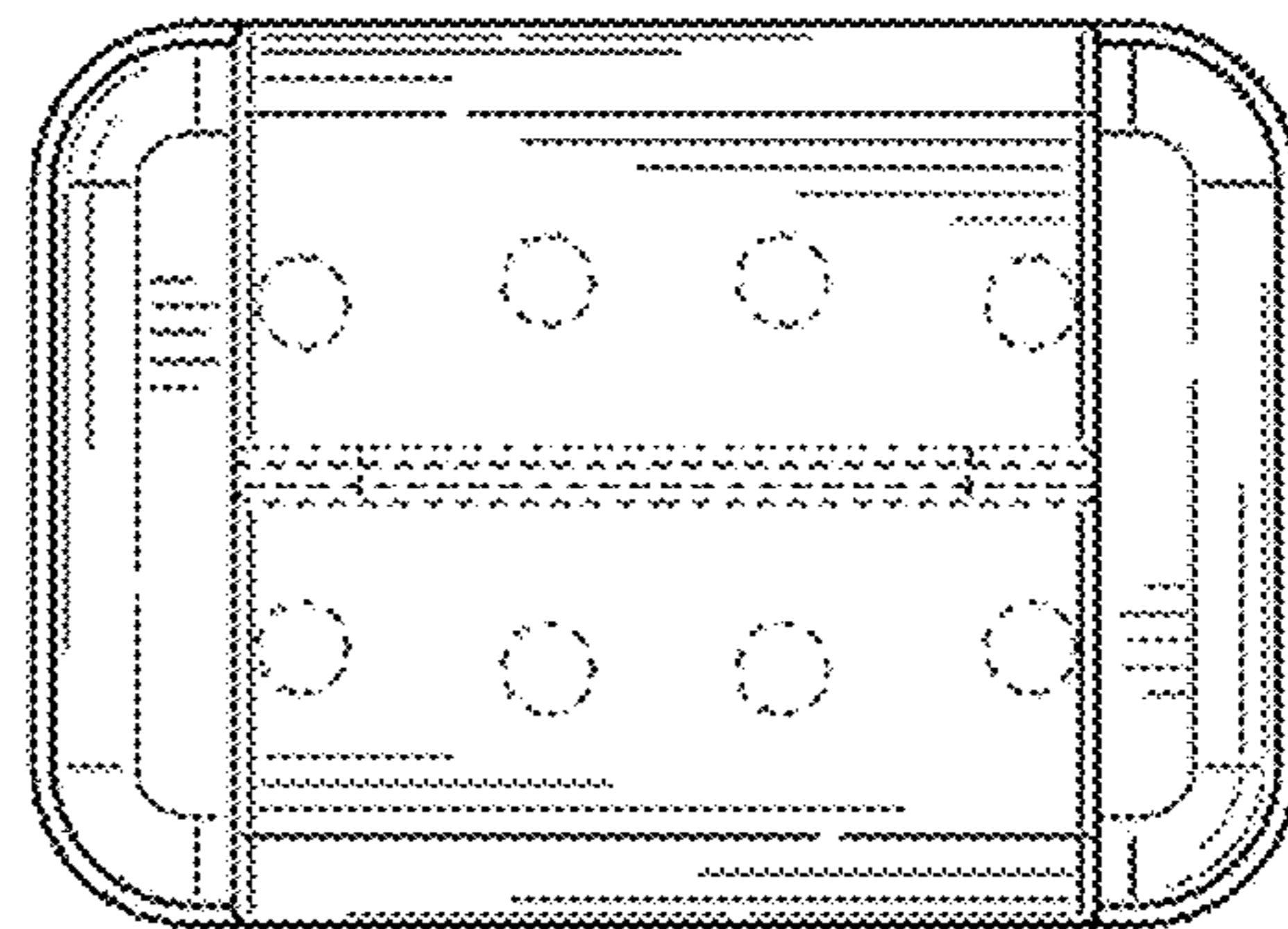


FIG. 4

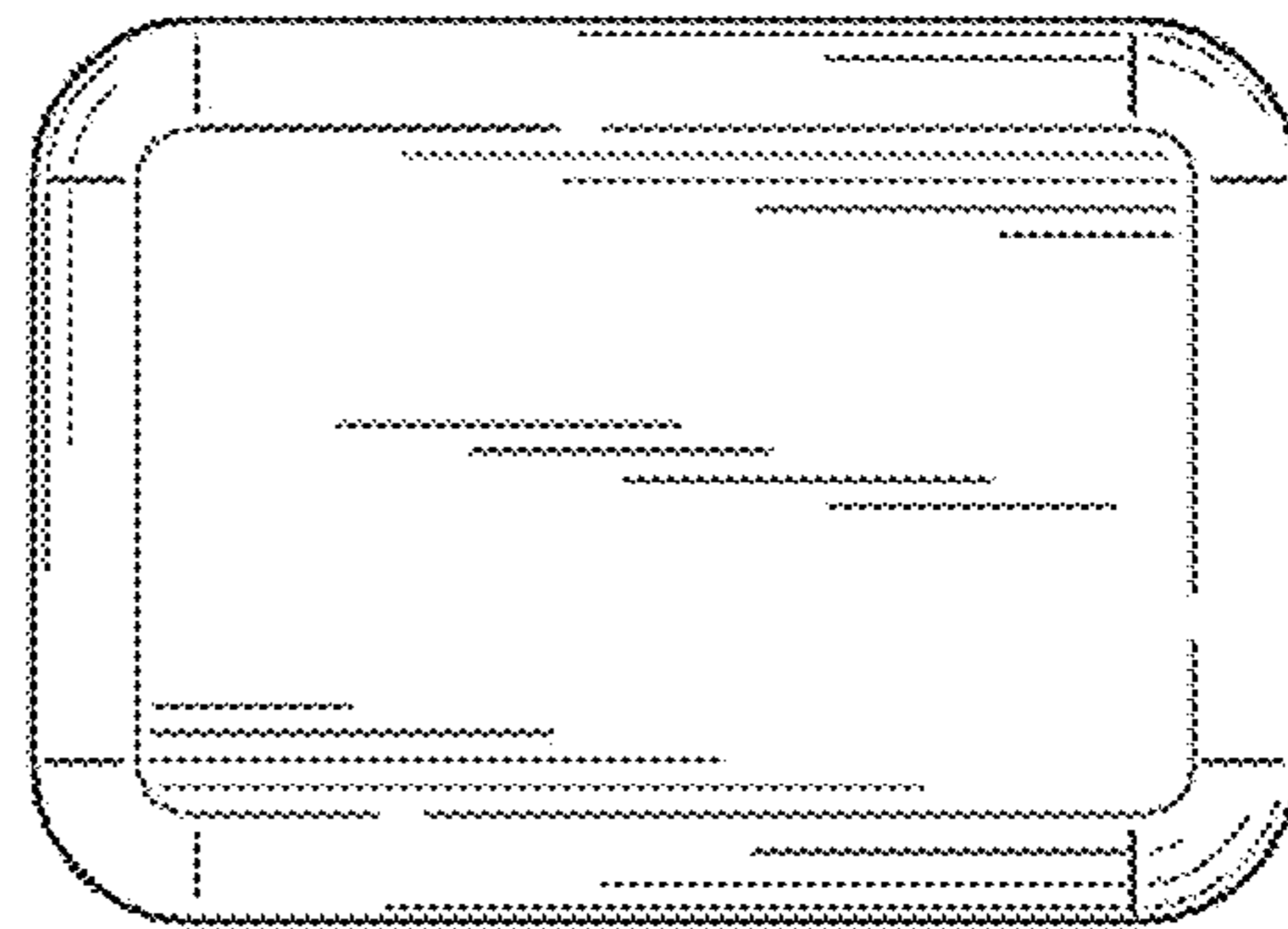


FIG. 5

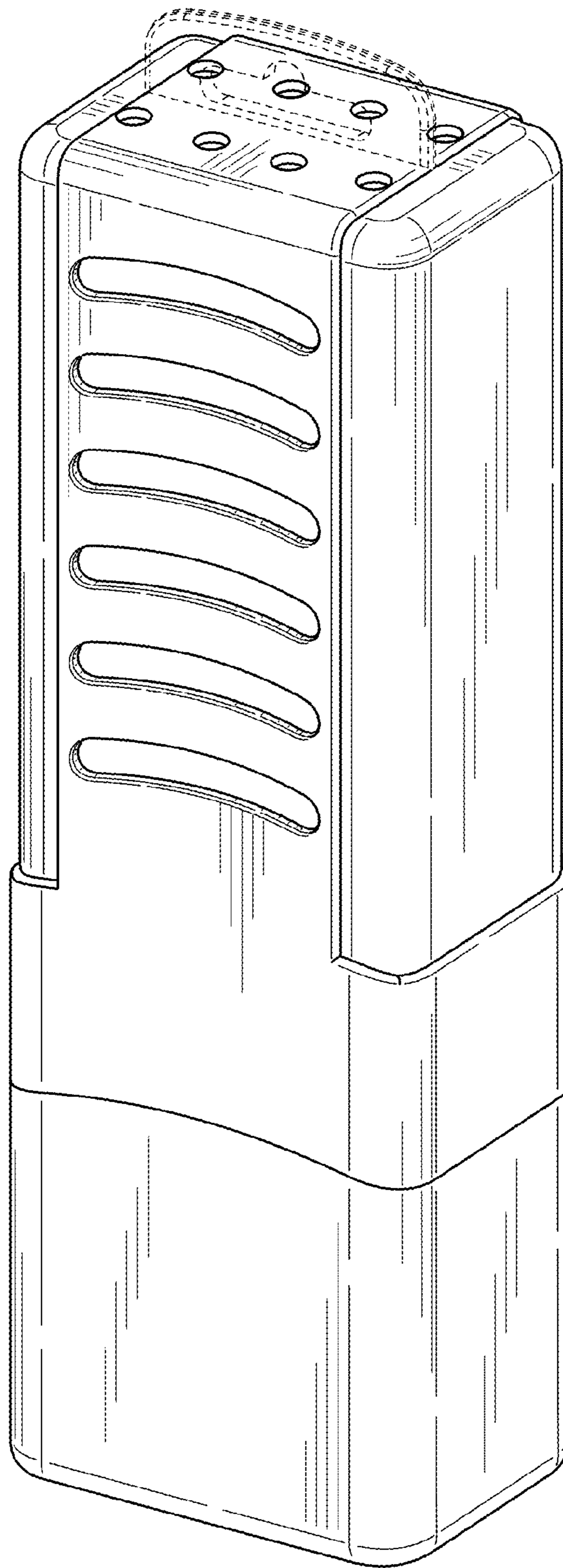


FIG. 6

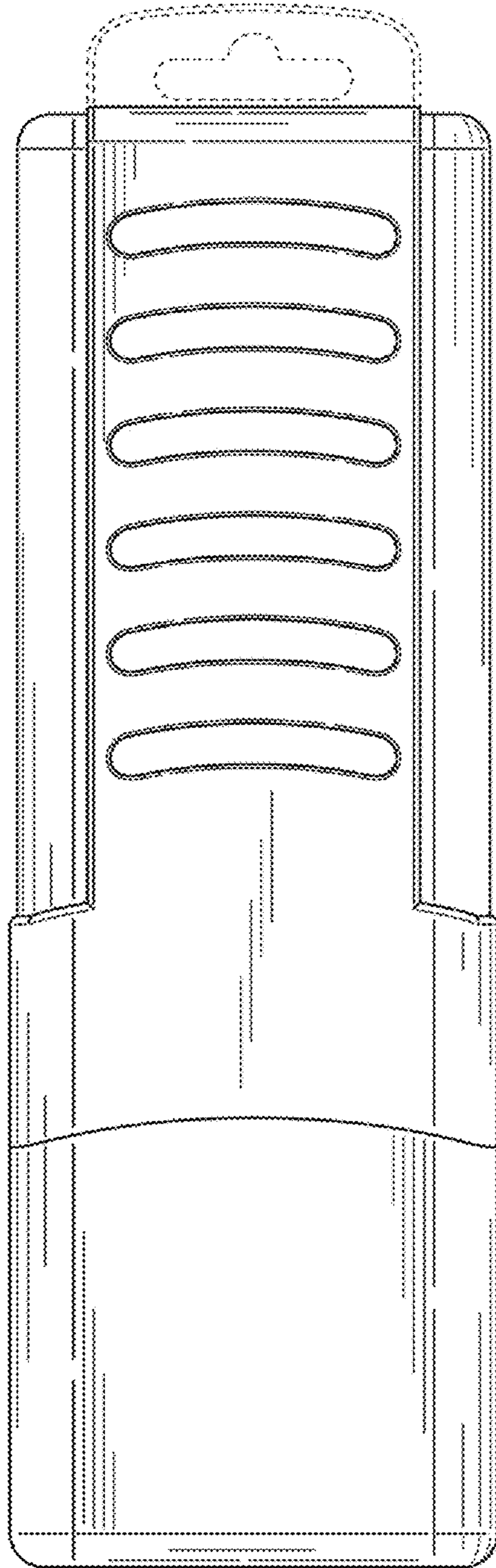


FIG. 7

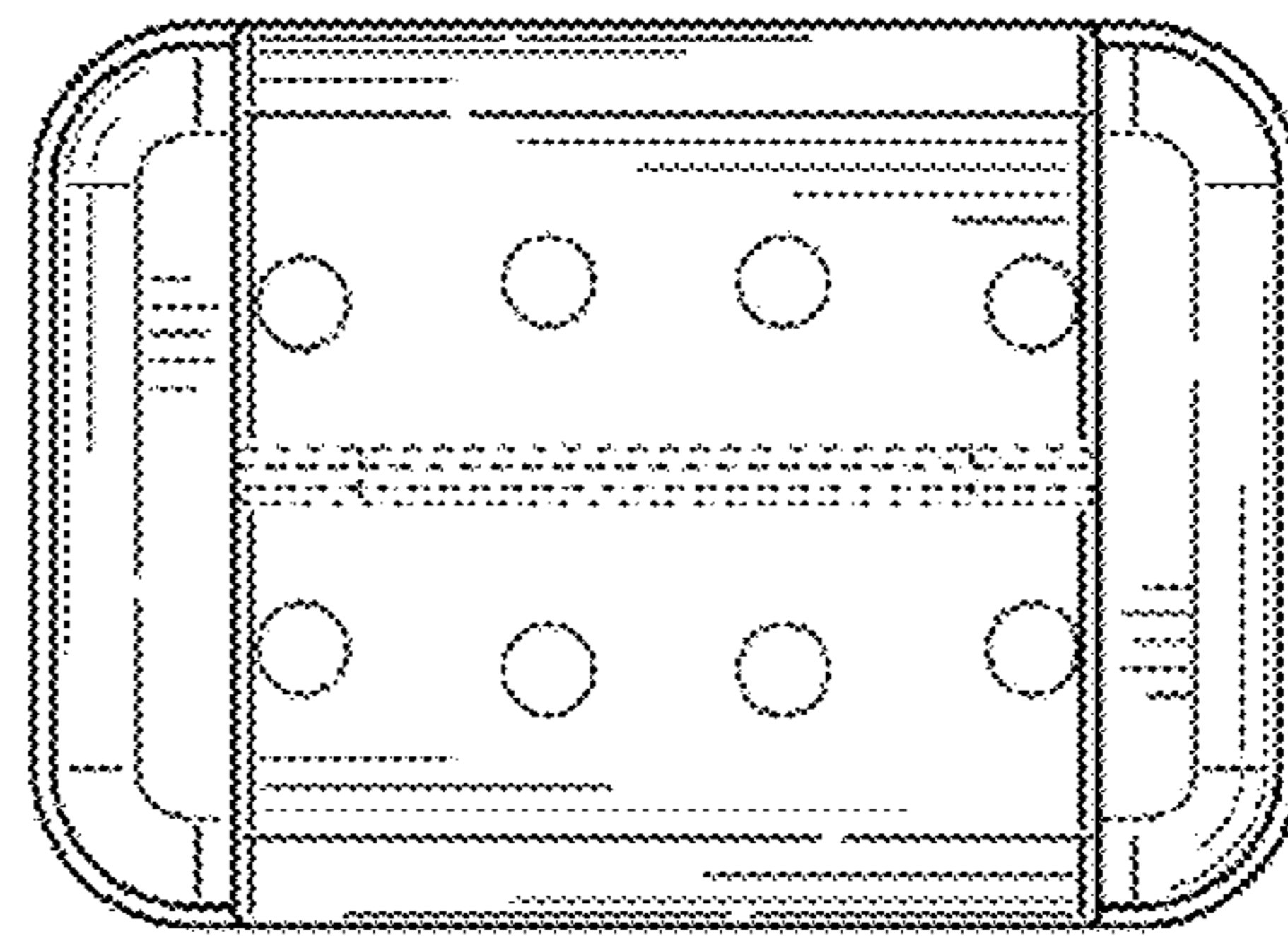


FIG. 8