



US00D747959S

(12) **United States Design Patent**
Graham et al.

(10) **Patent No.:** **US D747,959 S**
(45) **Date of Patent:** **** Jan. 26, 2016**

- (54) **BEVERAGE POD PACKAGE**
- (71) Applicant: **DW Product Development Inc.**, Ottawa (CA)
- (72) Inventors: **Romeo Graham**, Ottawa (CA); **Phil Streets**, Ottawa (CA); **Robert D. Watters**, Ottawa (CA); **Michael Georges Sirois**, Ottawa (CA)
- (73) Assignee: **DW Product Development Inc.**, Ottawa (CA)
- (**) Term: **14 Years**
- (21) Appl. No.: **29/494,417**
- (22) Filed: **Jun. 20, 2014**
- (30) **Foreign Application Priority Data**

- Dec. 24, 2013 (CA) 154435
- (51) **LOC (10) Cl.** **09-03**
- (52) **U.S. Cl.**
USPC **D9/414**
- (58) **Field of Classification Search**
USPC D9/414-418, 424, 431, 499, 756, 737,
D9/747, 761, 752, 435, 740, 758, 711,
D9/751; 426/91, 87; 206/521.8, 150;
220/23.4; D25/113; D3/273; D21/478;
D7/675, 629, 674, 600.2, 600.4;
D19/75, 77; D28/8.1
CPC A23G 9/503; A22C 17/10; B65D 85/324;
B65D 71/504; B65D 21/0204
See application file for complete search history.

(56) **References Cited**
U.S. PATENT DOCUMENTS

- 3,122,441 A * 2/1964 Smith 426/91
- 3,131,846 A * 5/1964 Whiteford 206/521.8

- 3,232,422 A * 2/1966 Whyte 206/150
- 3,385,465 A * 5/1968 Bliss 220/23.4
- D346,666 S * 5/1994 Newsom D25/113
- D354,227 S * 1/1995 Adami et al. D9/752
- 5,919,501 A * 7/1999 Rozzano 426/87
- D469,954 S * 2/2003 Muraoka D3/273
- D500,816 S * 1/2005 Thompson D21/478
- D504,286 S * 4/2005 de Cleir D7/675
- D505,083 S * 5/2005 Tabeshnekoo D9/752
- D506,145 S * 6/2005 Sabey D9/752
- D520,563 S * 5/2006 Killen et al. D19/75
- D522,857 S * 6/2006 Tabeshnekoo D9/435
- D602,378 S * 10/2009 Hermel D9/740
- D665,273 S * 8/2012 Castelletti D9/758
- D672,209 S * 12/2012 Lion et al. D7/629
- D680,266 S * 4/2013 Drought et al. D28/8.1
- D687,681 S * 8/2013 Barber D7/674
- D691,423 S * 10/2013 Chapman et al. D7/600.2

(Continued)

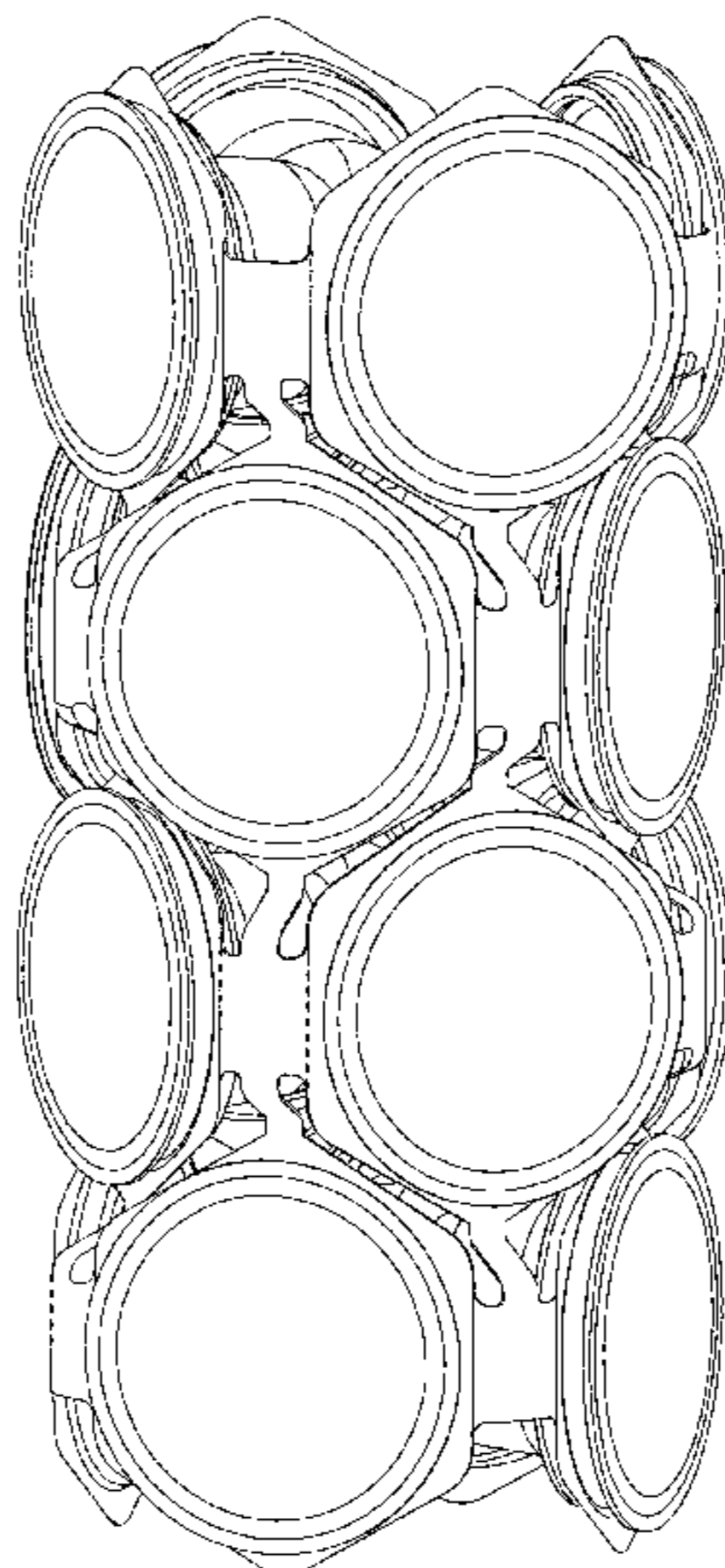
Primary Examiner — Holly Baynham
Assistant Examiner — Rhea Shields
(74) *Attorney, Agent, or Firm* — Miltons IP/p.i.

(57) **CLAIM**
The ornamental design for a beverage pod package, as shown and described.

DESCRIPTION

FIG. 1 is a perspective view of a beverage pod package, showing our new design;
FIG. 2 is a first side view of the design of FIG. 1.
FIG. 3 is a second side view of the design of FIG. 1.
FIG. 4 is a third side view of the design of FIG. 1.
FIG. 5 is a top view of the design of FIG. 1; and,
FIG. 6 is a bottom view of the design of FIG. 1.
In the drawings, the broken lines are for the purpose of illustrating environment only and form no part of the claimed design.

1 Claim, 6 Drawing Sheets



US D747,959 S

Page 2

(56)

References Cited

U.S. PATENT DOCUMENTS

D691,492 S	*	10/2013	Rathbone et al.	D9/711	
D695,136 S	*	12/2013	Macqueen	D9/751	* cited by examiner
D698,866 S	*	2/2014	Abdullah	D19/77	
D700,017 S	*	2/2014	Hertaus	D7/600.4	
D703,006 S	*	4/2014	Hsu	D7/600.4	

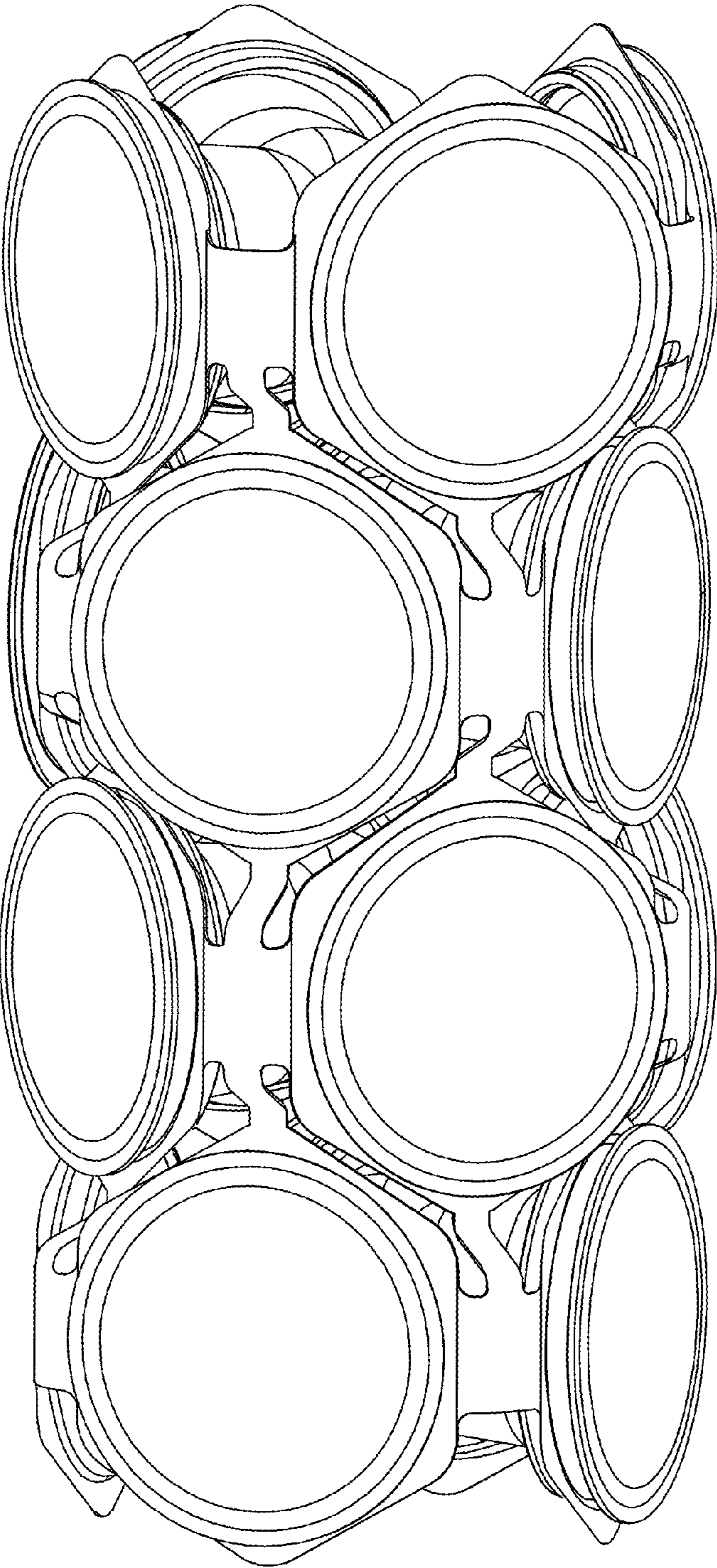


Figure 1

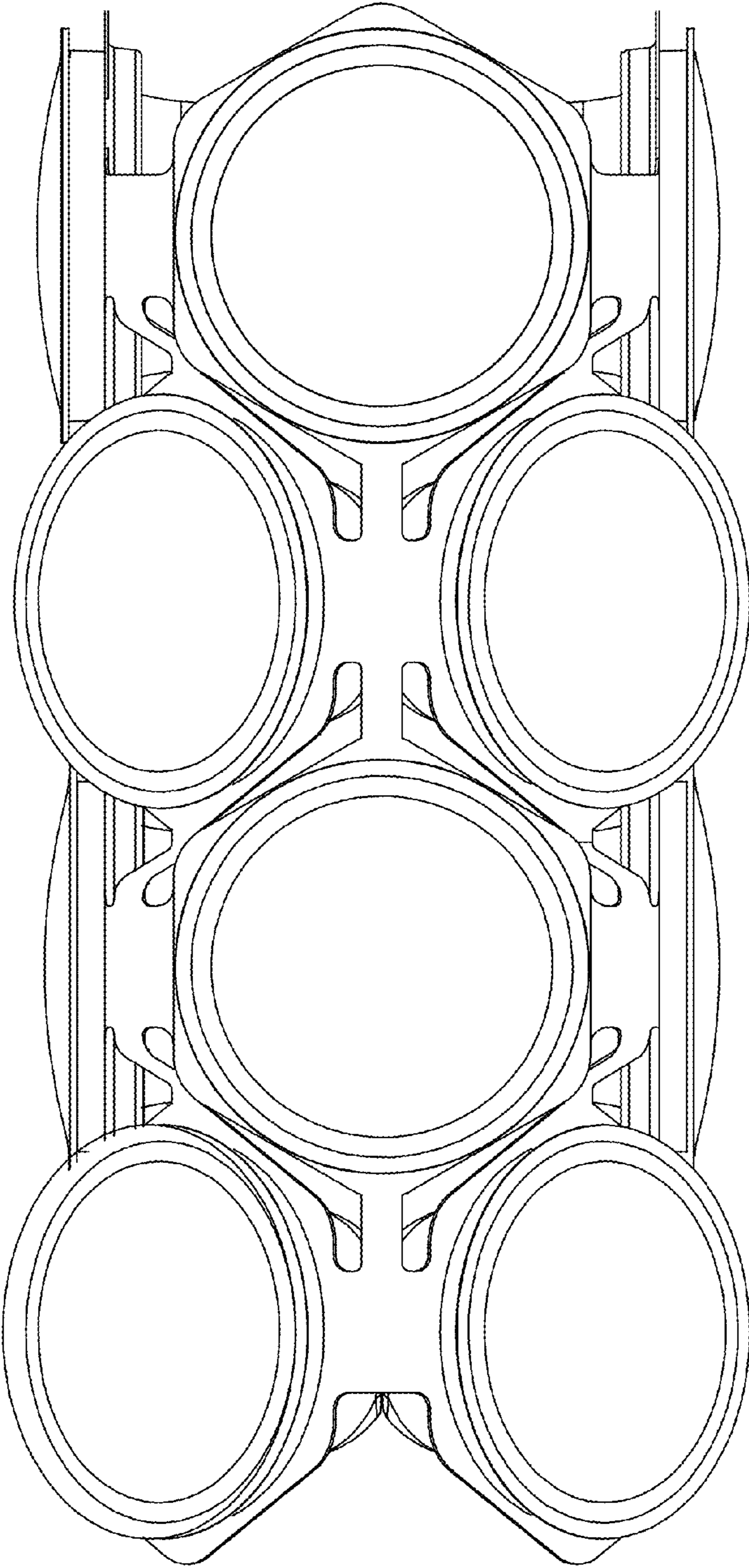


Figure 2

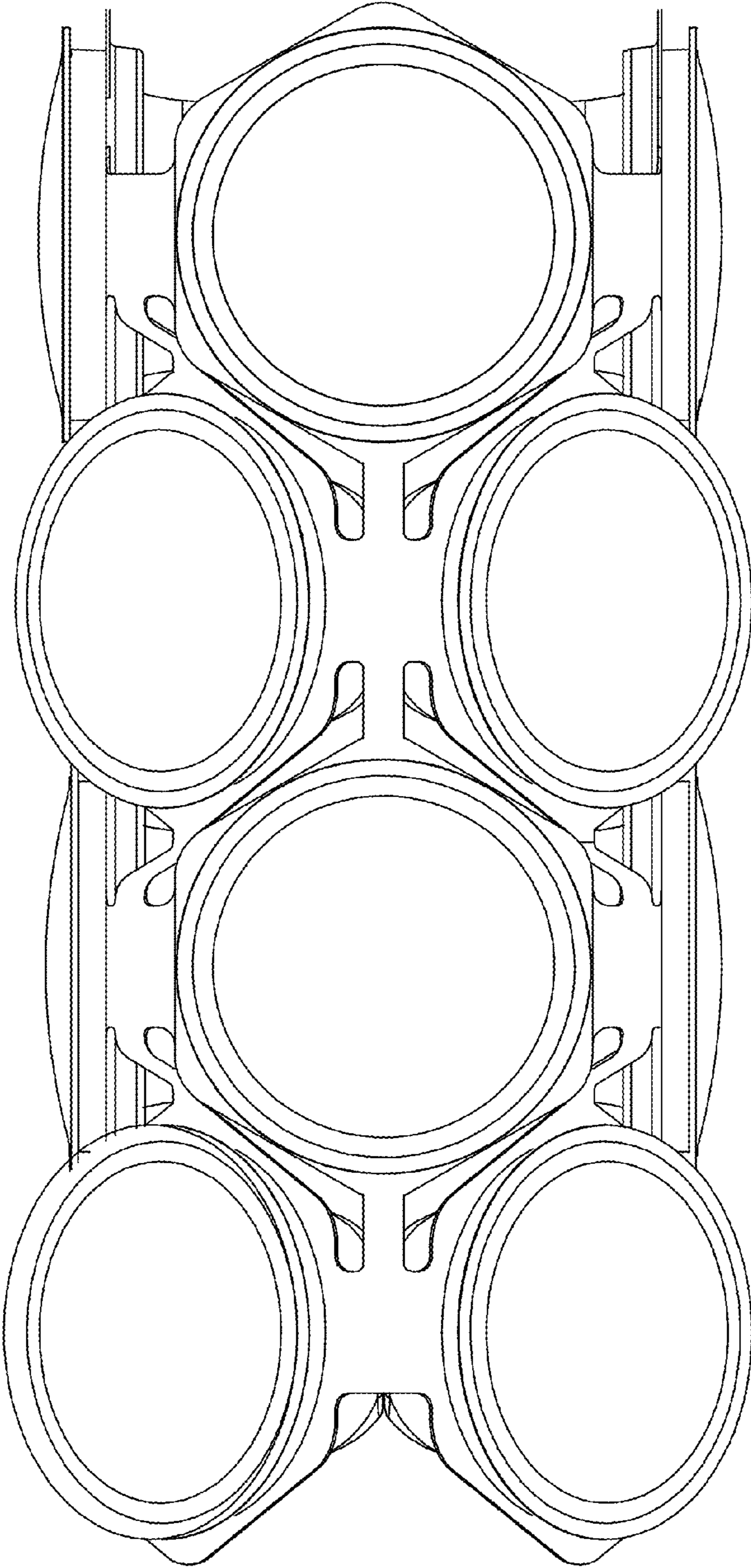


Figure 3

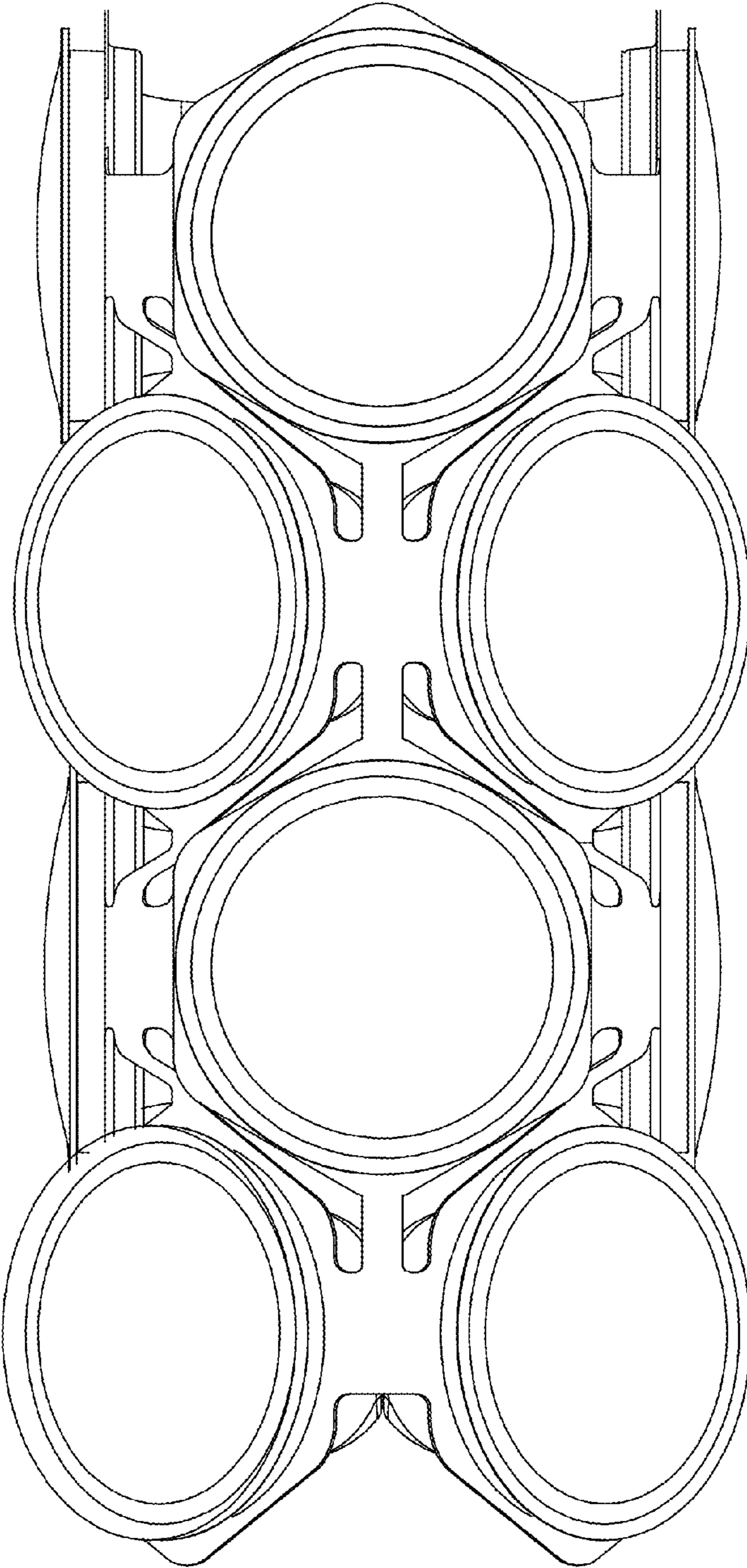


Figure 4

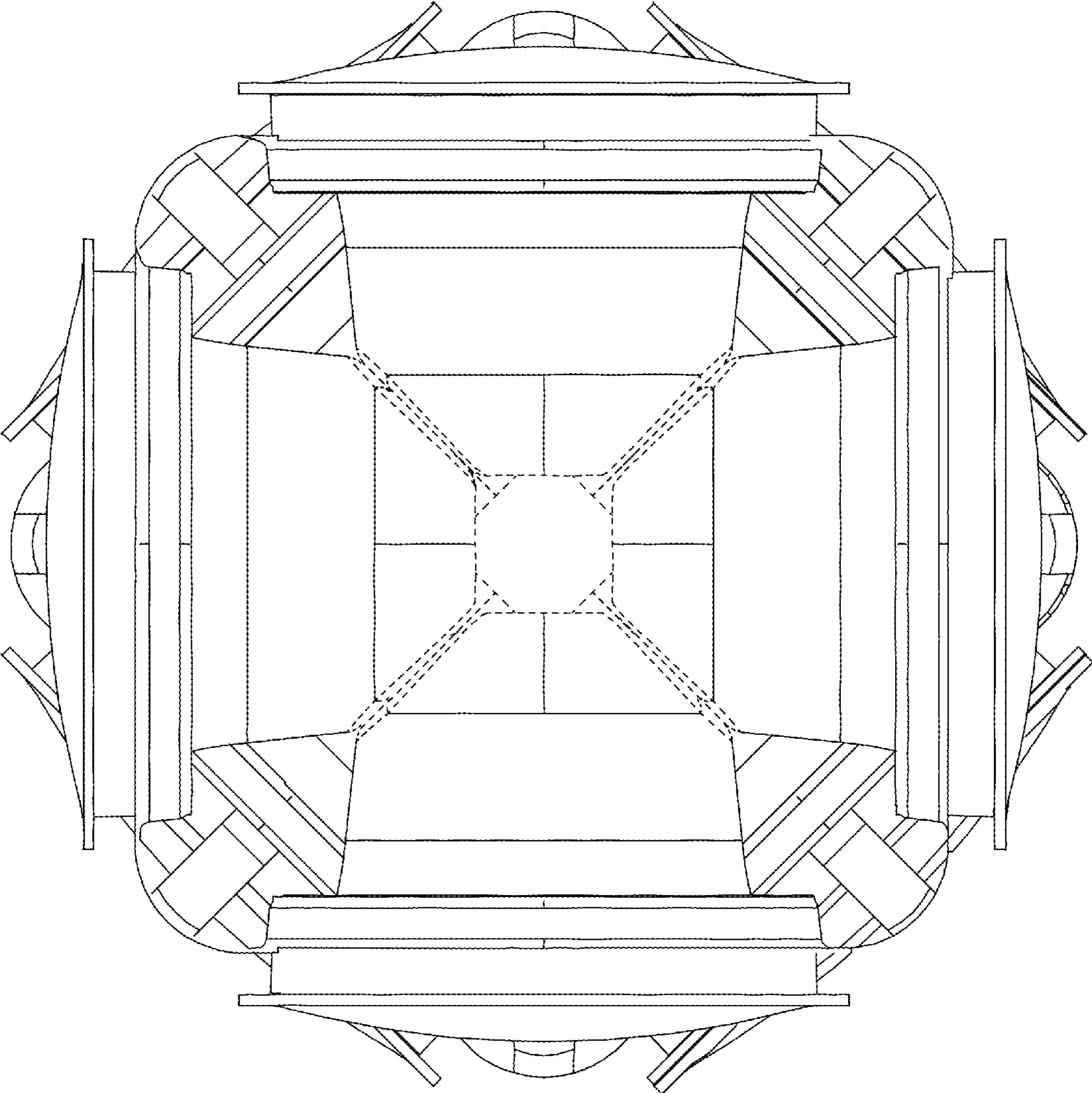


Figure 5

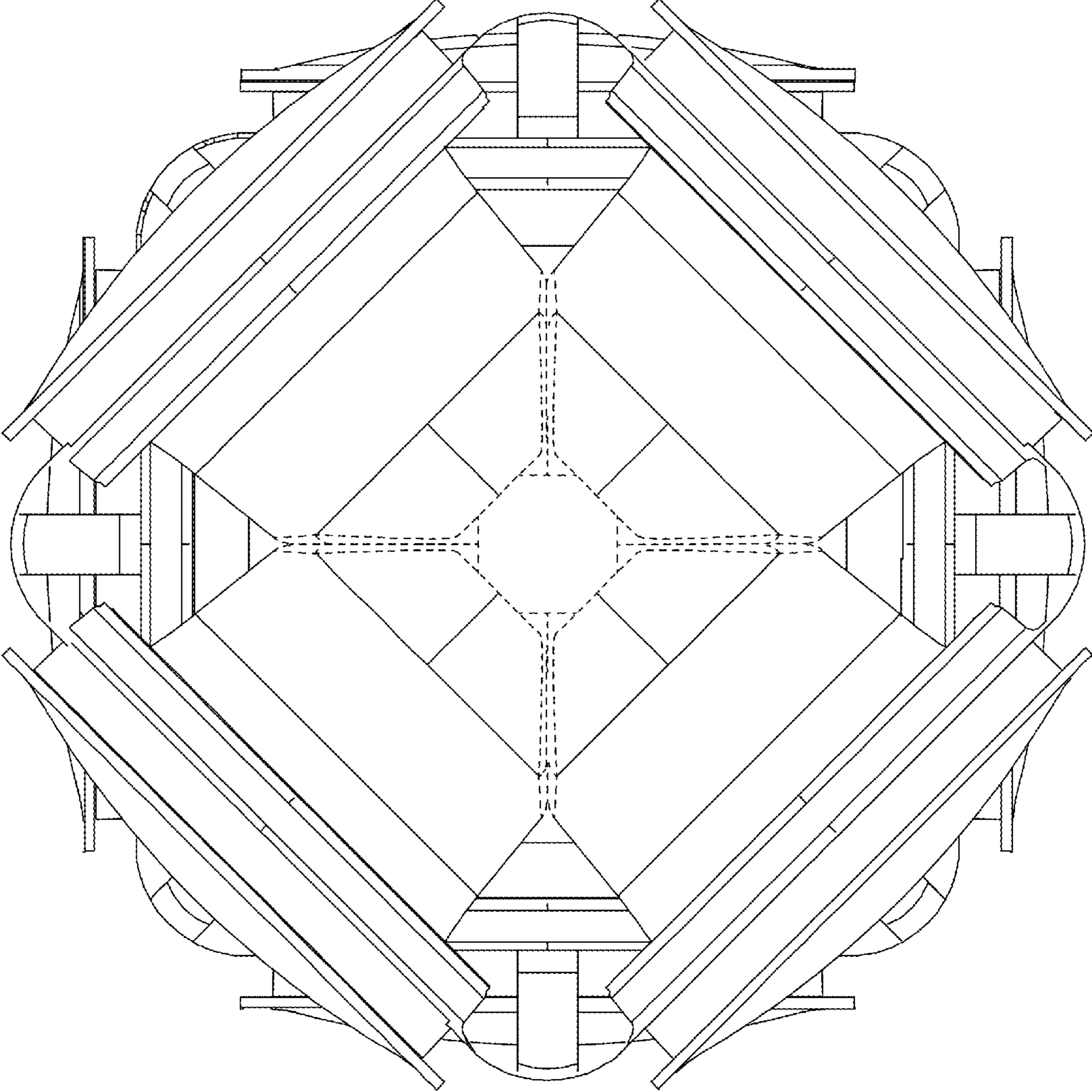


Figure 6