



US00D747954S

(12) **United States Design Patent**  
**Maeda**

(10) **Patent No.:** **US D747,954 S**  
(45) **Date of Patent:** **\*\* Jan. 26, 2016**

(54) **BRACKET**

(71) Applicant: **Philip Maeda**, Torrance, CA (US)  
(72) Inventor: **Philip Maeda**, Torrance, CA (US)  
(73) Assignee: **RYDEEN NORTH AMERICA, INC.**,  
Torrance, CA (US)

(\*\*) Term: **14 Years**

(21) Appl. No.: **29/463,805**

(22) Filed: **Mar. 11, 2014**

(51) **LOC (10) Cl.** ..... **08-05**

(52) **U.S. Cl.**  
USPC ..... **D8/354**

(58) **Field of Classification Search**  
USPC ..... D8/349, 354  
CPC ..... A47F 5/00; A47H 1/10; A47G 29/00;  
A47G 29/08; A47B 97/00; A47B 47/00  
See application file for complete search history.

(56) **References Cited**

U.S. PATENT DOCUMENTS

D333,421 S *	2/1993	Patti .....	D12/406
D595,116 S *	6/2009	Sipe .....	D8/354
D638,687 S *	5/2011	Minkley .....	D8/349
D663,608 S *	7/2012	Ruperto .....	D8/354

\* cited by examiner

*Primary Examiner* — Holly Baynham

(74) *Attorney, Agent, or Firm* — Irving Keschner

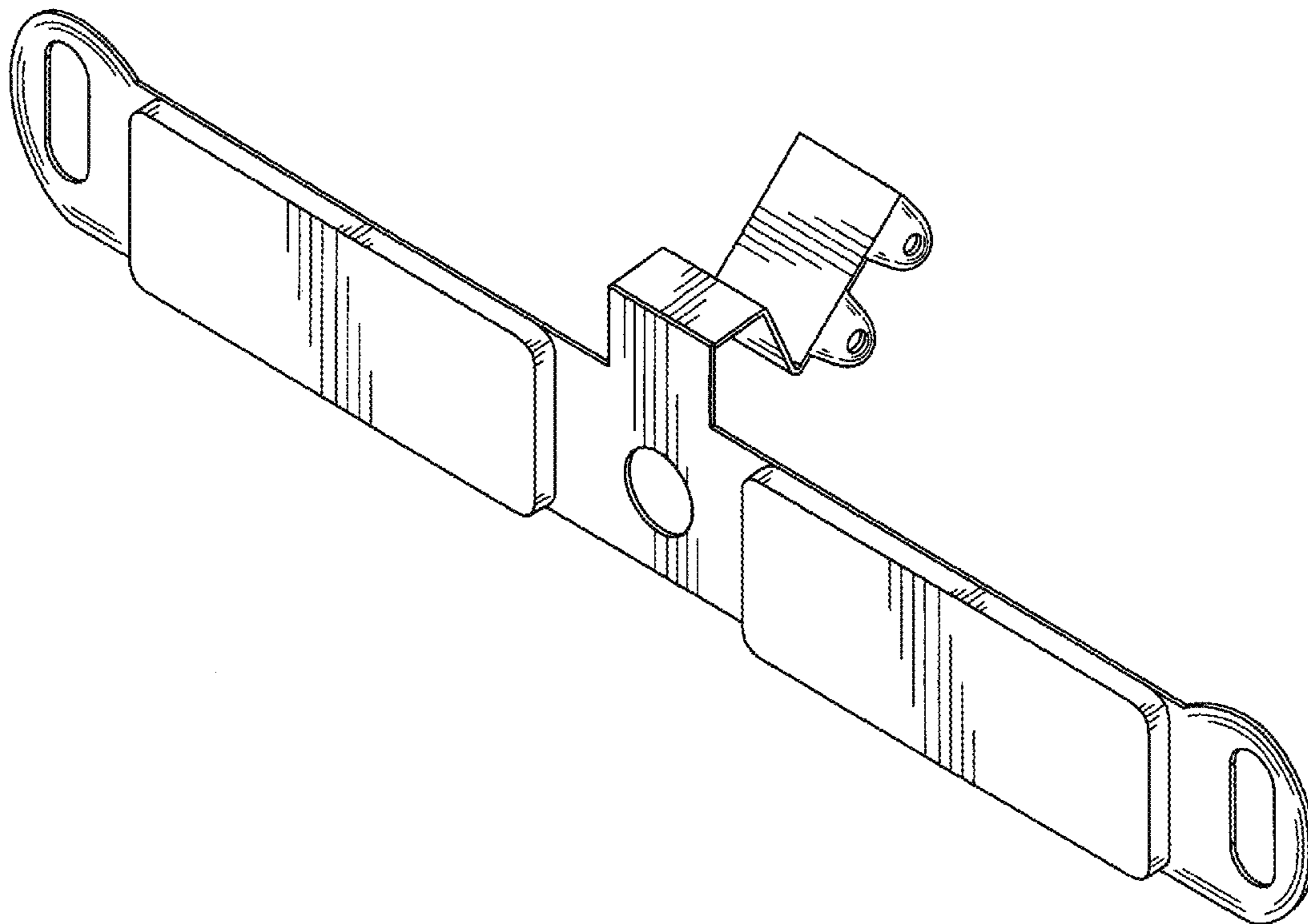
(57) **CLAIM**

The ornamental design for a bracket, as shown.

**DESCRIPTION**

FIG. 1 is a side perspective view of the bracket of the present invention;  
FIG. 2 is a front view of the design shown in FIG. 1;  
FIG. 3 is a rear view of the design shown in FIG. 1;  
FIG. 4 is a side view of the design shown in FIG. 1 (the other side is a mirror image);  
FIG. 5 is a top view of the design of the present invention; and,  
FIG. 6 is a bottom view of the design of the present invention.

**1 Claim, 4 Drawing Sheets**



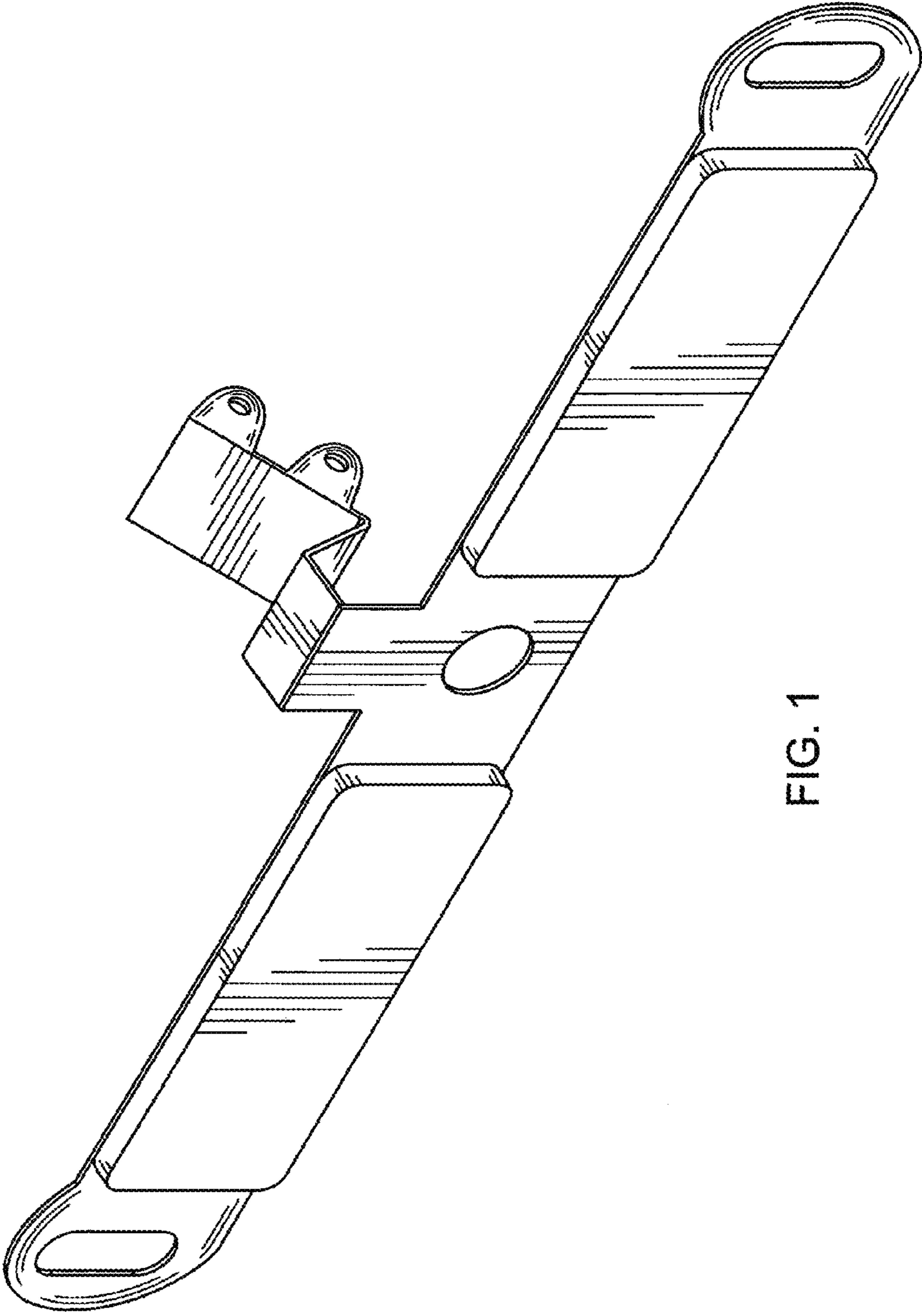


FIG. 1

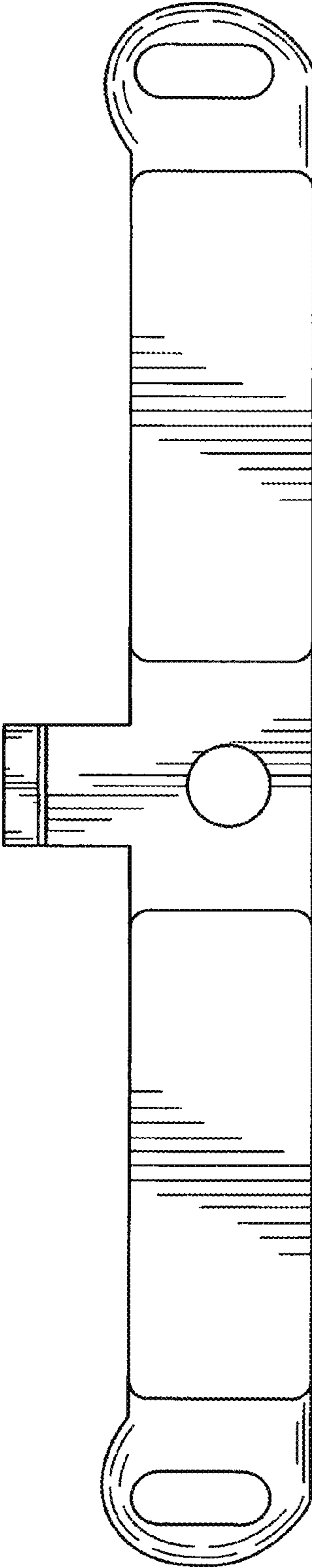


FIG. 2

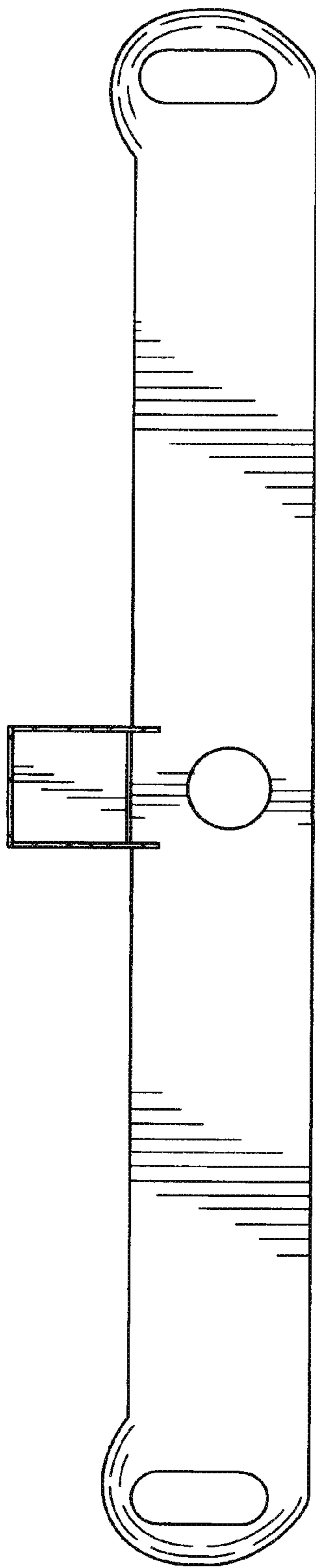


FIG. 3

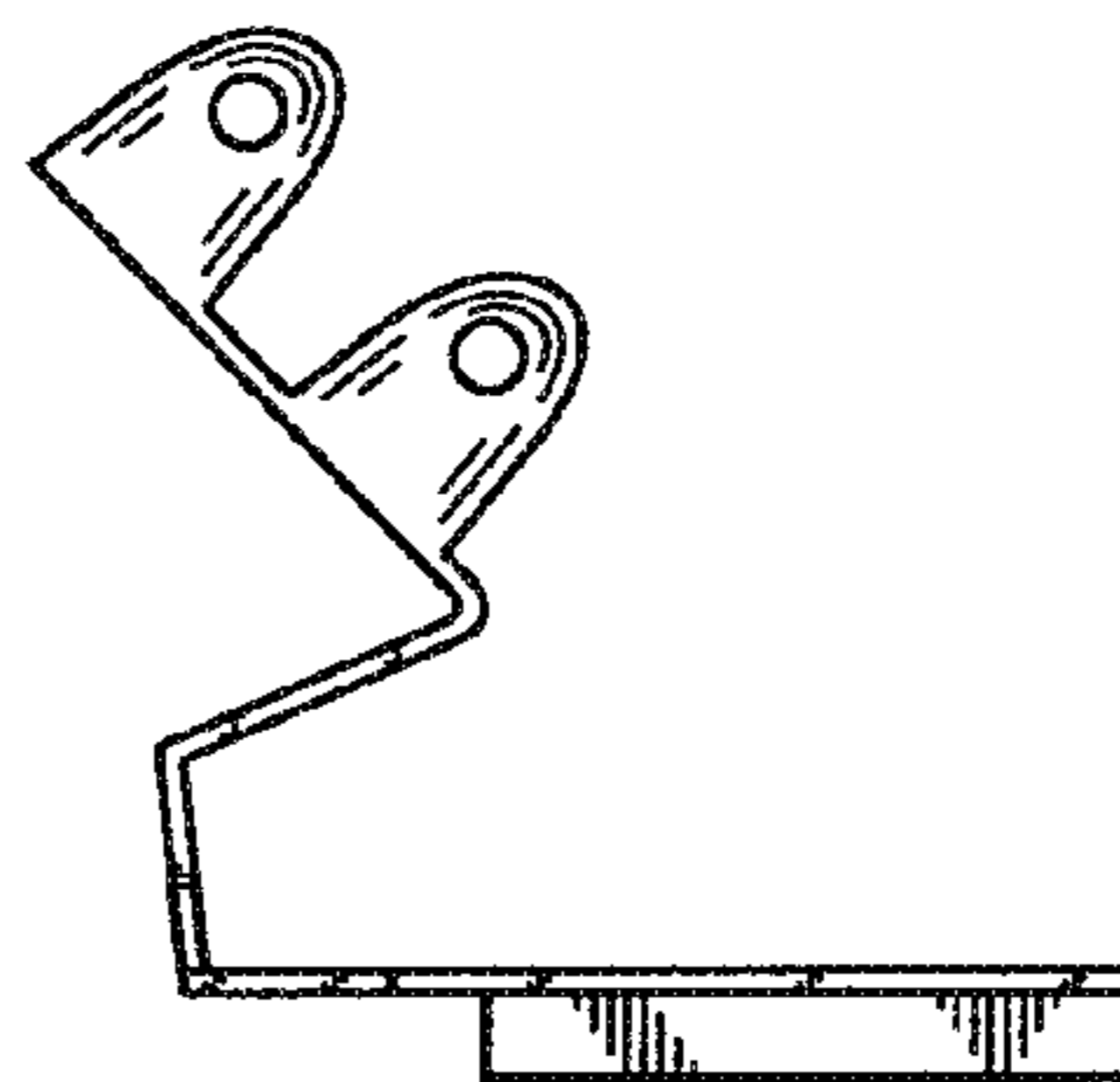


FIG. 4

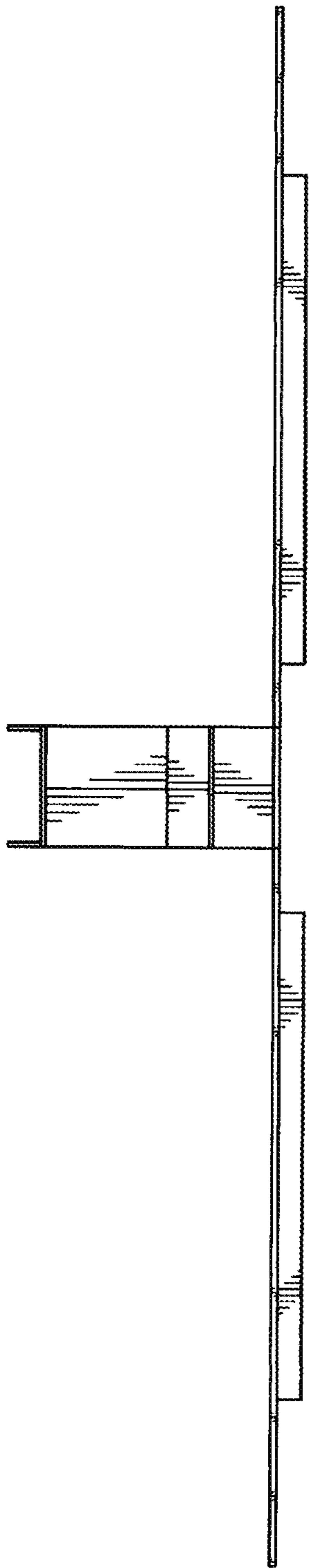


FIG. 5

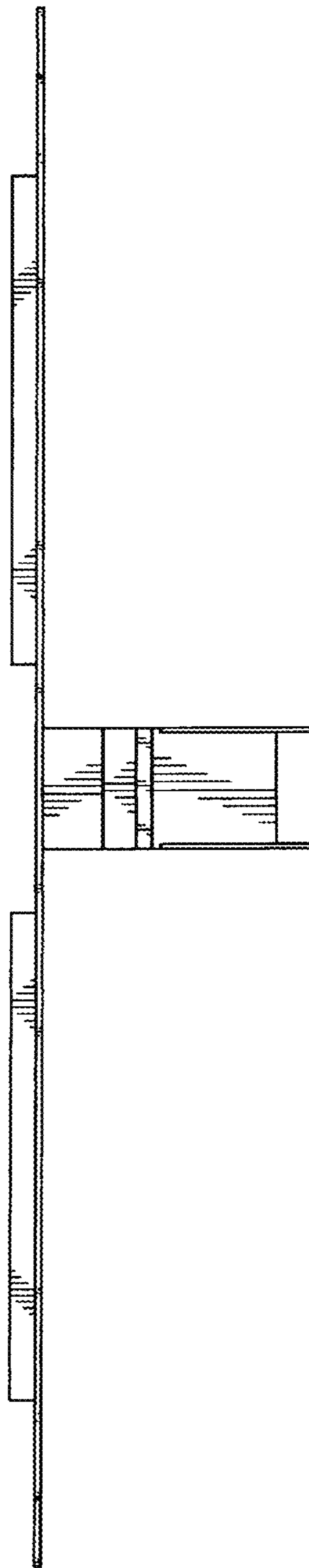


FIG. 6