



US00D747953S

(12) **United States Design Patent**
Thompson et al.

(10) **Patent No.:** **US D747,953 S**
(45) **Date of Patent:** **** Jan. 26, 2016**

- (54) **BRACKET**
- (71) Applicant: **3M INNOVATIVE PROPERTIES COMPANY**, St. Paul, MN (US)
- (72) Inventors: **Craig D. Thompson**, Inver Grove Heights, MN (US); **Angela L. Pan**, Woodbury, MN (US)
- (73) Assignee: **3M INNOVATIVE PROPERTIES COMPANY**, St. Paul, MN (US)
- (**) Term: **14 Years**
- (21) Appl. No.: **29/460,495**
- (22) Filed: **Jul. 11, 2013**
- (51) **LOC (10) Cl.** **08-08**
- (52) **U.S. Cl.**
USPC **D8/349**
- (58) **Field of Classification Search**
USPC D8/349, 354, 355, 363, 373-377,
D8/380-382, 499; D6/567
CPC A45F 13/08; A45F 3/44; A45G 1/08;
B41B 1/28; A44B 11/00; A44B 11/008;
A44B 11/24; A47H 1/142; A47H 1/124;
A47B 97/00
See application file for complete search history.

D660,132 S 5/2012 Yoder
 D660,134 S 5/2012 Yoder
 D667,289 S 9/2012 Preda
 D715,627 S 10/2014 Pan
 2014/0245572 A1* 9/2014 Thompson et al. 24/163 R

FOREIGN PATENT DOCUMENTS

AU 331849 7/2010
 AU 332376 8/2010

(Continued)

OTHER PUBLICATIONS

Fusen Plastic Buckle Velcro Strap, 5 pages, http://www.alibaba.com/product-gs/837407588/Plastic_buckle_velcro_strap.html,
 retrieved from the internet Aug. 22, 2013.

(Continued)

Primary Examiner — Thomas Johannes
Assistant Examiner — Shawn T Gingrich
 (74) *Attorney, Agent, or Firm* — Irina Hass

(57) **CLAIM**
 The ornamental design for a bracket, as shown and described.

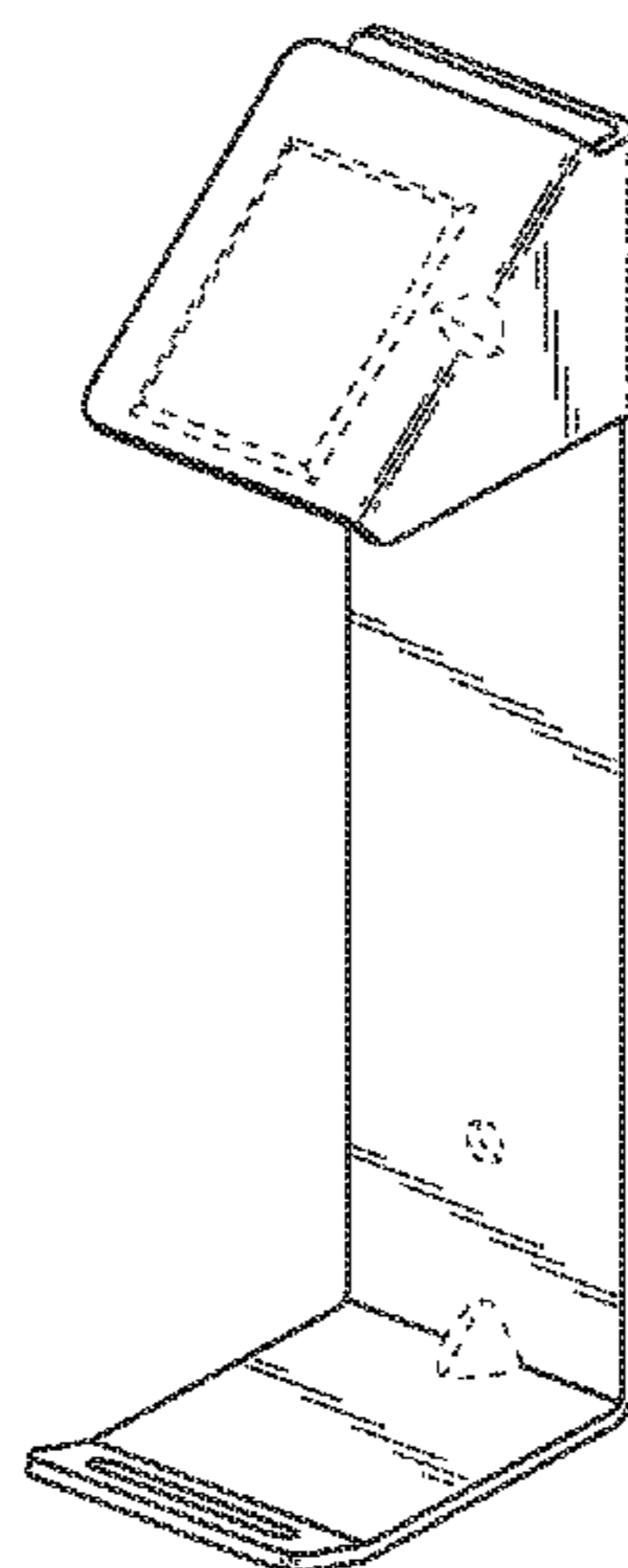
DESCRIPTION

FIG. 1 is a perspective view showing the new design for a bracket;
 FIG. 2 is a front view thereof;
 FIG. 3 is a rear view thereof;
 FIG. 4 is a left side view thereof;
 FIG. 5 is a right side view thereof;
 FIG. 6 is a top view thereof;
 FIG. 7 is a bottom view thereof; and,
 FIG. 8 is a perspective view thereof shown in an unclaimed usage environment.
 The portions of the bracket shown in broken lines form no part of the claimed design.

1 Claim, 2 Drawing Sheets

(56) **References Cited**
U.S. PATENT DOCUMENTS

2,894,710	A *	7/1959	Shields	248/265
D244,748	S	6/1977	Canterbury		
D247,550	S *	3/1978	Filice	D32/54
D248,910	S *	8/1978	DeFilippo	D6/556
D322,739	S *	12/1991	Kashuba	D3/315
D374,716	S *	10/1996	Anderson et al.	D23/415
D376,031	S *	11/1996	Burch	D26/138
D558,041	S	12/2007	Skinner		
D612,224	S	3/2010	Wendt		
D638,289	S	5/2011	Tedesco		



(56)

References Cited

FOREIGN PATENT DOCUMENTS

AU	336214	4/2011
AU	339339	11/2011
AU	343304	7/2012
AU	346861	2/2013
AU	347200	2/2013
AU	349729	7/2013
AU	354304	3/2014

AU	354432	3/2014
CL	1552-2010	8/2010
CL	1060-2005	9/2010

OTHER PUBLICATIONS

Horizontal Cable Organizing Accessories, 6 pages, <http://www.hammondmfg.com/rackacc4.htm>, retrieved from the internet Aug. 22, 2013.

* cited by examiner

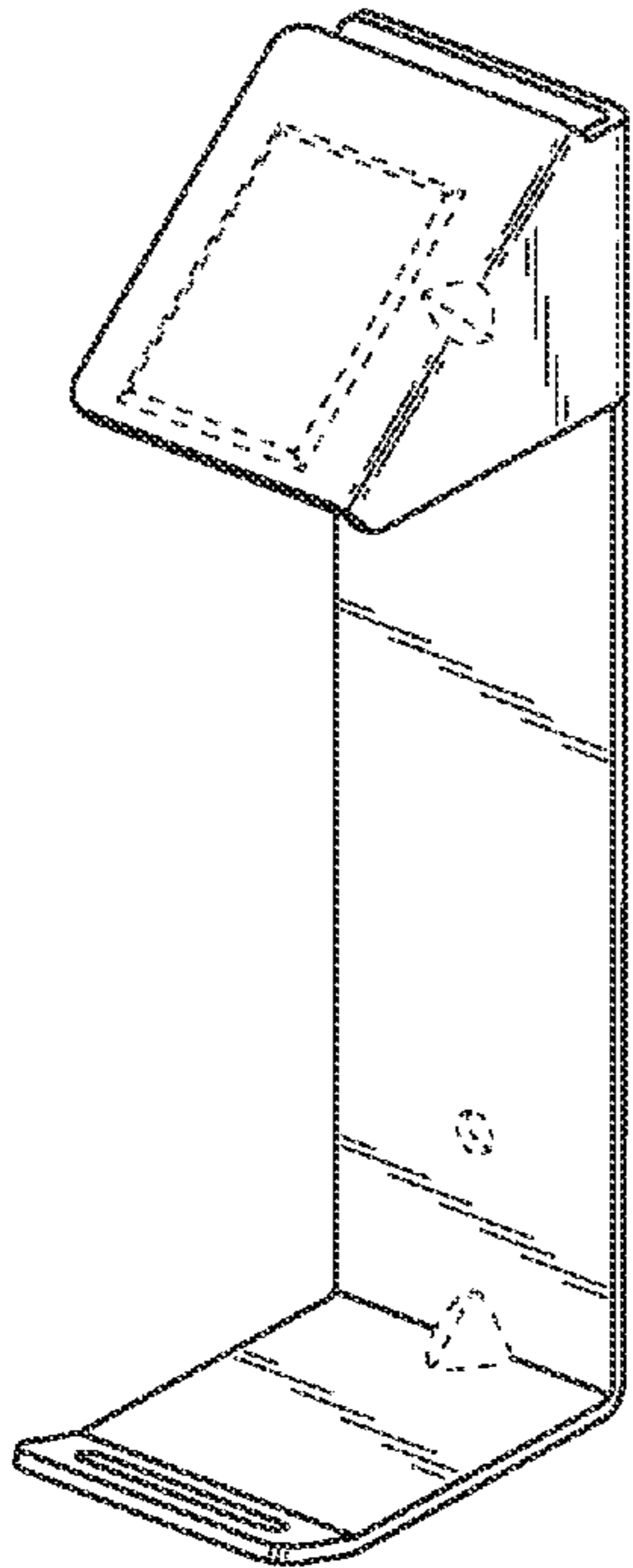


Fig. 1

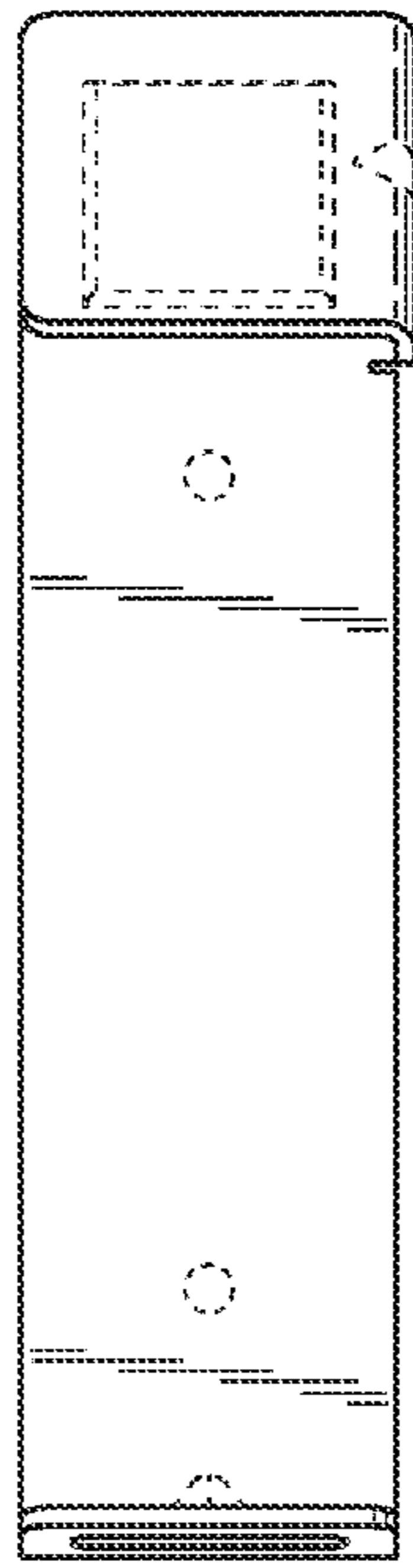


Fig. 2

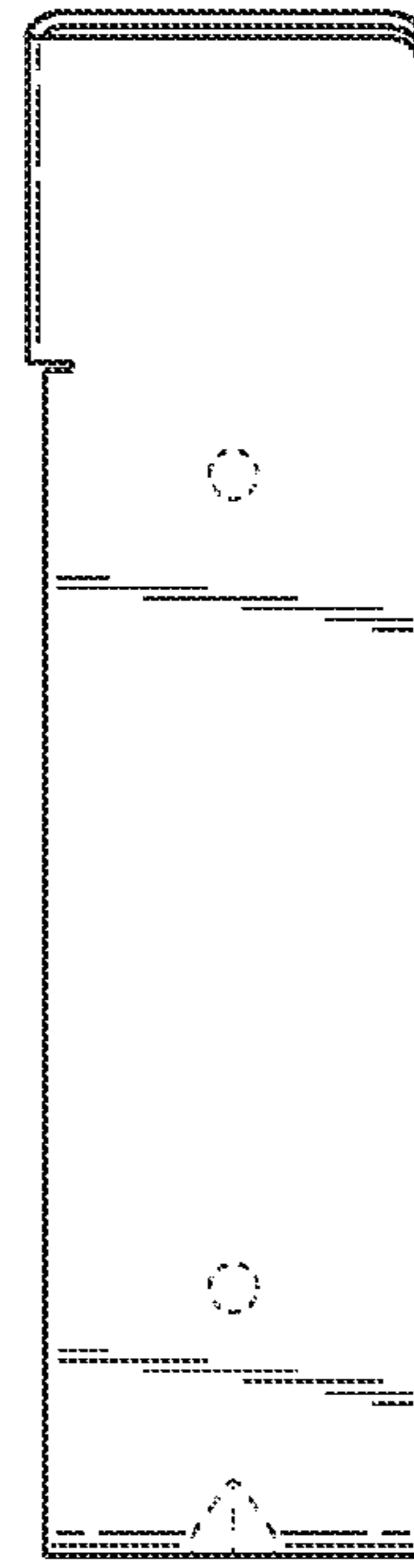


Fig. 3



Fig. 4

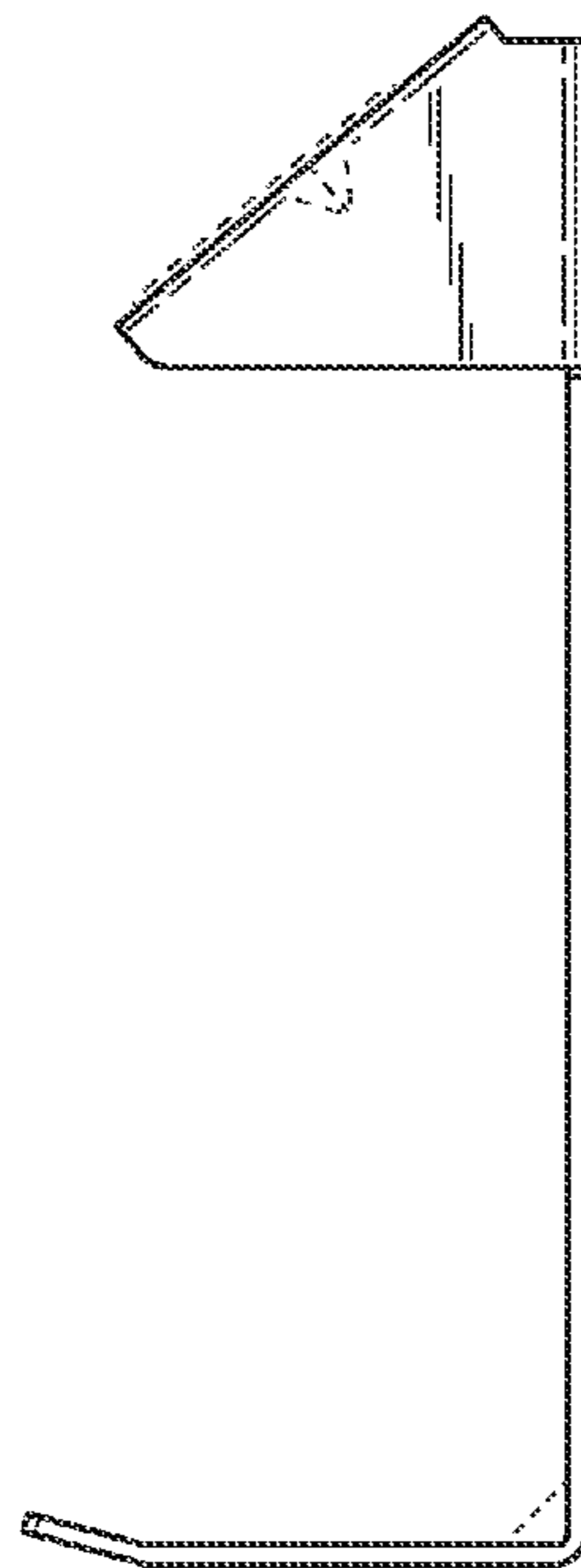


Fig. 5

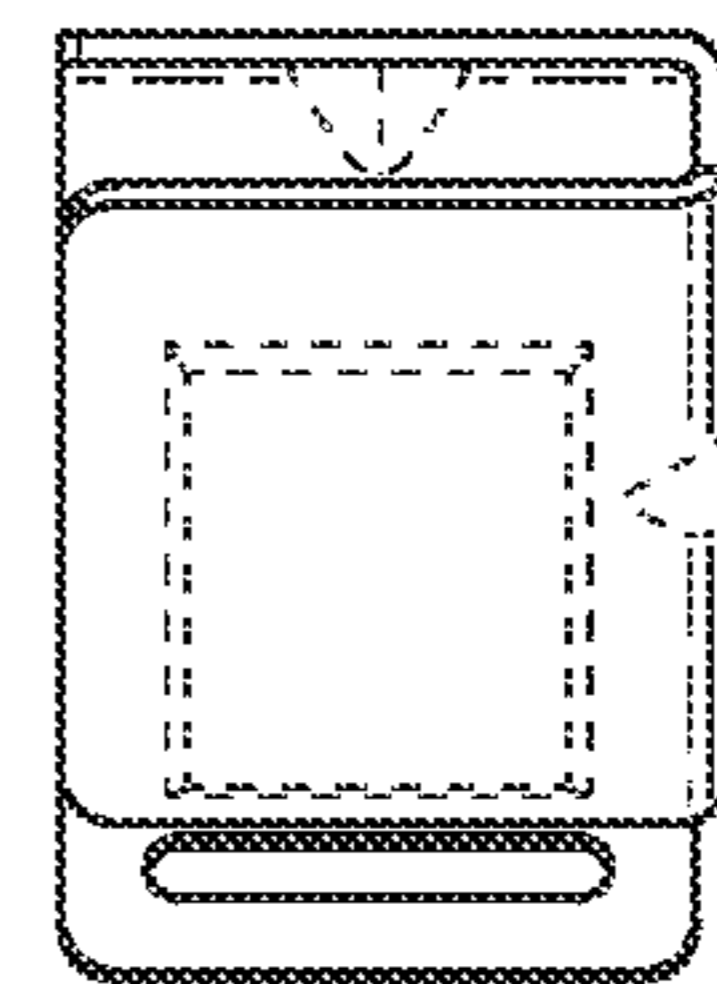


Fig. 6

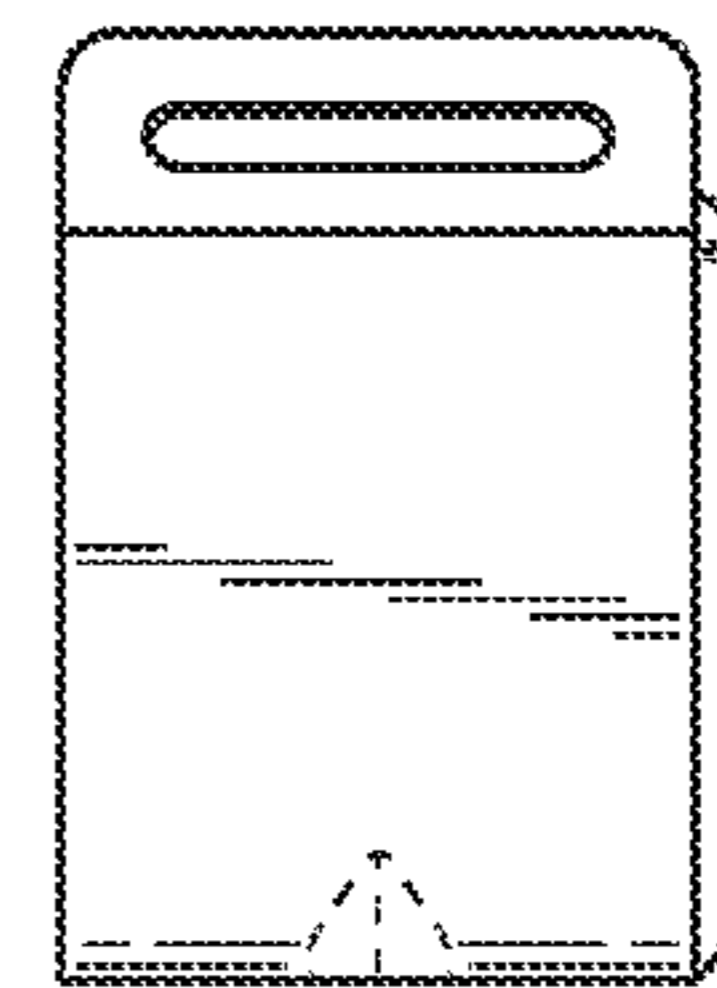


Fig. 7

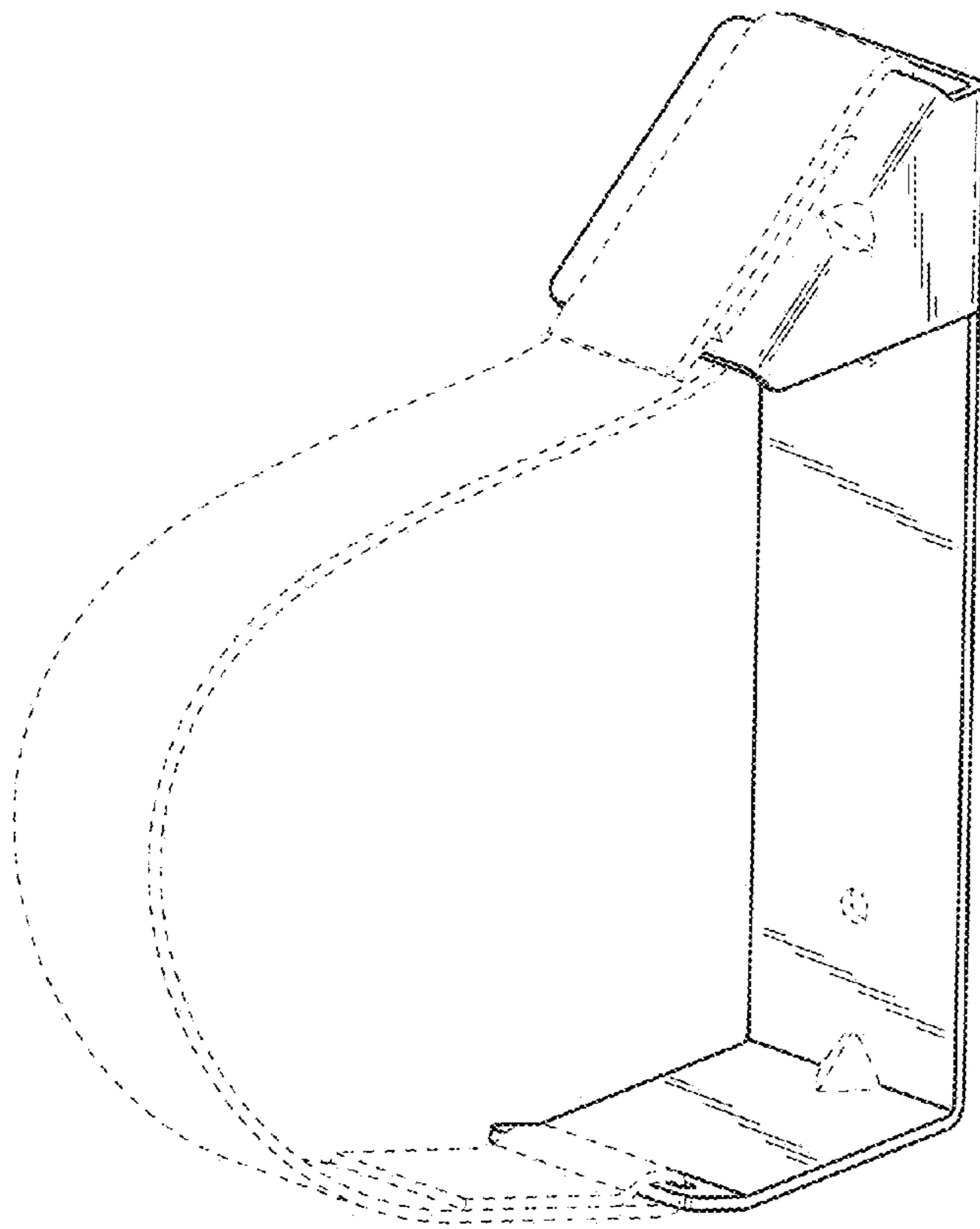


Fig. 8