



US00D747952S

(12) **United States Design Patent**  
**Attanasio**

(10) **Patent No.:** **US D747,952 S**  
(45) **Date of Patent:** **\*\* Jan. 26, 2016**

- (54) **QUICK CONNECT RECEPTACLE**
- (71) Applicant: **Gerald E. Attanasio**, Middlebury, CT (US)
- (72) Inventor: **Gerald E. Attanasio**, Middlebury, CT (US)
- (\*\*) Term: **14 Years**
- (21) Appl. No.: **29/455,912**
- (22) Filed: **May 25, 2013**
- (51) **LOC (10) Cl.** ..... **08-08**
- (52) **U.S. Cl.**  
USPC ..... **D8/349**
- (58) **Field of Classification Search**  
USPC ..... D8/330, 331, 339, 343, 344, 349, 354, D8/382, 394, 499  
CPC ..... F16B 5/00; F16B 5/02; F16B 5/10; F16B 2/00; F16B 21/02; F16B 21/04; F16B 21/06  
See application file for complete search history.

D649,028 S \* 11/2011 Nielsen ..... D8/382  
D701,450 S \* 3/2014 Ukai et al. .... D8/382  
2006/0171777 A1\* 8/2006 Walz ..... 403/314  
2012/0138757 A1\* 6/2012 Hong et al. .... 248/205.1

**OTHER PUBLICATIONS**

Camloc 40 Series Standard Receptacle, dated Nov. 21, 2004, [online], [site visited Jun. 4, 2015]. Available from Internet, <URL: <http://pegasusautoracing.com/bigpicture.asp?RecId=1759>>.\*  
Camloc Quick-Operating Fasteners pp. E1, E6, F8, F9, G8, G9, dated Jan. 2009, [online], [site visited Jun. 4, 2015]. Available from Internet, <URL: <http://www.afsrcamloc.net/xua/downloads/Catalogue-Quick-Operating-Fasteners-Jan09.pdf>>.\*  
Demon tweeke, Speciality Fasteners, 2014 [online] retrieved Jul. 1, 2014, from <http://www.demon-tweeks.co.uk>.

\* cited by examiner

*Primary Examiner* — Thomas Johannes  
*Assistant Examiner* — Shawn T Gingrich  
(74) *Attorney, Agent, or Firm* — Raymond A. Nuzzo

(57) **CLAIM**

The ornamental design for a quick connect receptacle, as shown and described.

(56) **References Cited**

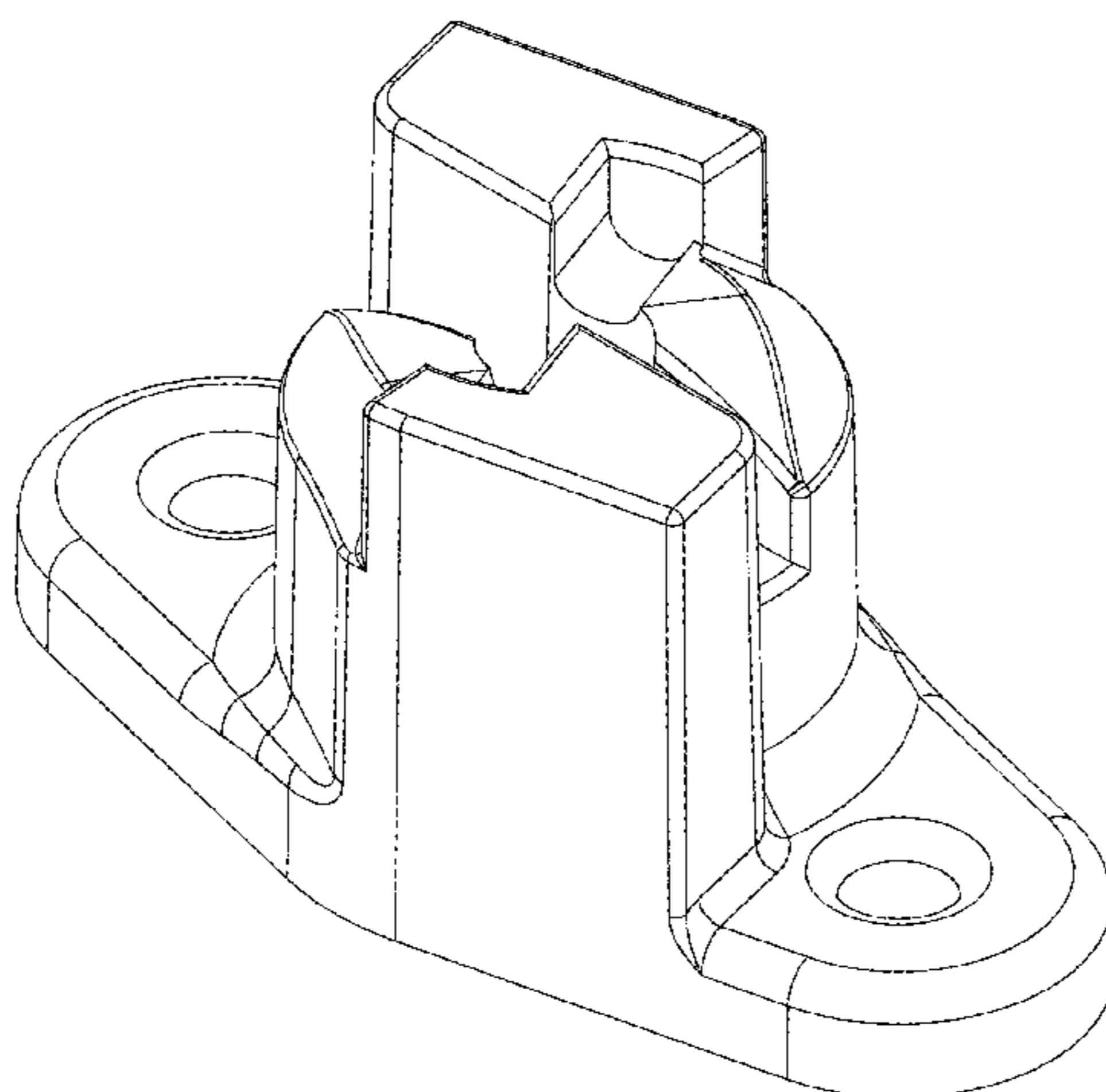
**U.S. PATENT DOCUMENTS**

2,282,360	A	5/1942	Horrocks	
2,306,952	A	12/1942	Jones	
2,308,695	A	1/1943	Johnson	
2,368,713	A	2/1945	Kane	
2,406,007	A *	8/1946	Eisele	411/549
2,499,574	A *	3/1950	Dzus	411/555
2,547,155	A *	4/1951	Dzus	411/555
2,585,241	A *	2/1952	Gunther	411/555
2,714,754	A	8/1955	Karl	
3,407,454	A *	10/1968	Myatt	411/549
3,811,157	A	5/1974	Schenk	
D255,772	S *	7/1980	Johnson et al.	D8/331
5,688,093	A *	11/1997	Bowers	411/552
5,690,460	A	11/1997	Attanasio	
D478,496	S *	8/2003	Gratiot	D8/349
7,874,779	B2	1/2011	Csik	

**DESCRIPTION**

FIG. 1 is a top view of a quick connect receptacle showing my new design;  
FIG. 2 is a front elevational view thereof, the rear elevational view being identical;  
FIG. 3 is a right side elevational view thereof, the left side elevational view being identical;  
FIG. 4 is a bottom view thereof;  
FIG. 5 is a perspective view thereof; and,  
FIG. 6 is a front, cross-sectional view thereof in the direction of line 6-6 of FIG. 1.  
The broken line portion of the figure drawings is included to show unclaimed subject matter only and forms no part of the claimed design.

**1 Claim, 6 Drawing Sheets**



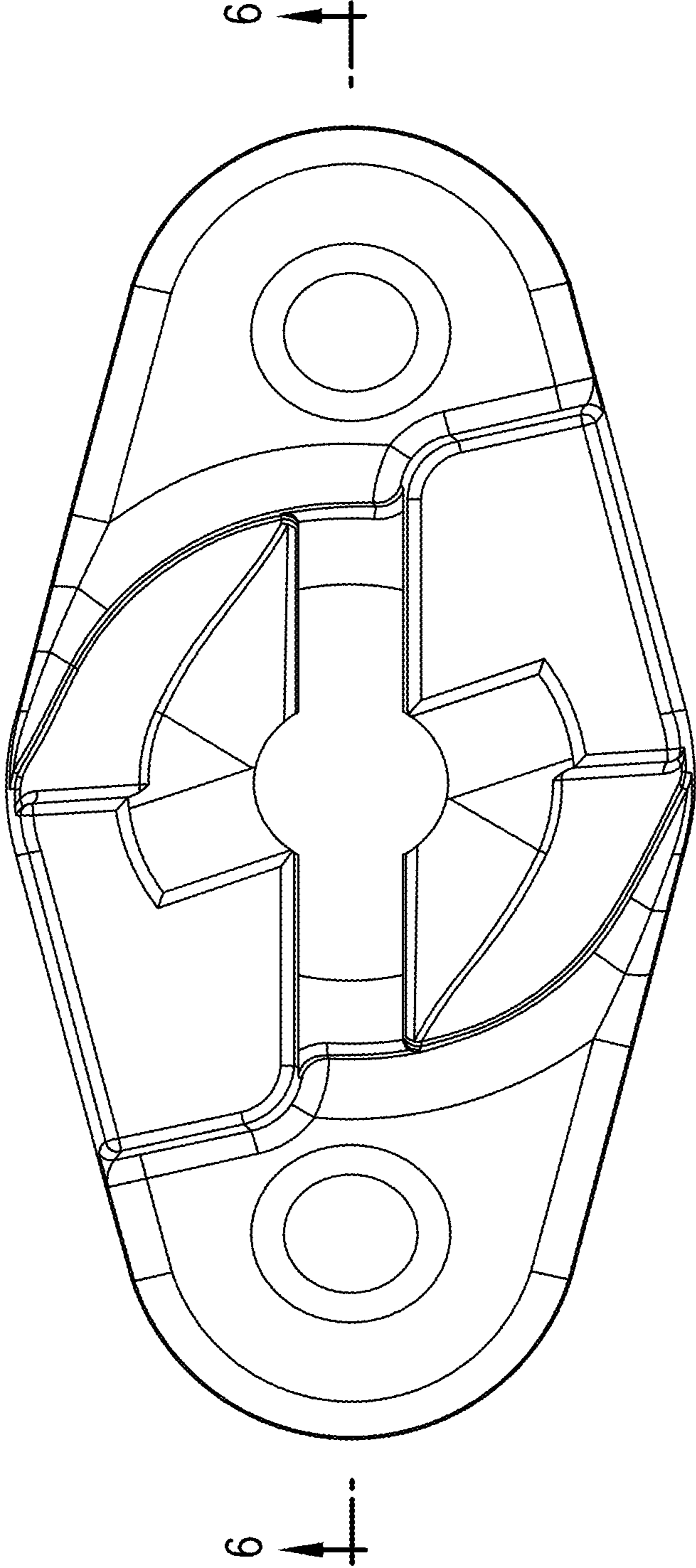


FIG.1

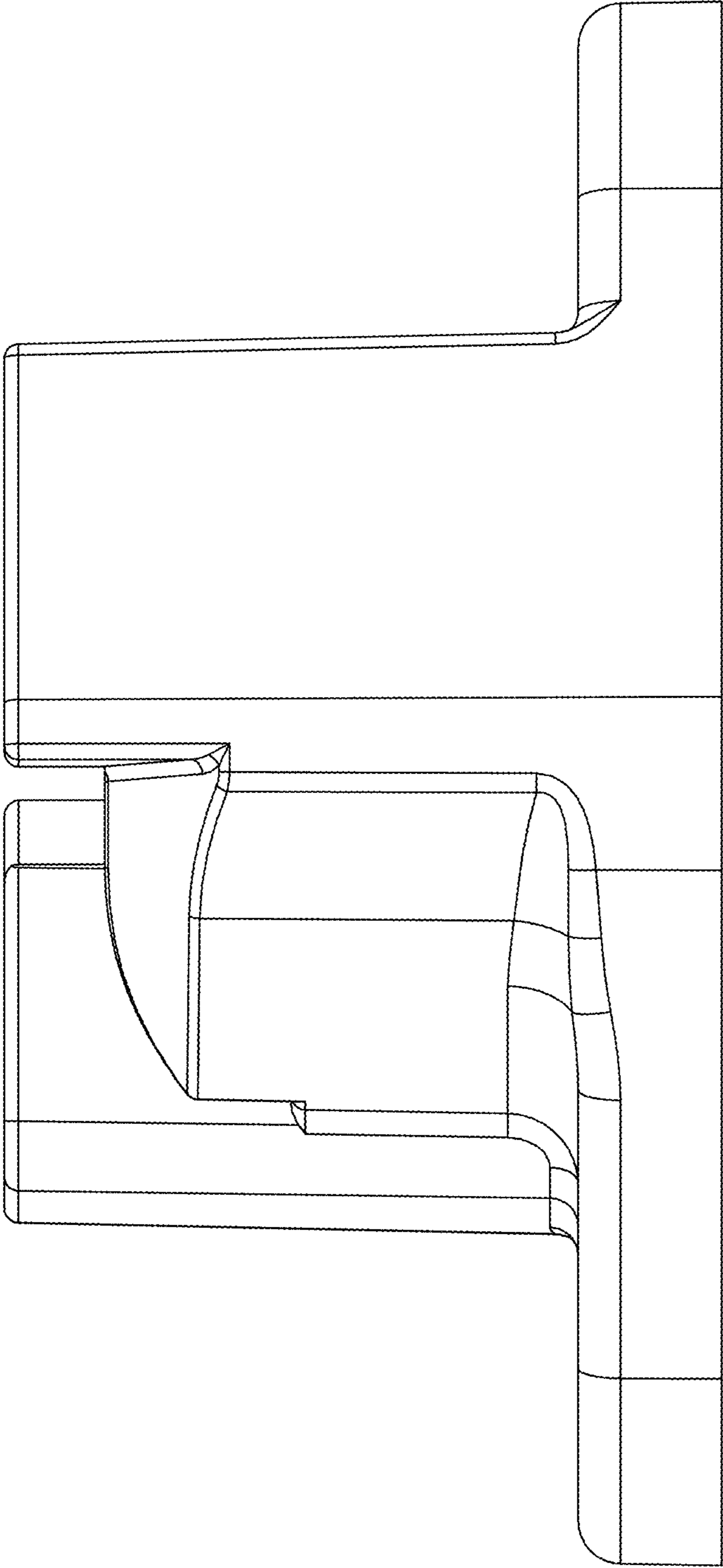


FIG. 2

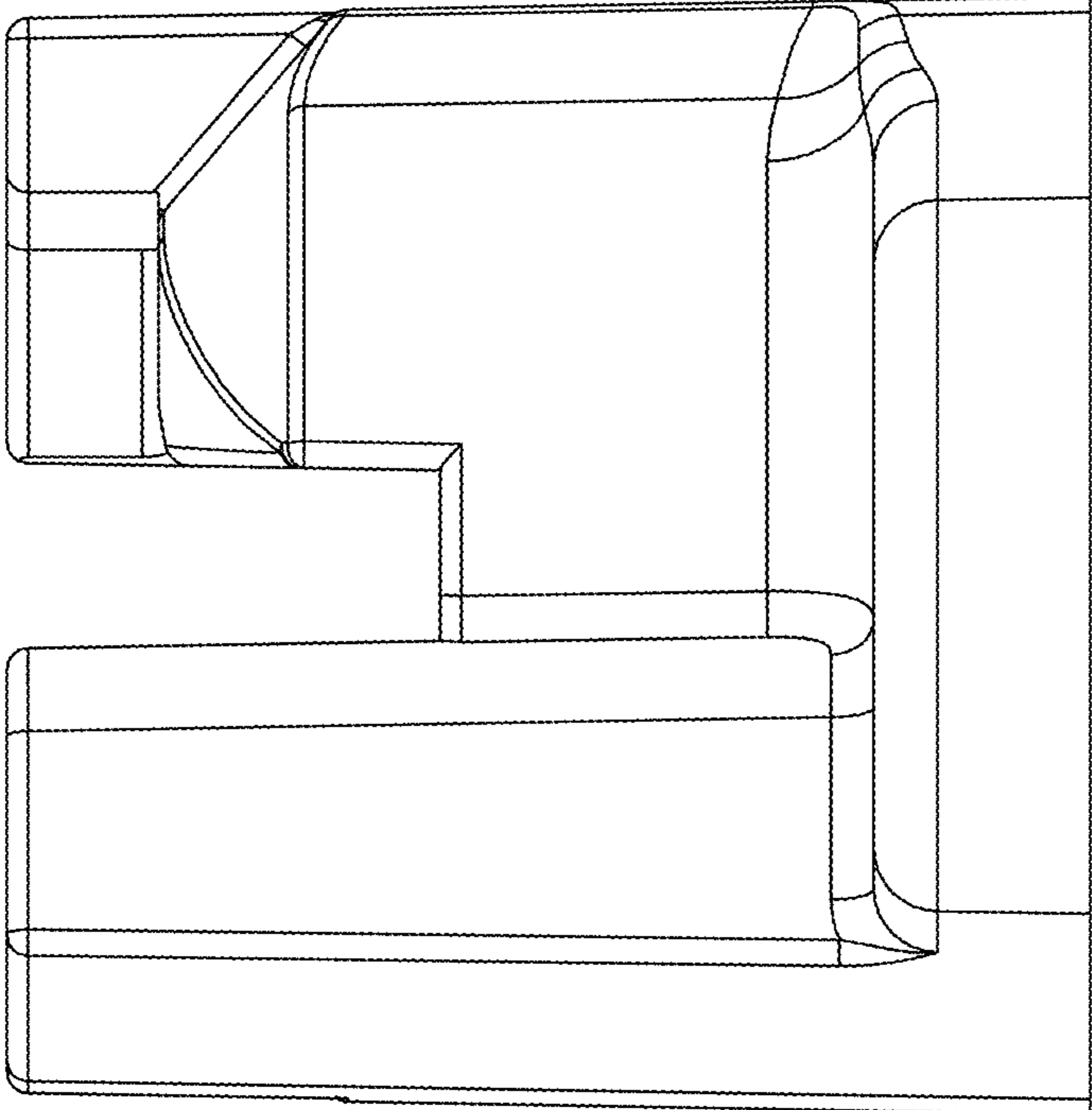


FIG. 3

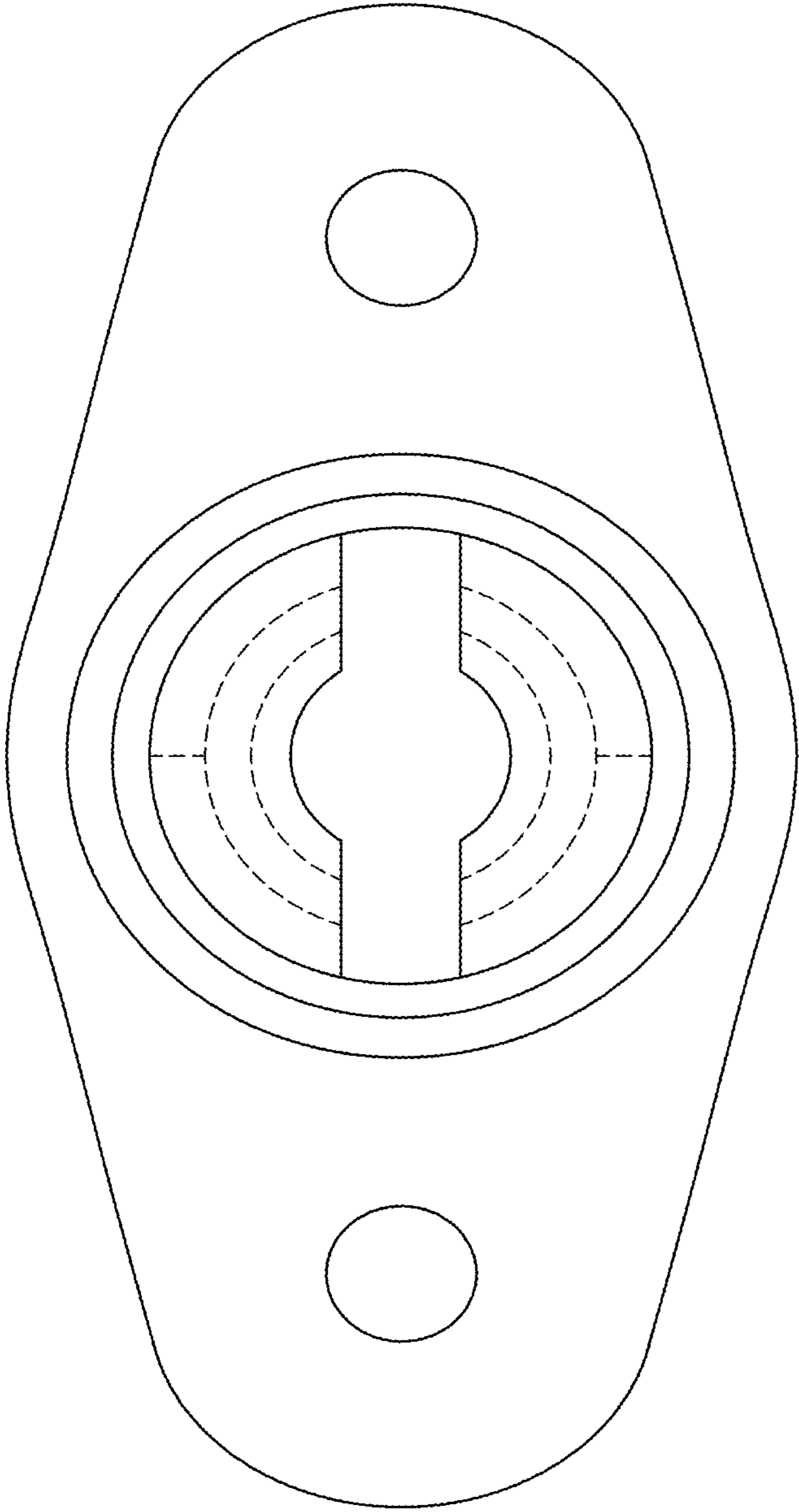


FIG.4

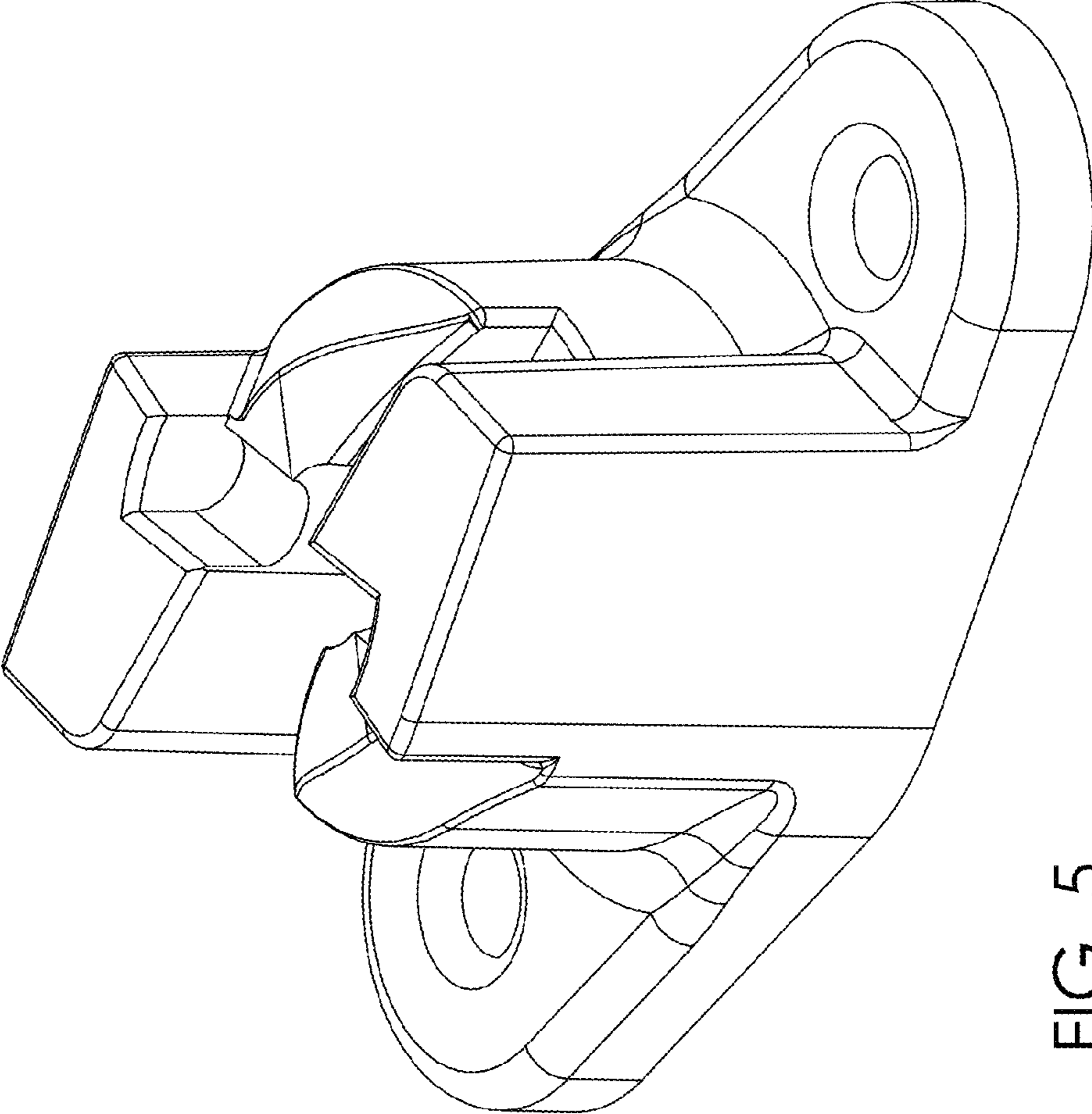


FIG. 5

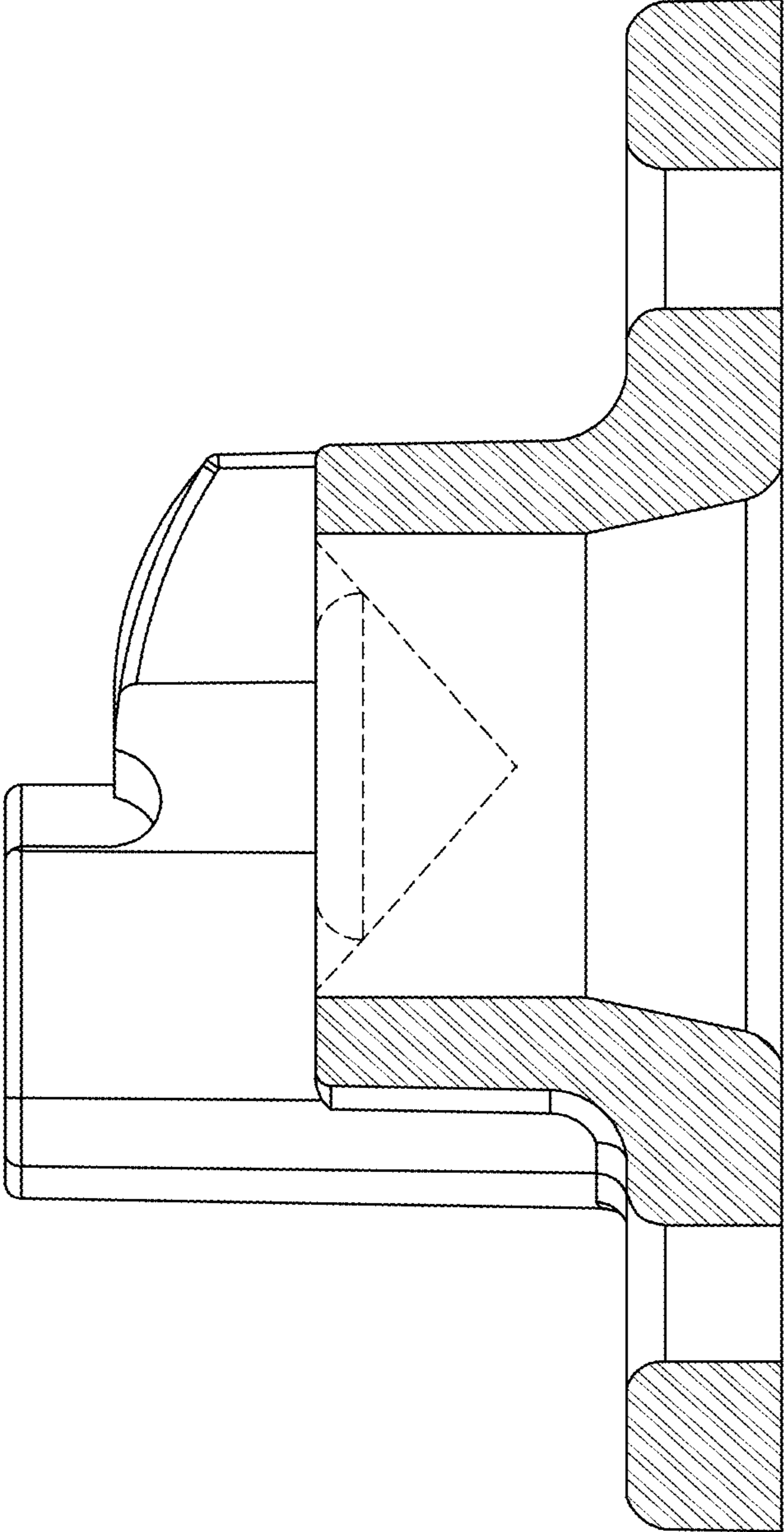


FIG. 6