



US00D747951S

(12) **United States Design Patent**  
**Jacobsen et al.**

(10) **Patent No.:** **US D747,951 S**  
(45) **Date of Patent:** **\*\* Jan. 26, 2016**

(54) **LATCH**

(71) Applicant: **Rtic Coolers, LLC**, Houston, TX (US)

(72) Inventors: **Jim Jacobsen**, Houston, TX (US); **John Jacobsen**, Houston, TX (US)

(73) Assignee: **Rtic Coolers, LLC**, Houston, TX (US)

(\*\*) Term: **14 Years**

(21) Appl. No.: **29/508,779**

(22) Filed: **Nov. 11, 2014**

(51) **LOC (10) Cl.** ..... **08-07**

(52) **U.S. Cl.**  
USPC ..... **D8/331; D8/343**

(58) **Field of Classification Search**  
USPC ..... D8/330, 331, 341, 343, 301, 302,  
D8/336-338, 345; 70/14, 64-76, 141, 142,  
70/119, 111, 164, 240, DIG. 80, 79, 80,  
70/465, 466; 292/358, 359, 348, 256,  
292/256.5, 247, DIG. 31, DIG. 49, DIG. 63,  
292/5, 8, 11, 18, 109, DIG. 30, DIG. 42,  
292/DIG. 43, DIG. 68; D3/232, 900, 903;  
220/324, 833, 834; 190/900, 902, 10,  
190/19, 100; 206/6.1  
CPC ..... E05C 1/00; E05C 1/002; E05C 1/08;  
E05C 1/10; E05C 3/00; E05C 3/002; E05C  
3/12; E05C 3/16; E05C 19/08  
See application file for complete search history.

(56) **References Cited**

U.S. PATENT DOCUMENTS

4,674,777 A \* 6/1987 Guelck ..... E05C 3/045  
292/101  
D293,077 S \* 12/1987 Wickman ..... D8/338  
5,103,994 A \* 4/1992 Doxey ..... B65D 45/20  
220/318  
D333,775 S \* 3/1993 Krape ..... D8/331

5,984,383 A \* 11/1999 Parikh ..... E05B 1/0092  
292/121  
D454,292 S \* 3/2002 Plummer ..... D8/331  
6,398,272 B1 \* 6/2002 Plummer ..... E05C 19/10  
292/246  
D469,681 S \* 2/2003 Votruba ..... D8/343  
6,561,554 B2 \* 5/2003 Colbert ..... E05C 3/14  
292/128  
6,575,505 B1 \* 6/2003 Dimig ..... E05B 85/01  
292/216  
D492,184 S \* 6/2004 Parker ..... D8/331  
D712,720 S 9/2014 Seiders  
D712,721 S 9/2014 Seiders  
D712,722 S 9/2014 Seiders  
D712,723 S 9/2014 Seiders  
D714,125 S 9/2014 Seiders  
D717,152 S \* 11/2014 Weinerman ..... D8/331  
8,910,819 B2 12/2014 Seiders

\* cited by examiner

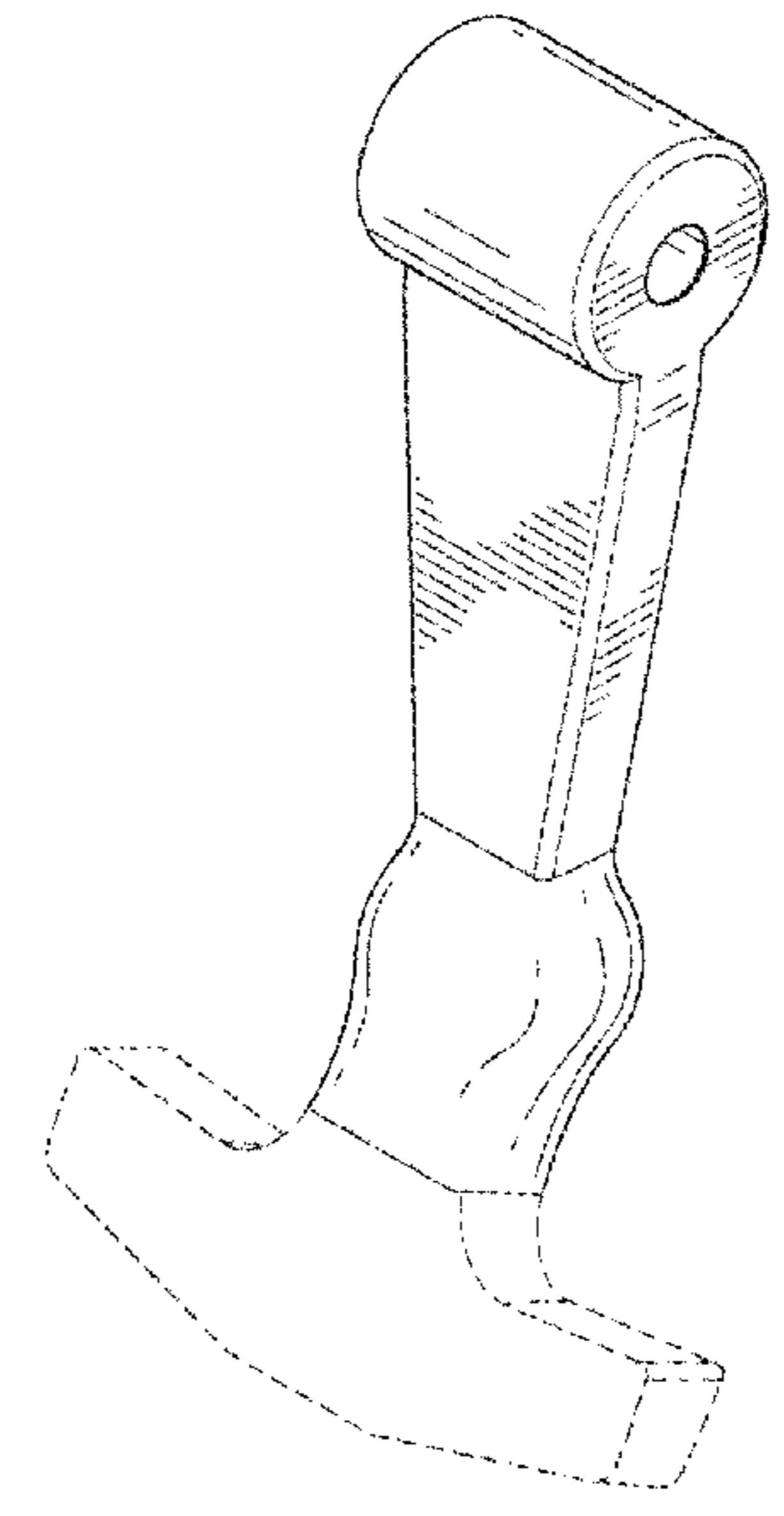
*Primary Examiner* — Prabhakar Deshmukh  
(74) *Attorney, Agent, or Firm* — Jackson Walker L.L.P.

(57) **CLAIM**  
The ornamental design for a latch, as shown and described.

**DESCRIPTION**

FIG. 1 is a top, front, left perspective view of a latch showing my new design;  
FIG. 2 is a front elevational view thereof;  
FIG. 3 is a rear elevational view thereof;  
FIG. 4 is a left side elevational view thereof;  
FIG. 5 is a right side elevational view thereof;  
FIG. 6 is a top plan view thereof;  
FIG. 7 is a bottom plan view thereof; and,  
FIG. 8 is a perspective view thereof, shown in environmental use.  
The broken lines in FIG. 8 disclosing environment form no part of the claimed design. Other broken lines indicate unclaimed portions and form no part of the claimed design.

**1 Claim, 4 Drawing Sheets**



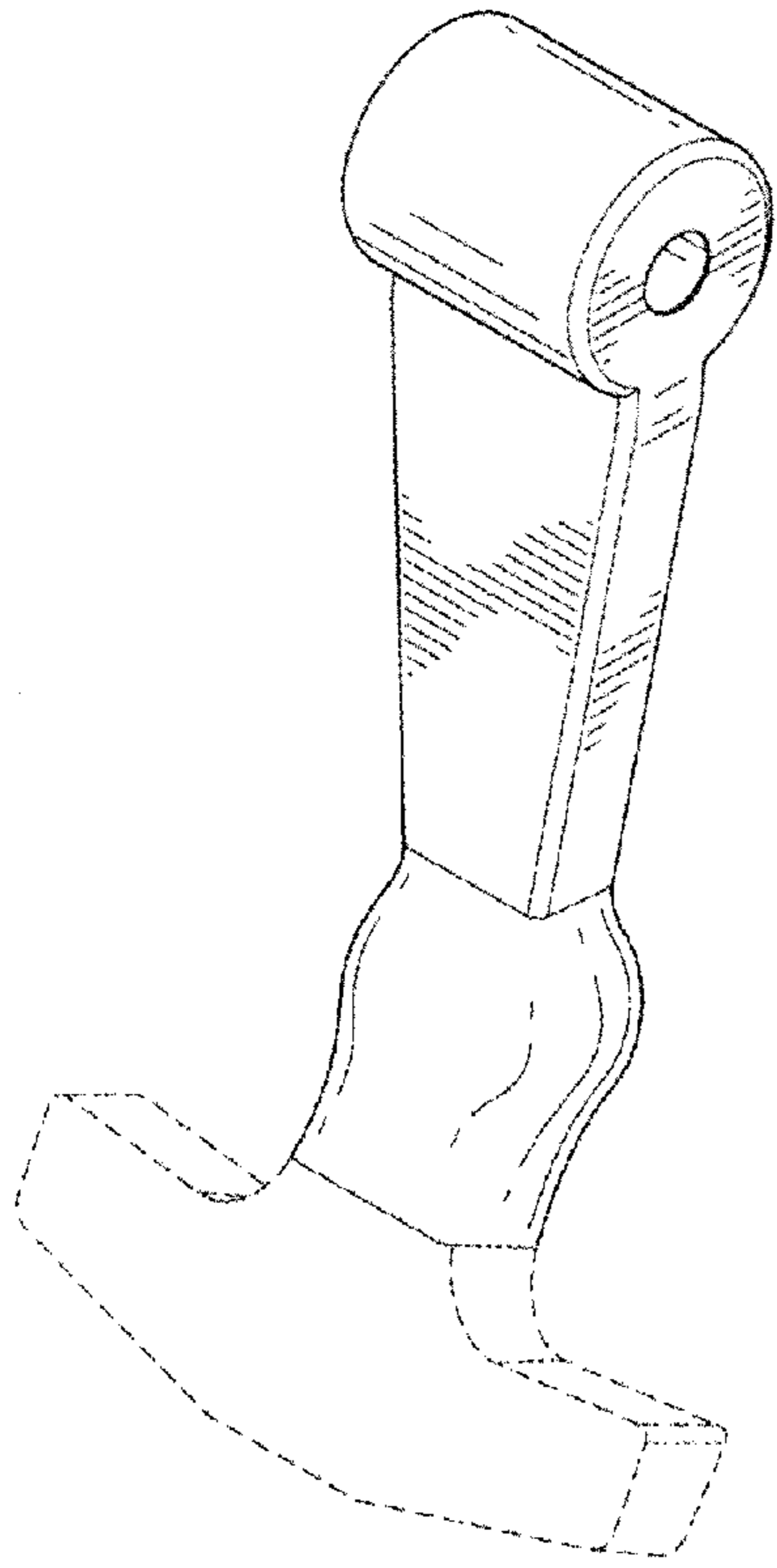


FIG. 1

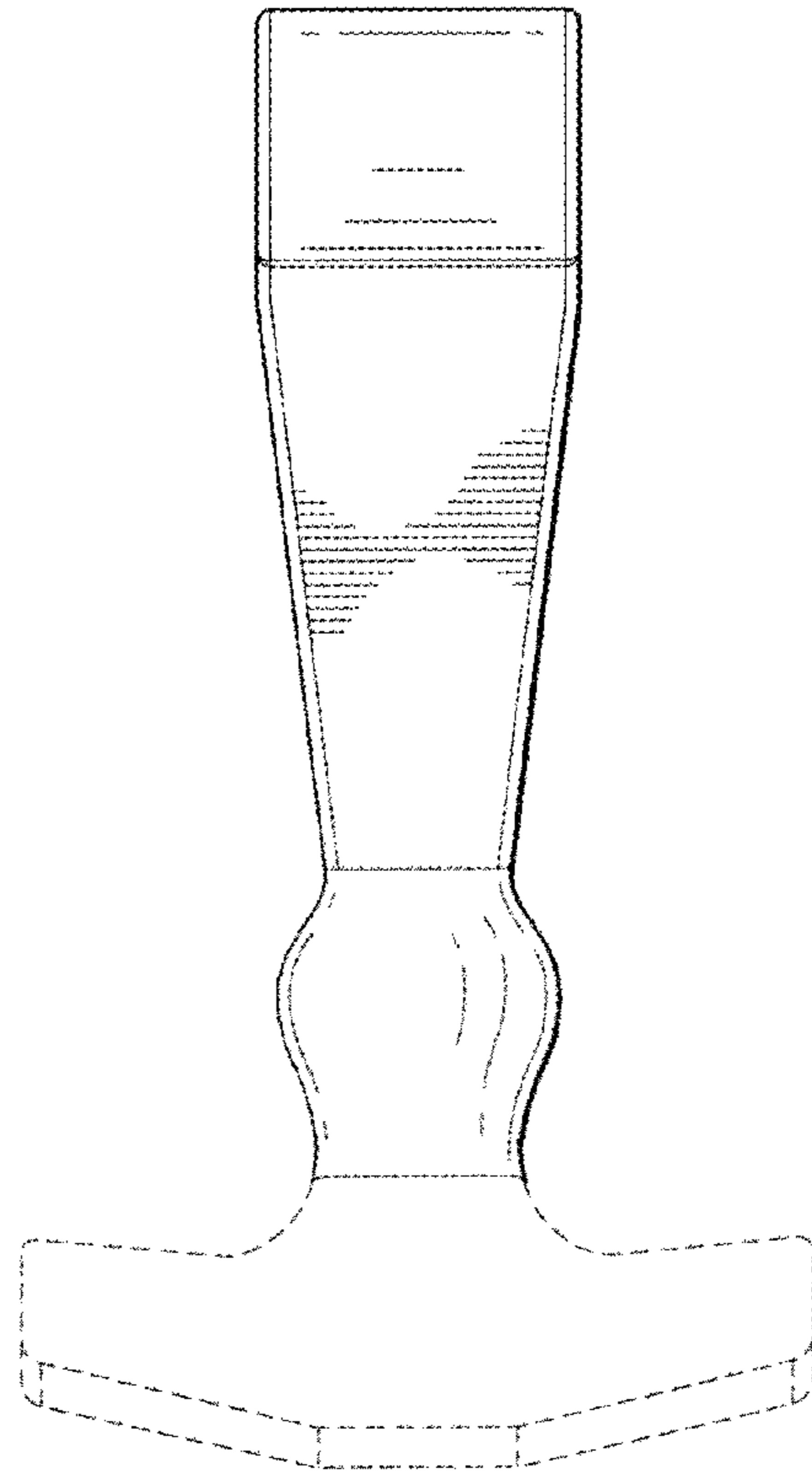


FIG. 2

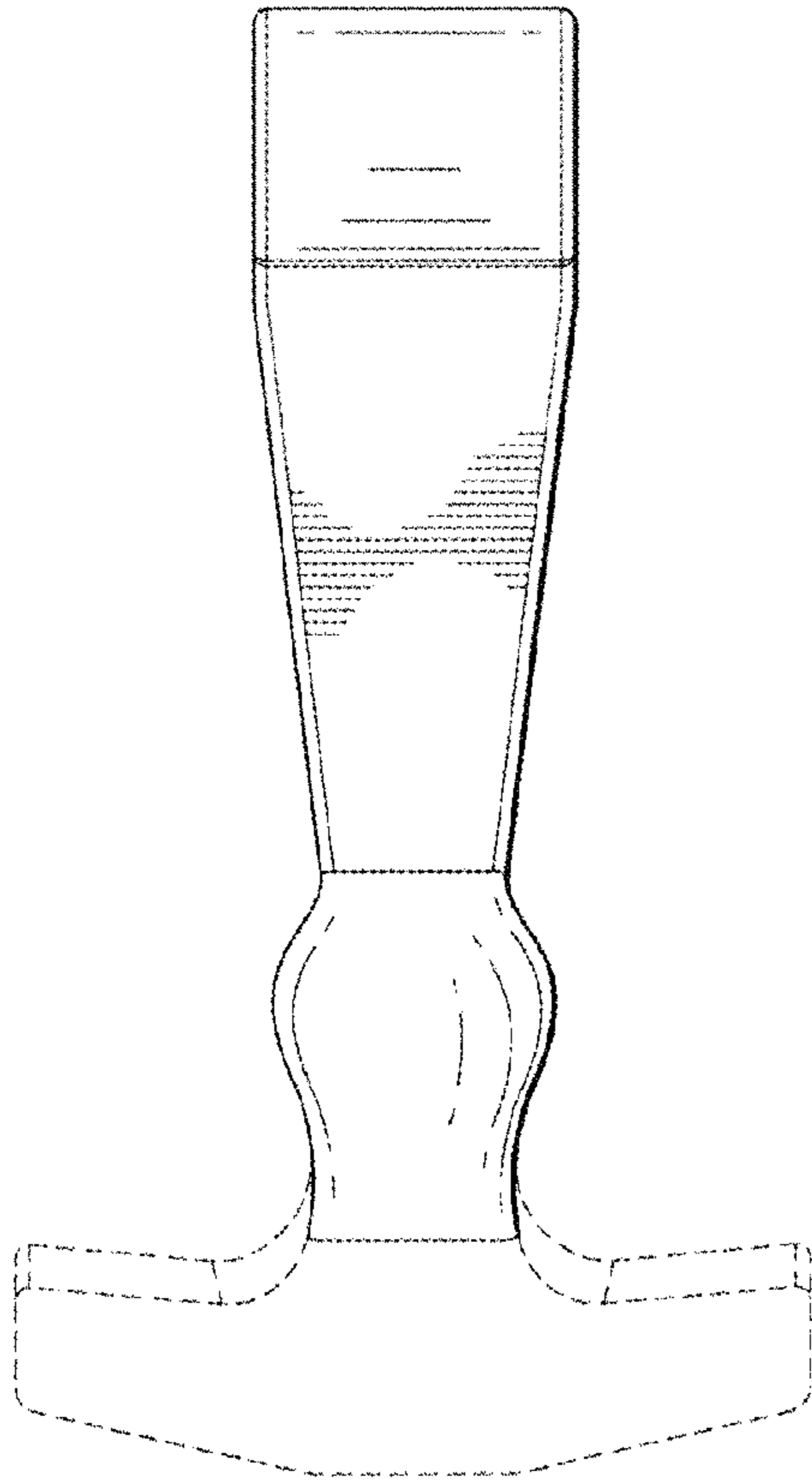


FIG. 3

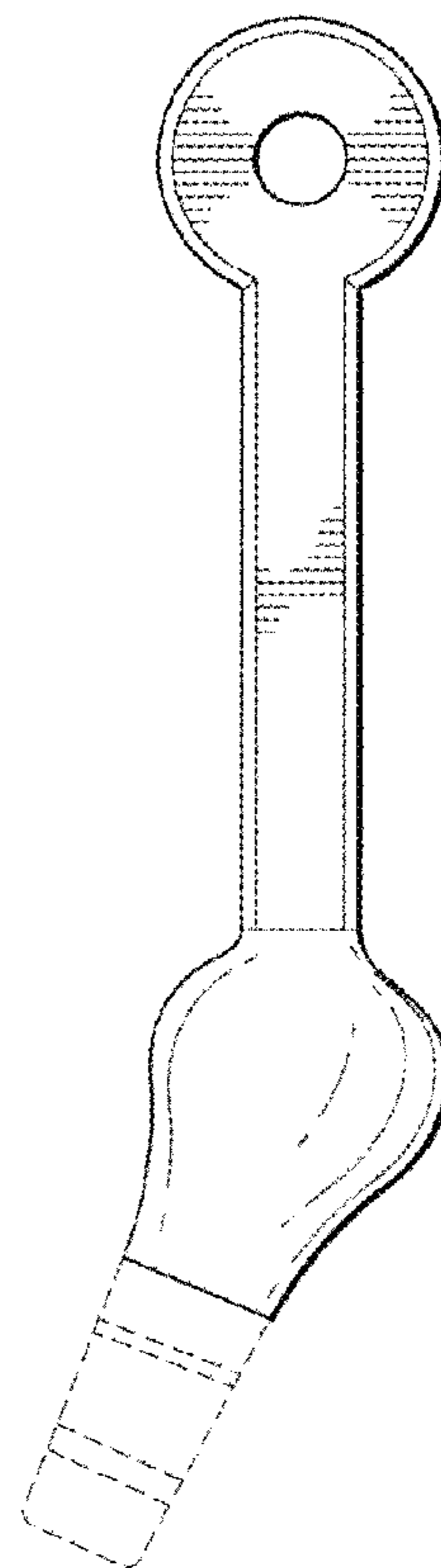


FIG. 4

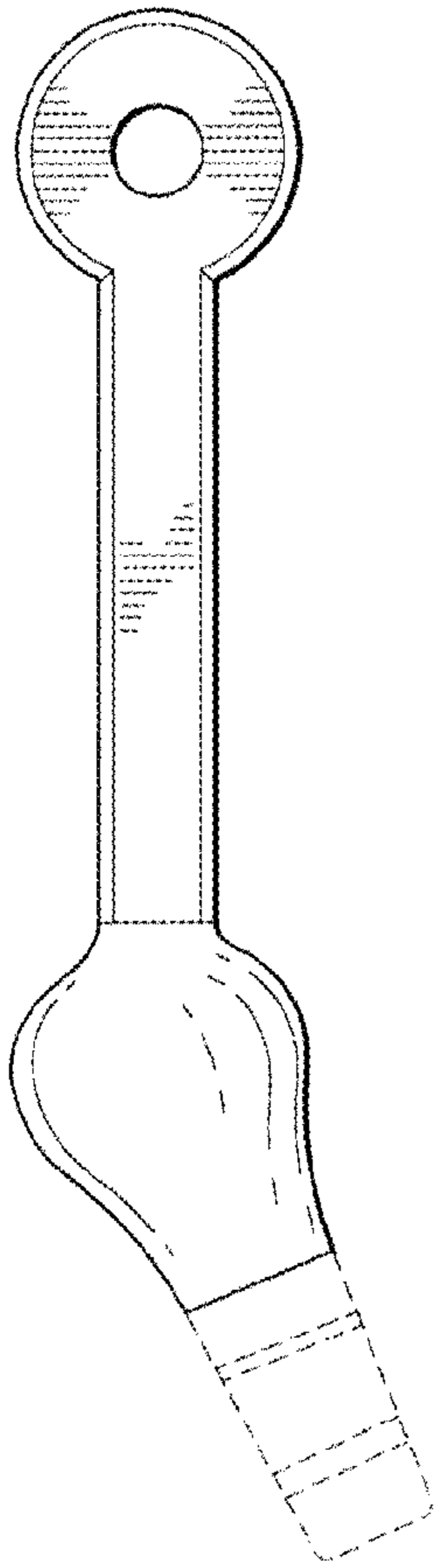


FIG. 5

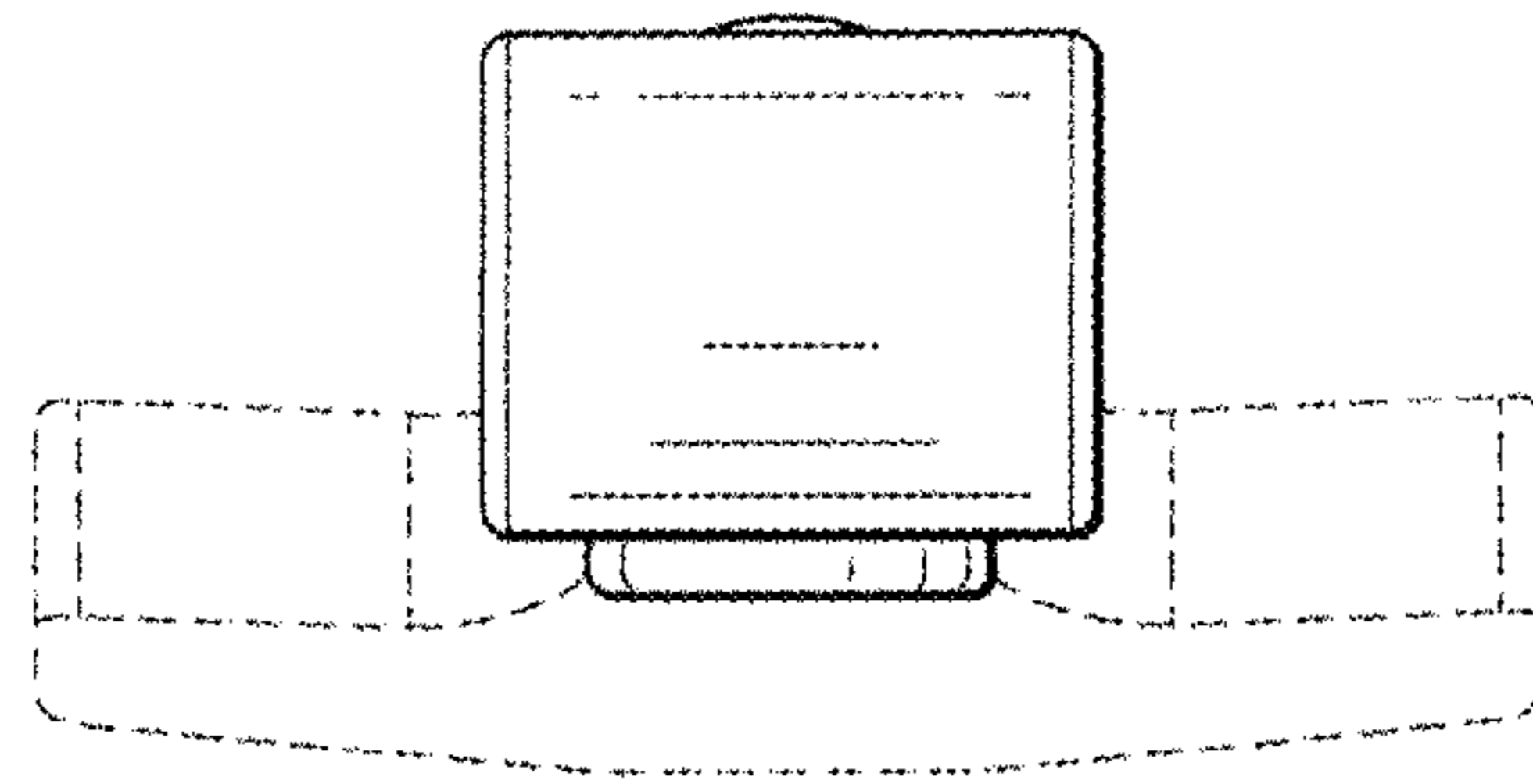


FIG. 6

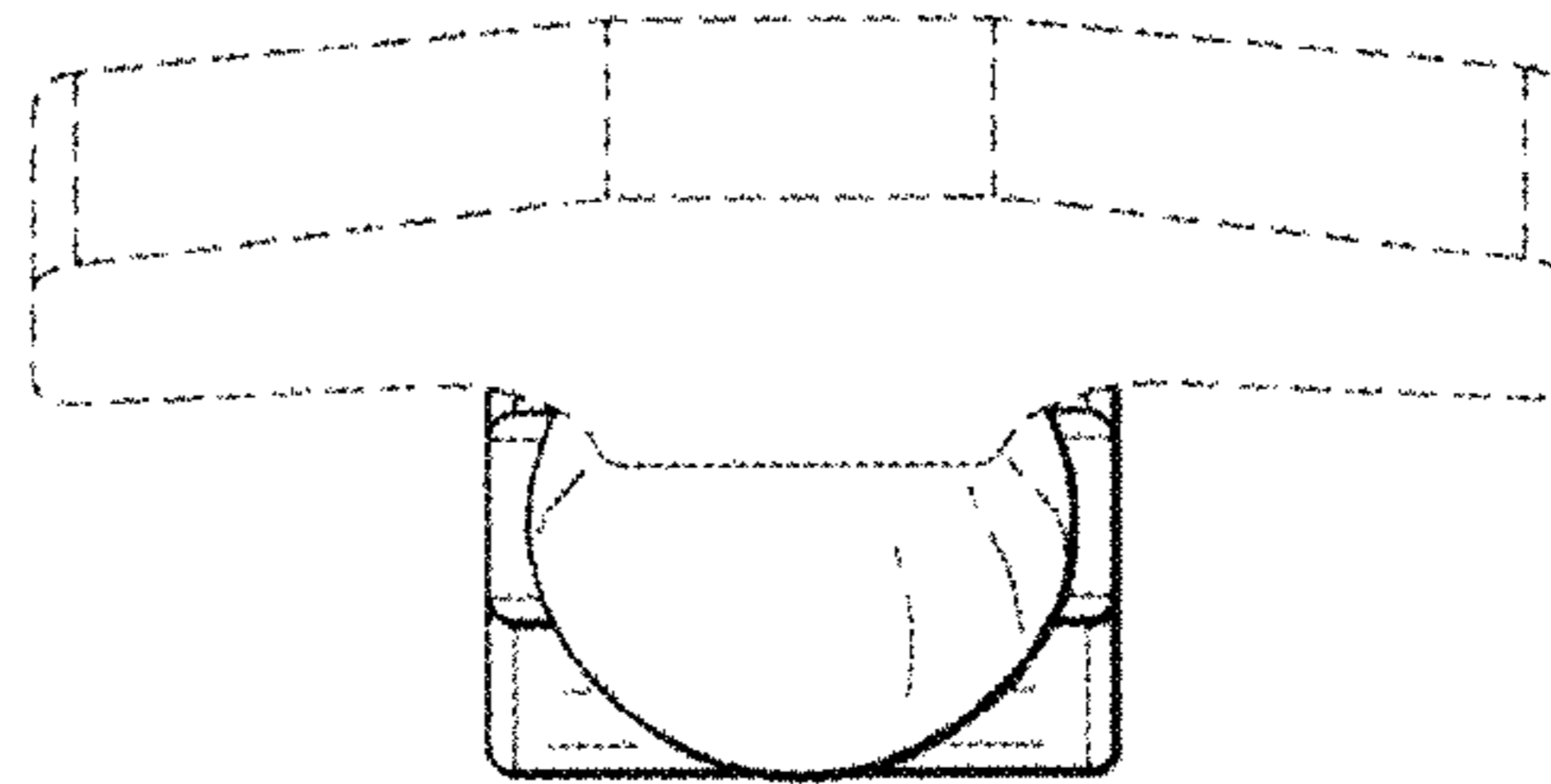


FIG. 7

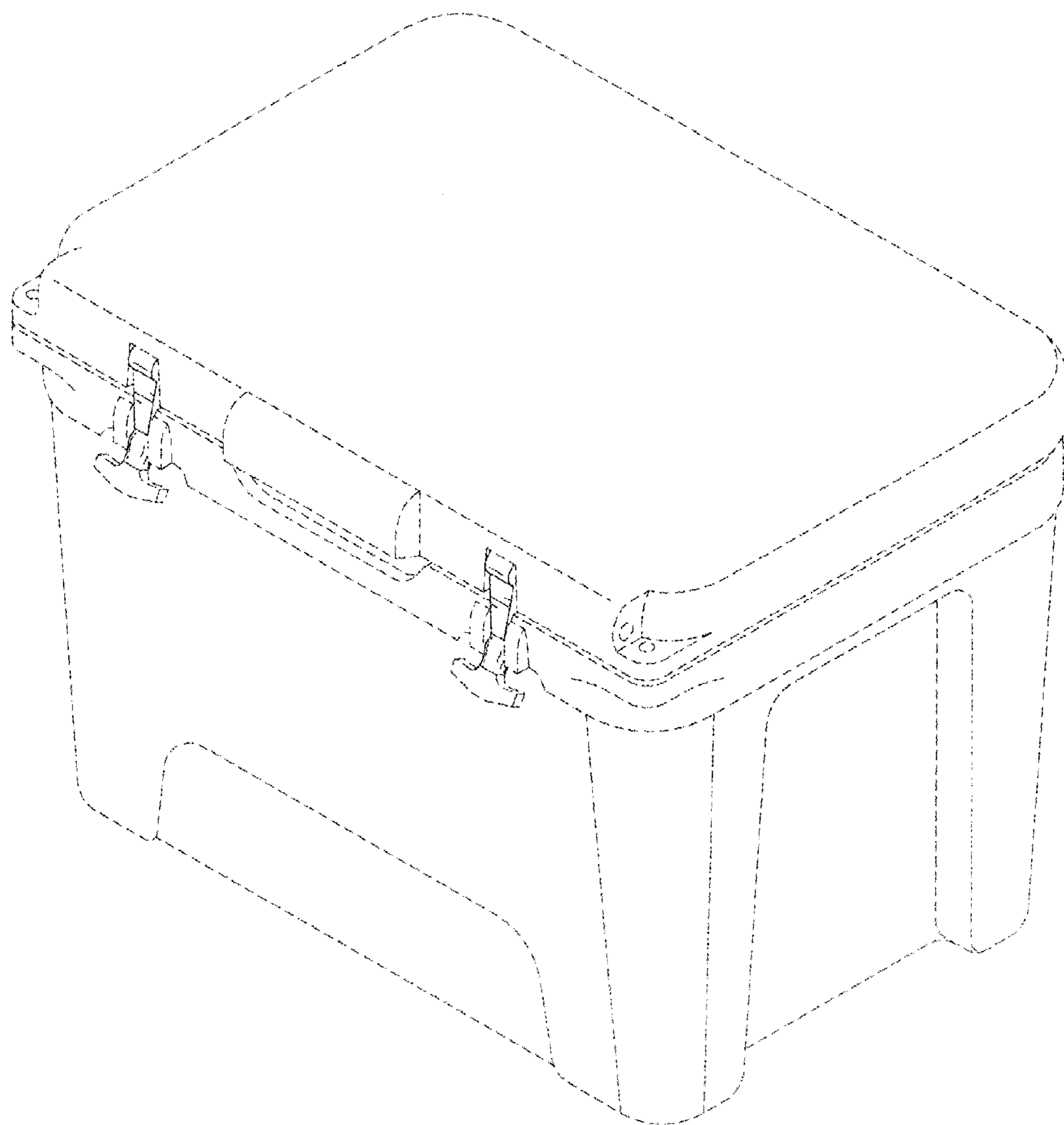


FIG. 8