



US00D747950S

(12) **United States Design Patent**
Jacobsen et al.

(10) **Patent No.:** **US D747,950 S**
(45) **Date of Patent:** **** Jan. 26, 2016**

(54) **LATCH**
(71) Applicant: **Rtic Coolers, LLC**, Houston, TX (US)
(72) Inventors: **Jim Jacobsen**, Houston, TX (US); **John Jacobsen**, Houston, TX (US)
(73) Assignee: **Rtic Coolers, LLC**, Houston, TX (US)
(**) Term: **14 Years**
(21) Appl. No.: **29/508,777**
(22) Filed: **Nov. 11, 2014**
(51) **LOC (10) Cl.** **08-07**
(52) **U.S. Cl.**
USPC **D8/331; D8/343**
(58) **Field of Classification Search**
USPC D8/330, 331, 341, 343, 301, 302,
D8/336-338, 345; 70/14, 64-76, 141, 142,
70/119, 111, 164, 240, DIG. 80, 79, 80,
70/465, 466; 292/358, 359, 348, 256,
292/256.5, 247, DIG. 31, DIG. 49, DIG. 63,
292/5, 8, 11, 18, 109, DIG. 30, DIG. 42,
292/DIG. 43, DIG. 68; D3/232, 900, 903;
220/324, 833, 834; 190/900, 902, 10,
190/19, 100; 206/6.1
CPC E05C 1/00; E05C 1/002; E05C 1/08;
E05C 1/10; E05C 3/00; E05C 3/002; E05C
3/12; E05C 3/16; E05C 19/08
See application file for complete search history.

5,984,383 A * 11/1999 Parikh E05B 1/0092
292/121
D454,292 S * 3/2002 Plummer D8/331
6,398,272 B1 * 6/2002 Plummer E05C 19/10
292/246
D469,681 S * 2/2003 Votruba D8/343
6,561,554 B2 * 5/2003 Colbert E05C 3/14
292/128
6,575,505 B1 * 6/2003 Dimig E05B 85/01
292/216
D492,184 S * 6/2004 Parker D8/331
D712,720 S 9/2014 Seiders
D712,721 S 9/2014 Seiders
D712,722 S 9/2014 Seiders
D712,723 S 9/2014 Seiders
D714,125 S 9/2014 Seiders
D717,152 S * 11/2014 Weinerman D8/331
8,910,819 B2 12/2014 Seiders

* cited by examiner

Primary Examiner — Prabhakar Deshmukh
(74) *Attorney, Agent, or Firm* — Jackson Walker L.L.P.

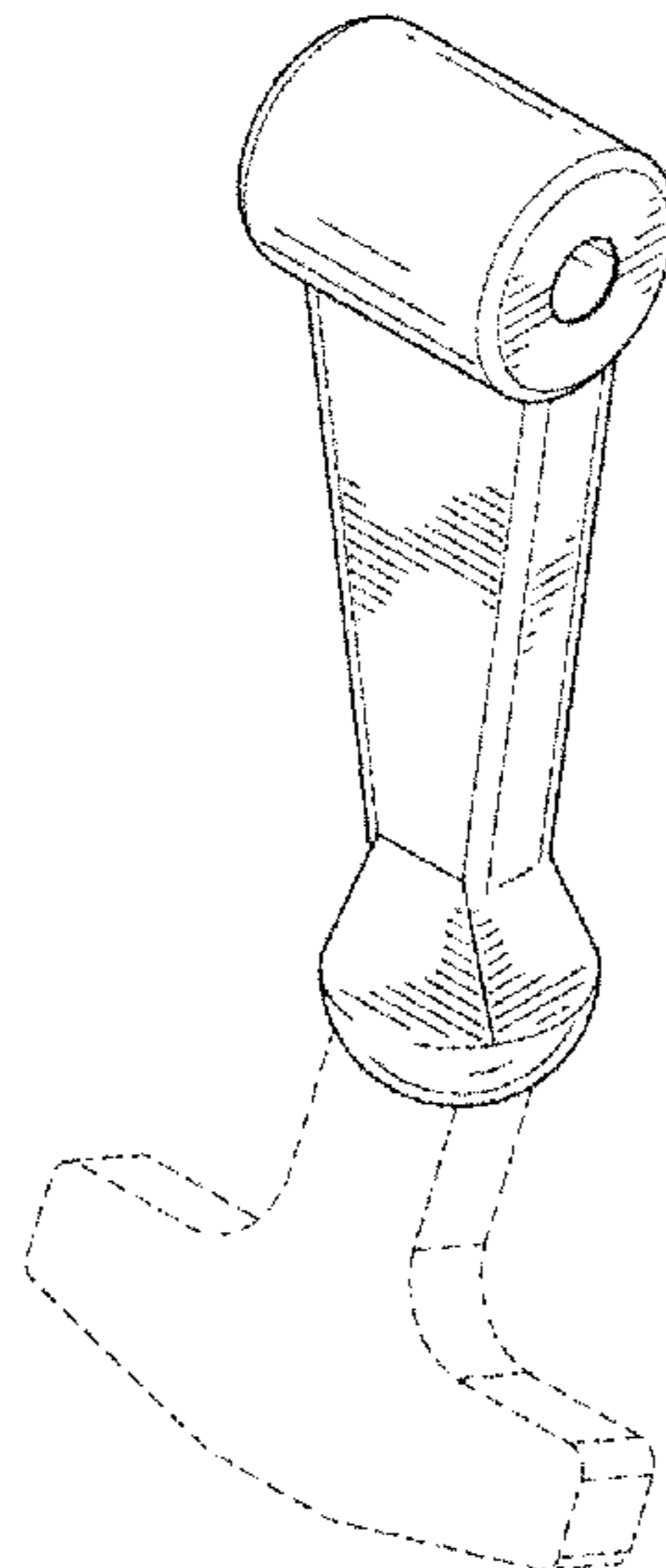
(57) **CLAIM**
The ornamental design for a latch, as shown and described.

DESCRIPTION

FIG. 1 is a top, front, left perspective view of a latch showing my new design;
FIG. 2 is a front elevational view thereof;
FIG. 3 is a rear elevational view thereof;
FIG. 4 is a left side elevational view thereof;
FIG. 5 is a right side elevational view thereof;
FIG. 6 is a top plan view thereof;
FIG. 7 is a bottom plan view thereof; and,
FIG. 8 is a perspective view thereof, shown in environmental use.
The broken lines in FIG. 8 disclosing environment form no part of the claimed design. Other broken lines indicate unclaimed portions and form no part of the claimed design.

1 Claim, 4 Drawing Sheets

(56) **References Cited**
U.S. PATENT DOCUMENTS
4,674,777 A * 6/1987 Guelck E05C 3/045
292/101
D293,077 S * 12/1987 Wickman D8/338
5,103,994 A * 4/1992 Doxey B65D 45/20
220/318
D333,775 S * 3/1993 Krape D8/331



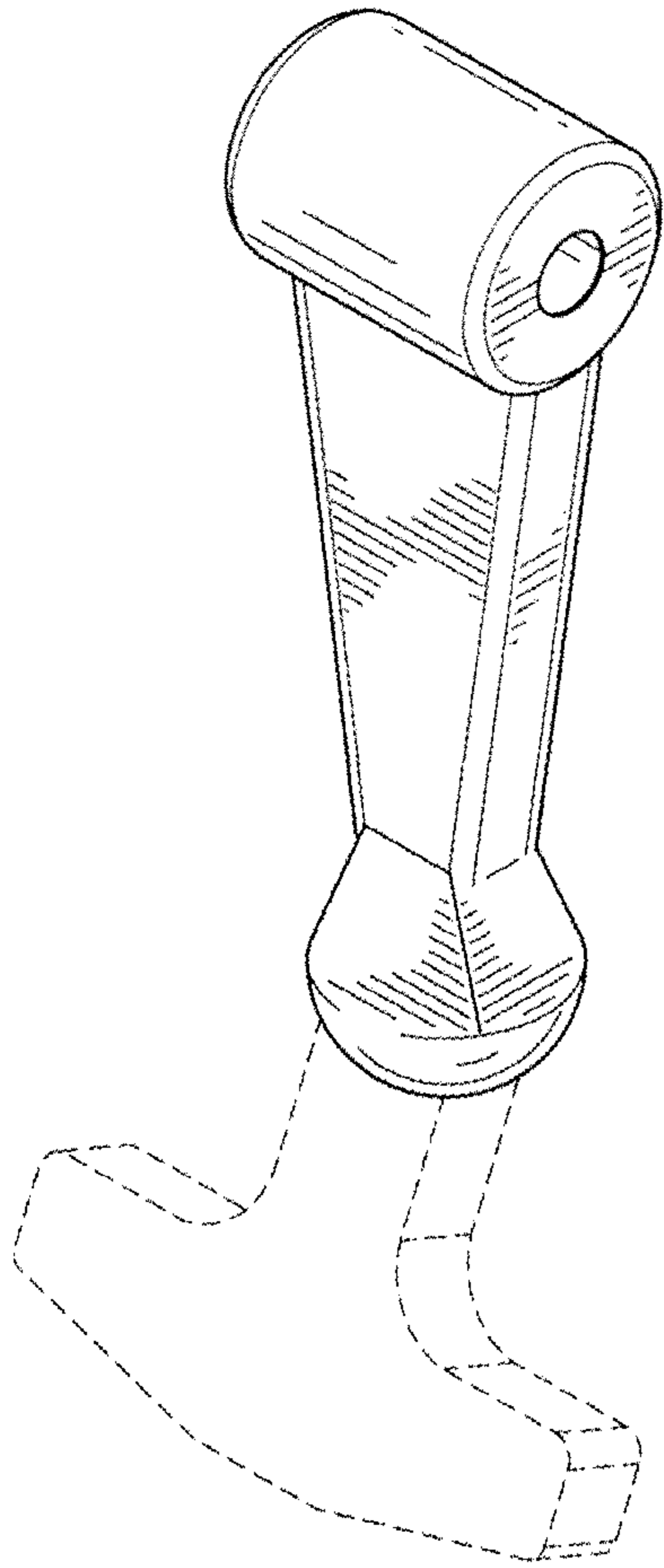


FIG. 1

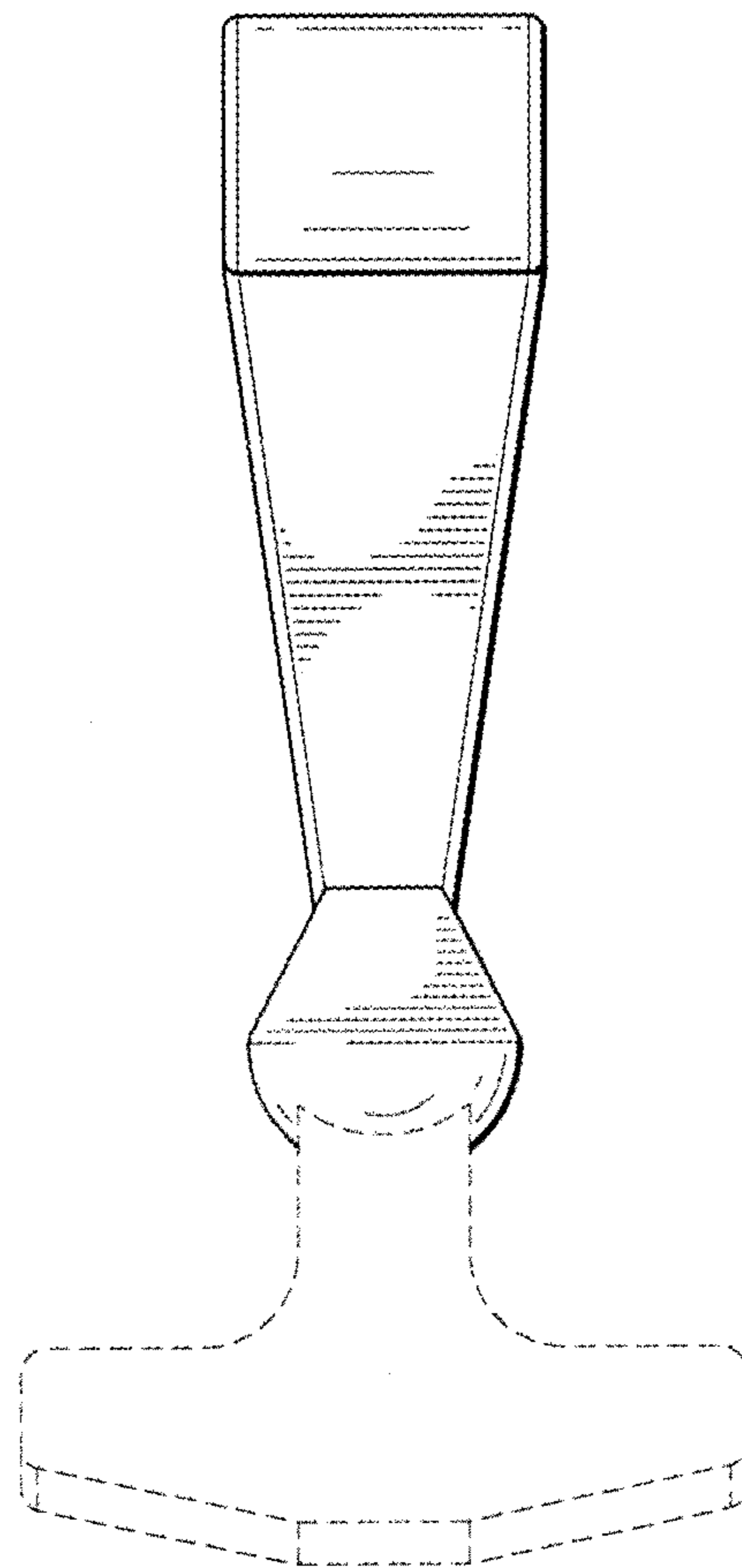


FIG. 2

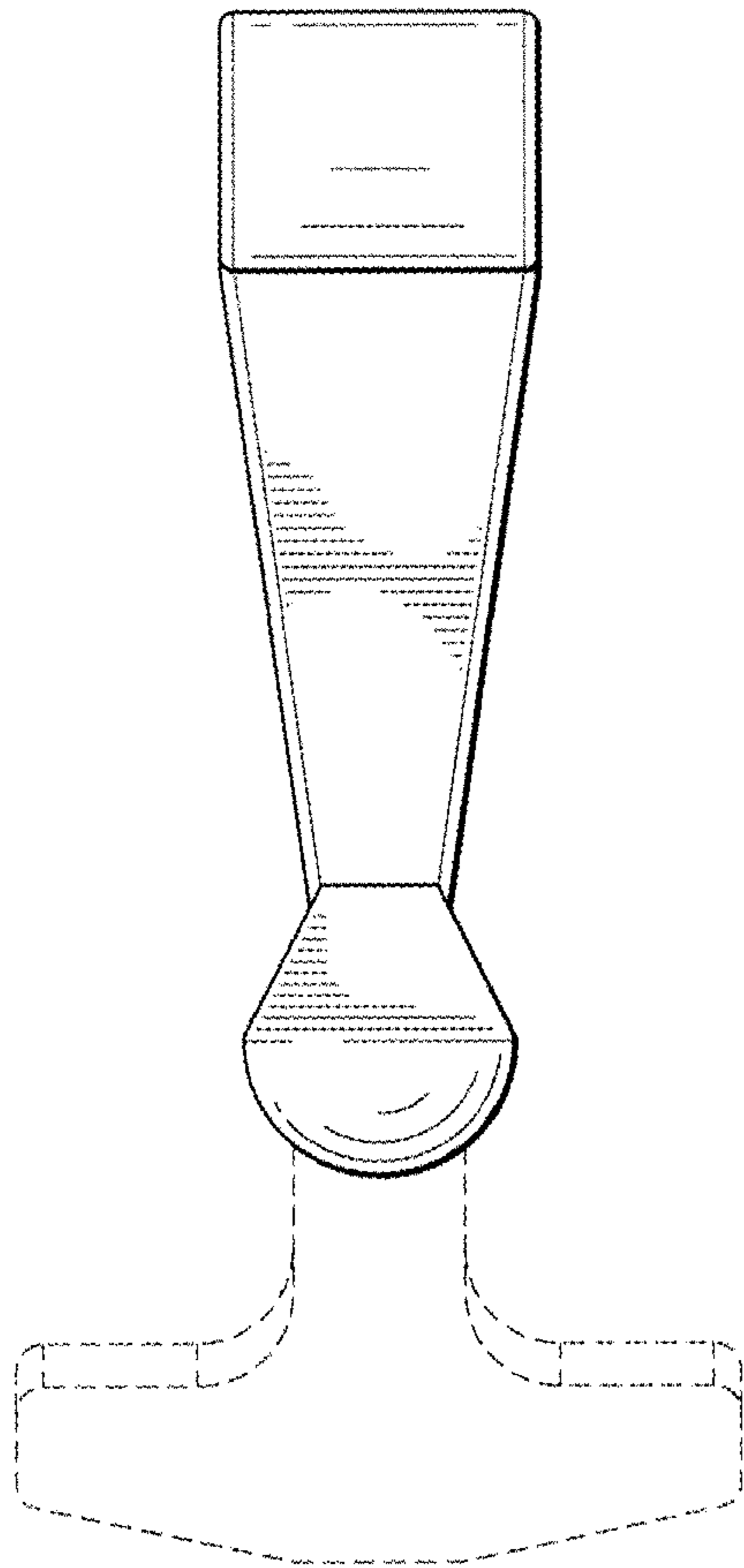


FIG. 3

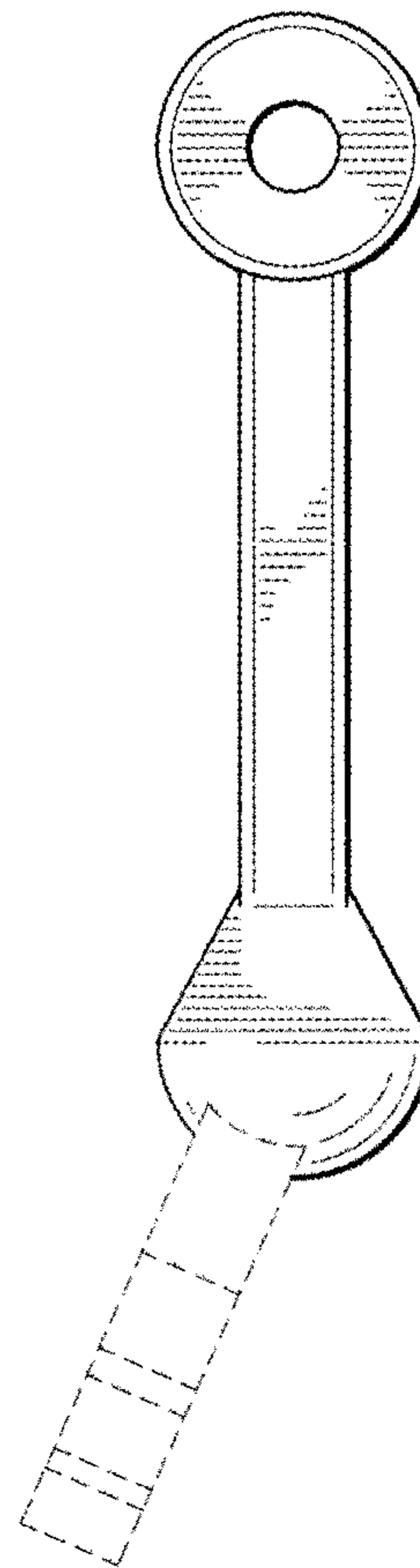


FIG. 4

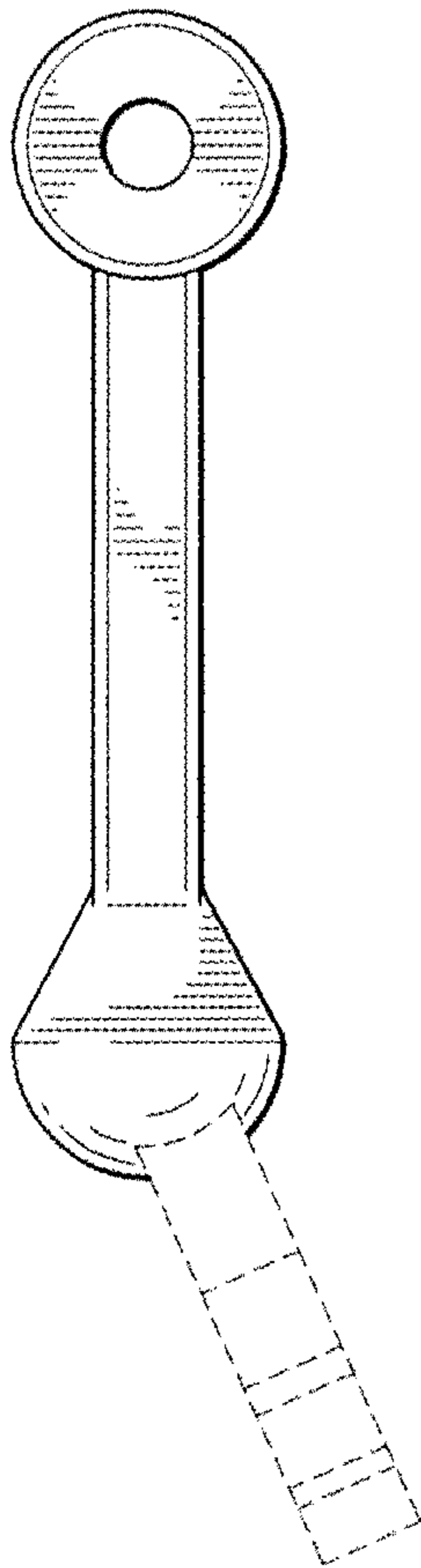


FIG. 5

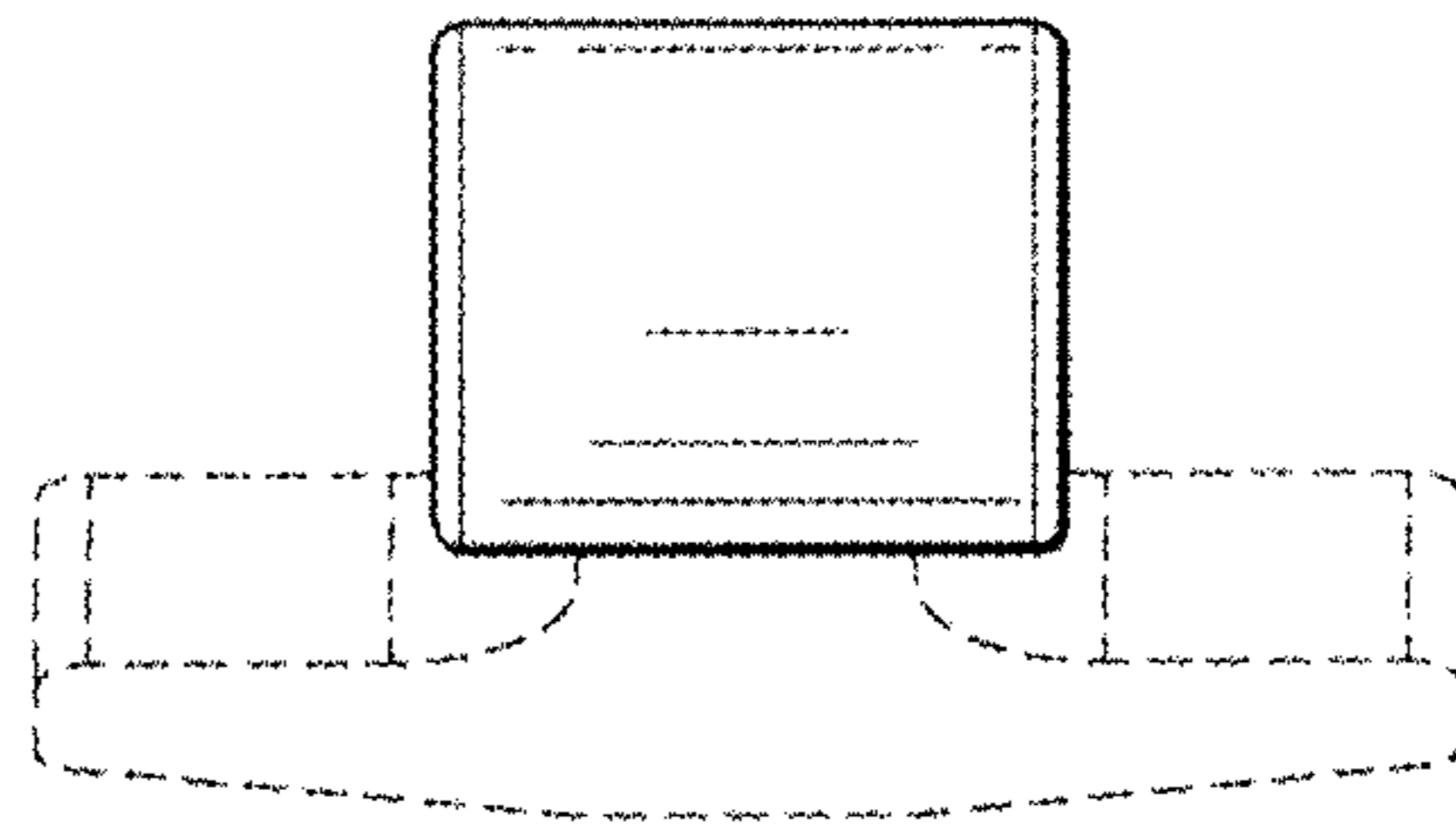


FIG. 6

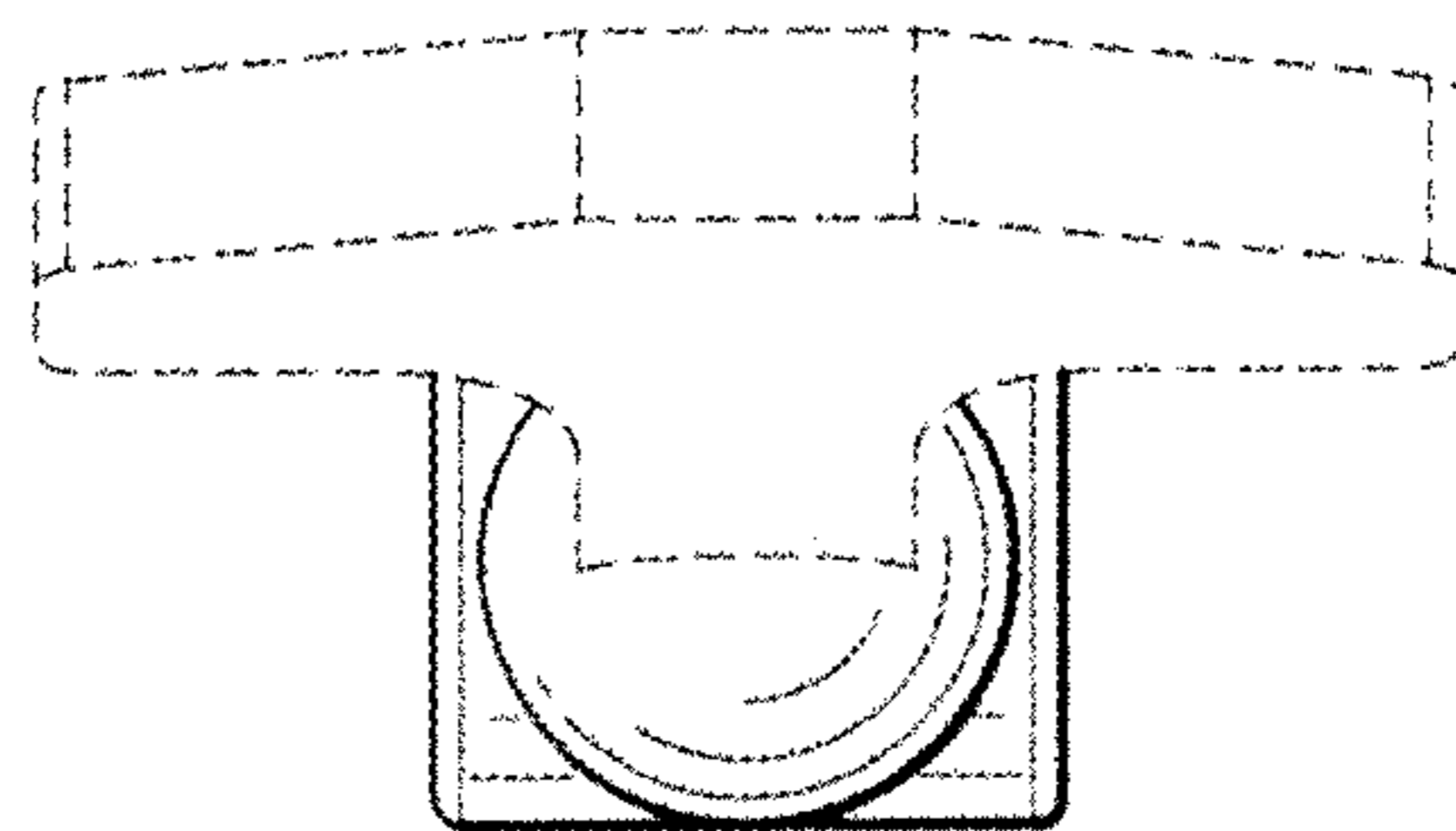


FIG. 7

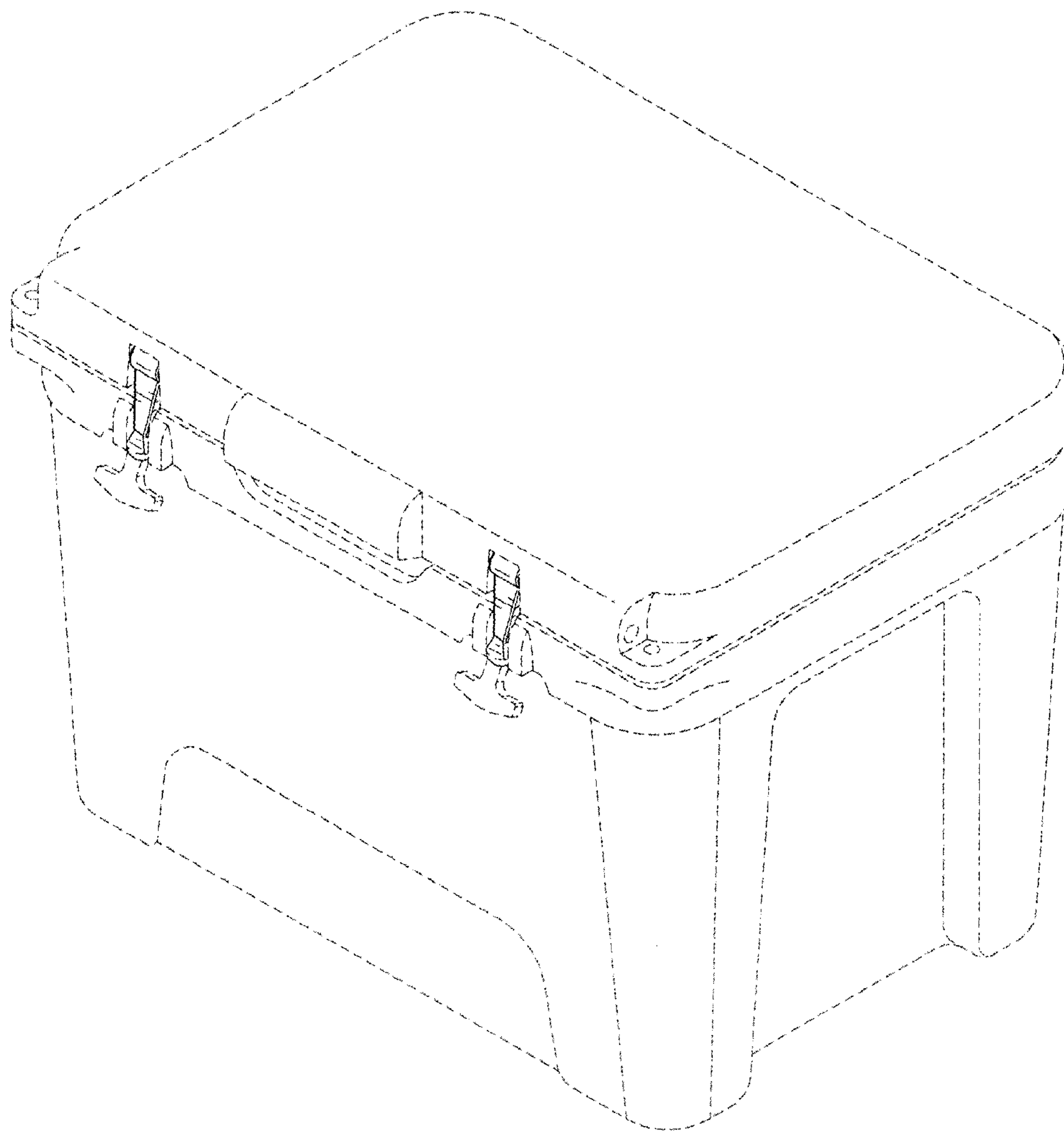


FIG. 8