



US00D747949S

(12) **United States Design Patent**
Lindo et al.

(10) **Patent No.:** **US D747,949 S**
(45) **Date of Patent:** **** Jan. 26, 2016**

(54) **HINGE ASSEMBLY**
(71) Applicant: **Southco, Inc.**, Concordville, PA (US)
(72) Inventors: **Benjamin Gerald Lindo**, Philadelphia, PA (US); **John Joseph Todd, Jr.**, Springfield, PA (US); **James Joseph Ford**, West Chester, PA (US); **Todd Michael Schwanger**, Coatesville, PA (US)

5,412,842 A * 5/1995 Riblett E05D 5/12
16/250
D436,515 S * 1/2001 Sonntag D8/328
D584,130 S * 1/2009 Bertani D8/328
D635,433 S * 4/2011 Le D8/327
D649,009 S * 11/2011 Caffin D8/323
8,151,414 B2 * 4/2012 Baudasse et al. B64G 1/222
16/227
D661,173 S * 6/2012 Caffin D8/323
D673,024 S * 12/2012 Caffin D8/323
D719,009 S * 12/2014 Russo D8/323
D719,011 S * 12/2014 Russo D8/323

(73) Assignee: **Southco, Inc.**, Concordville, PA (US)

* cited by examiner

(**) Term: **14 Years**

Primary Examiner — Cynthia Underwood

(21) Appl. No.: **29/488,169**

(74) *Attorney, Agent, or Firm* — RatnerPrestia

(22) Filed: **Apr. 16, 2014**

(51) **LOC (10) Cl.** **08-06**

(52) **U.S. Cl.**
USPC **D8/323**

(58) **Field of Classification Search**
USPC D8/323, 328; 16/250, 338, 227
CPC E05D 5/12; E05D 11/082; E05D 1/02;
B64G 1/222
See application file for complete search history.

(57) **CLAIM**

The ornamental design for a hinge assembly, as shown and described.

DESCRIPTION

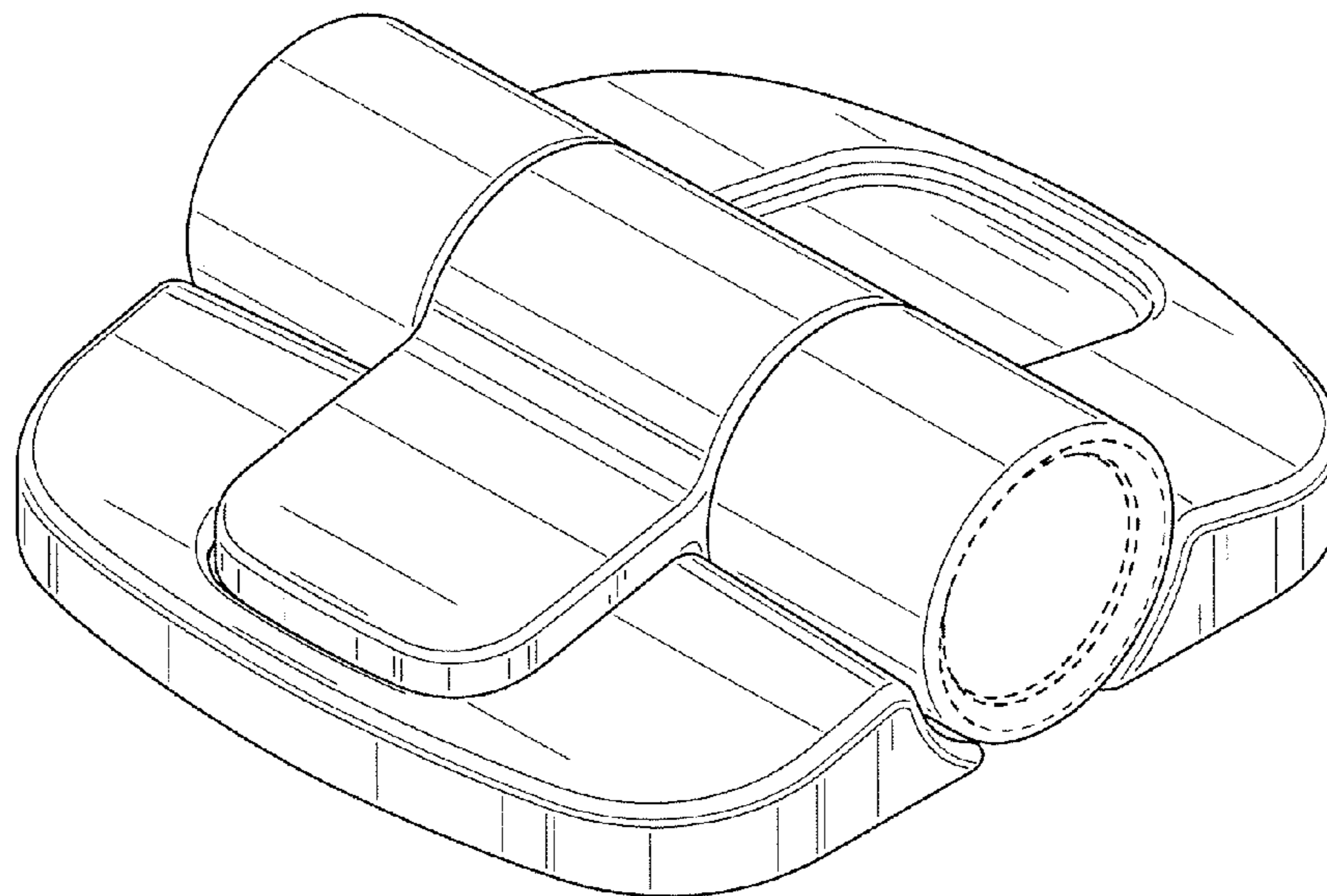
FIG. 1 is a perspective view from the top, right and front corner of a hinge assembly;
FIG. 2 is a perspective view from the top, left and rear corner of the hinge assembly;
FIG. 3 is a front elevation view thereof;
FIG. 4 is a rear elevation view thereof;
FIG. 5 is a left elevation view thereof;
FIG. 6 is a right elevation view thereof;
FIG. 7 is a top plan view thereof; and,
FIG. 8 is a bottom plan view thereof.
The broken lines depict environmental subject matter and form no part of the claim.

(56) **References Cited**

U.S. PATENT DOCUMENTS

4,163,303 A * 8/1979 Hanna E05D 1/02
16/227
4,630,333 A * 12/1986 Vickers E05D 11/082
16/338

1 Claim, 6 Drawing Sheets



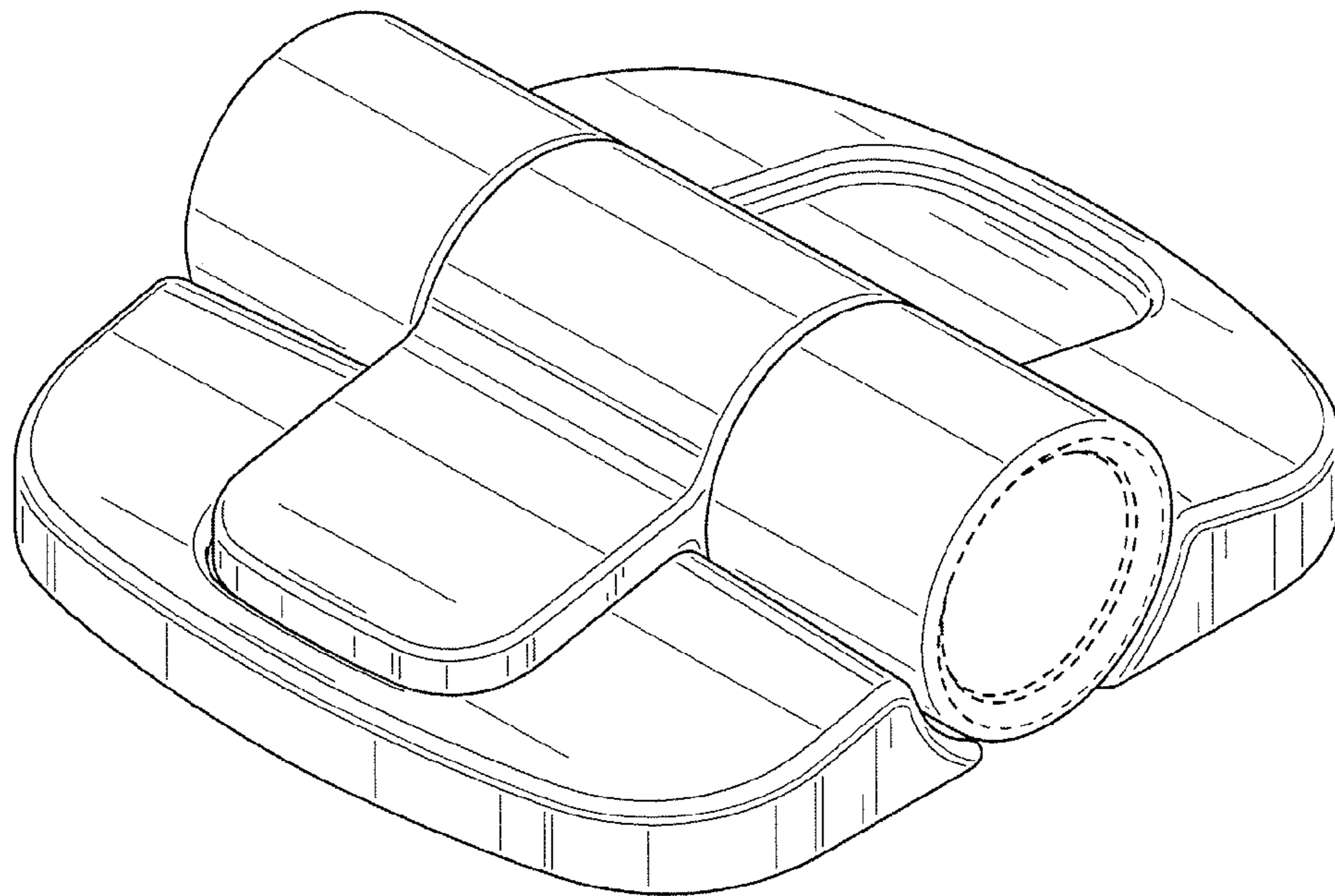


FIG. 1

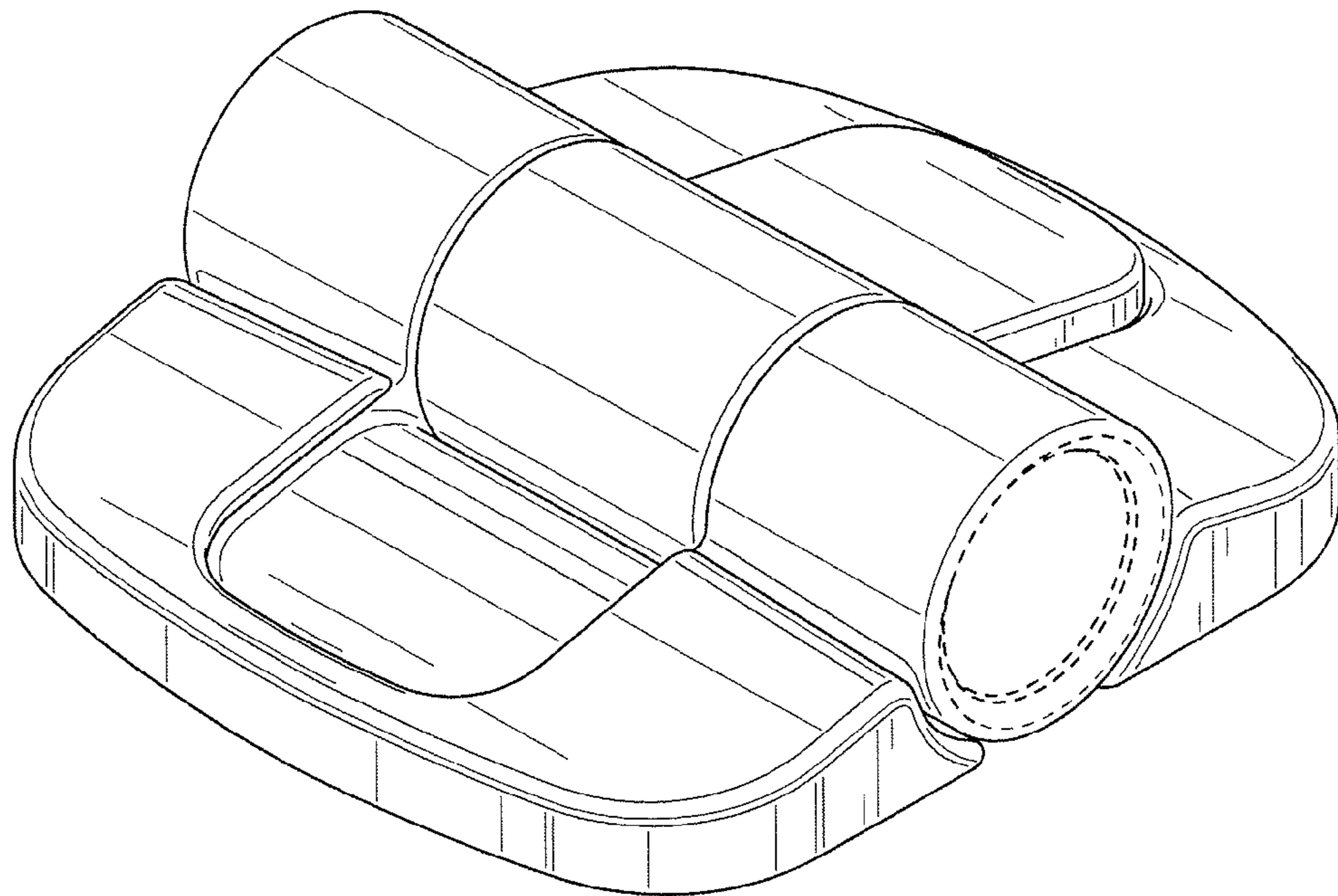


FIG. 2

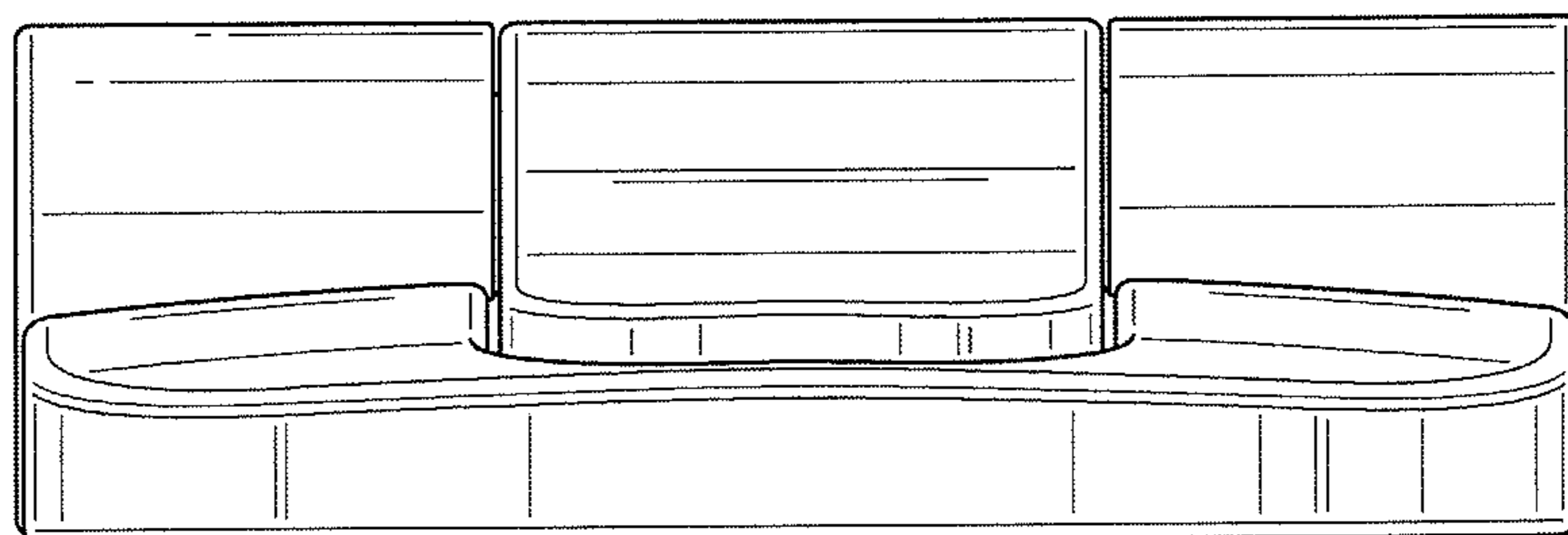


FIG. 3

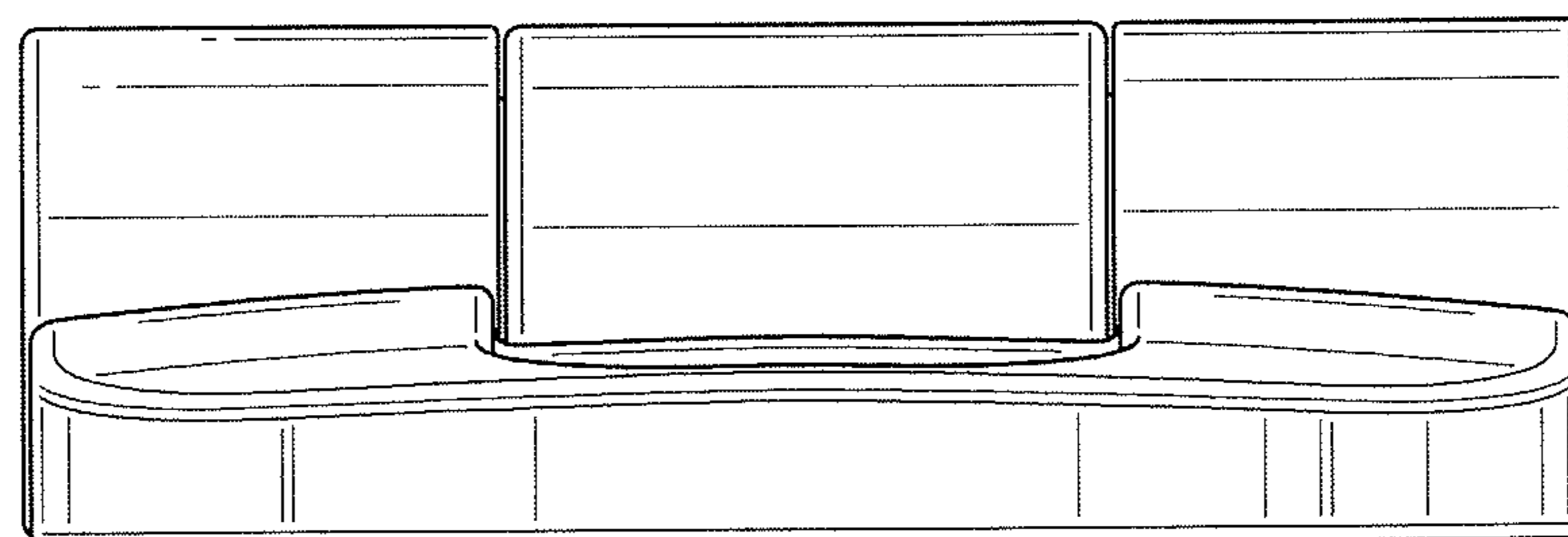


FIG. 4

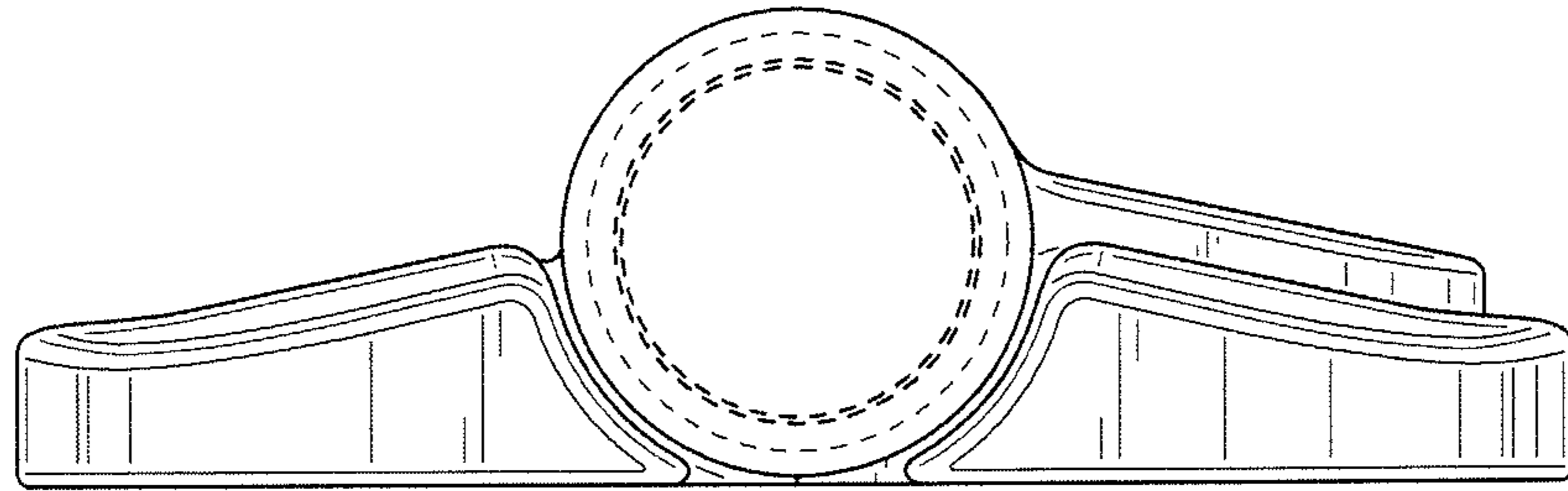


FIG. 5

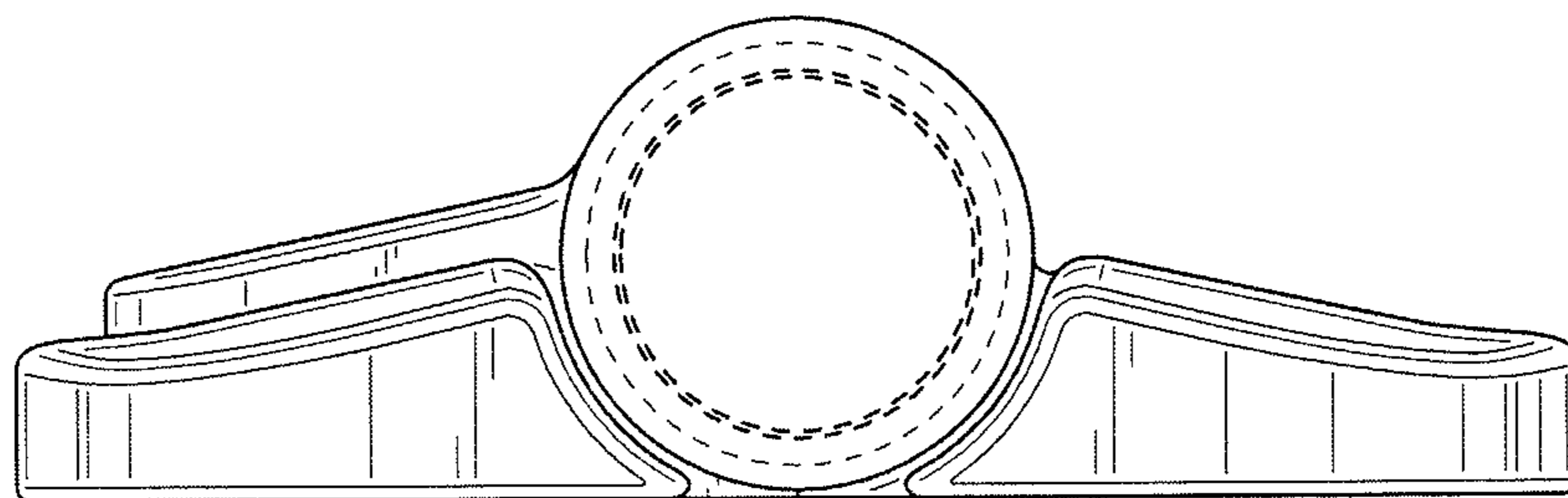


FIG. 6

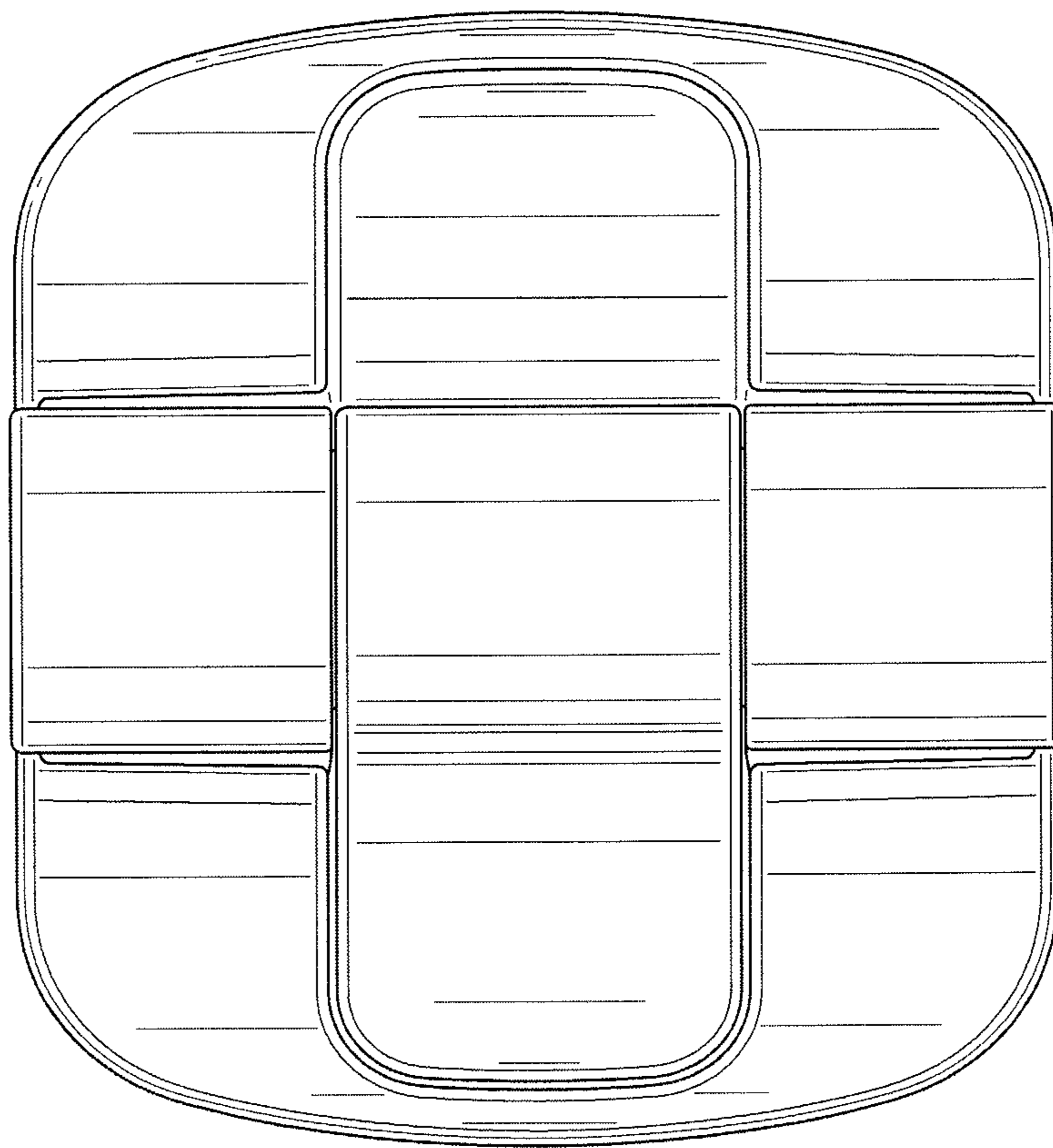


FIG. 7

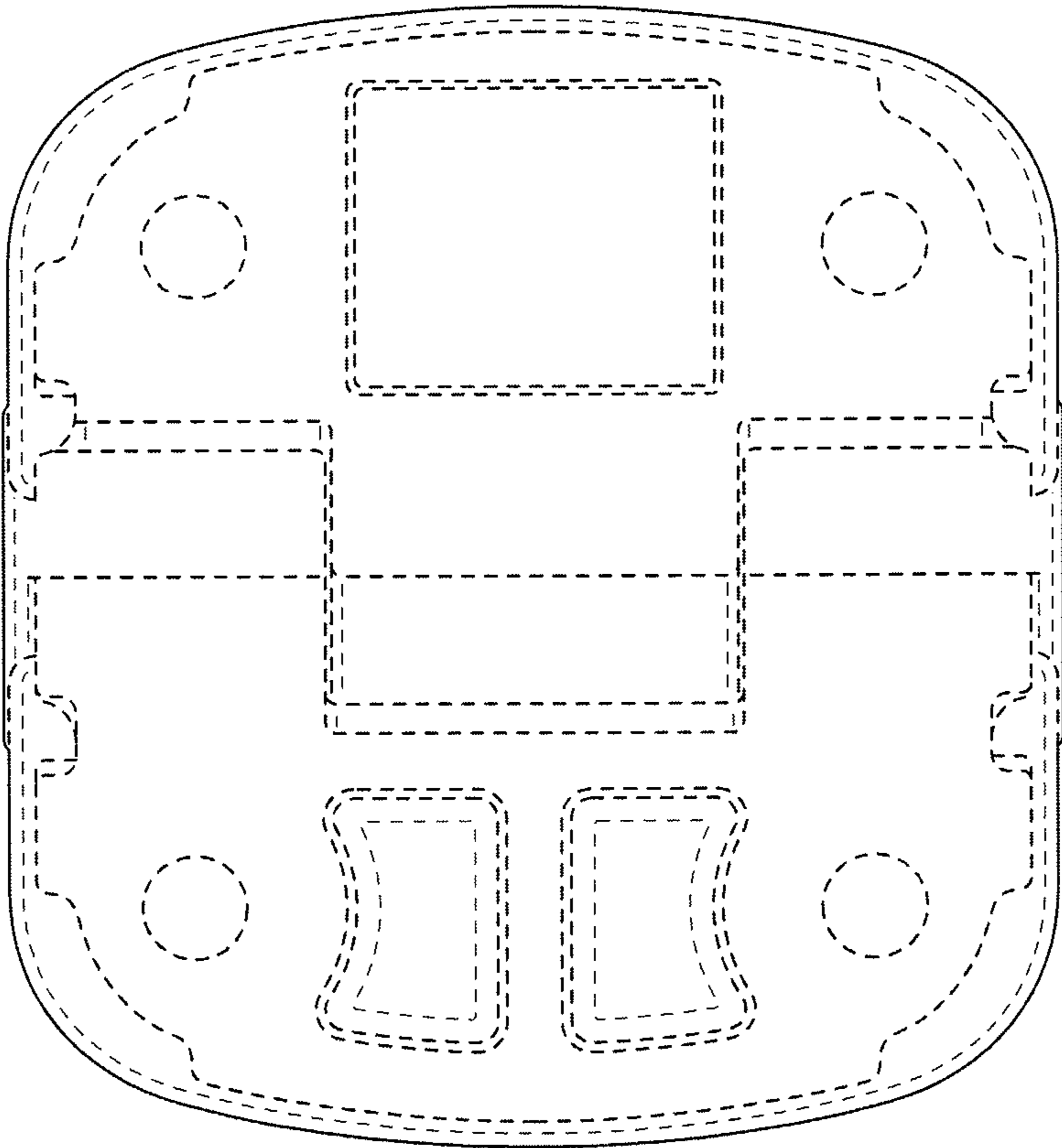


FIG. 8