



US00D747944S

(12) **United States Design Patent**
Stamm et al.

(10) **Patent No.:** **US D747,944 S**
(45) **Date of Patent:** **** Jan. 26, 2016**

- (54) **T-HANDLE HAMMER**
- (71) Applicant: **FixT Products, LLC**, Broomfield, CO (US)
- (72) Inventors: **Shane Stamm**, Boulder, CO (US);
Michael Roswell, Lafayette, CO (US);
Dominic Lovely, Denver, CO (US)
- (73) Assignee: **FixT Products, LLC**, Broomfield, CO (US)
- (**) Term: **14 Years**
- (21) Appl. No.: **29/499,320**
- (22) Filed: **Aug. 13, 2014**
- (51) **LOC (10) Cl.** **08-02**
- (52) **U.S. Cl.**
USPC **D8/81; D8/26**
- (58) **Field of Classification Search**
USPC D8/14, 21, 24, 26-27, 29, 31, 75-85,
D8/107; 29/278; 81/19-24, 57.29, 63.1,
81/439, 463
CPC .. B25B 13/461; B25B 13/481; B25B 15/008;
B25B 17/00; B25B 31/00; B25D 1/04; B25F
1/02; B25G 1/005; B25G 1/085; B29D 30/66;
F16D 65/0043
See application file for complete search history.

4,926,721	A *	5/1990	Hsiao	B25G 1/085
					81/124.4
D311,311	S *	10/1990	Metzger	D8/107
D314,500	S *	2/1991	Germain	D8/107
D329,969	S *	10/1992	Kemp	D8/14
D335,616	S *	5/1993	Schafer	D8/107
D349,024	S *	7/1994	Doffee	D8/14
D364,542	S *	11/1995	Pollard	D8/14
D398,821	S *	9/1998	Jones	D8/14
D417,383	S *	12/1999	Gutierrez	D8/107
D528,883	S *	9/2006	Hu	D8/25

(Continued)

OTHER PUBLICATIONS

FIXT Drive Hammer T. Downloaded from <http://www.fixtproducts.com/product/38-drive-fixt-hammer-t/> on Aug. 30, 2015.*

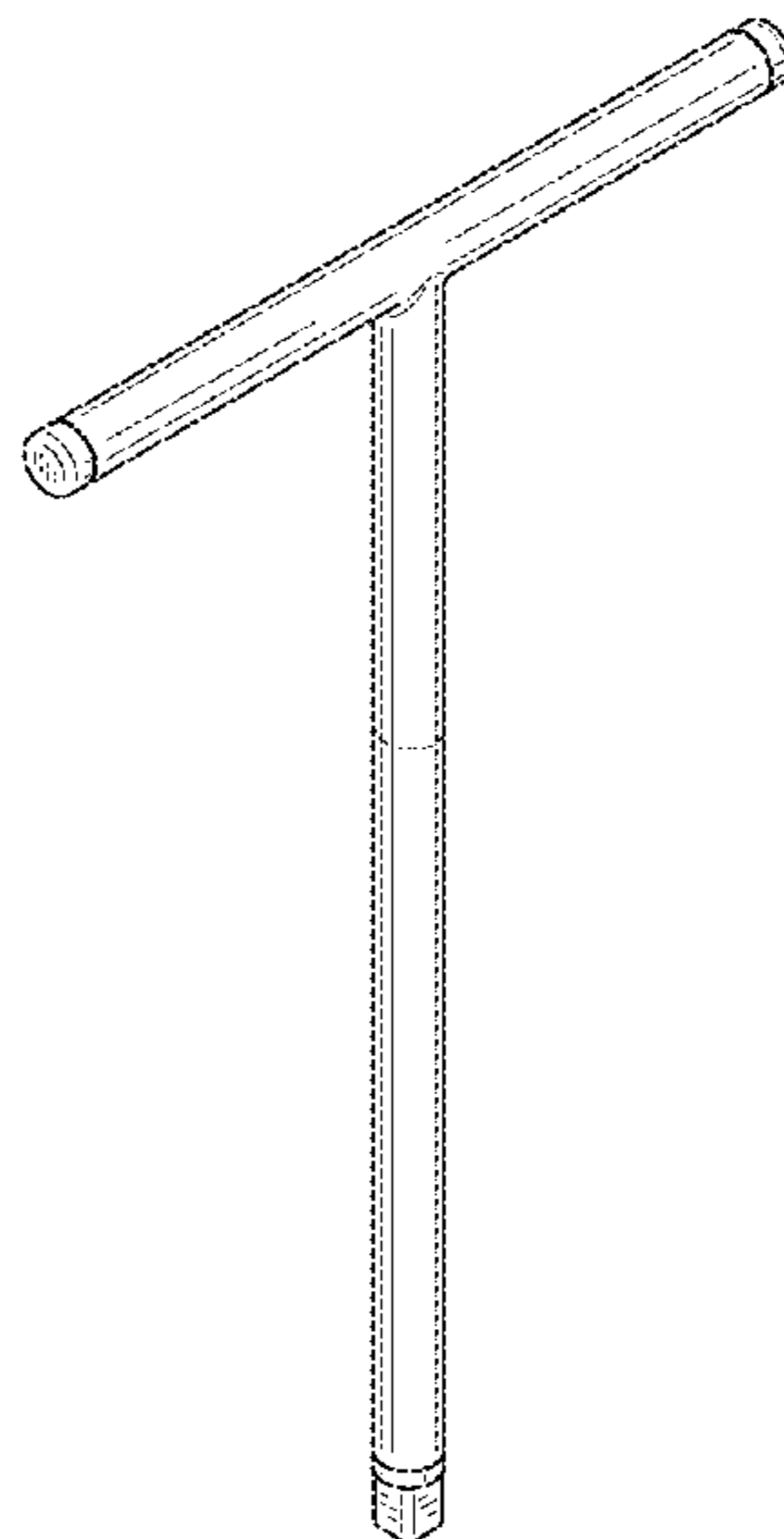
Primary Examiner — Philip S Hyder
Assistant Examiner — Roselynn Cody
(74) *Attorney, Agent, or Firm* — Marsh Fischmann & Breyfogle LLP

(57) **CLAIM**
The ornamental design for a T-handle hammer, as shown and described.

DESCRIPTION

FIG. 1 is a perspective view of a T-handle hammer; FIG. 2 is a top view of the T-handle hammer of FIG. 1; FIG. 3 is a front view of the T-handle hammer of FIG. 1; FIG. 4 is a right side view of the T-handle hammer of FIG. 1; FIG. 5 is a left side view of the T-handle hammer of FIG. 1; FIG. 6 is a back view of the T-handle hammer of FIG. 1; FIG. 7 is a bottom view of the T-handle hammer of FIG. 1; and, FIG. 8 is an exploded view of the T-handle hammer of FIG. 1. The broken lines in the drawings indicate environmental structure and form no part of the claim.

1 Claim, 4 Drawing Sheets



US D747,944 S

Page 2

(56)

References Cited

U.S. PATENT DOCUMENTS

D530,577 S *	10/2006	Hu	D8/25	D715,611 S *	10/2014	Stamm	D8/24
D547,625 S *	7/2007	Decuir	D8/27	D721,932 S *	2/2015	Azevedo	D8/14
7,603,931 B1 *	10/2009	Powell	B25B 15/008 81/177.2	D721,933 S *	2/2015	Azevedo	D8/14
					2003/0000350 A1 *	1/2003	Zhao	A61B 17/8685 81/439
					2004/0103763 A1 *	6/2004	Shyu	B25G 1/005 81/63.1

* cited by examiner

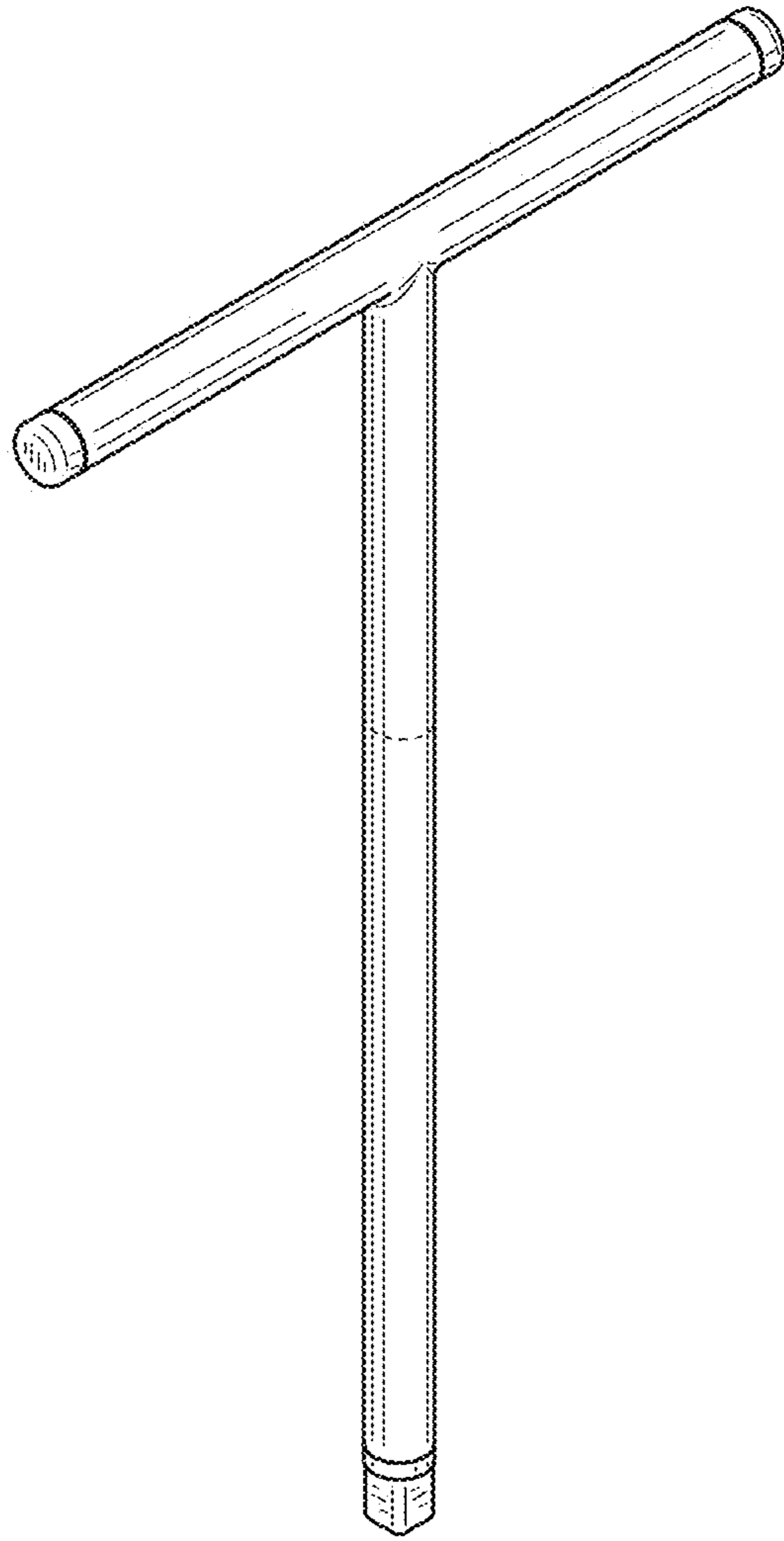


FIG. 1

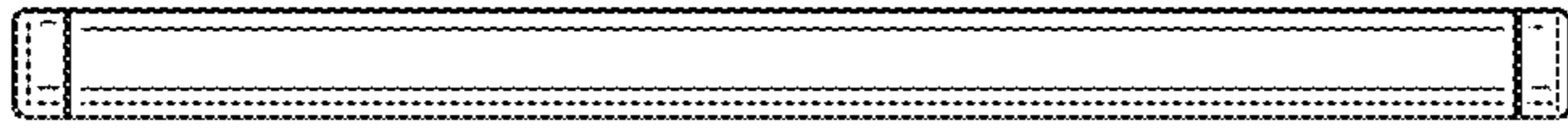


FIG. 2

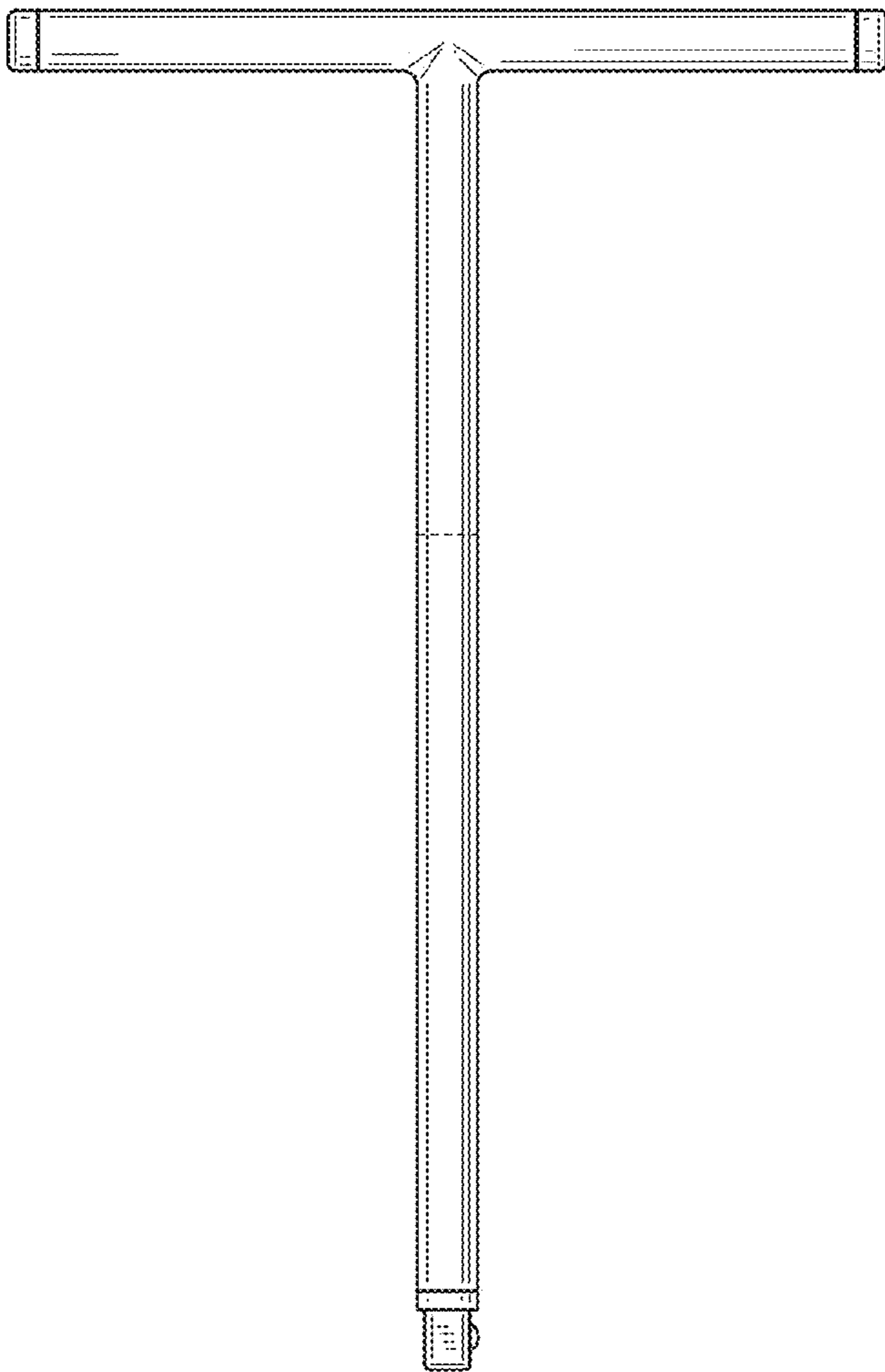


FIG. 3

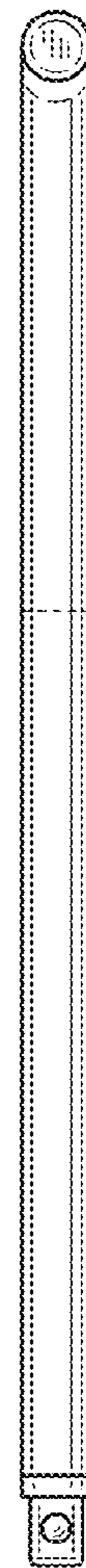


FIG. 4



FIG. 5

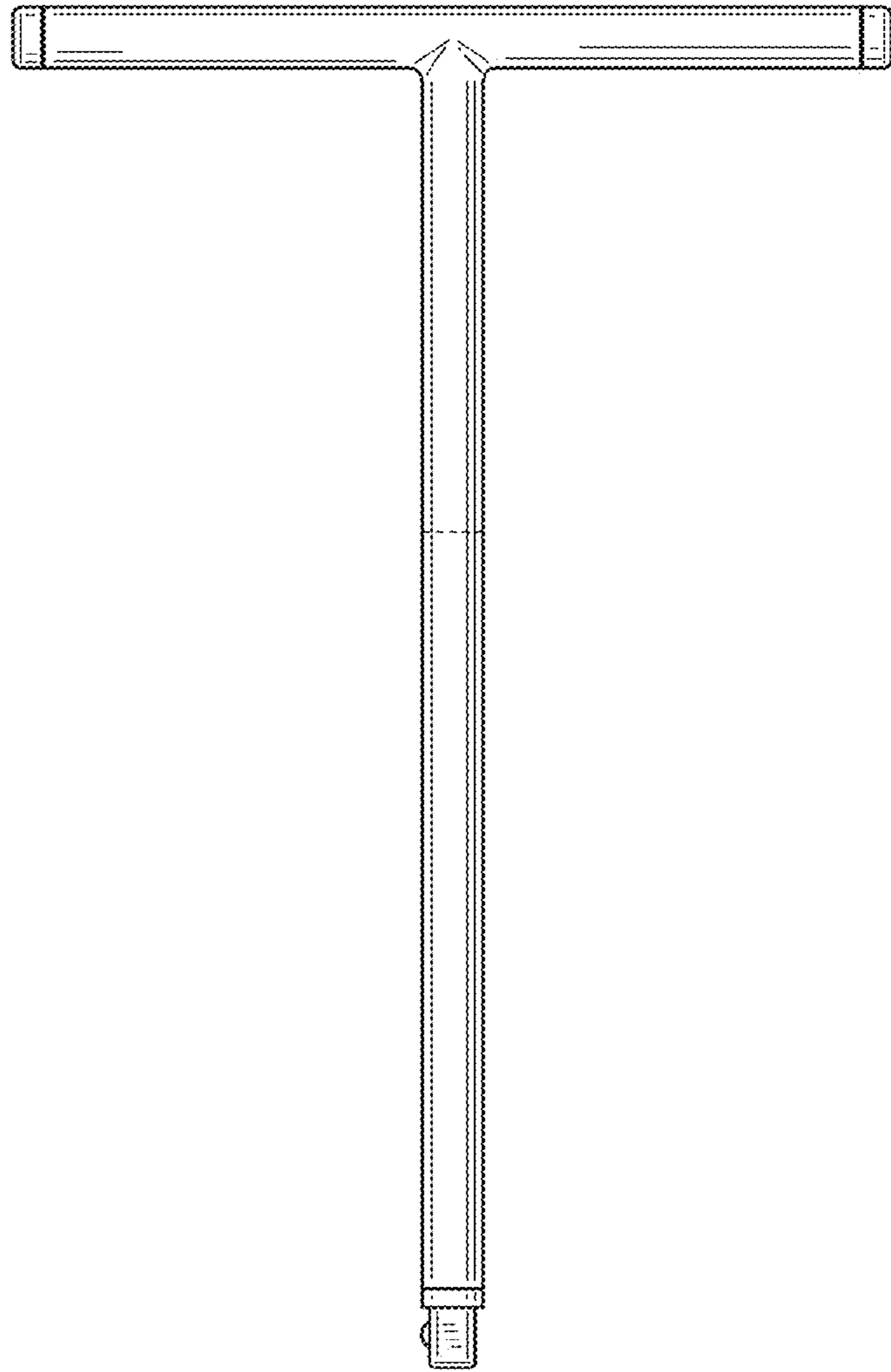


FIG. 6



FIG. 7

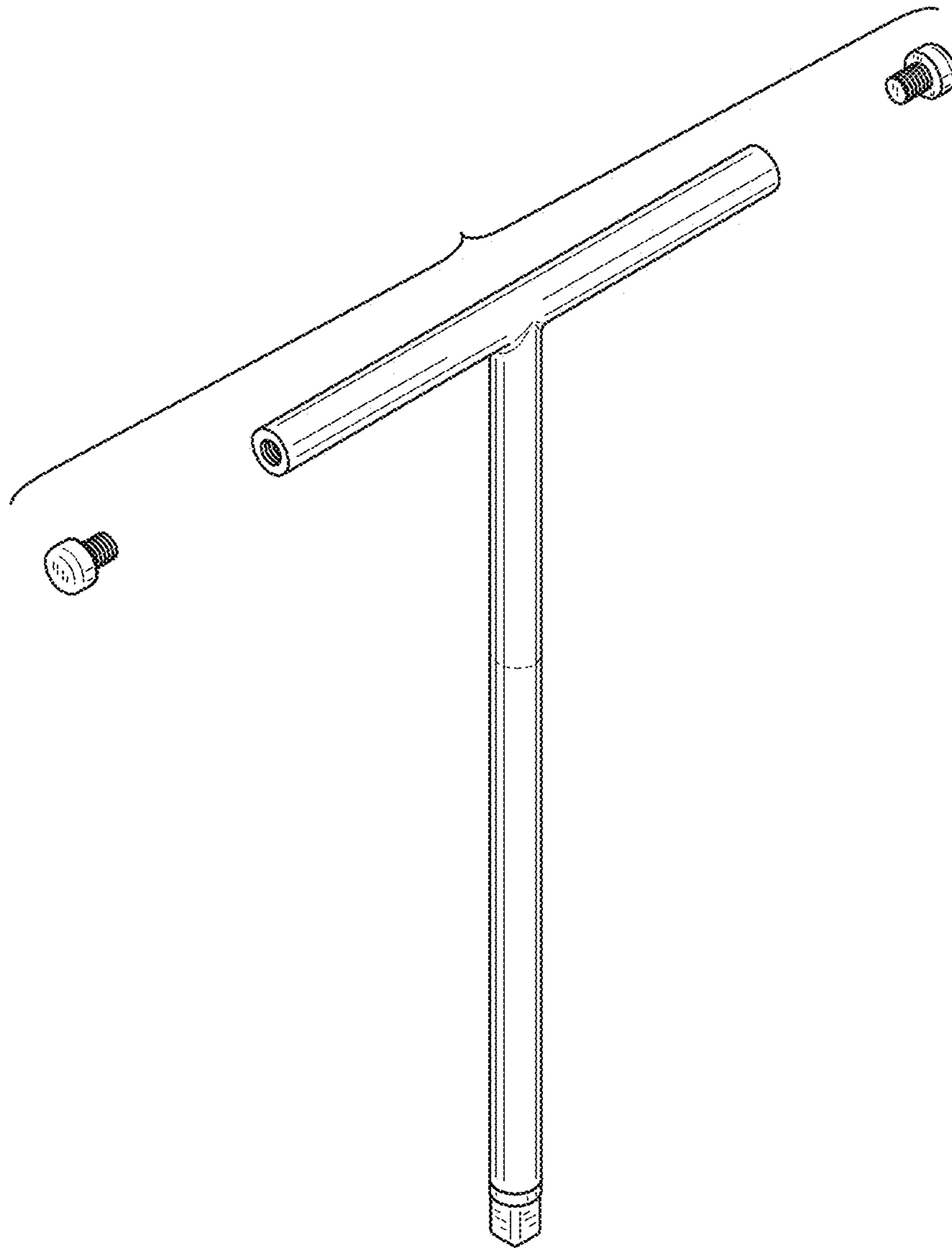


FIG.8