



US00D747943S

(12) **United States Design Patent**
Hung

(10) **Patent No.:** **US D747,943 S**
(45) **Date of Patent:** **** Jan. 26, 2016**

(54) **HAMMER**

(71) Applicant: **Lu Kang Hand Tools Industrial Co., Ltd.**, Chunghwa (TW)
(72) Inventor: **Yi-Kung Hung**, Chunghwa Hsien (TW)
(73) Assignee: **Lu Kang Hand Tools Industrial Co., Ltd.**, Chunghwa, Hsien (TW)
(**) Term: **14 Years**

(21) Appl. No.: **29/509,720**

(22) Filed: **Nov. 20, 2014**

(51) **LOC (10) Cl.** **08-02**

(52) **U.S. Cl.**
USPC **D8/75**

(58) **Field of Classification Search**
USPC D8/14, 75-81; D22/117; 81/19-24;
254/26 R, 26 E
CPC B25D 1/00; B25D 1/02; B25D 1/04;
B25D 1/045; B25D 1/06; B25D 1/10; B25D
1/12; B25G 1/102

See application file for complete search history.

(56) **References Cited**

U.S. PATENT DOCUMENTS

D600,523 S * 9/2009 Adams D8/75
D653,925 S * 2/2012 Hung D8/78
D676,302 S * 2/2013 Vanderbeek D8/75

* cited by examiner

Primary Examiner — Philip S Hyder
Assistant Examiner — Roselynn Cody
(74) *Attorney, Agent, or Firm* — The Weintraub Group, P.L.C.

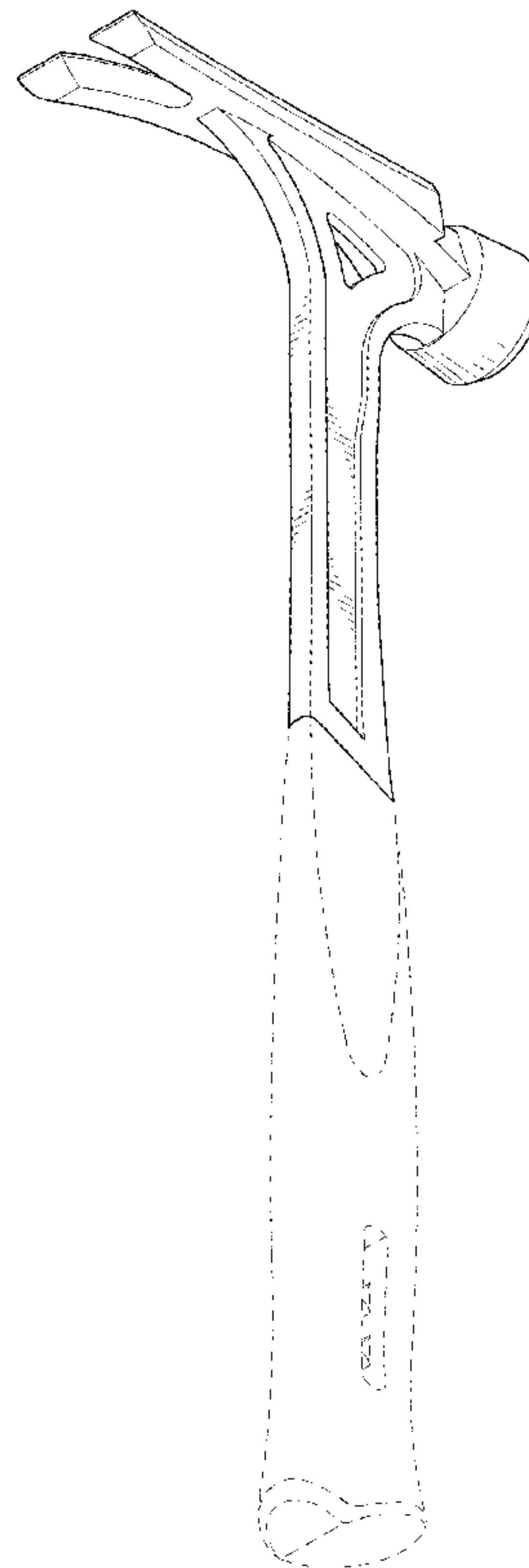
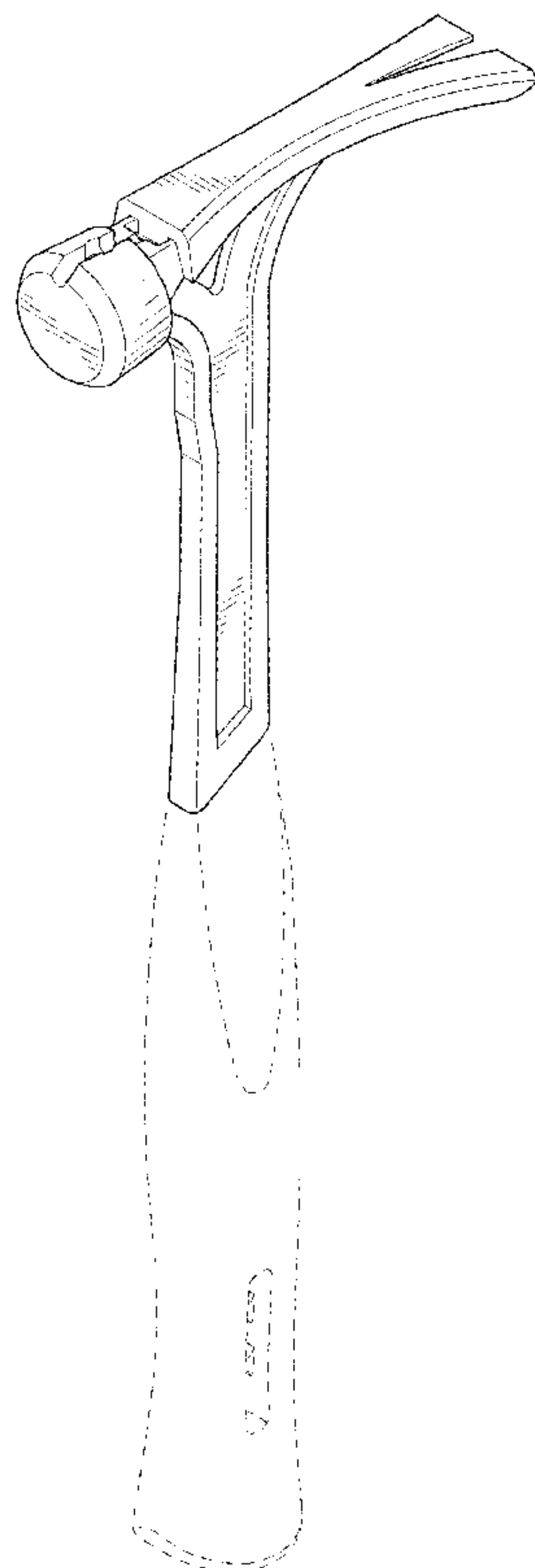
(57) **CLAIM**

The ornamental design for a hammer, as shown and described.

DESCRIPTION

FIG. 1 is a perspective view of a hammer showing my new design;
FIG. 2 is a front view thereof;
FIG. 3 is a rear view thereof;
FIG. 4 is a left view thereof;
FIG. 5 is a right view thereof;
FIG. 6 is a top view thereof;
FIG. 7 is a bottom view thereof; and,
FIG. 8 is another perspective view thereof.
The portions of the figures shown in broken lines are shown for illustrative purposes only and form no part of the claimed design.

1 Claim, 6 Drawing Sheets



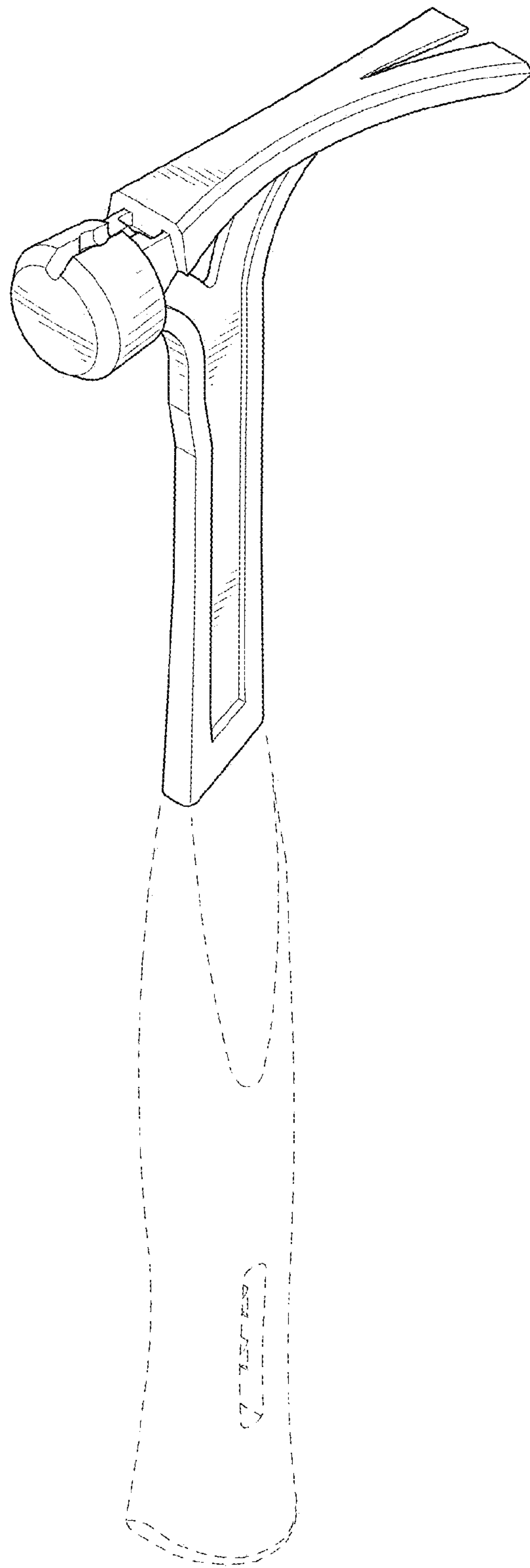


FIG. 1

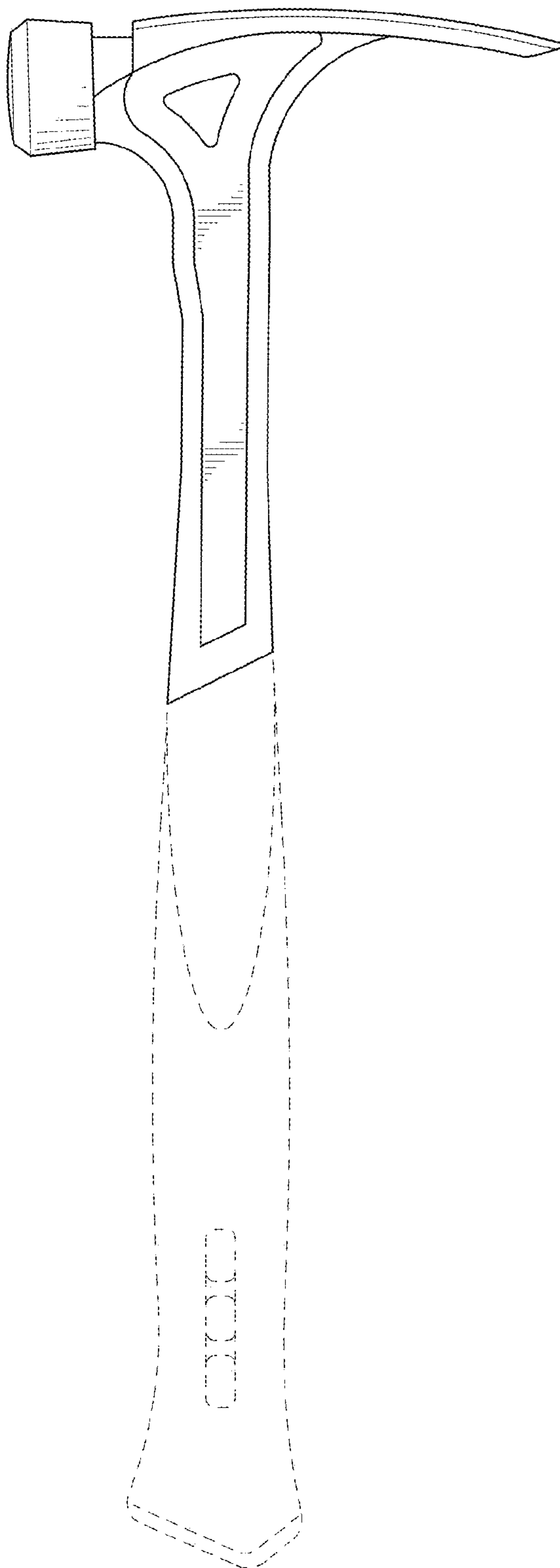


FIG.2

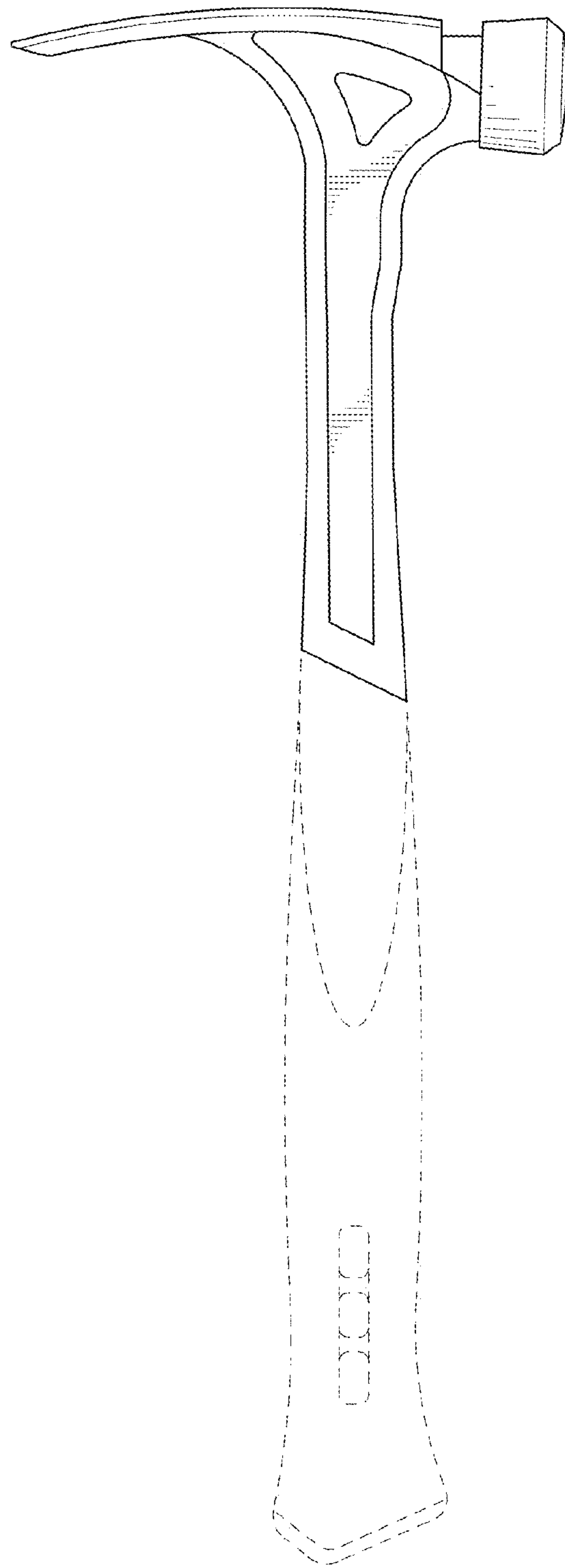


FIG.3

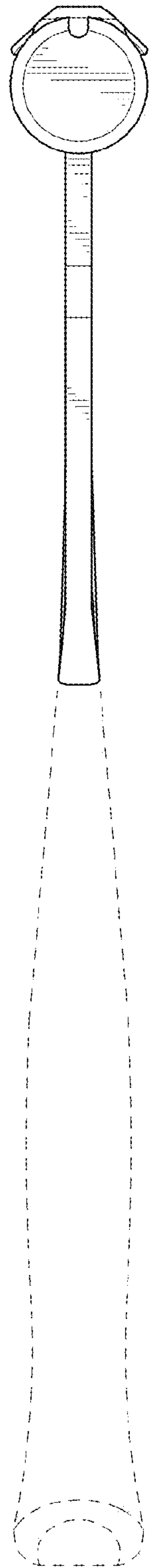


FIG. 4

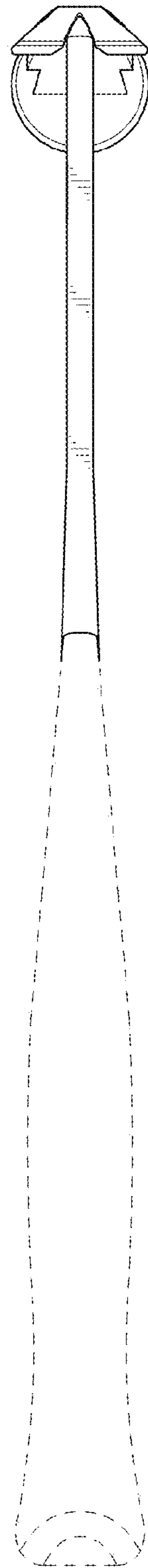


FIG. 5

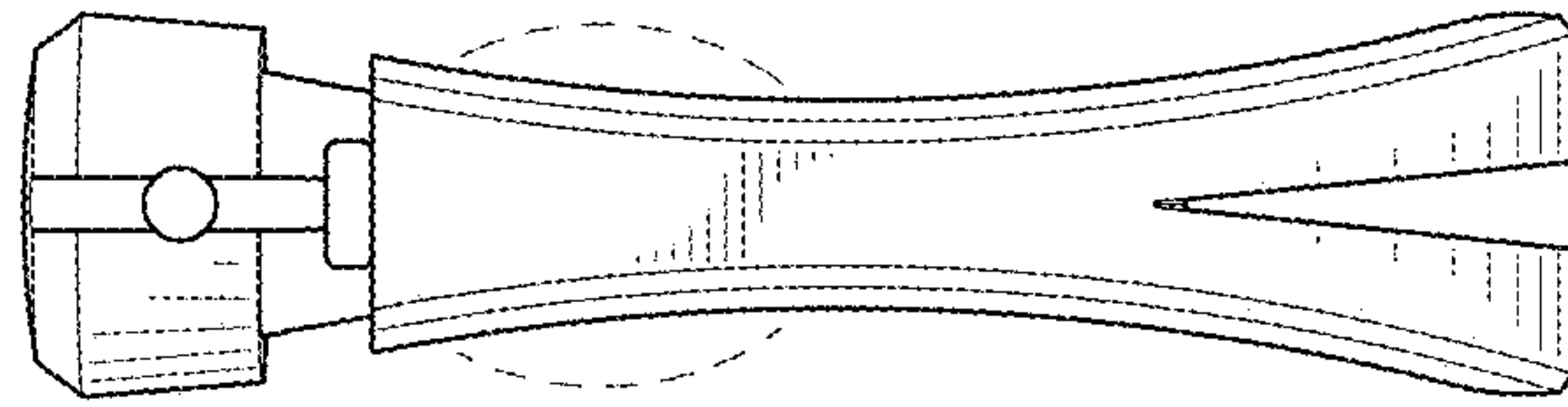


FIG. 6

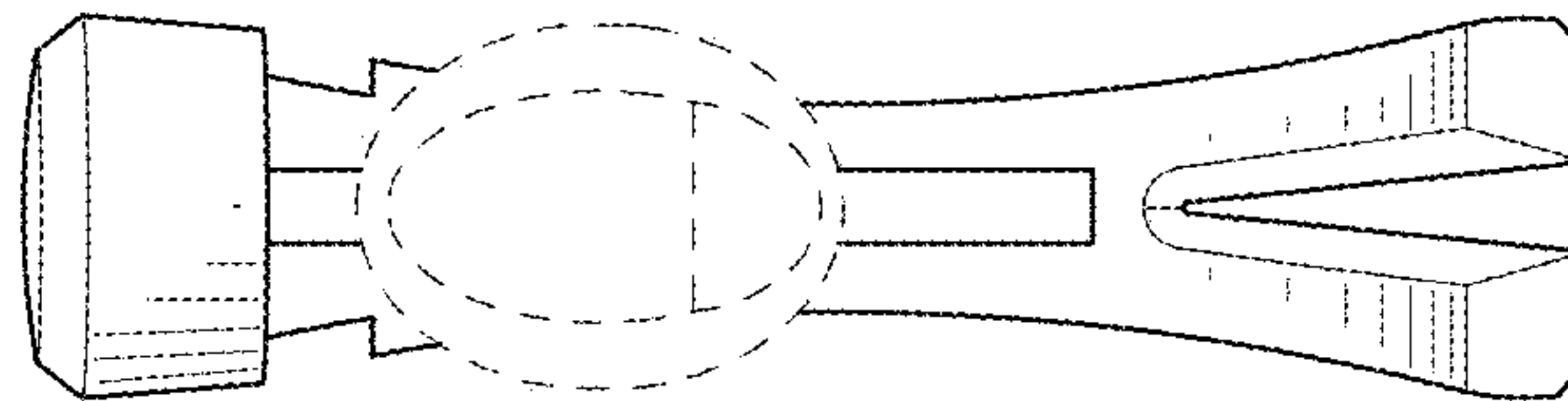


FIG. 7

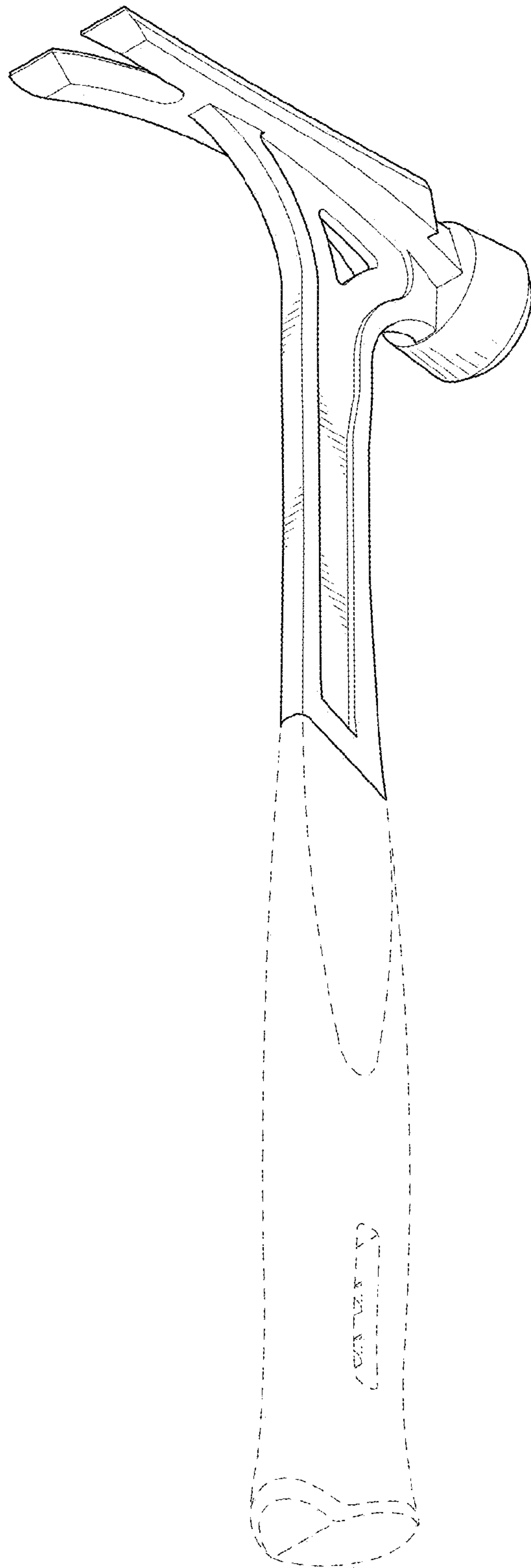


FIG. 8