



US00D747940S

(12) **United States Design Patent**
Wang et al.

(10) **Patent No.:** **US D747,940 S**
(45) **Date of Patent:** **** Jan. 26, 2016**

- (54) **POLINATING TOOL**
- (71) Applicants: **Roger H. Wang**, Orange, CA (US); **Eric I. Wang**, Orange, CA (US); **Victor S. Wang**, Orange, CA (US)
- (72) Inventors: **Roger H. Wang**, Orange, CA (US); **Eric I. Wang**, Orange, CA (US); **Victor S. Wang**, Orange, CA (US)
- (**) Term: **14 Years**
- (21) Appl. No.: **29/503,683**
- (22) Filed: **Sep. 29, 2014**
- (51) **LOC (10) Cl.** **08-01**
- (52) **U.S. Cl.**
USPC **D8/1; D8/14**
- (58) **Field of Classification Search**
USPC **D8/1, 14; D4/135; D28/7**
CPC **A01H 1/025; A46B 7/04**
See application file for complete search history.

- (56) **References Cited**
U.S. PATENT DOCUMENTS
2,802,302 A * 8/1957 Yost A01H 1/025
239/652
3,962,821 A * 6/1976 Sharp A01H 1/025
222/161

- 4,751,791 A * 6/1988 Al-Rawi A01H 1/025
47/1.41
- 7,287,295 B2 * 10/2007 Treacy A46B 7/04
15/209.1
- 8,230,543 B2 * 7/2012 Shrier A46B 7/04
15/145
- 2012/0260931 A1 * 10/2012 Martin A46B 13/02
132/200

* cited by examiner

Primary Examiner — Phillip S Hyder

(74) *Attorney, Agent, or Firm* — QuickPatents; Kevin Prince

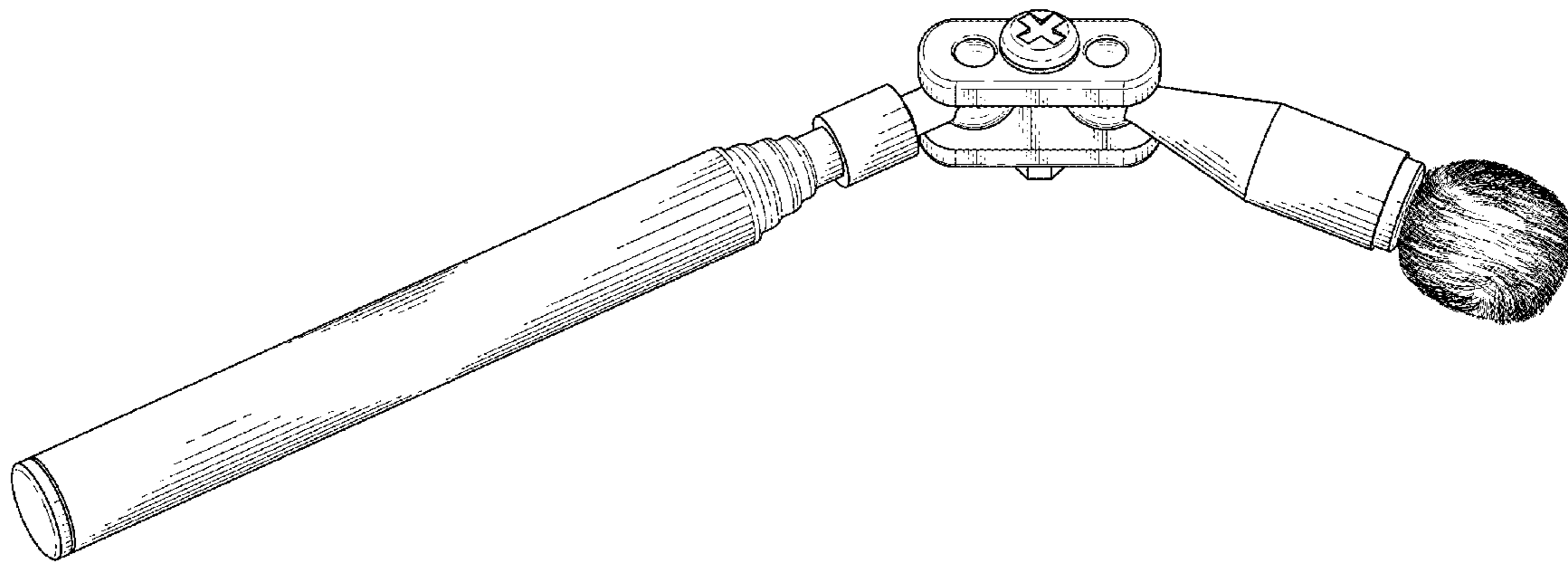
(57) **CLAIM**

We claim the ornamental design for a polinating tool, as shown and described.

DESCRIPTION

FIG. 1 is an elevational view showing the pollinating tool at a 45 degree angle between the top and right side; FIG. 2 is a left-side elevational view of FIG. 1; FIG. 3 is a right-side elevational view of FIG. 1; FIG. 4 is a rear elevational view of FIG. 1; FIG. 5 is a front elevational view of FIG. 1; FIG. 6 is an exploded top plan view of FIG. 1; FIG. 7 is a bottom plan view of FIG. 1; and, FIG. 8 is a perspective view thereof, illustrating the tool in a bent configuration.

1 Claim, 4 Drawing Sheets



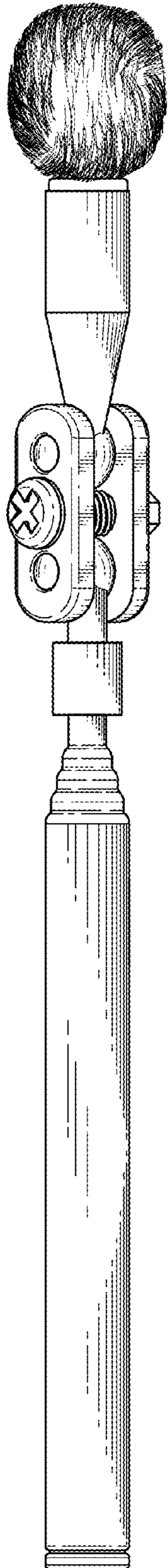


FIG. 1

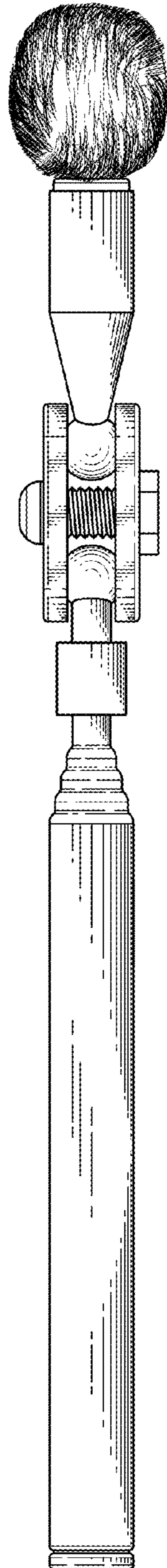


FIG. 2

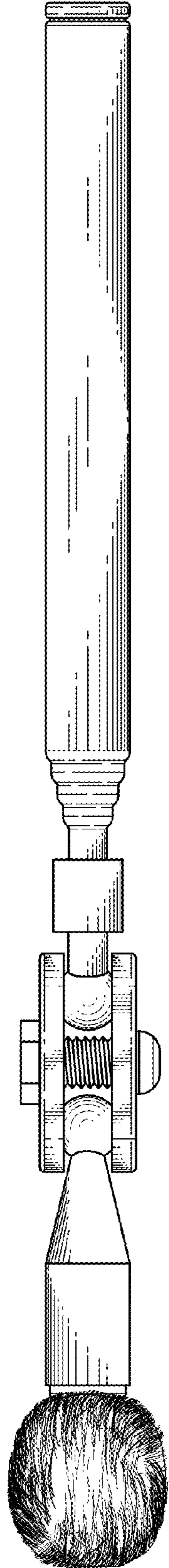


FIG. 3

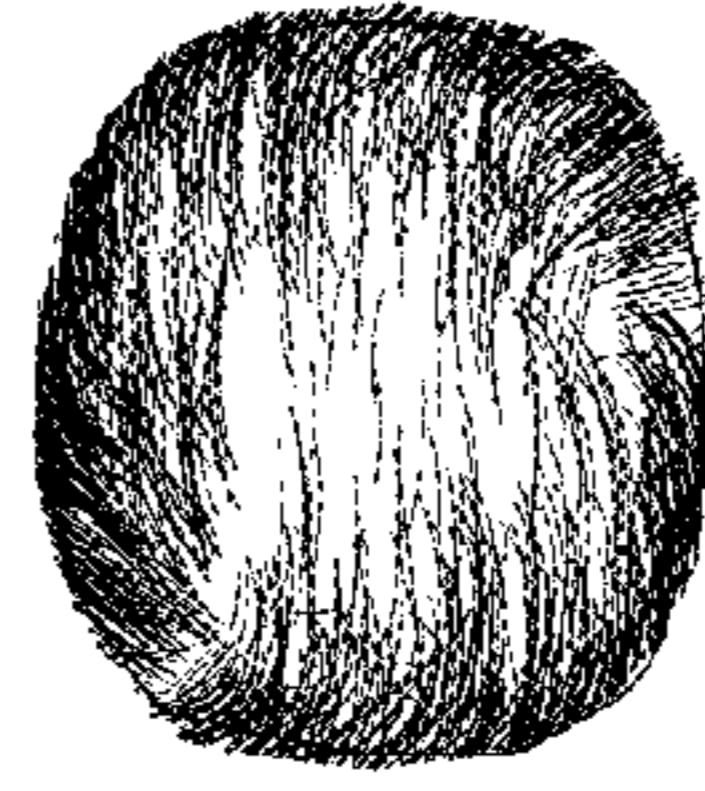


FIG. 5

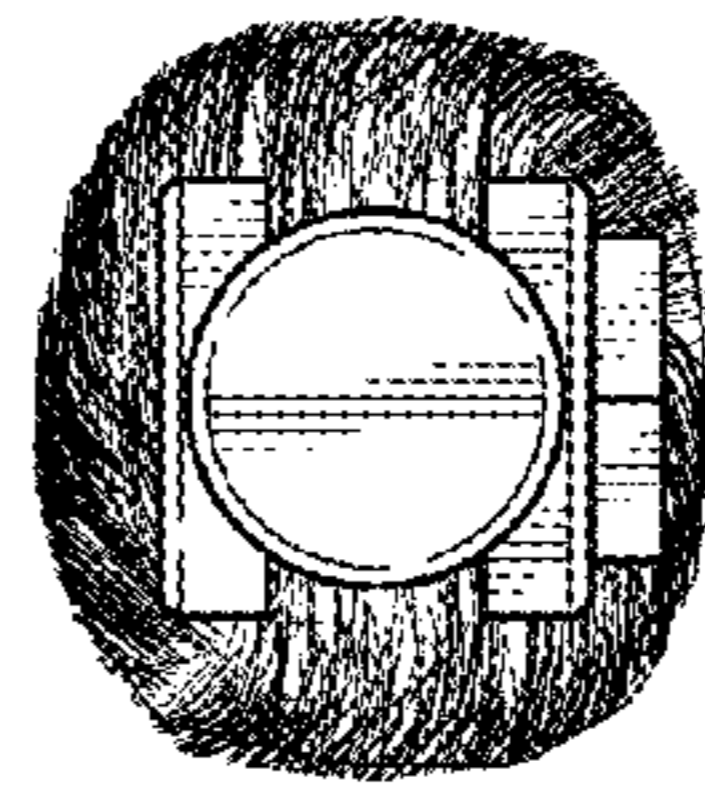
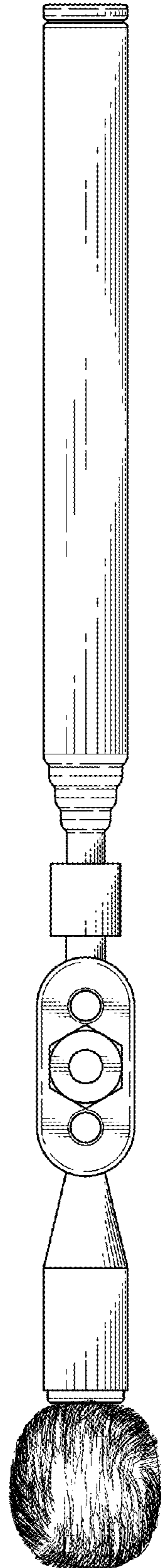
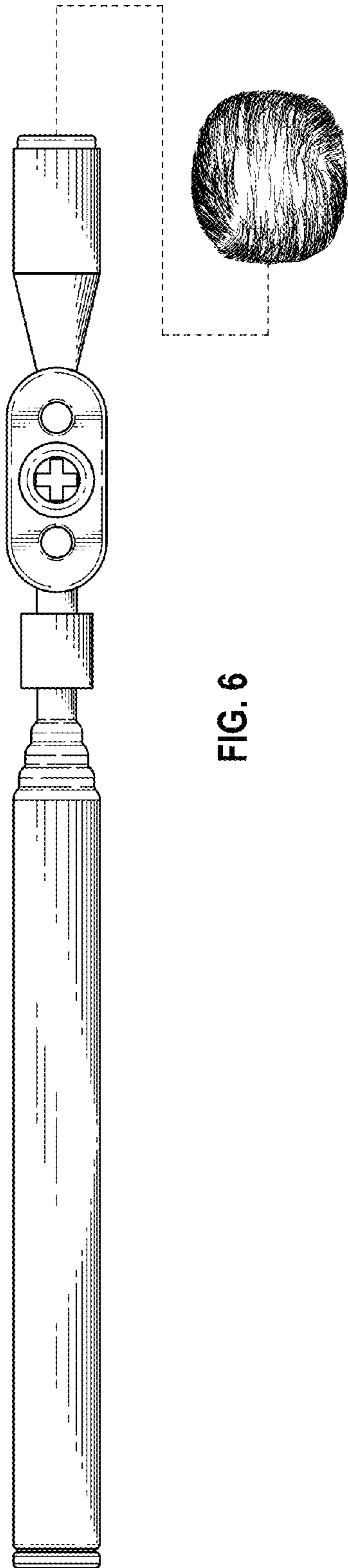


FIG. 4



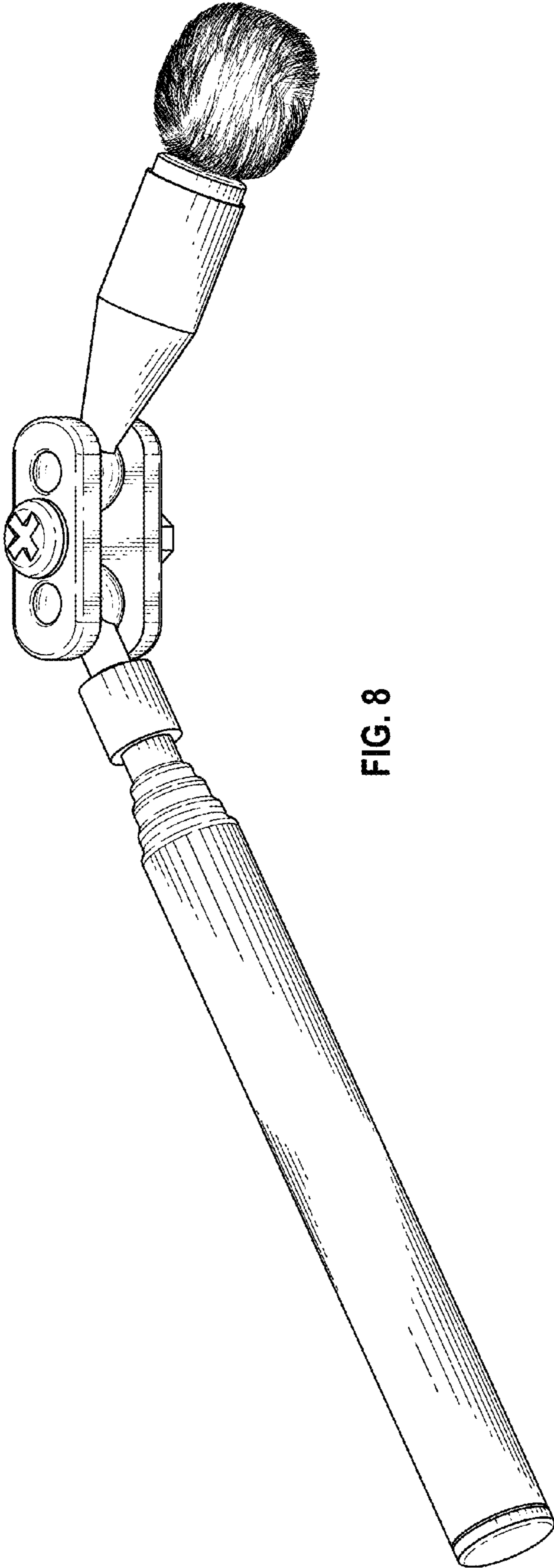


FIG. 8