



US00D747939S

(12) **United States Design Patent**  
**Behar et al.**

(10) **Patent No.:** **US D747,939 S**  
(45) **Date of Patent:** **\*\* Jan. 26, 2016**

(54) **SOIL PROBE**

(71) Applicant: **Soil IQ, Inc.**, San Francisco, CA (US)

(72) Inventors: **Yves Behar**, San Francisco, CA (US);  
**Liam Adelman**, San Francisco, CA (US);  
**Jason Lee Aramburu**, San Francisco, CA (US)

(73) Assignee: **Soil IQ, Inc.**, San Francisco, CA (US)

(\*\*) Term: **14 Years**

(21) Appl. No.: **29/493,003**

(22) Filed: **Jun. 4, 2014**

(51) **LOC (10) Cl.** ..... **08-01**

(52) **U.S. Cl.**

USPC ..... **D8/1**

(58) **Field of Classification Search**

USPC ..... D8/1, 13, 71, 499  
CPC .. A01G 25/167; A01G 27/003; G01F 15/063;  
Y10T 137/189

See application file for complete search history.

(56) **References Cited**

**U.S. PATENT DOCUMENTS**

5,899,962	A *	5/1999	Louwagie et al.	702/138
D420,260	S *	2/2000	Tseng	D8/1
7,437,957	B2 *	10/2008	Jobin et al.	73/862.581
D659,491	S *	5/2012	Hausch	D8/1
D682,054	S *	5/2013	Gary et al.	D8/1
D713,221	S *	9/2014	Meyer et al.	D8/1
D719,798	S *	12/2014	Thompson et al.	D8/1
D731,867	S *	6/2015	Paternostro	D8/1
2002/0139868	A1 *	10/2002	Sesser et al.	239/457
2009/0065606	A1 *	3/2009	Lee et al.	239/67
2015/0070188	A1 *	3/2015	Aramburu	340/870.02
2015/0181817	A1 *	7/2015	Runge et al.	340/602

**OTHER PUBLICATIONS**

'Soil IQ' Knows Your Garden, Video post date Sep. 10, 2013, site visited on Aug. 3, 2015 (youtube), <[https://www.youtube.com/watch?v=K6evk\\_VbN4Q](https://www.youtube.com/watch?v=K6evk_VbN4Q)>.\*

\* cited by examiner

*Primary Examiner* — Sheryl Lane

*Assistant Examiner* — Ieisha Price

(74) *Attorney, Agent, or Firm* — Jeffrey Schox; Diana Lin

(57) **CLAIM**

The ornamental design for a soil probe, as shown and described.

**DESCRIPTION**

FIG. 1 is a left side elevation view of both the first and second embodiment of the soil probe;

FIG. 2 is a front elevation view of both the first and second embodiment of the soil probe;

FIG. 3 is a right side elevation view of both the first and second embodiment of the soil probe;

FIG. 4 is a back elevation view of both the first and second embodiment of the soil probe;

FIG. 5 is a top left isometric view of the first embodiment of the soil probe, including a solar panel;

FIG. 6 is a bottom right isometric view of both the first and second embodiment of the soil probe;

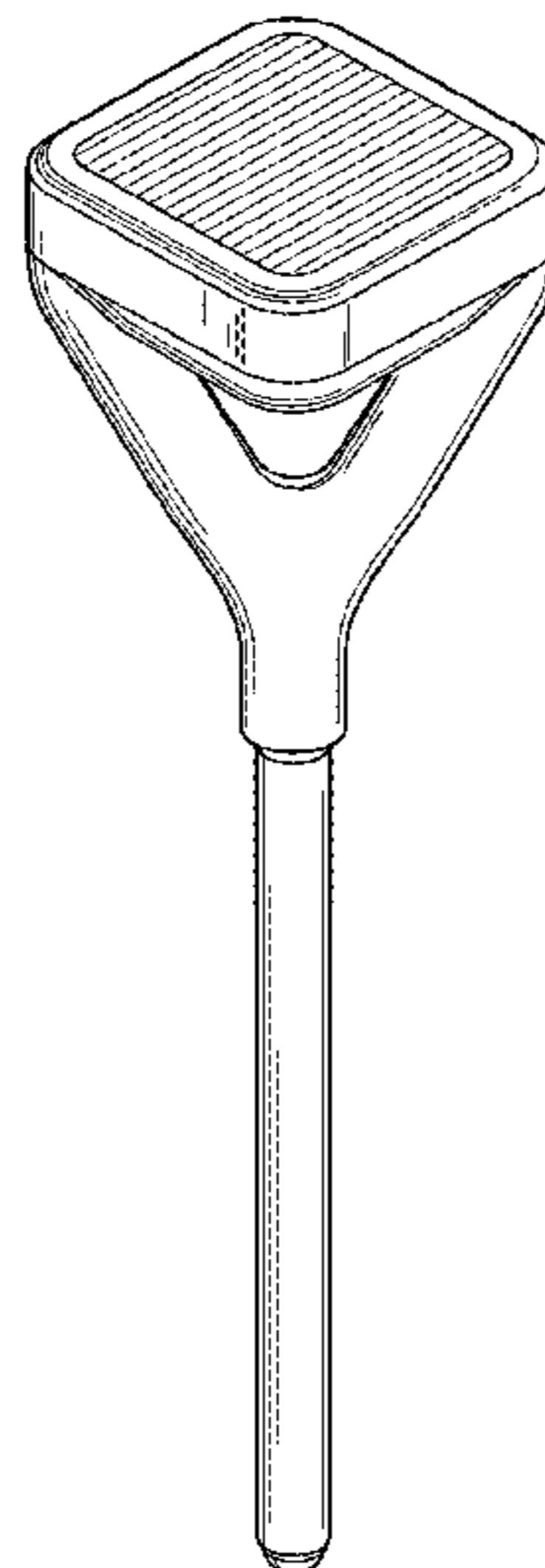
FIG. 7 is a top plan view of the first embodiment of the soil probe, including the solar panel;

FIG. 8 is a bottom plan view of both the first and second embodiment of the soil probe;

FIG. 9 is a top plan view of the second embodiment of the soil probe; and,

FIG. 10 is a top left isometric view of the second embodiment of the soil probe.

**1 Claim, 2 Drawing Sheets**



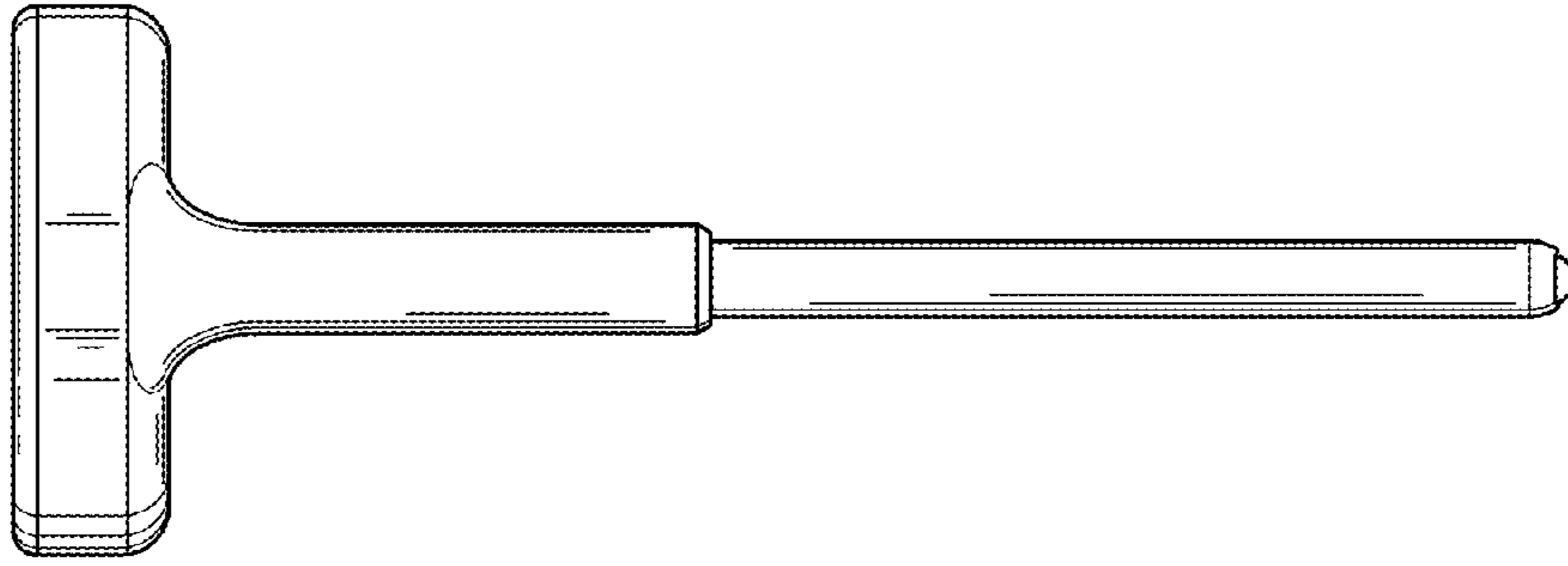


FIG. 4

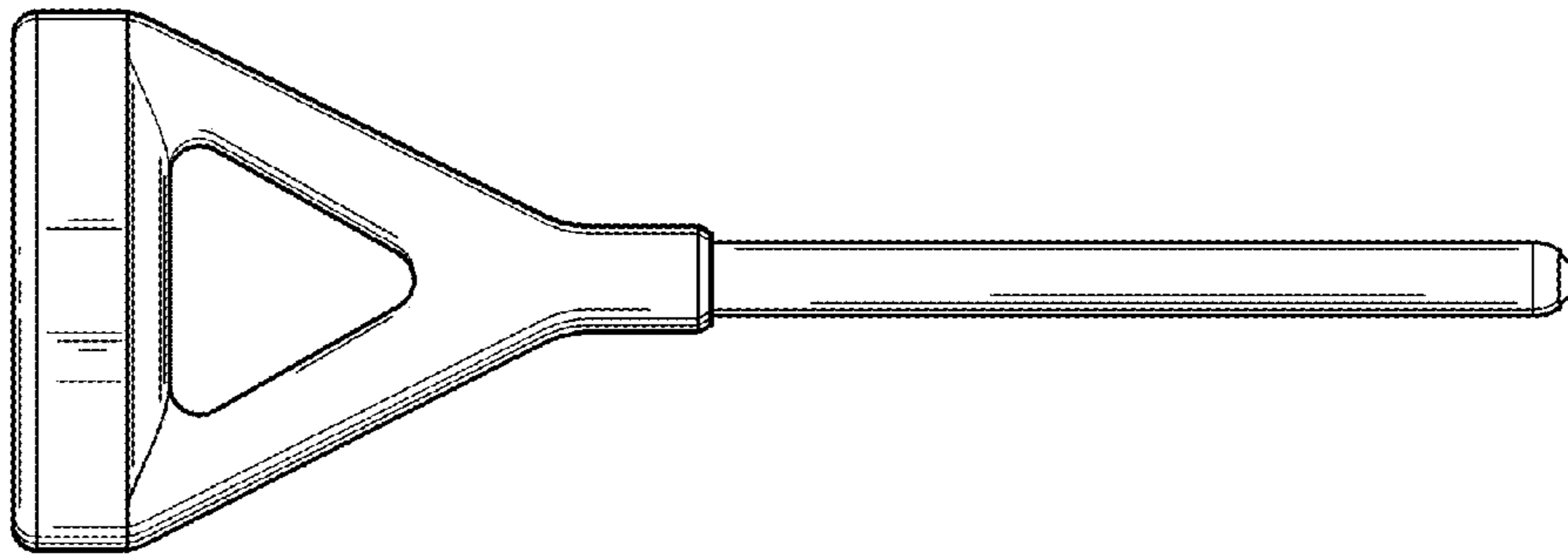


FIG. 3

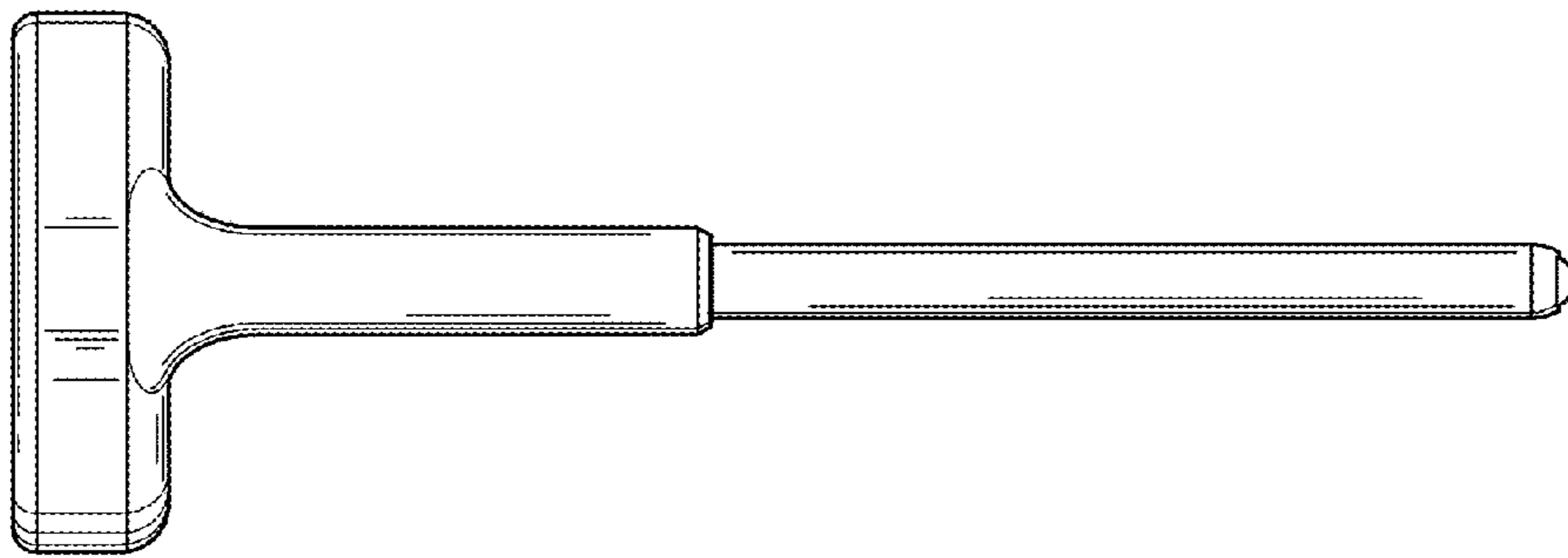


FIG. 2

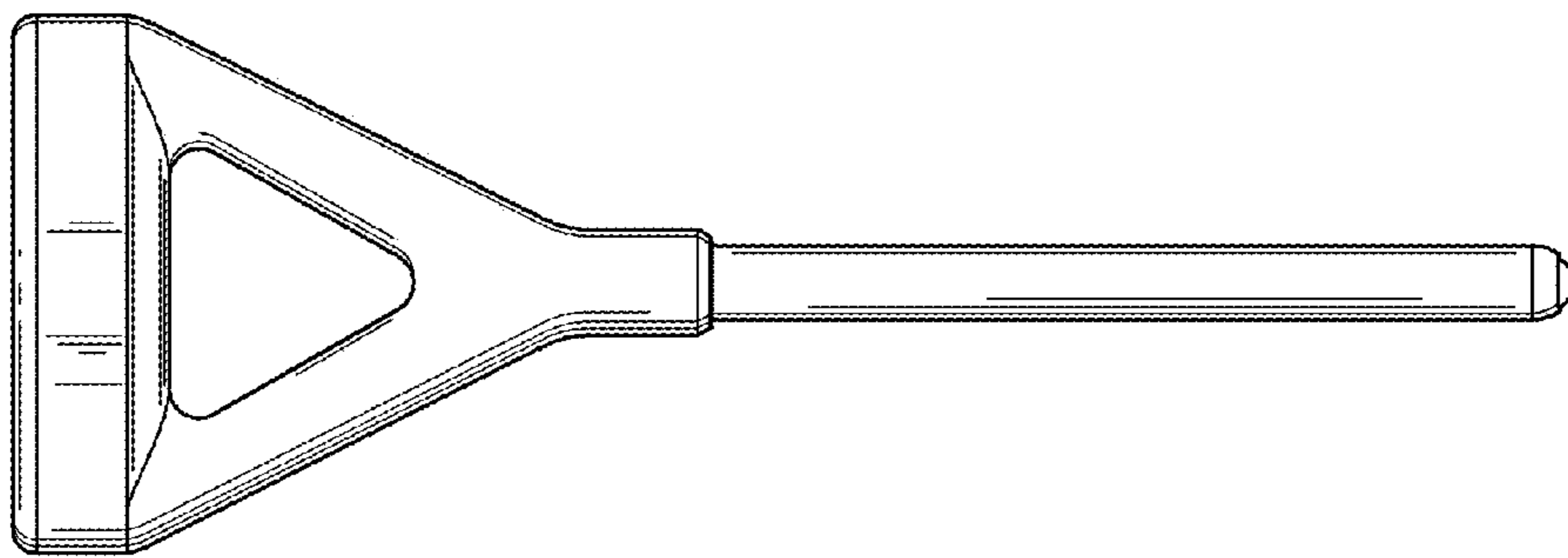


FIG. 1

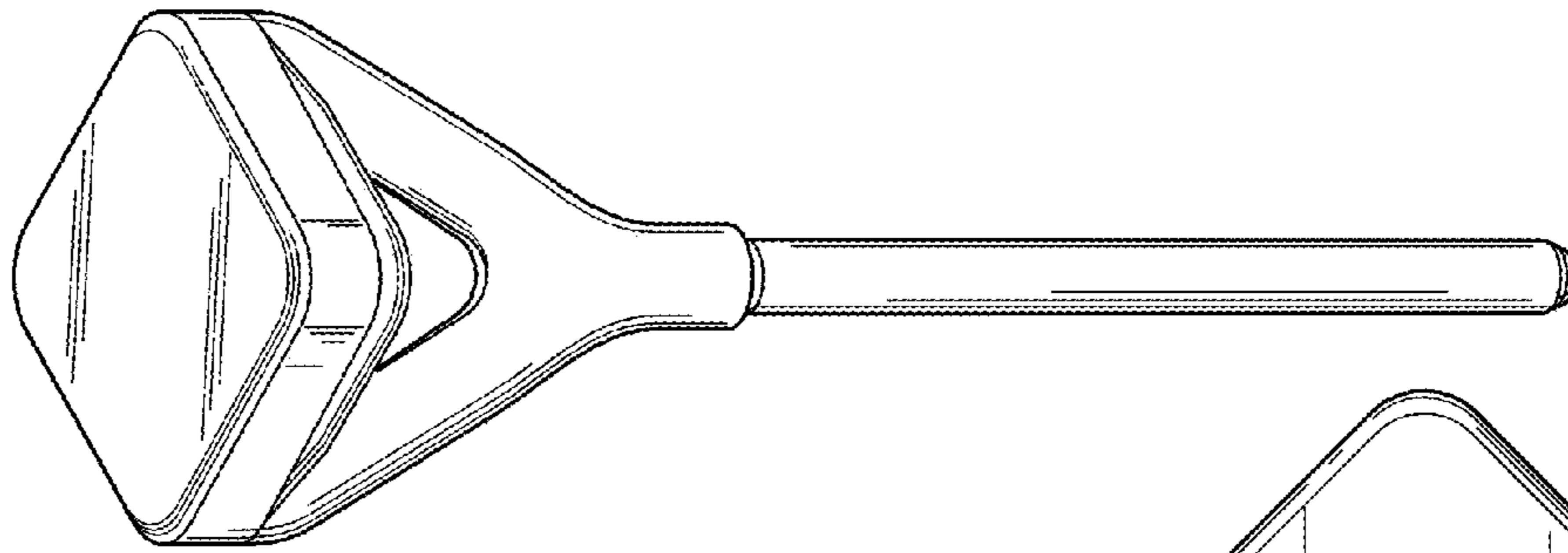


FIG. 5

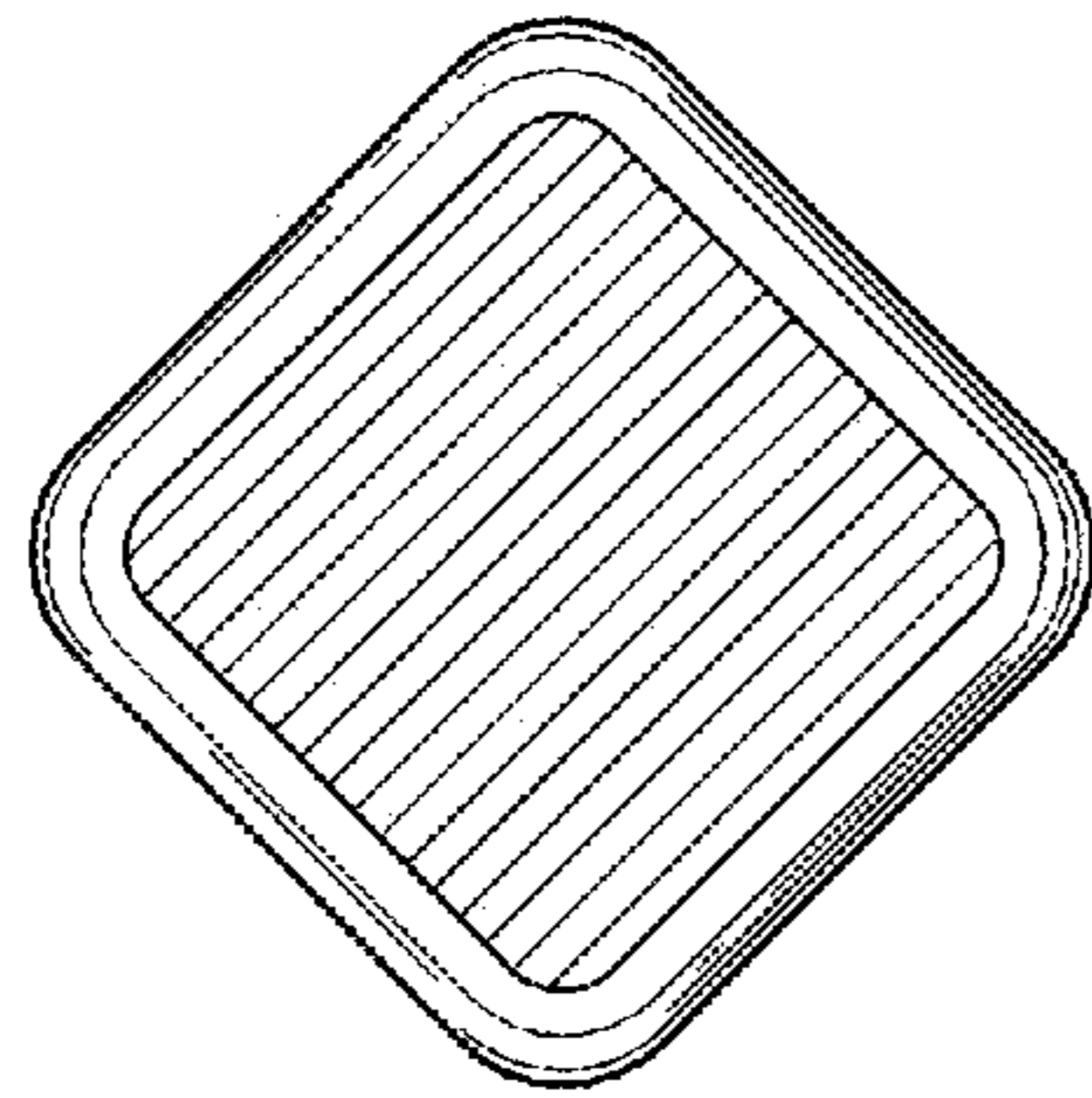


FIG. 6

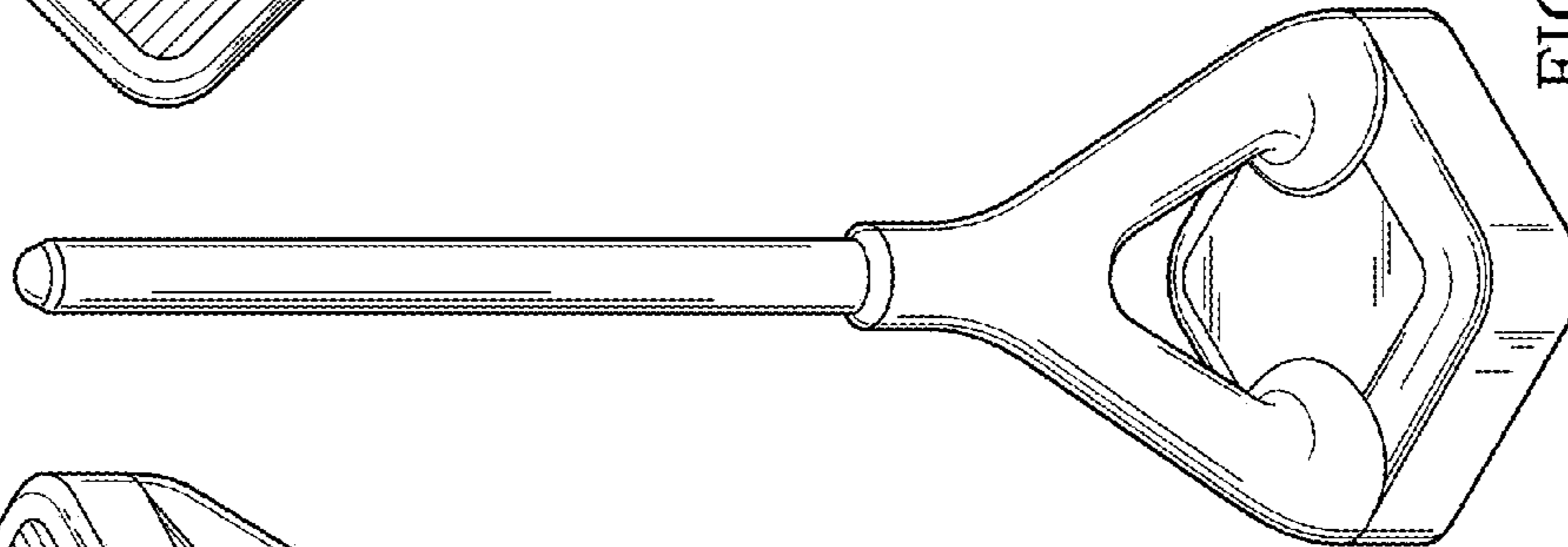


FIG. 7

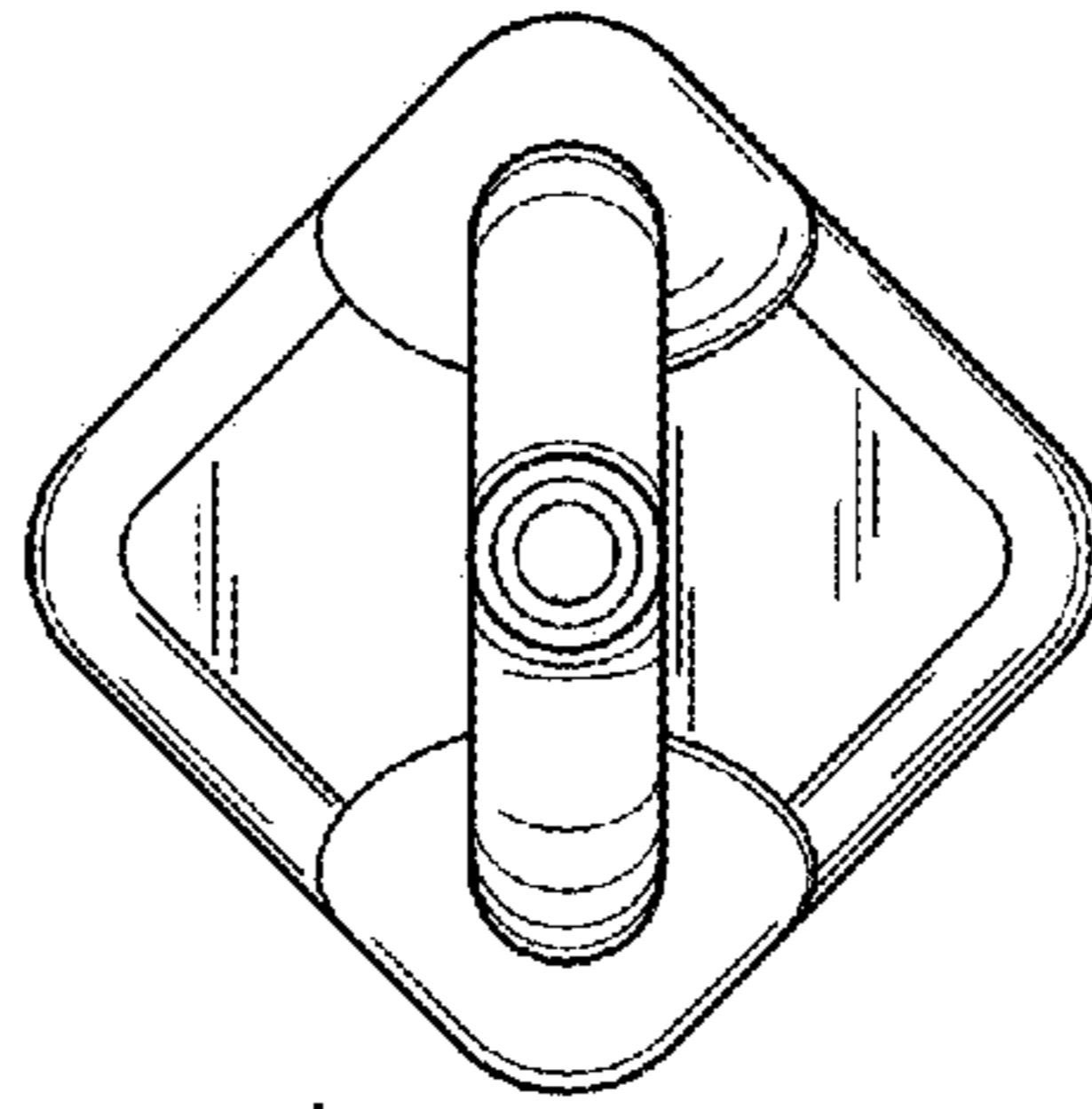


FIG. 8

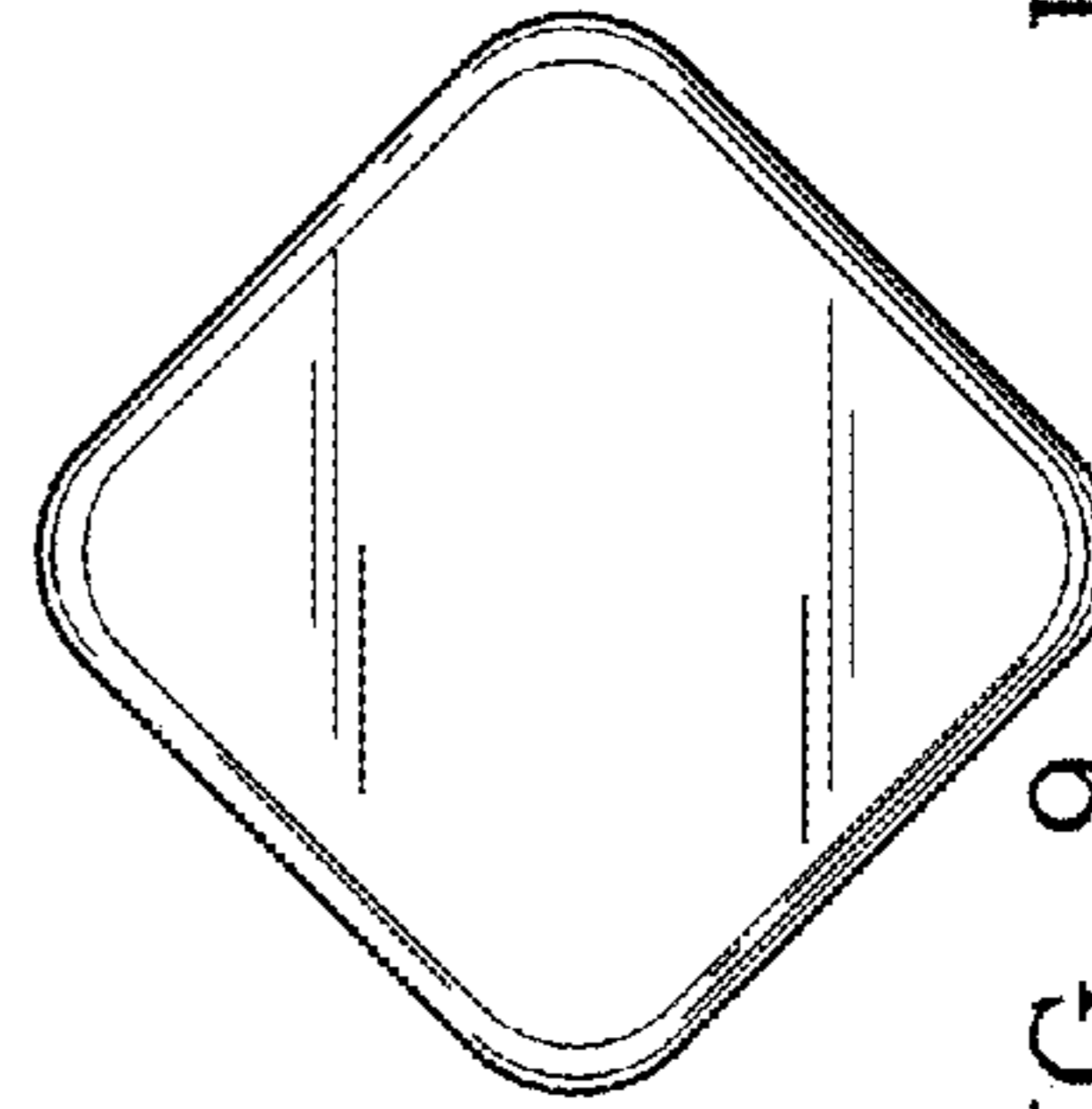


FIG. 9

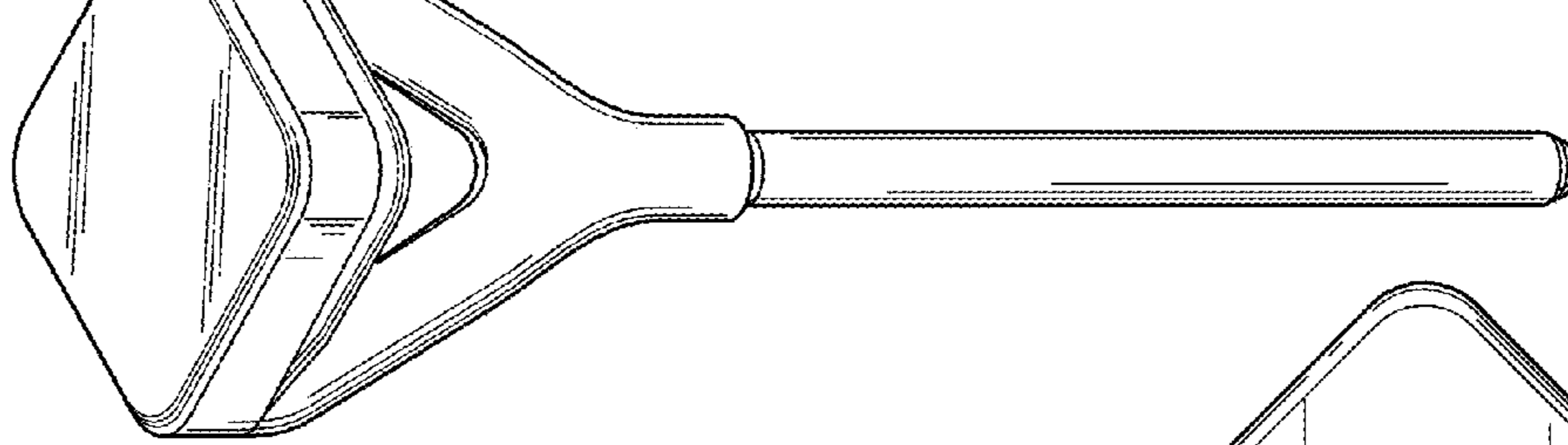


FIG. 10