



US00D747938S

(12) **United States Design Patent**
O’Connell et al.

(10) **Patent No.:** **US D747,938 S**
(45) **Date of Patent:** **** Jan. 26, 2016**

(54) **SPATULA**

- (71) Applicant: **TARGET BRANDS, INC.**,
Minneapolis, MN (US)
- (72) Inventors: **Patrick R. O’Connell**, St. Louis Park,
MN (US); **Daniel Joseph Hoyord**,
Chaska, MN (US); **Michael Charles**
Pearson, Minneapolis, MN (US); **Jacob**
J. Fine, Minneapolis, MN (US)
- (73) Assignee: **TARGET BRANDS, INC.**,
Minneapolis, MN (US)
- (**) Term: **14 Years**

(21) Appl. No.: **29/499,787**

(22) Filed: **Aug. 19, 2014**

(51) **LOC (10) Cl.** **07-02**

(52) **U.S. Cl.**
USPC **D7/688**

(58) **Field of Classification Search**
USPC D7/688, 689, 692; D32/46; 294/7, 8;
366/129; 15/245
CPC A47C 43/288; A47C 43/283
See application file for complete search history.

(56) **References Cited**

U.S. PATENT DOCUMENTS

D289,962 S *	5/1987	Augustino	D7/688
D444,030 S *	6/2001	Backstrom	D7/393
D464,536 S *	10/2002	Veltri	D7/688
D473,762 S *	4/2003	Kerr	D7/688
D477,190 S	7/2003	Bull et al.		
D477,191 S	7/2003	Bull et al.		
D481,270 S *	10/2003	Siegel	D7/688
D487,556 S *	3/2004	Siegel	D7/688
D527,944 S *	9/2006	Brooks	D7/393
D604,568 S	11/2009	Frank		
D604,569 S	11/2009	Frank		
D604,570 S	11/2009	Frank		
D606,372 S *	12/2009	Gorskey	D7/688

(Continued)

OTHER PUBLICATIONS

Office Action from Canadian Patent Application No. 159,939, mailed
Apr. 9, 2015 (2 pages).

(Continued)

Primary Examiner — Rosemary K Tarcza
Assistant Examiner — James Thorn, Sr.
(74) *Attorney, Agent, or Firm* — Griffiths & Seaton PLLC;
Joann M. Seaton

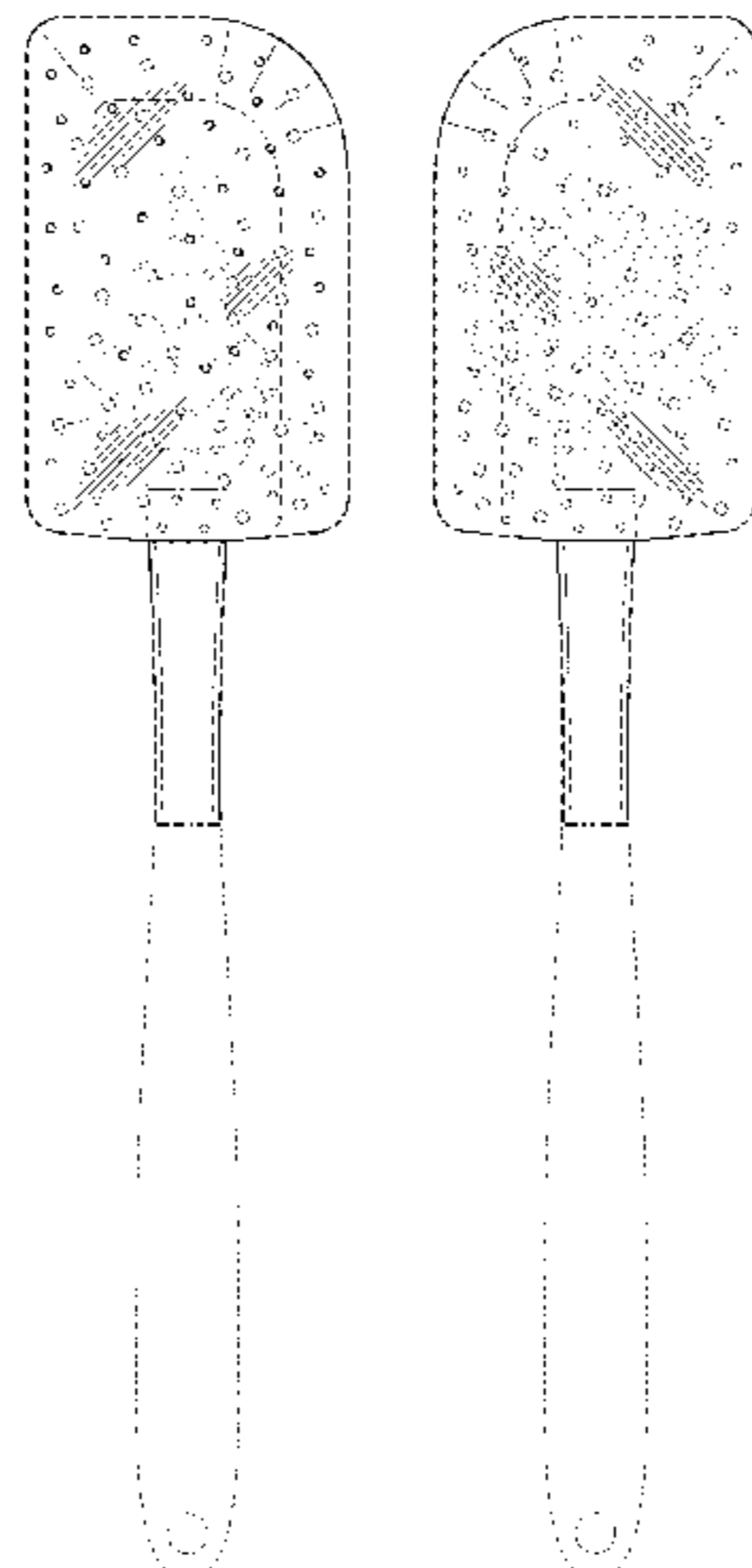
(57) **CLAIM**

The ornamental design for a spatula, as shown and described.

DESCRIPTION

FIG. 1 is a front, perspective view of a spatula showing a first embodiment of our new design having a substantially transparent upper blade with opaque details;
FIG. 2 is a front view thereof;
FIG. 3 is a rear view thereof;
FIG. 4 is a right side view thereof;
FIG. 5 is a left side view thereof;
FIG. 6 is a top view thereof; and
FIG. 7 is a bottom view thereof.
FIG. 8 is a front, perspective view of the spatula showing a second embodiment of our new design having a substantially transparent upper blade with opaque details;
FIG. 9 is a front view thereof;
FIG. 10 is a rear view thereof;
FIG. 11 is a right side view thereof;
FIG. 12 is a left side view thereof;
FIG. 13 is a top view thereof; and,
FIG. 14 is a bottom view thereof.
The features shown in broken lines are portions of the spatula forming no part of the claimed design. The features shown in long dash-short dash broken lines indicate the bounds of the claimed design and otherwise form no part of the claimed design.

1 Claim, 6 Drawing Sheets



(56)

References Cited

U.S. PATENT DOCUMENTS

D628,447 S	*	12/2010	Genatossio	D7/688
D628,448 S	*	12/2010	Genatossio	D7/691
D631,711 S	*	2/2011	Jossem	D7/688
D658,951 S	*	5/2012	Jossem	D7/688
D677,532 S	*	3/2013	Joseph	D7/688
D703,495 S	*	4/2014	Hoyord	D7/688
D708,025 S	*	7/2014	Cloutier	D7/688
D712,710 S	*	9/2014	Gonzales	D7/688
D713,220 S	*	9/2014	Cloutier	D7/688
D723,881 S	*	3/2015	Cloutier	D7/688
D740,082 S	*	10/2015	Silva	D7/688

OTHER PUBLICATIONS

“Wilton 570-1121 Easy Flex 3-Piece Silicone Spatula Set, Blue,” printed from <http://www.amazon.com/Wilton-570-1121-3-Piece-Silicone-Spatula/dp/B000M8YMEU>, publicly available at least as early as Sep. 22, 2008 (6 pages).

“Chef Craft 21214 1-Piece High Temperature Silicone Spatula, Black Handle with Clear Spatula, 12¼-Inch,” printed from <http://www.amazon.com/Chef-Craft-21214-Temperature-Silicone/dp/B00440D3N8>, publicly available at least as early as Sep. 25, 2011 (4 pages).

“Silicone Spatula Large, Clear,” printed from <http://www.williams-sonoma.com/products/22106801>, publicly available at least as early as Nov. 1, 2013, per <http://web.archive.org> (2 pages).

“Snowflake Spatula (Silicone),” printed from <http://deseretbook.com/Snowflake-Spatula-Brownlow-Gifts/i/5070036>, publicly available at least as early as Apr. 30, 2014 (12 pages).

“Hard Plastic Spatula,” printed from <https://www.gelatosupply.com/products.html?id=m>, publicly available at least as early as Apr. 30, 2014 (3 pages).

“Progressive 11.5” Hi-Heat Nylon Wide Spatula/Turner New,” printed from <http://www.ebay.com/itm/Progressive-11-5-Hi-Heat-Nylon-Wide-Spatula-Turner-NEW-/200573349566>, publicly available at least as early as Apr. 30, 2014 (3 pages).

* cited by examiner

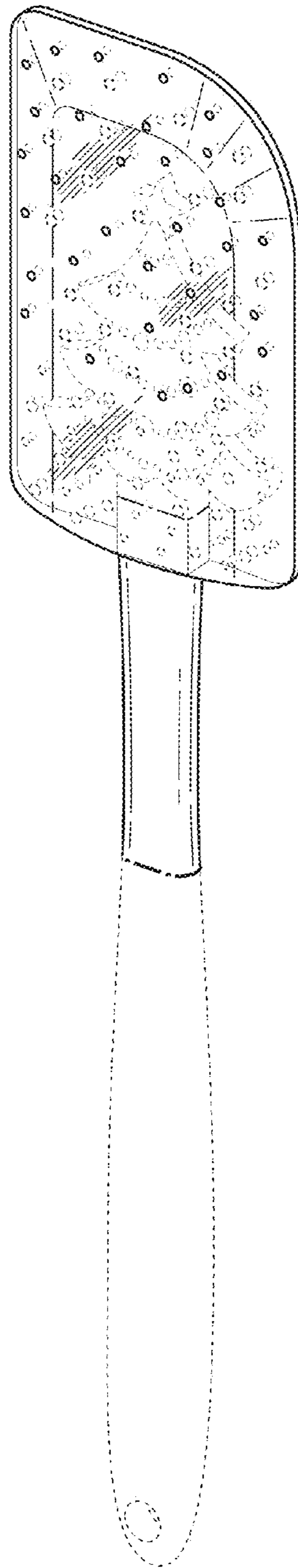


FIG. 1

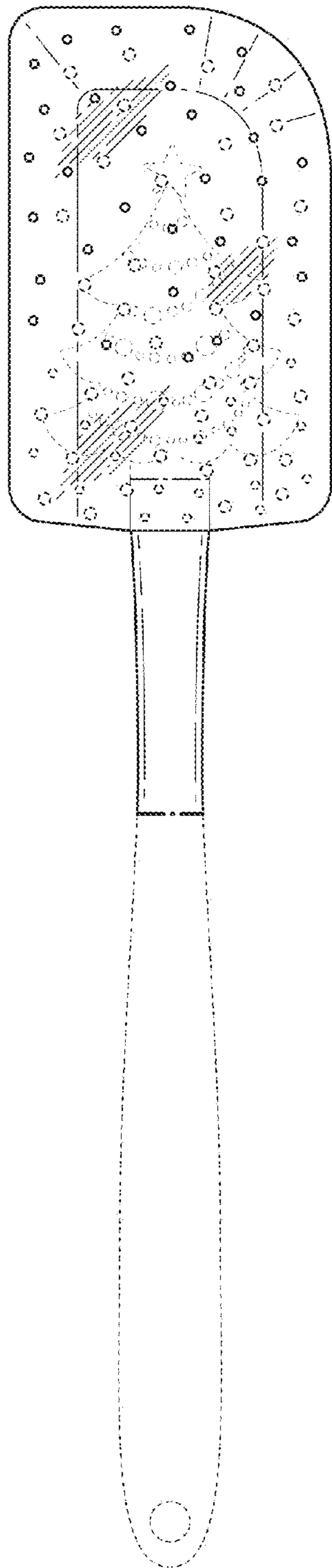


FIG. 2

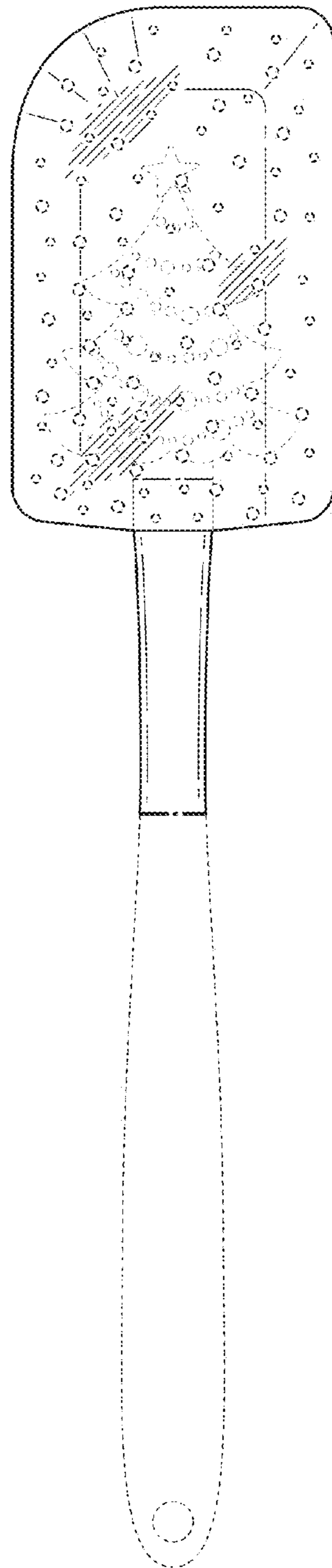


FIG. 3

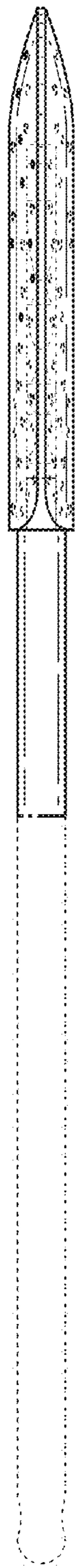


FIG. 4



FIG. 5

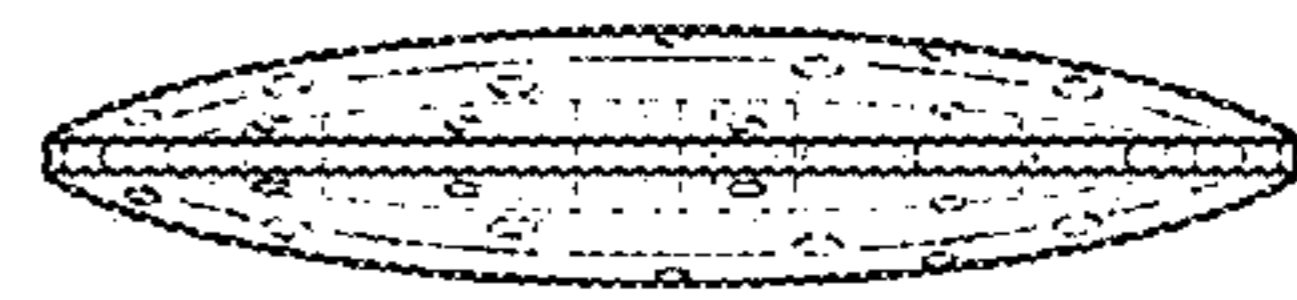


FIG. 6



FIG. 7

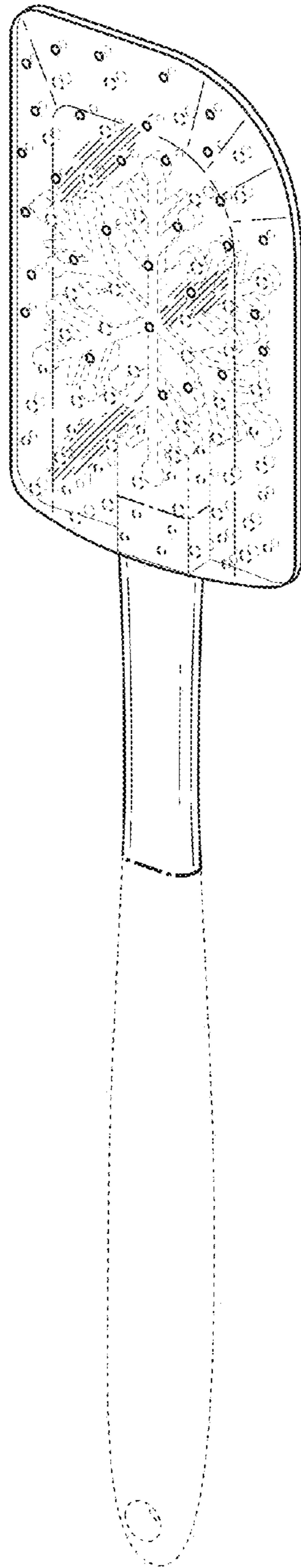


FIG. 8

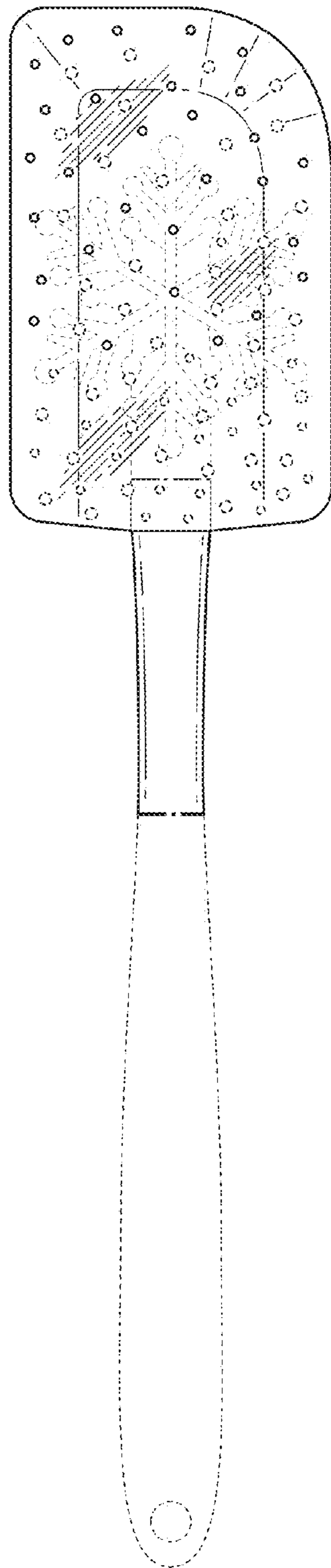


FIG. 9

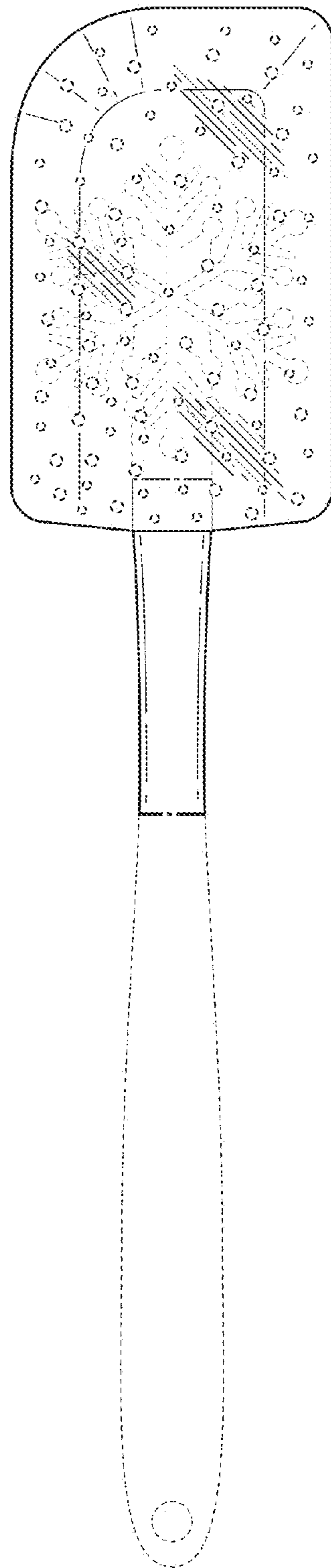


FIG. 10

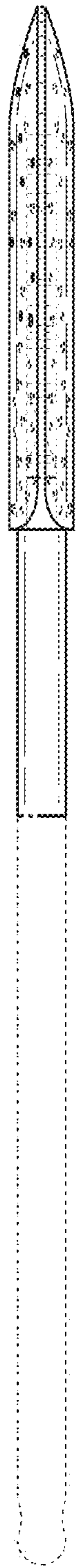


FIG. 11

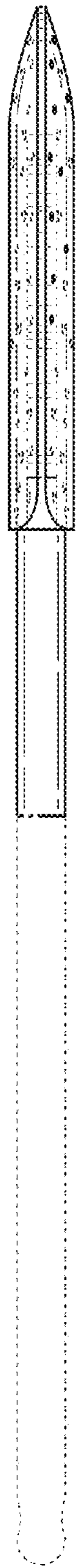


FIG. 12

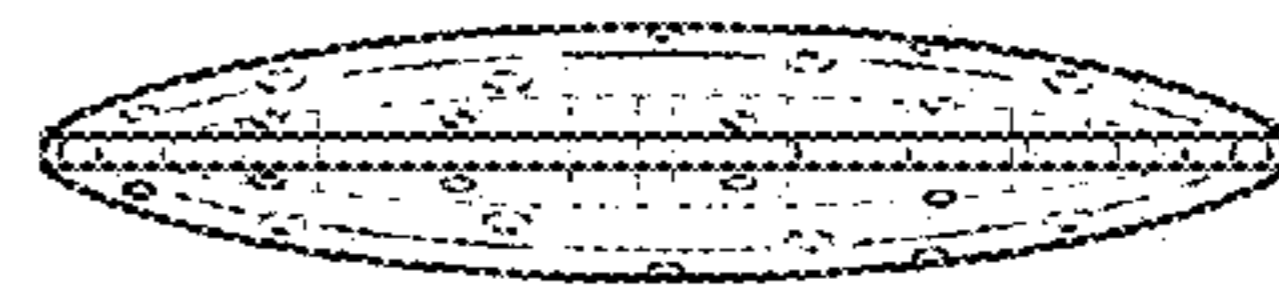


FIG. 13



FIG. 14