



US00D747932S

(12) **United States Design Patent**  
**Goodman et al.**

(10) **Patent No.:** **US D747,932 S**  
(45) **Date of Patent:** **\*\* Jan. 26, 2016**

(54) **BREAD BASKET**

(71) Applicant: **Spectrum Diversified Designs, Inc.**,  
Streetsboro, OH (US)  
(72) Inventors: **Sheldon H. Goodman**, Solon, OH (US);  
**Phaysouk Xayoiphonh**, Akron, OH  
(US)

(73) Assignee: **Spectrum Diversified Designs, LLC**,  
Streetsboro, OH (US)

(\*\*) Term: **14 Years**

(21) Appl. No.: **29/495,446**

(22) Filed: **Jul. 1, 2014**

(51) **LOC (10) Cl.** ..... **07-01**

(52) **U.S. Cl.**  
USPC ..... **D7/609; D7/601**

(58) **Field of Classification Search**  
USPC ..... D7/601, 584, 586, 587; D3/304, 306;  
220/574–575, 485–495; 211/191.1,  
211/13.1, 41.3, 41.4, 85.4, 85.31  
CPC ..... B65D 7/20; B65D 7/26; B65D 7/14  
See application file for complete search history.

(56) **References Cited**

U.S. PATENT DOCUMENTS

D371,228 S *	6/1996	Monin	.....	D30/121
D586,558 S *	2/2009	Ziemann	.....	D3/304
D608,599 S *	1/2010	Goodman	.....	D7/601
D616,253 S *	5/2010	Goodman	.....	D7/601
D616,255 S *	5/2010	Goodman	.....	D7/601
D697,371 S *	1/2014	Goodman	.....	D3/306

\* cited by examiner

*Primary Examiner* — Terry Wallace

(74) *Attorney, Agent, or Firm* — Benesch Friedlander  
Coplan & Aronoff LLP

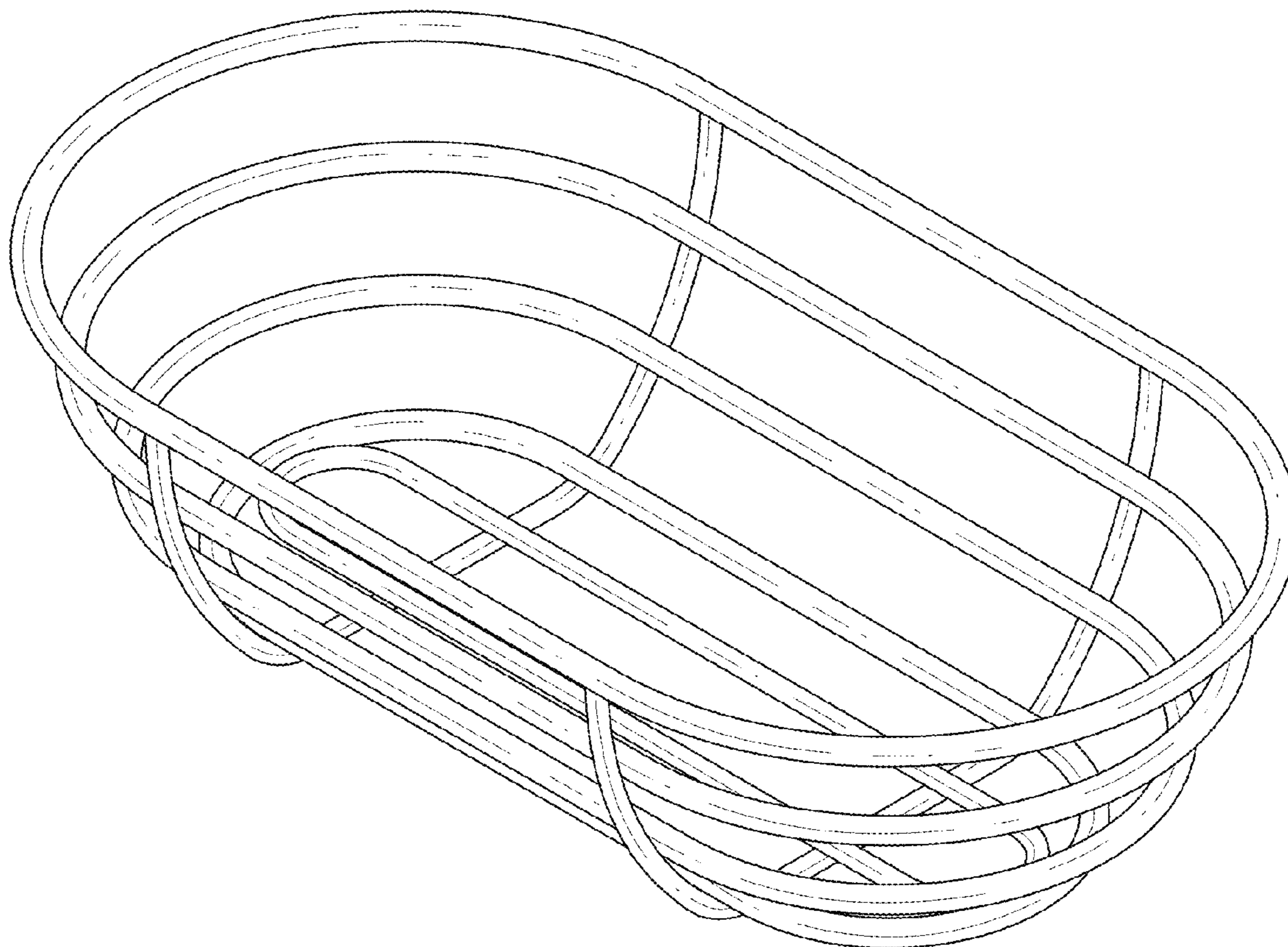
(57) **CLAIM**

What is claimed is the ornamental design for a bread basket,  
as shown and described.

**DESCRIPTION**

FIG. 1 is a perspective view of a bread basket showing a new  
design;  
FIG. 2 is a top view of the bread basket of FIG. 1;  
FIG. 3 is a front view of the bread basket of FIG. 1  
FIG. 4 is a side view of the bread basket of FIG. 1; and,  
FIG. 5 is a bottom view of the bread basket of FIG. 1.

**1 Claim, 2 Drawing Sheets**



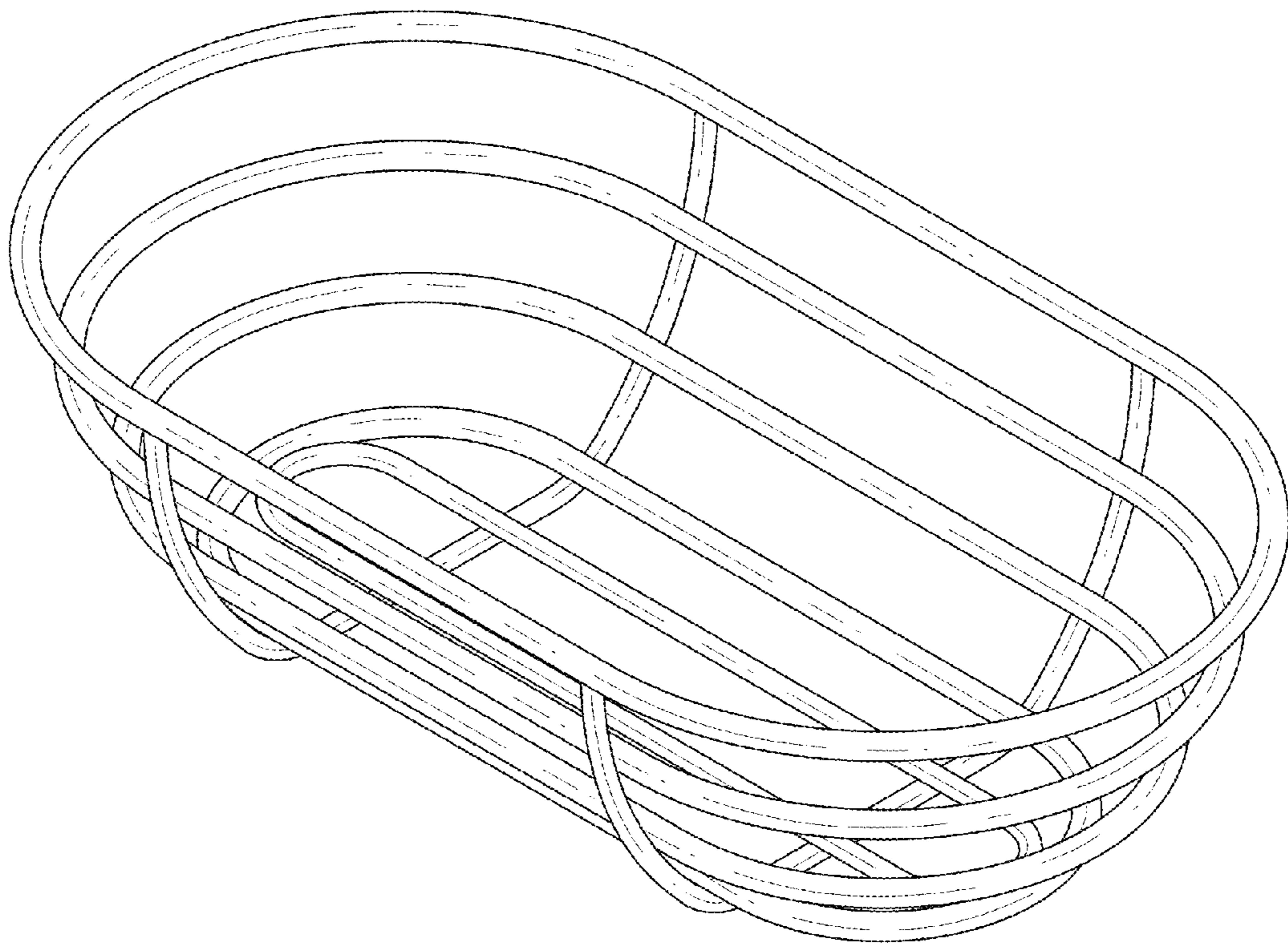


FIG. 1

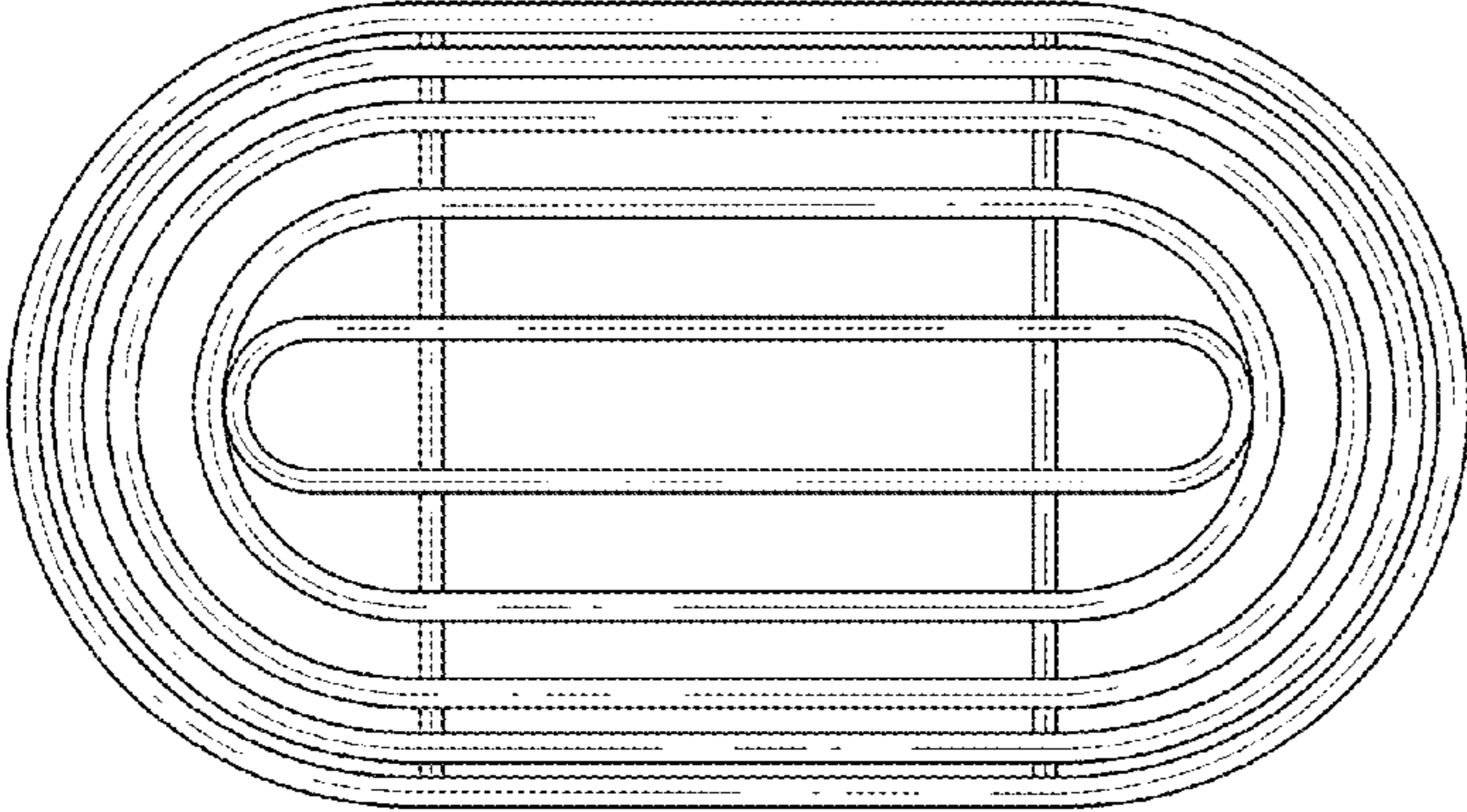


FIG. 2

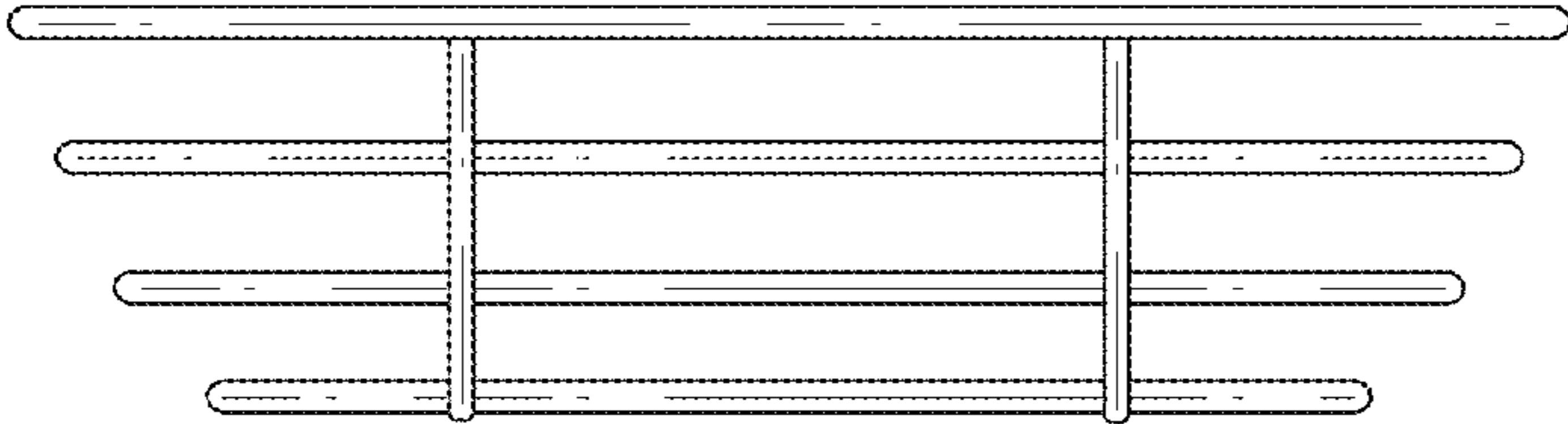


FIG. 3

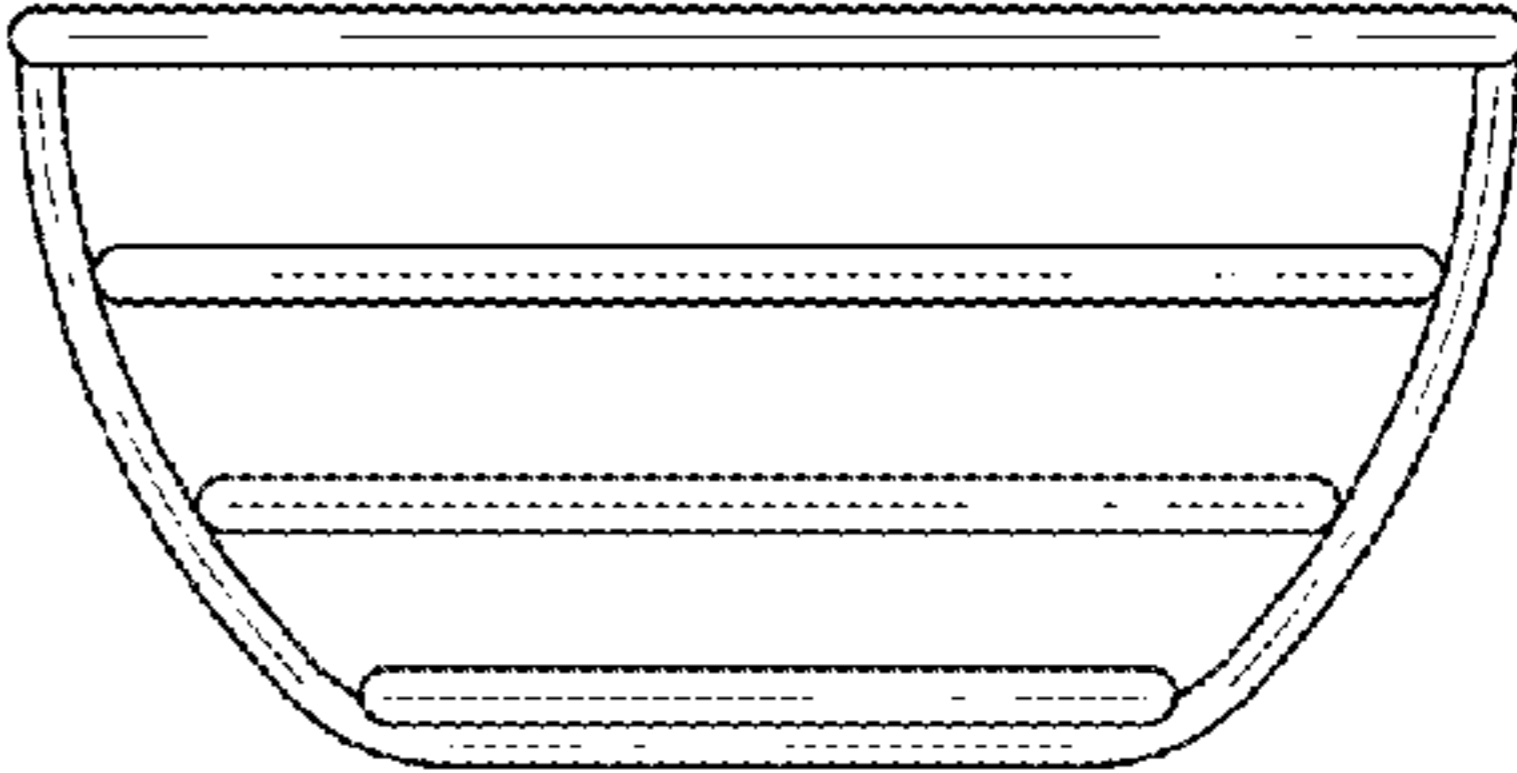


FIG. 4

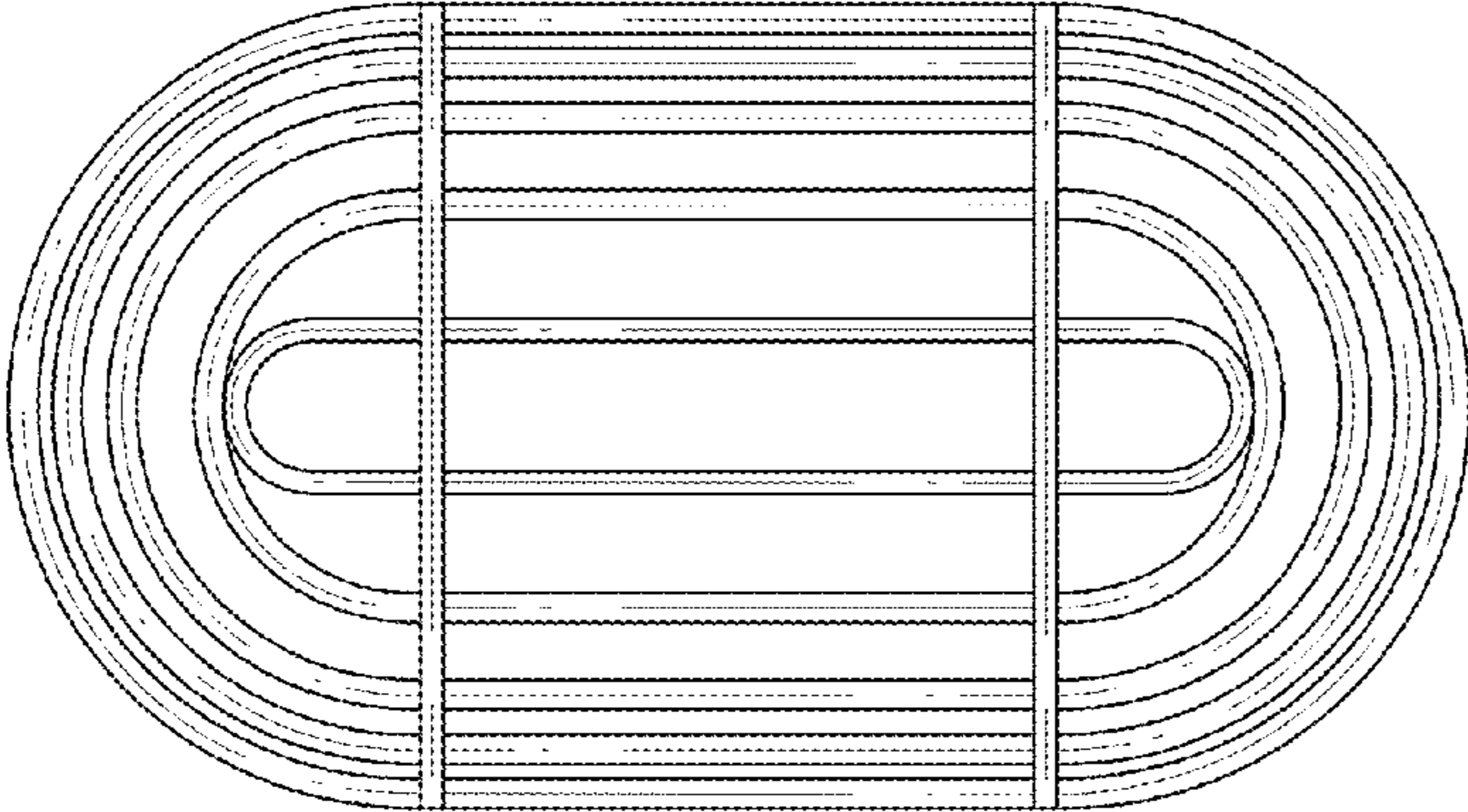


FIG. 5