



US00D747930S

(12) **United States Design Patent**
Waddell et al.

(10) **Patent No.:** **US D747,930 S**
(45) **Date of Patent:** **** Jan. 26, 2016**

(54) **DIVIDED PLATE**

(71) Applicant: **TARGET BRANDS, INC.**,
Minneapolis, MN (US)

(72) Inventors: **Matthew Waddell**, St. Paul, MN (US);
Michael Miller Habig, Minneapolis,
MN (US)

(73) Assignee: **Target Brands, Inc.**, Minneapolis, MN
(US)

(**) Term: **14 Years**

(21) Appl. No.: **29/493,221**

(22) Filed: **Jun. 6, 2014**

(51) **LOC (10) Cl.** **07-01**

(52) **U.S. Cl.**
USPC **D7/555**

(58) **Field of Classification Search**
USPC D7/584, 500, 560, 554.3, 550.1, 538,
D7/571, 587, 586, 551.2, 543, 545, 505,
D7/566, 509, 555; 220/574; D30/129;
D3/304; D19/107, 135, 95
CPC A47G 19/02; A47G 19/06; A47G 23/06;
A47G 19/12; B65D 1/34; A01K 5/0142;
A01K 5/0114

See application file for complete search history.

(56) **References Cited**

U.S. PATENT DOCUMENTS

1,945,013 A * 1/1934 Wilson A47G 19/02
220/4.23
D278,198 S * 4/1985 Harper D7/555
D339,030 S 9/1993 Bitel, Sr.
D346,934 S 5/1994 Littlejohn
D410,820 S * 6/1999 Lofrano D7/507
D413,044 S * 8/1999 Zappolo D7/555
D426,751 S * 6/2000 Obra D7/549
D434,276 S * 11/2000 Obra D7/549
D473,427 S 4/2003 Kleckauskas et al.

D496,829 S * 10/2004 Guzzini D7/553.6
D514,384 S * 2/2006 Mitchell D7/352
D547,127 S * 7/2007 Haughton D7/553.6
D562,078 S * 2/2008 Herssein D7/555
D584,108 S 1/2009 Olsson
D587,971 S 3/2009 Peabody et al.
D605,896 S 12/2009 Zalewski et al.
D623,020 S 9/2010 De Bretton Gordon
D623,021 S 9/2010 De Bretton Gordon

(Continued)

OTHER PUBLICATIONS

“Little Husks Dinner Plate,” printed from http://www.simplygoodstuff.com/littlehusks_dinnerplate.html, publicly available at least as early as Sep. 28, 2009, per <http://web.archive.org> (3 pages).

(Continued)

Primary Examiner — Cynthia Underwood

(74) *Attorney, Agent, or Firm* — Griffiths & Seaton PLLC;
Joann M. Seaton

(57) **CLAIM**

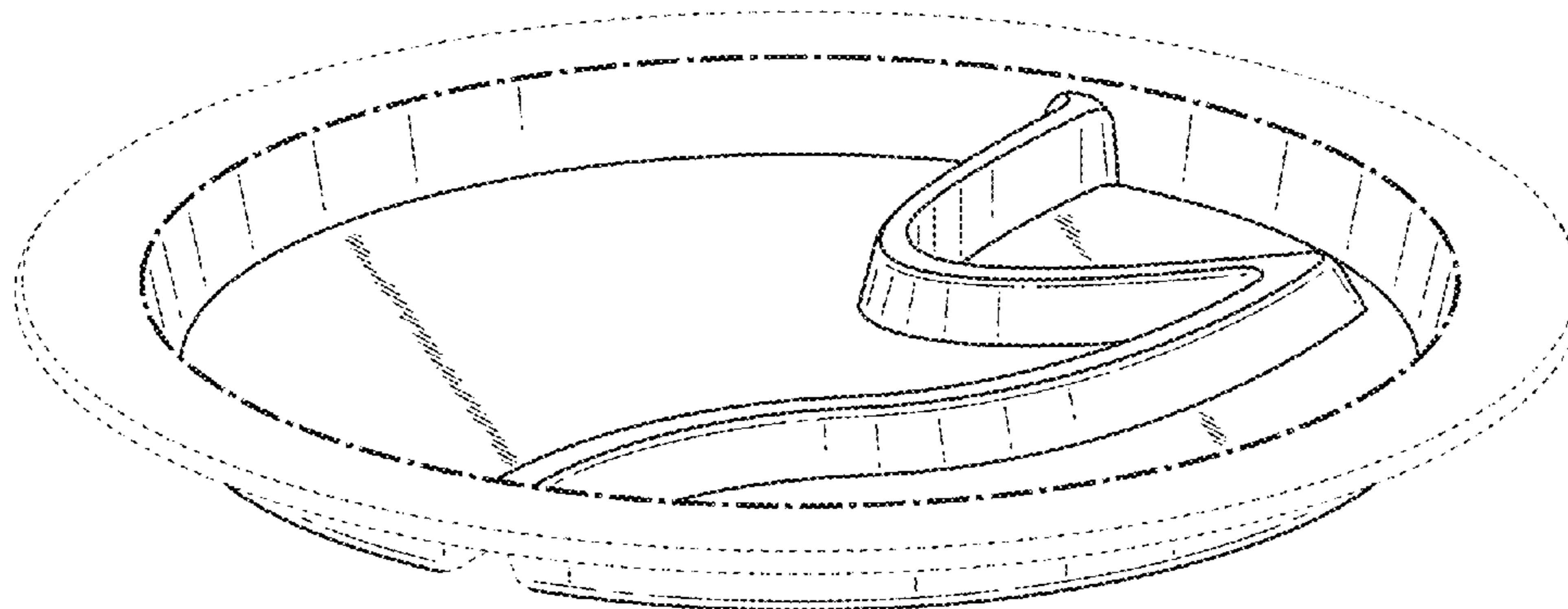
The ornamental design for a divided plate, as shown and described.

DESCRIPTION

FIG. 1 is a front, perspective view of a divided plate showing our new design;
FIG. 2 is a front view thereof;
FIG. 3 is a rear view thereof;
FIG. 4 is a right side view thereof, the left side view being a mirror image of the right side view;
FIG. 5 is a top view thereof; and,
FIG. 6 is a bottom view thereof.

The features shown in broken lines are portions of the divided plate forming no part of the claimed design. The features shown in long dash-short dash bolded broken lines indicate the bounds of the claimed design and otherwise form no part of the claimed design.

1 Claim, 4 Drawing Sheets



(56)

References Cited

U.S. PATENT DOCUMENTS

| | | | |
|------------|-----------|-----------------------|----------|
| D623,479 S | 9/2010 | De Bretton Gordon | |
| D652,683 S | 1/2012 | Munoz | |
| D670,041 S | * 10/2012 | Chance | D30/129 |
| D693,179 S | 11/2013 | Vujea et al. | |
| D693,180 S | 11/2013 | Peterson et al. | |
| D693,646 S | 11/2013 | Katterheinrich et al. | |
| D695,077 S | 12/2013 | Chase | |
| D718,092 S | * 11/2014 | Lion | D7/555 |
| D734,097 S | * 7/2015 | Vue | D7/553.1 |

OTHER PUBLICATIONS

“Sprout Ware Plate and Bowl Set 2pk,” printed from <http://www.iplaybabywear.com/index.php/sprout-ware-plate-and-bowl-set-2pk>.

html, publicly available at least as early as Feb. 19, 2012, per <http://web.archive.org> (2 pages).

“Oval Divided Dish,” printed from <http://www.temptationgifts.com/the-very-hungry-caterpillar-oval-divided-dish.html>, publicly available at least as early as Nov. 14, 2012 (1 page).

“Retro Divided Plate and Cup for Children—Melamine Anacapa—Farm Animals and Alphabet,” printed from <http://www.etsy.com/listing/89076005/retro-divided-plate-and-cup-for-children>, publicly available at least as early as Nov. 14, 2012 (2 pages).

“Phillips Avent BPA Free Toddler Bowls, Plates, & Spoons,” printed from <http://www.addictedtosaving.com/phillips-avent-bpa-free-toddler-bowls-plates-spoons-50-62-off/>, publicly available Jan. 8, 2013 (12 pages).

Office Action from Canadian Patent Application No. 157,767, mailed Dec. 23, 2014 (2 pages).

* cited by examiner

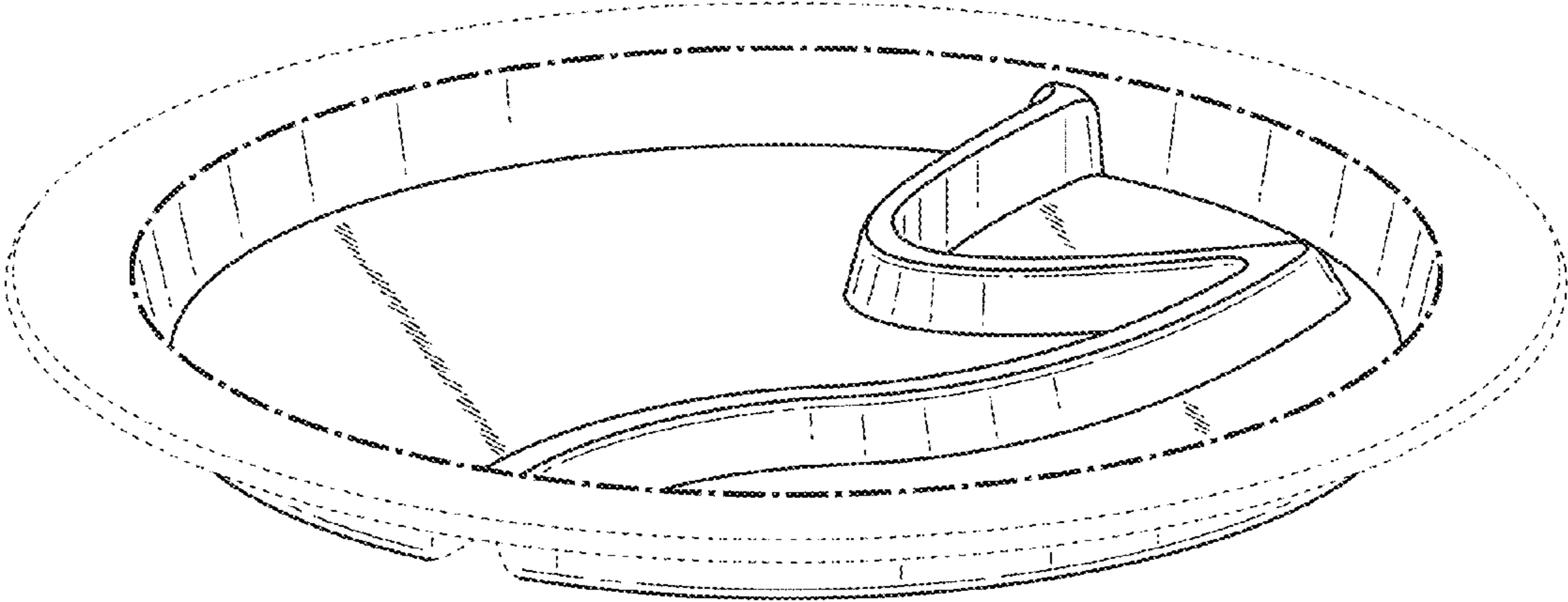


FIG. 1



FIG. 2



FIG. 3

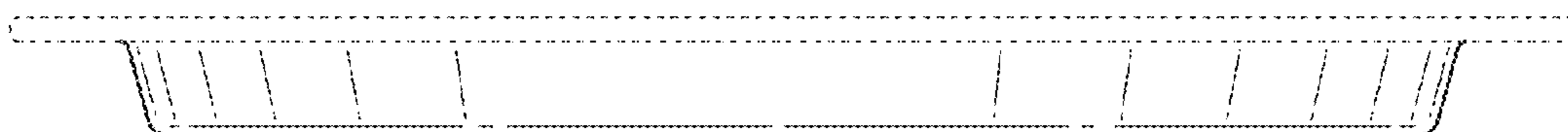


FIG. 4

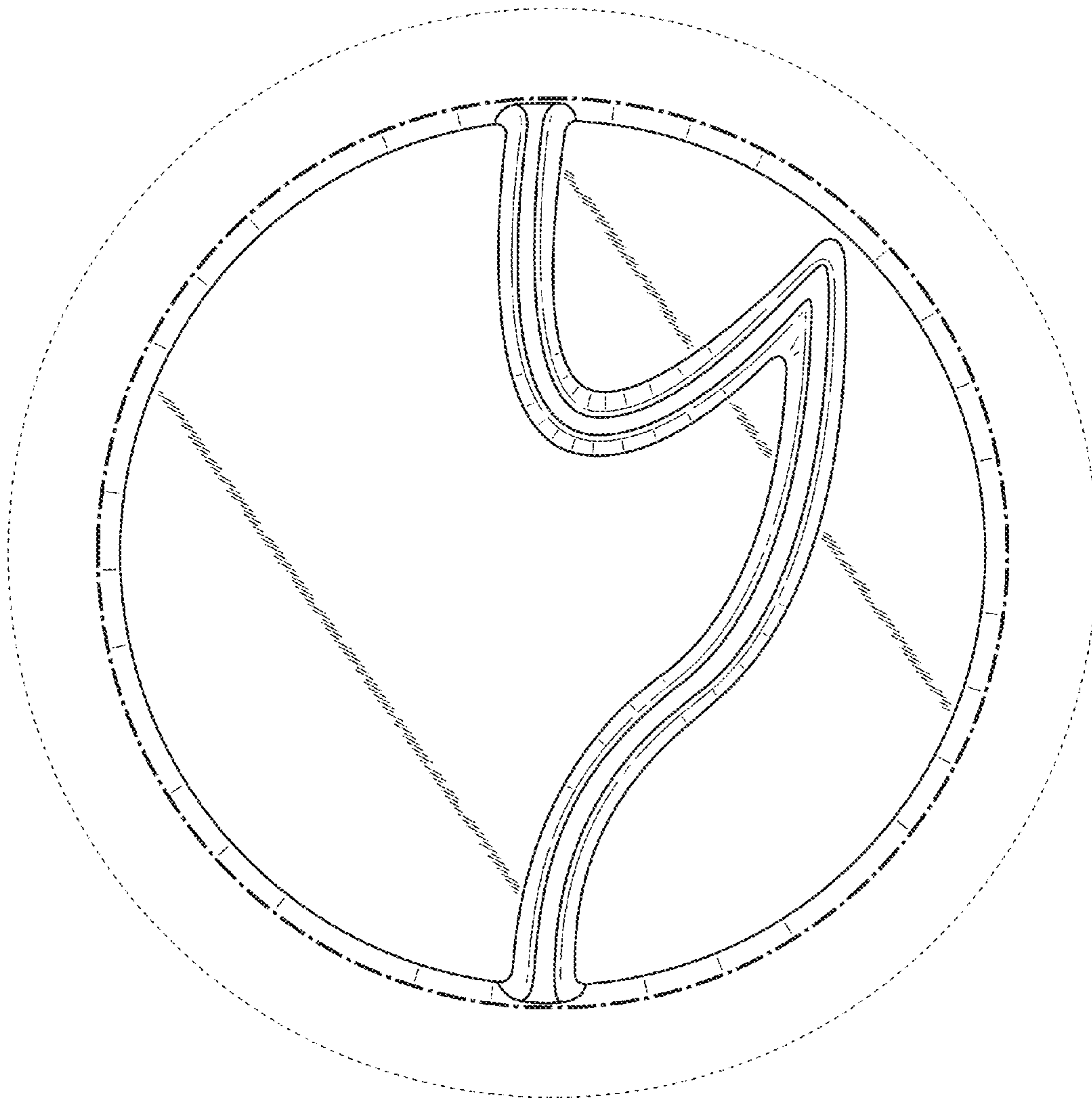


FIG. 5

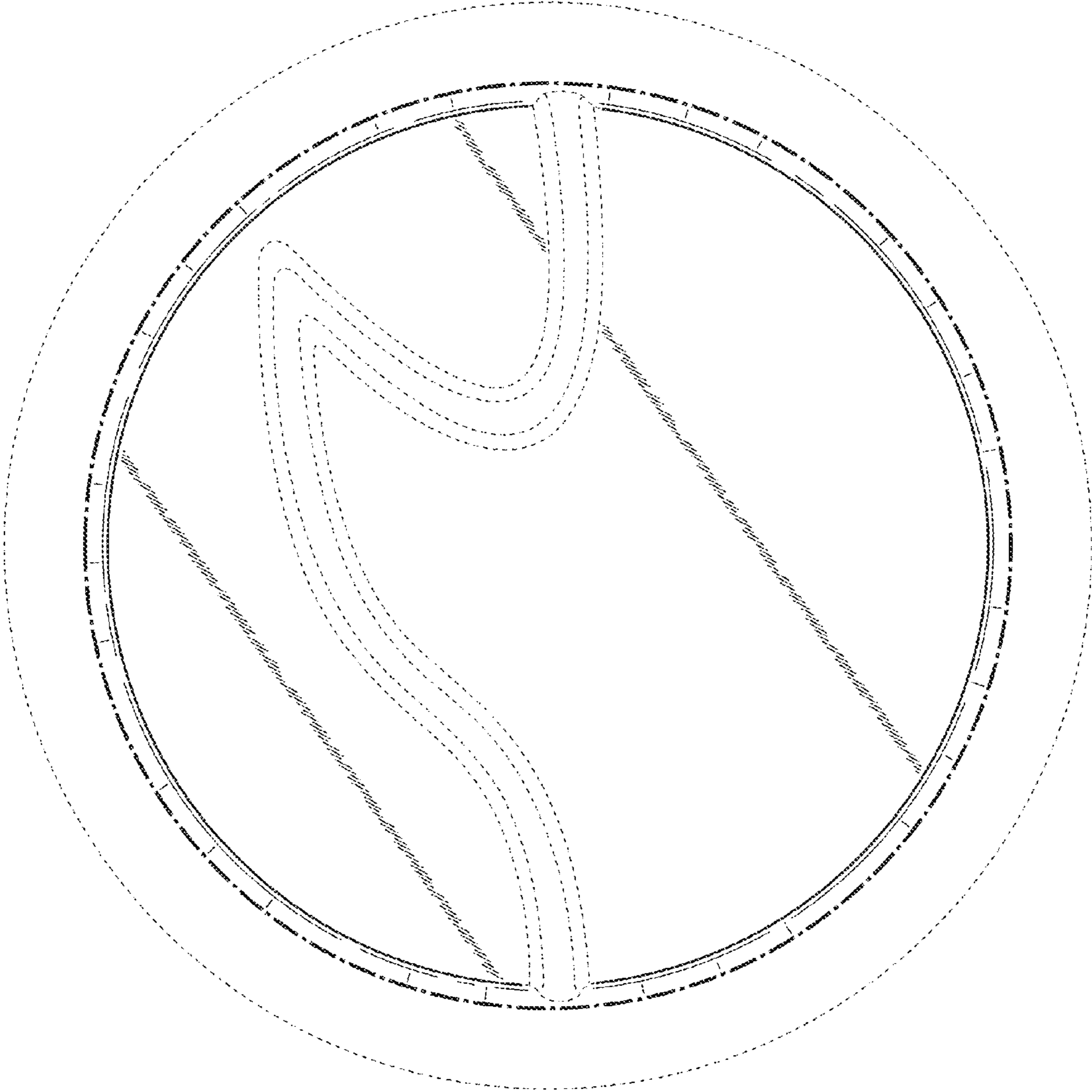


FIG. 6