



US00D747925S

(12) **United States Design Patent**  
**Engler et al.**

(10) **Patent No.:** **US D747,925 S**  
(45) **Date of Patent:** **\*\* Jan. 26, 2016**

- (54) **STEPPED TUMBLER**
- (71) Applicant: **The Boelter Companies, Inc.**,  
Waukesha, WI (US)
- (72) Inventors: **Jeff Engler**, Glendale, WI (US); **Jay Wilcox**, Glendale, WI (US)
- (73) Assignee: **BOELTER BRANDS, LLC**, Waukesha, WI (US)
- (\*\*) Term: **14 Years**
- (21) Appl. No.: **29/510,146**
- (22) Filed: **Nov. 25, 2014**
- (51) **LOC (10) Cl.** ..... **07-01**
- (52) **U.S. Cl.**  
USPC ..... **D7/512; D7/510; D7/532; D7/523**
- (58) **Field of Classification Search**  
USPC ..... D7/507, 509, 510, 511, 512, 513, 523,  
D7/529, 532, 608, 391, 392.1, 300.2,  
D7/619.1, 514, 396.2; 220/669, 737, 673,  
220/675, 715; 229/402, 405; 206/520;  
D9/745, 500, 502, 562; D3/202;  
D11/143, 144, 153; 215/383, 382  
CPC ..... A47G 19/22; A47G 19/2216; A47G  
2019/2277; A47G 19/2272; A45F 3/20;  
A45F 2003/205; B65D 3/06  
See application file for complete search history.

(56) **References Cited**

**U.S. PATENT DOCUMENTS**

- 211,568 A \* 1/1879 Hailer ..... A45F 3/20  
206/218
- 1,020,347 A \* 3/1912 Follett ..... B65D 21/086  
220/8
- 1,128,211 A \* 2/1915 Wohlwend ..... A45F 3/20  
132/148
- 3,285,459 A \* 11/1966 Gahm ..... A61J 7/0046  
116/308
- 3,291,361 A \* 12/1966 Commeyras ..... B29C 57/12  
220/659
- D210,767 S \* 4/1968 Anglads ..... D7/532
- D220,204 S \* 3/1971 Gahm ..... D7/512

- 4,420,081 A \* 12/1983 Dart ..... B65D 1/265  
206/519
- D272,794 S \* 2/1984 Dart ..... D7/532
- D343,990 S \* 2/1994 Maraan, II ..... D7/507
- D446,687 S \* 8/2001 Furman ..... D7/509
- 6,382,449 B1 \* 5/2002 Kazmierski ..... B65D 3/14  
220/4.03
- 6,497,338 B1 \* 12/2002 Stolzman ..... B65D 1/16  
220/605
- D475,243 S \* 6/2003 Trazzi ..... D7/523
- D544,303 S \* 6/2007 Strepkoff ..... D7/512
- D565,902 S \* 4/2008 Bodum ..... D7/500
- D570,159 S \* 6/2008 McGill ..... D7/509
- D611,384 S \* 3/2010 Biegel ..... D11/152
- D640,094 S \* 6/2011 Carlson ..... D7/510
- 7,988,011 B1 \* 8/2011 Guevara ..... B65F 1/02  
220/484

(Continued)

**OTHER PUBLICATIONS**

Collapsible Coffee Mug Aug. 22, 2012 <http://earthtechling.com/2012/08/a-collapsible-coffee-mug-youll-have-a-crush-on/>.\*

*Primary Examiner* — Marianne Pandozzi

*Assistant Examiner* — Jae Liang

(74) *Attorney, Agent, or Firm* — Quarles & Brady LLP

(57) **CLAIM**

The ornamental design for a stepped tumbler, as shown and described.

**DESCRIPTION**

FIG. 1 is a top, left side perspective view of a tumbler embodying our new design;

FIG. 2 is a front elevational view thereof;

FIG. 3 is a side elevational view thereof.

FIG. 4 is a rear elevational view thereof.

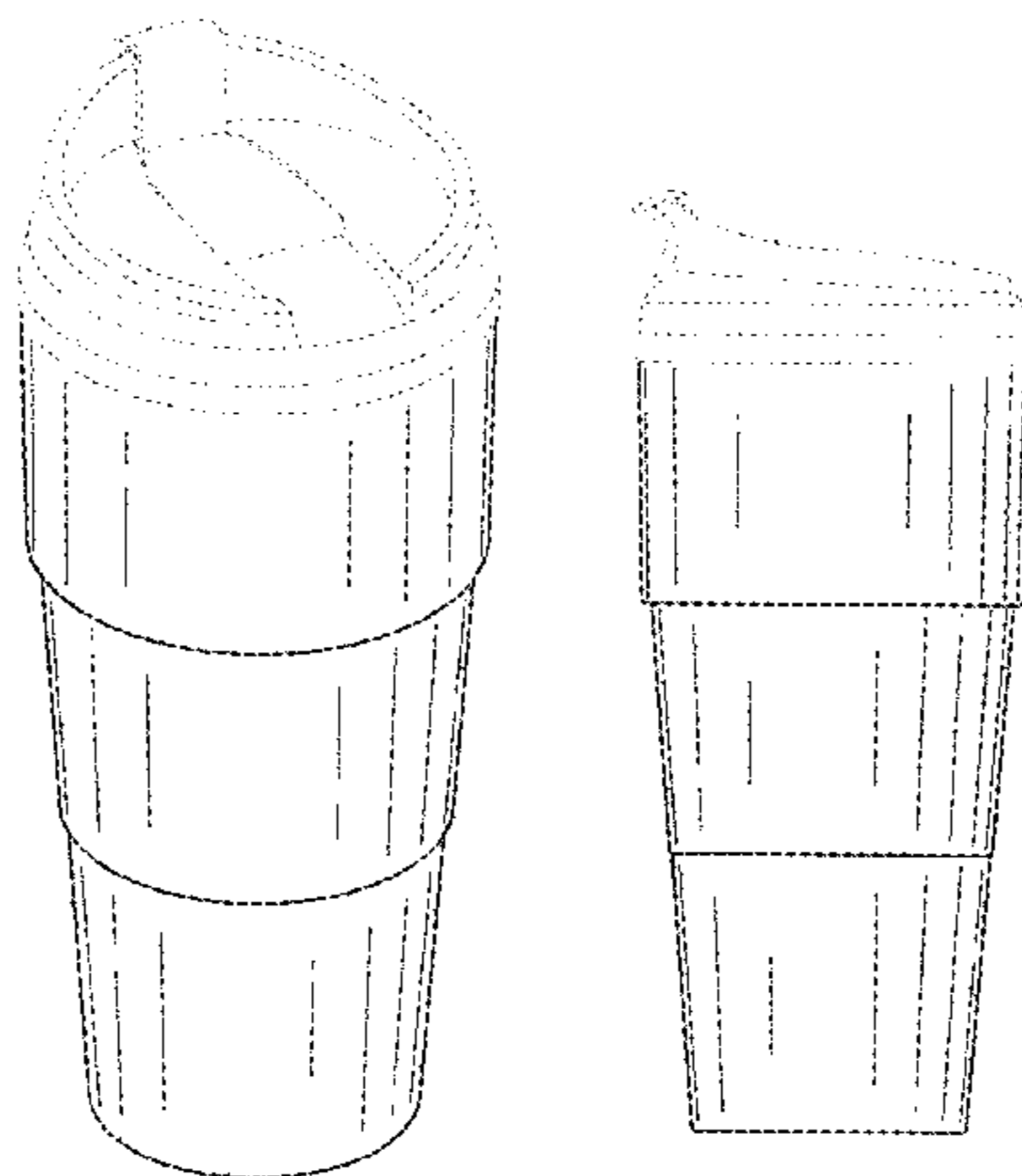
FIG. 5 is a top plan view thereof; and,

FIG. 6 is a bottom plan view thereof.

The broken line shown in the figure drawings are included for the purpose of illustration and form no part of the claimed design.

In a preferred embodiment, the nature of this product is a drinking container.

**1 Claim, 3 Drawing Sheets**



(56)

**References Cited**

U.S. PATENT DOCUMENTS

D668,148 S \* 10/2012 Sory ..... D9/435  
D684,011 S \* 6/2013 Fallas ..... D7/513  
D710,650 S \* 8/2014 Blum ..... D7/510  
D717,114 S \* 11/2014 Katterheinrich ..... D7/505  
D732,343 S \* 6/2015 Romley ..... D7/532

9,044,082 B2 \* 6/2015 Kusuma ..... A45F 3/20  
2011/0248037 A1 \* 10/2011 Fung ..... B65D 21/0219  
220/592.2  
2011/0303659 A1 \* 12/2011 Perlman ..... A45F 3/20  
220/8  
2013/0264340 A1 \* 10/2013 Zens ..... B65D 21/086  
220/8

\* cited by examiner

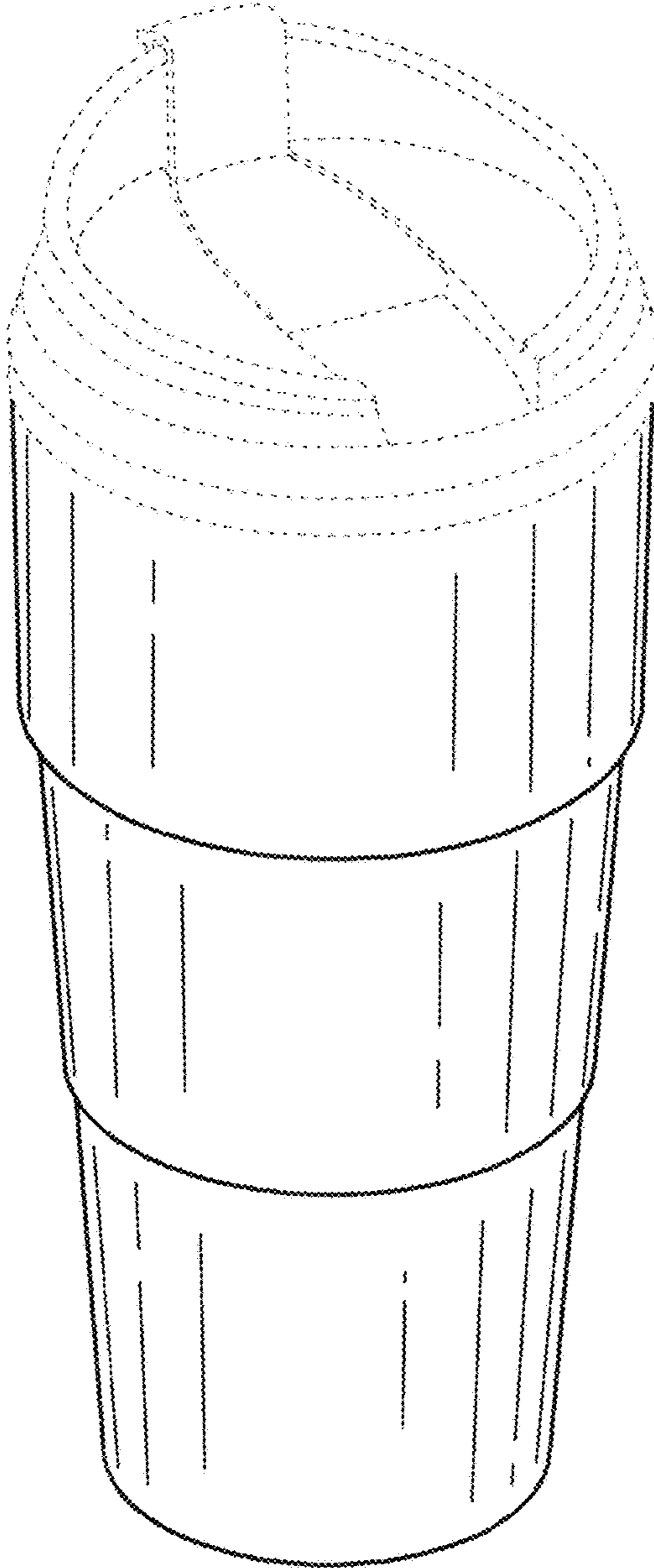


FIG. 1

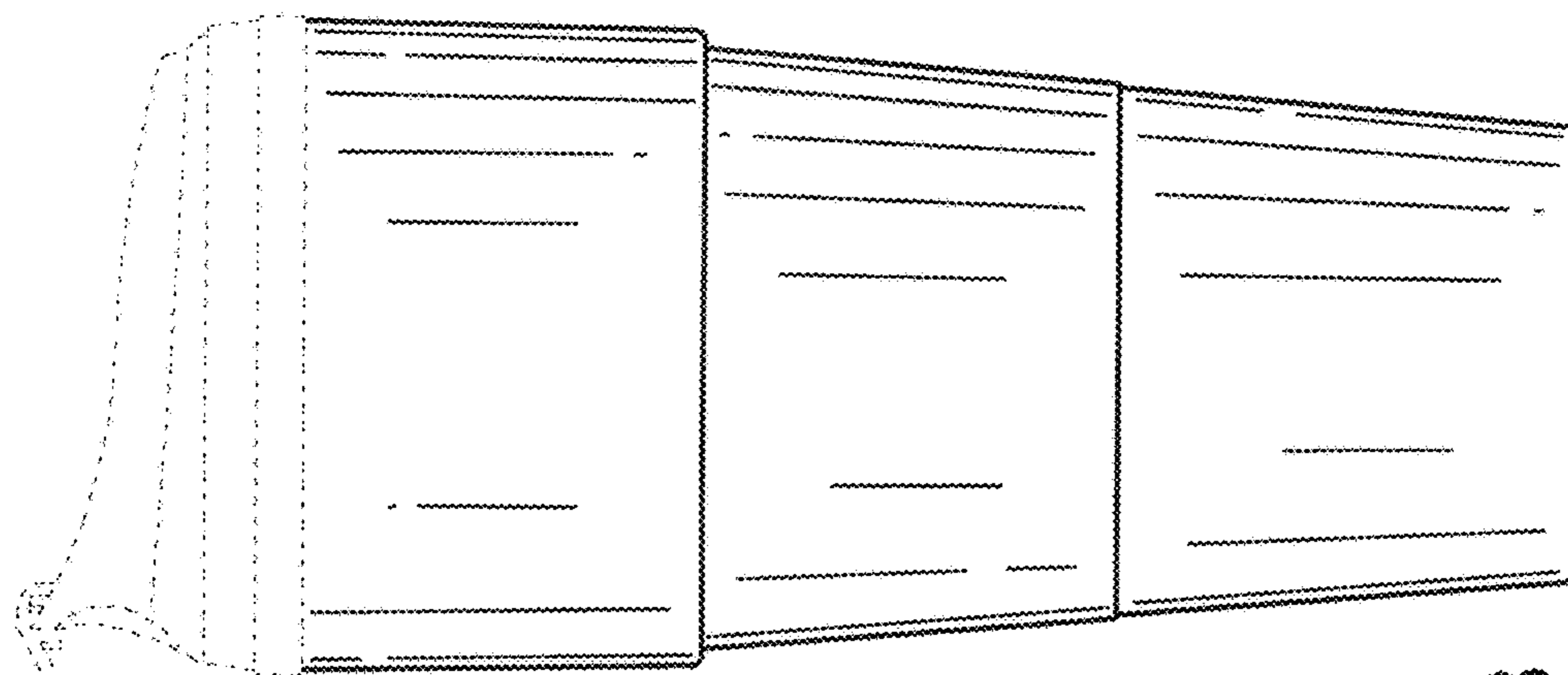


FIG. 3

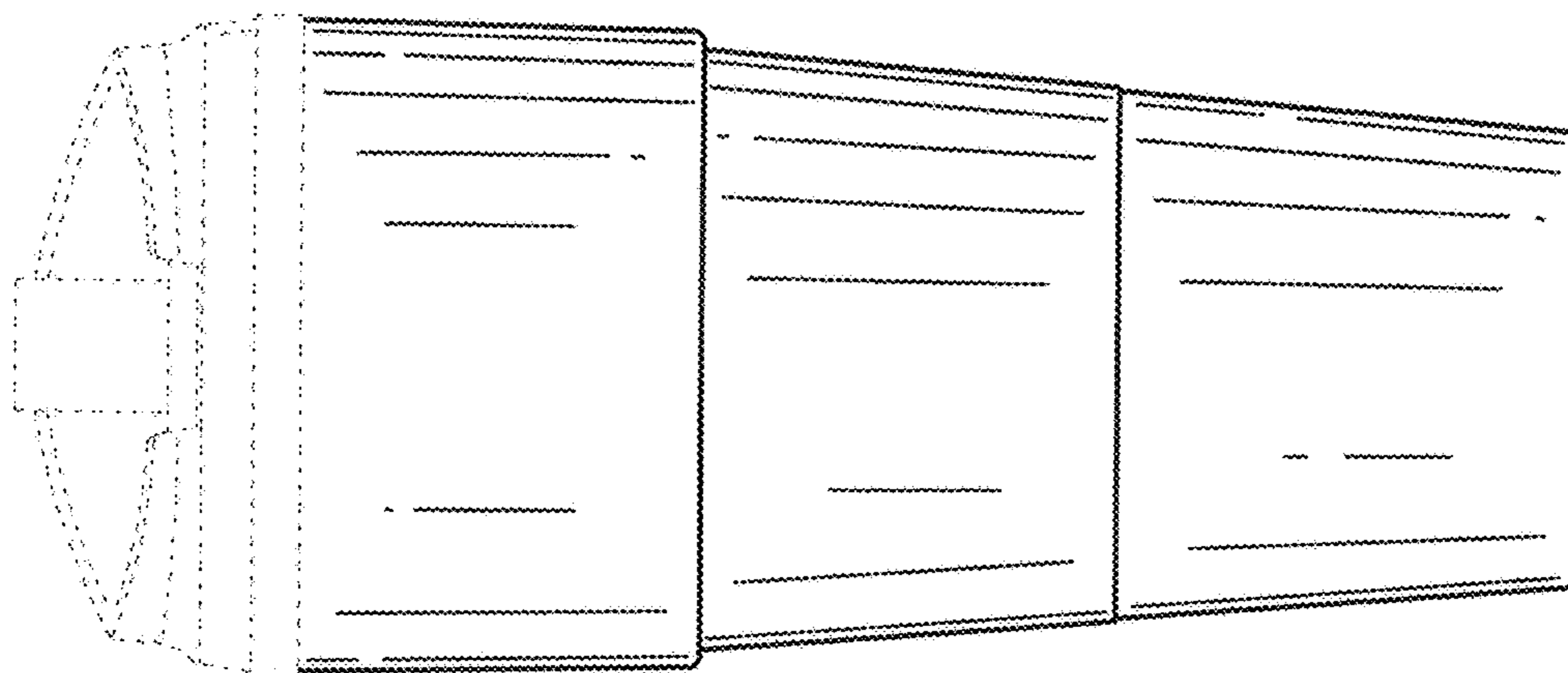


FIG. 2

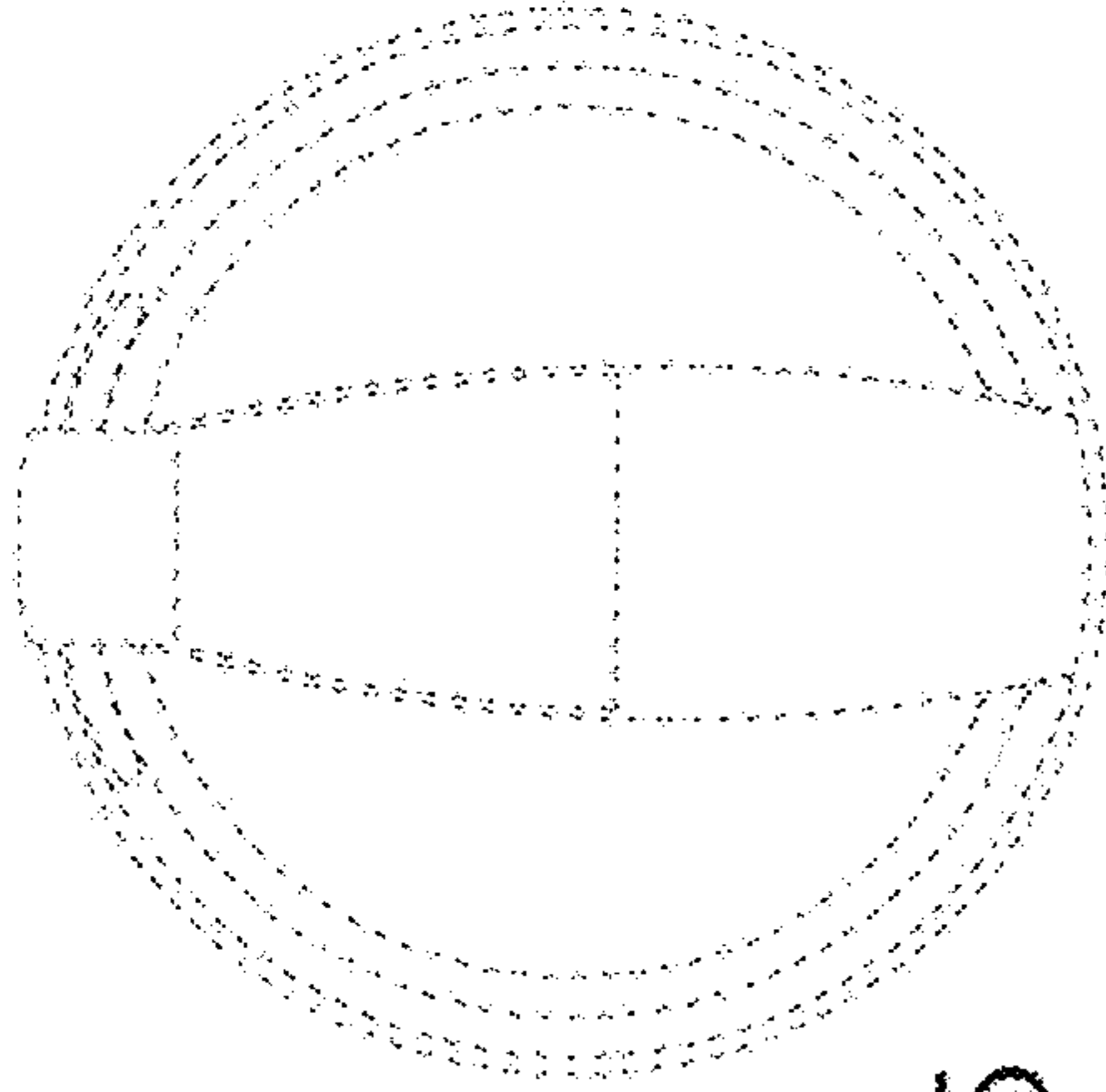


FIG. 5

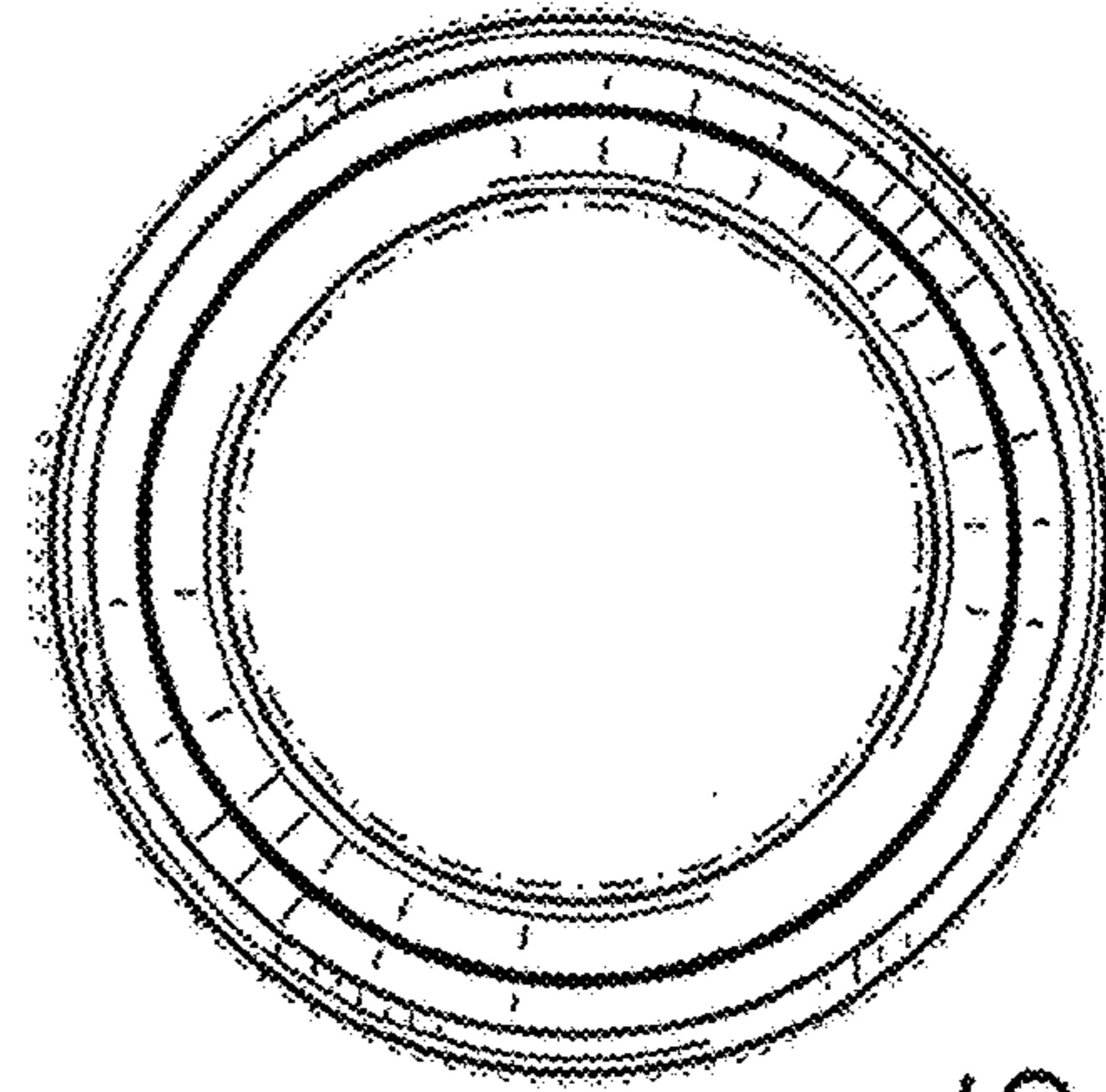


FIG. 6

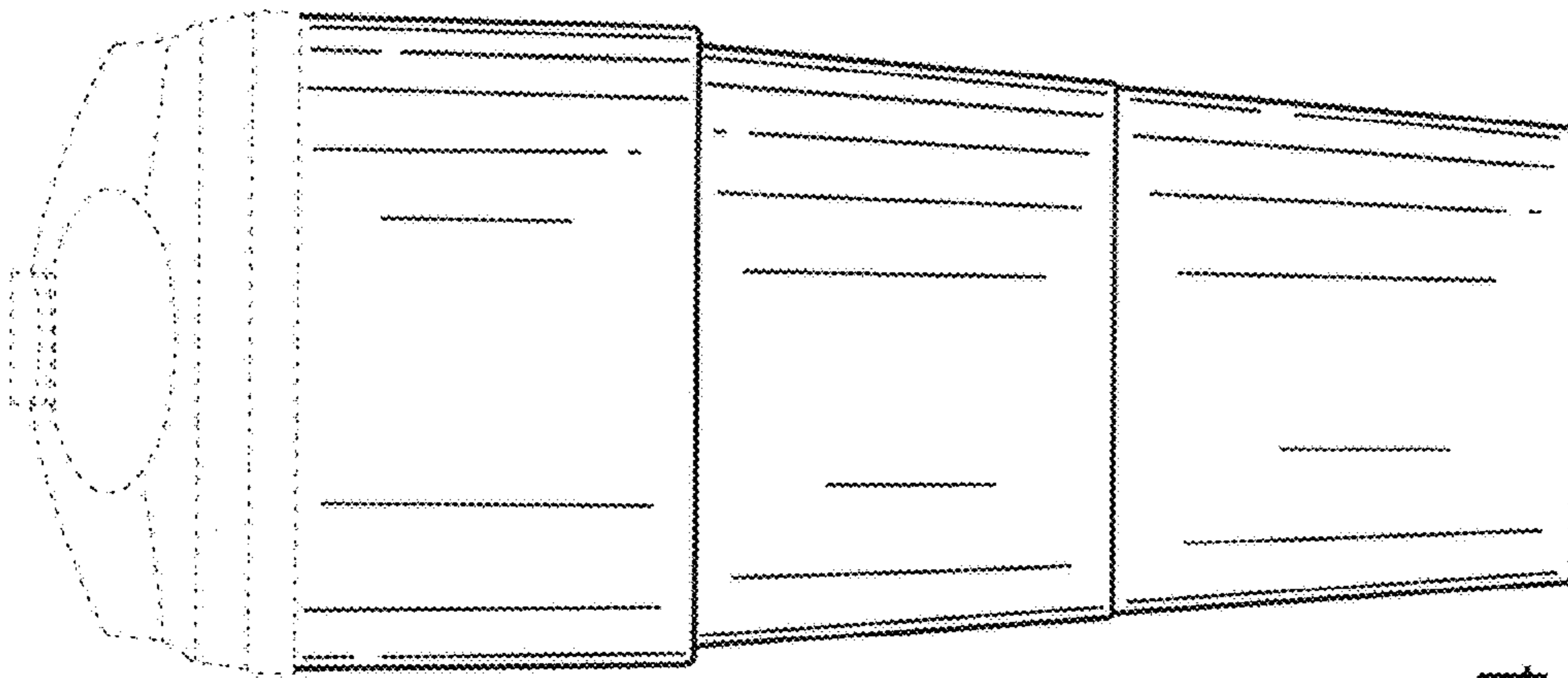


FIG. 4