



US00D747923S

(12) **United States Design Patent**
Cornu et al.

(10) **Patent No.:** **US D747,923 S**
(45) **Date of Patent:** **** Jan. 26, 2016**

(54) **KITCHEN FOOD EXTRUDER**

(71) Applicant: **Dart Industries Inc.**, Orlando, FL (US)

(72) Inventors: **Judicaël Cornu**, Brussels (BE); **Sara L. Delgado Carmona**, Orlando, FL (US)

(73) Assignee: **Dart Industries Inc.**, Orlando, FL (US)

(**) Term: **14 Years**

(21) Appl. No.: **29/496,195**

(22) Filed: **Jul. 10, 2014**

(51) **LOC (10) Cl.** **07-02**

(52) **U.S. Cl.**
USPC **D7/412**; D7/376; D7/378; D7/384

(58) **Field of Classification Search**
USPC D7/372, 376–386, 412–413, 602, 629,
D7/665–666, 669, 679, 693–694;
D13/129; D26/138

CPC A21C 1/02; A21C 1/04; A23N 1/00;
A23N 1/02; A47J 19/027; A47J 43/04;
A47J 43/25; A47J 43/27; A47J 43/042;
A47J 43/044; A47J 43/046; A47J 43/07;
A47J 43/0705; A47J 43/075; A47J 43/0716;
A47J 43/0722; A47J 43/0727; A47J 43/0777;
B01F 3/00; B01F 3/0807; B01F 3/0853;
B01F 13/0059; B01F 13/0064; B02C 1/08;
B02C 2/04; B02C 4/42; B02C 4/142; B02C
4/143; B02C 4/423; B02C 13/1835; B28C
5/10; B28C 5/12; B28C 5/14; B28C 5/16

See application file for complete search history.

(56) **References Cited**

U.S. PATENT DOCUMENTS

4,316,584 A * 2/1982 Valbona A47J 43/046
222/185.1
D287,327 S * 12/1986 Cavalli D7/384

(Continued)

OTHER PUBLICATIONS

Millecroquettes 3 Croquette Maker; EMGA International B.V.; Jan. 1, 2011.

Primary Examiner — Ricky Pham

(74) *Attorney, Agent, or Firm* — Taylor J. Rose

(57) **CLAIM**

The ornamental design for a kitchen food extruder, as shown and described.

DESCRIPTION

This application is related to co-pending application Ser. No. 14/327,970, entitled “Food Maker”.

FIG. 1 is a top, front and left side perspective view of a first embodiment of a kitchen food extruder showing our new design;

FIG. 2 is a bottom, rear and right side perspective view thereof;

FIG. 3 is a top plan view thereof;

FIG. 4 is a bottom plan view thereof;

FIG. 5 is a front elevation view thereof;

FIG. 6 is a rear elevation view thereof;

FIG. 7 is a right side elevation view, the left side elevation being a mirror image thereof;

FIG. 8 is a cross-sectional view taken along line 8-8 of FIG. 5; FIG. 9 is an exploded view of the kitchen food extruder shown in FIG. 1;

FIG. 10 is a top, front and left side perspective view of a second embodiment of a kitchen food extruder showing our new design;

FIG. 11 is a bottom, rear and right side perspective view thereof;

FIG. 12 is a top plan view thereof;

FIG. 13 is a bottom plan view thereof;

FIG. 14 is a front elevation view thereof;

FIG. 15 is a rear elevation view thereof;

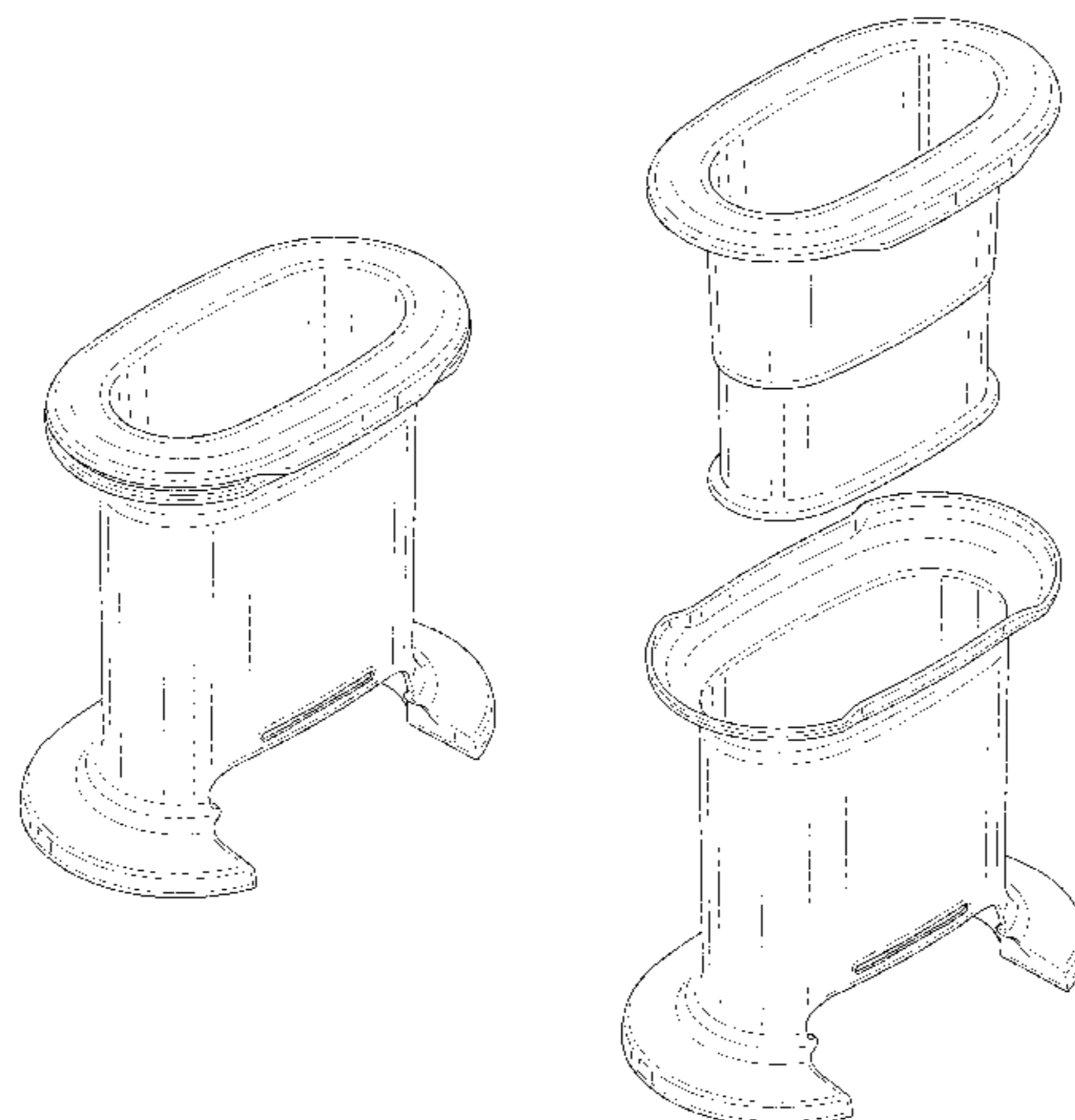
FIG. 16 is a right side elevation view, the left side elevation being a mirror image thereof;

FIG. 17 is a cross-sectional view taken along line 17-17 of FIG. 14; and,

FIG. 18 is an exploded view of the kitchen food extruder shown in FIG. 9 with the nozzles in phantom lines.

The broken lines shown in the drawings are for illustrative purposes only and form no part of the claimed design.

1 Claim, 10 Drawing Sheets



(56)

References Cited

U.S. PATENT DOCUMENTS

D326,843 S * 6/1992 Sklar D13/129
D341,903 S * 11/1993 Sklar D13/129
5,257,575 A * 11/1993 Harrison A47J 19/027
995/511
5,355,784 A * 10/1994 Franklin A47J 19/027
241/199.12
5,421,248 A * 6/1995 Hsu A47J 19/027
241/282.1

5,921,485 A * 7/1999 Plavcan A47J 43/07
241/282.2
D502,047 S * 2/2005 Ledingham D7/384
6,907,819 B2 * 6/2005 Kernan A47J 43/0777
241/36
7,252,252 B2 * 8/2007 Mauch A47J 43/0716
241/282.1
D637,870 S * 5/2011 Bock D7/378
2014/0263783 A1 * 9/2014 Benoit A47J 43/0705
241/100

* cited by examiner

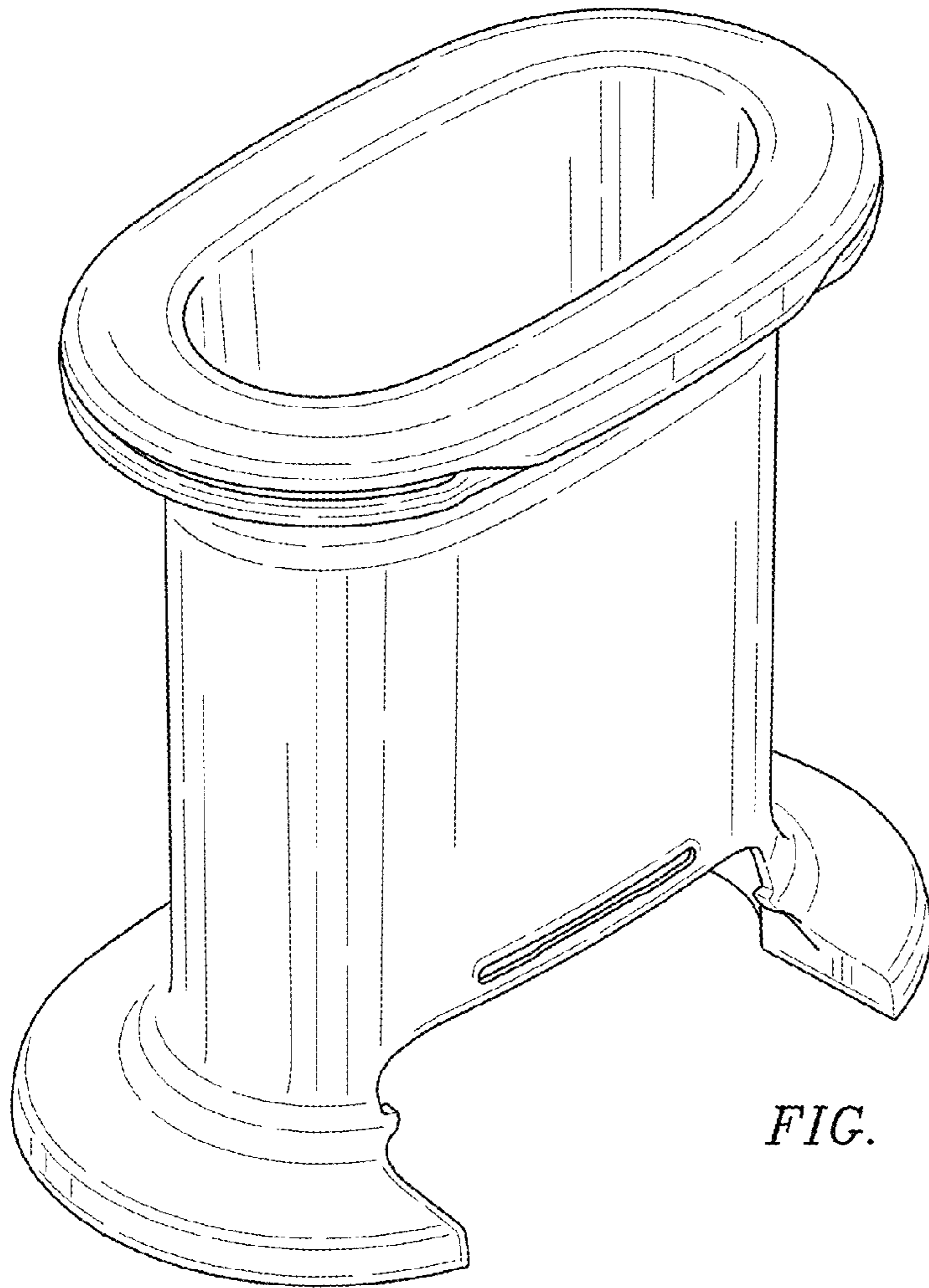


FIG. 1

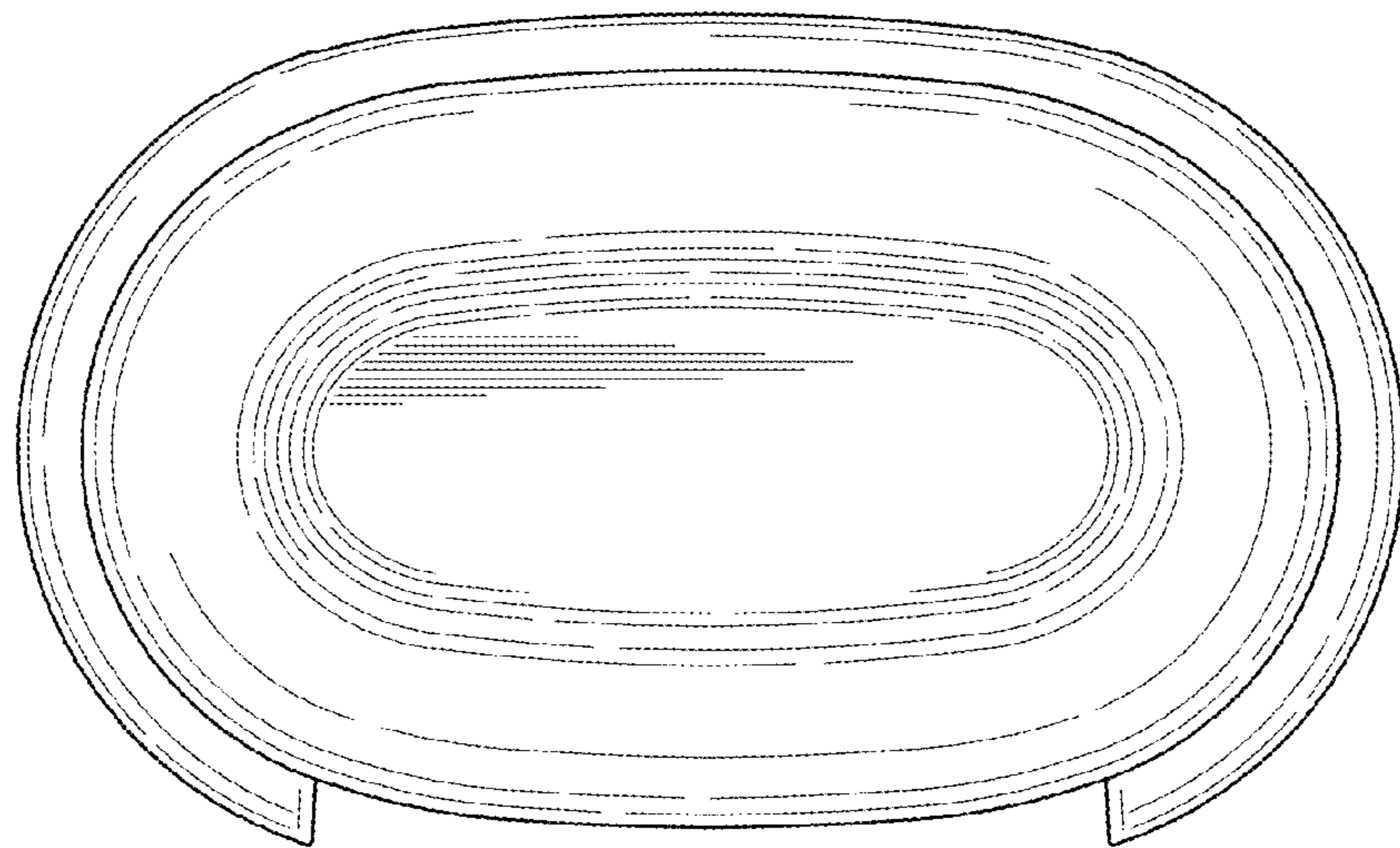


FIG. 3

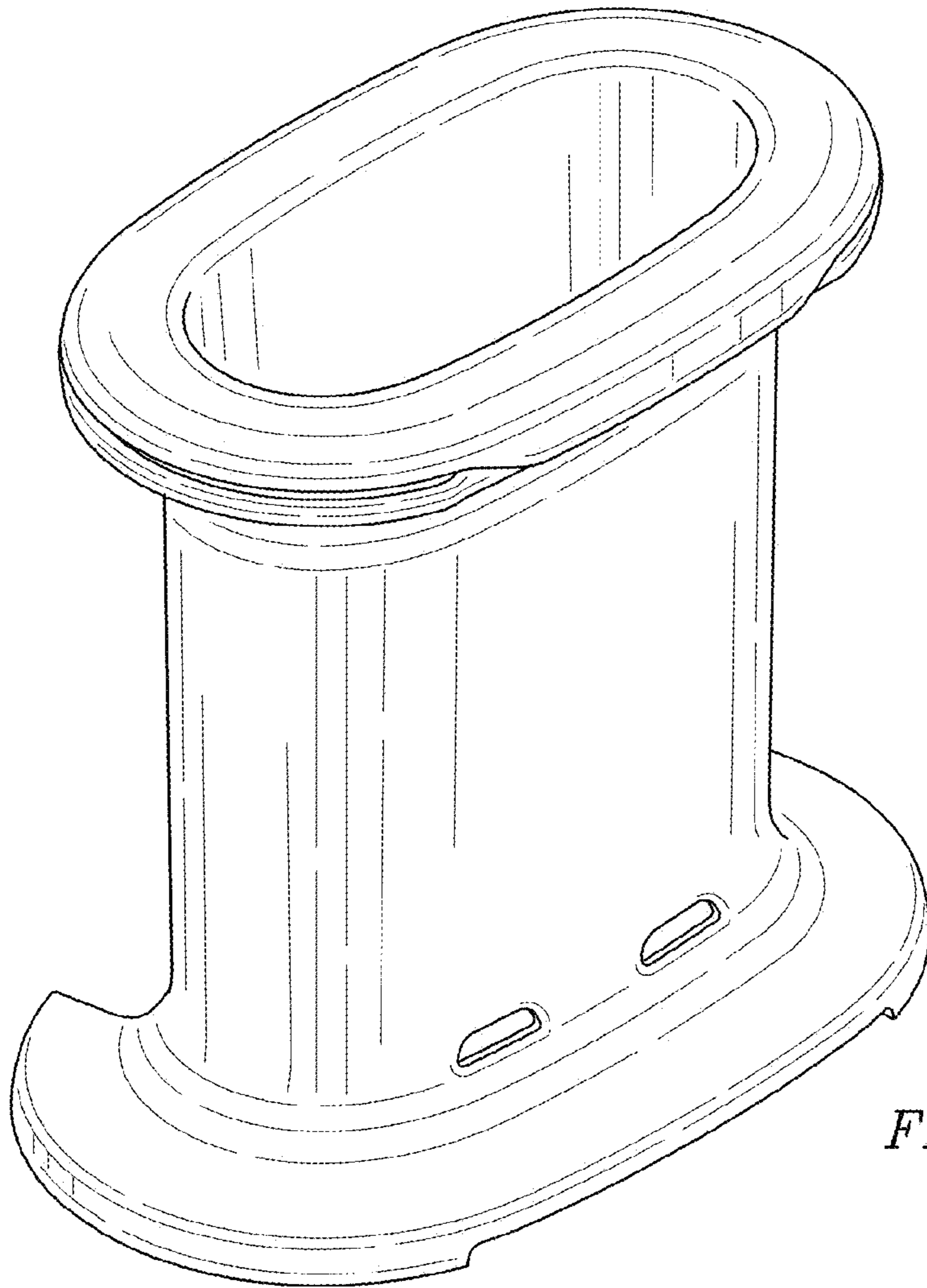


FIG. 2

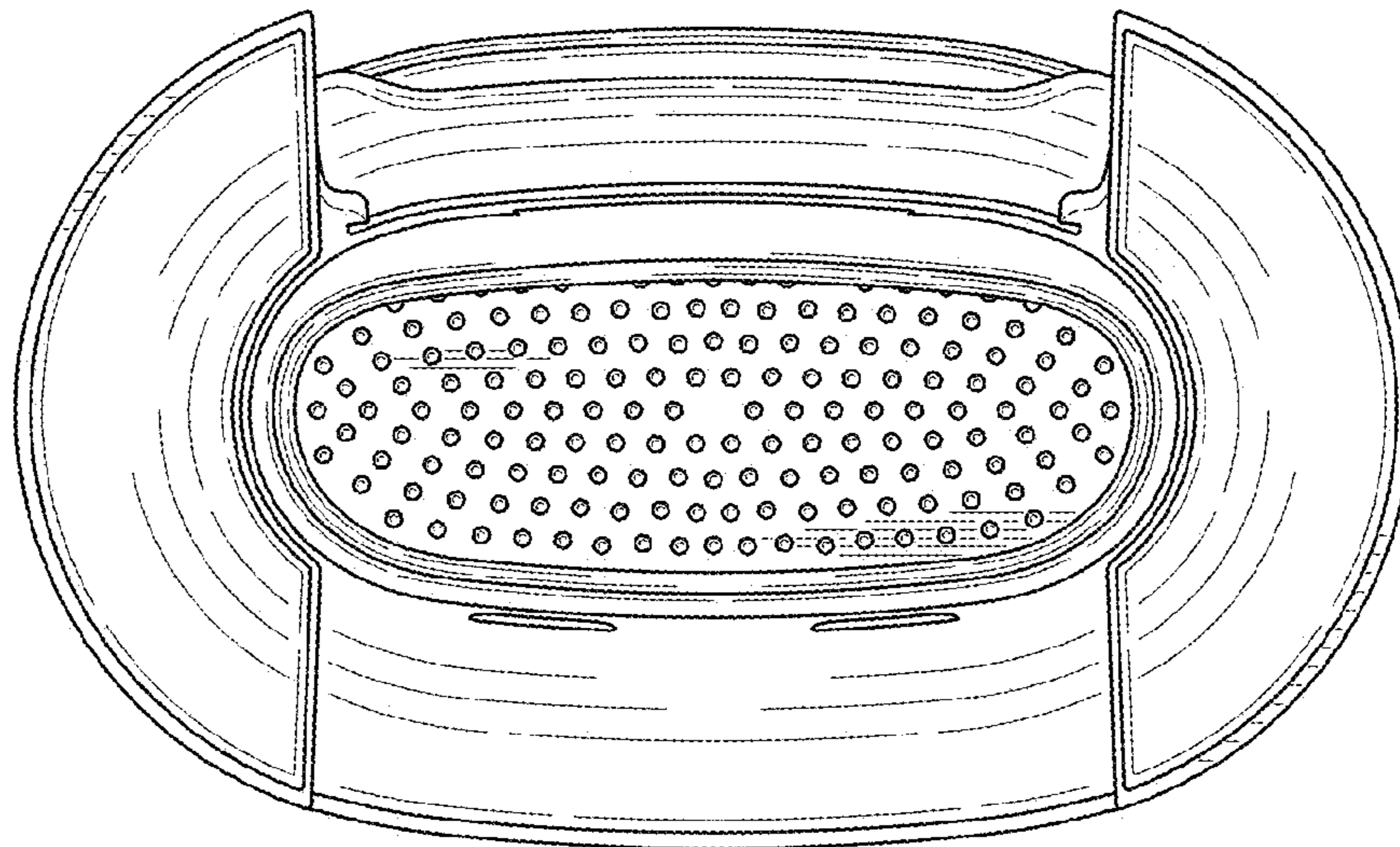


FIG. 4

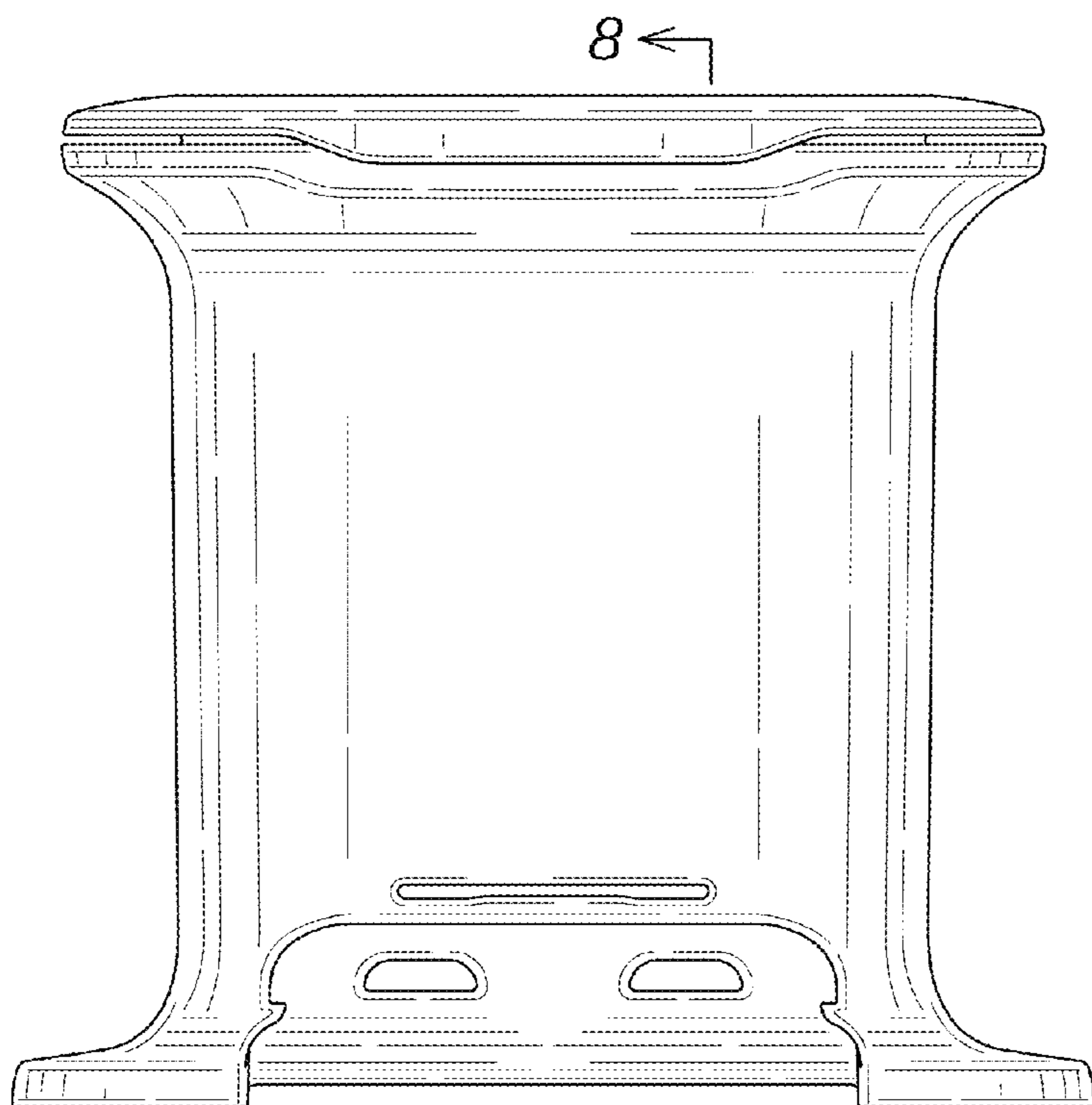


FIG. 5

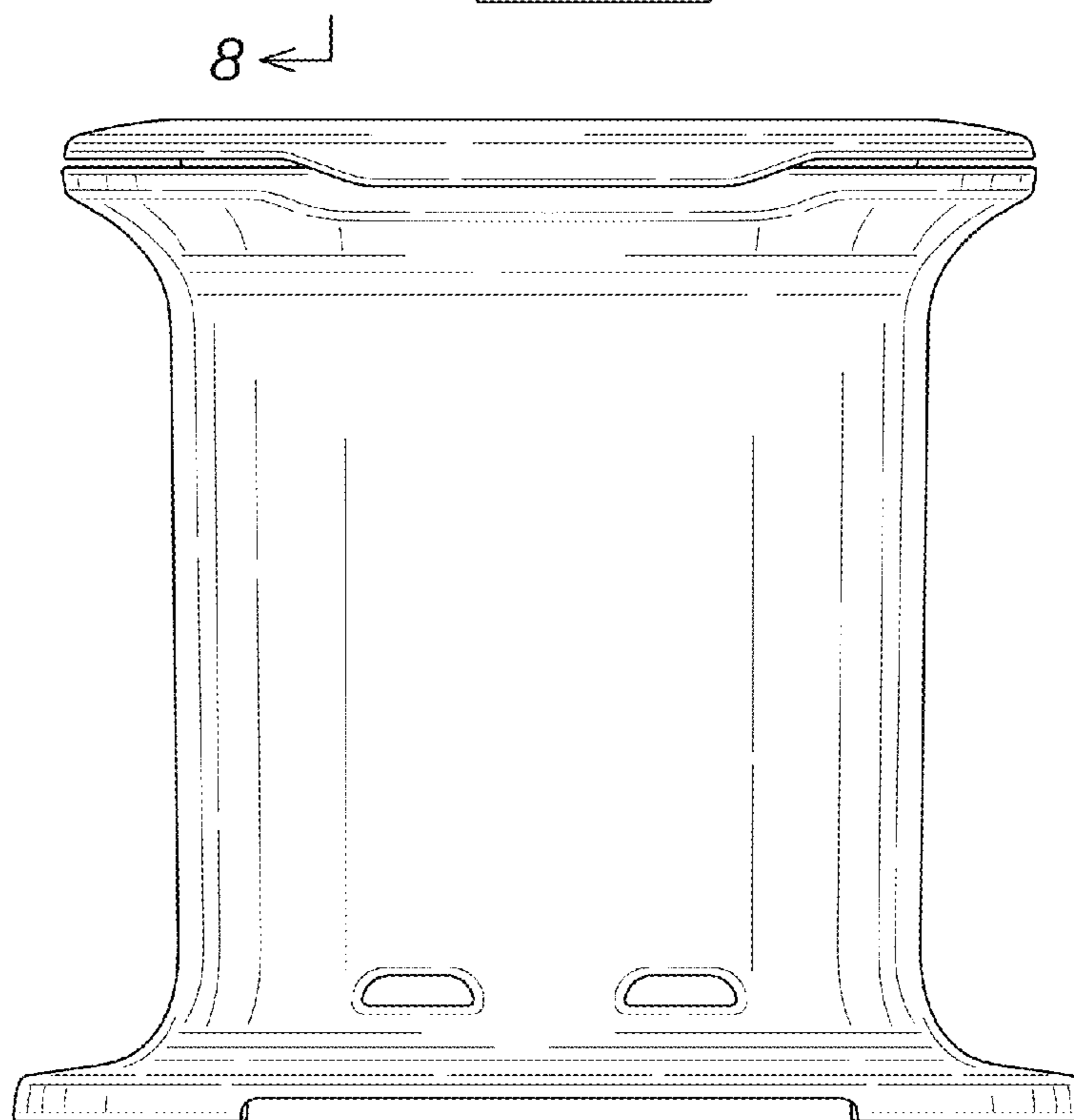


FIG. 6

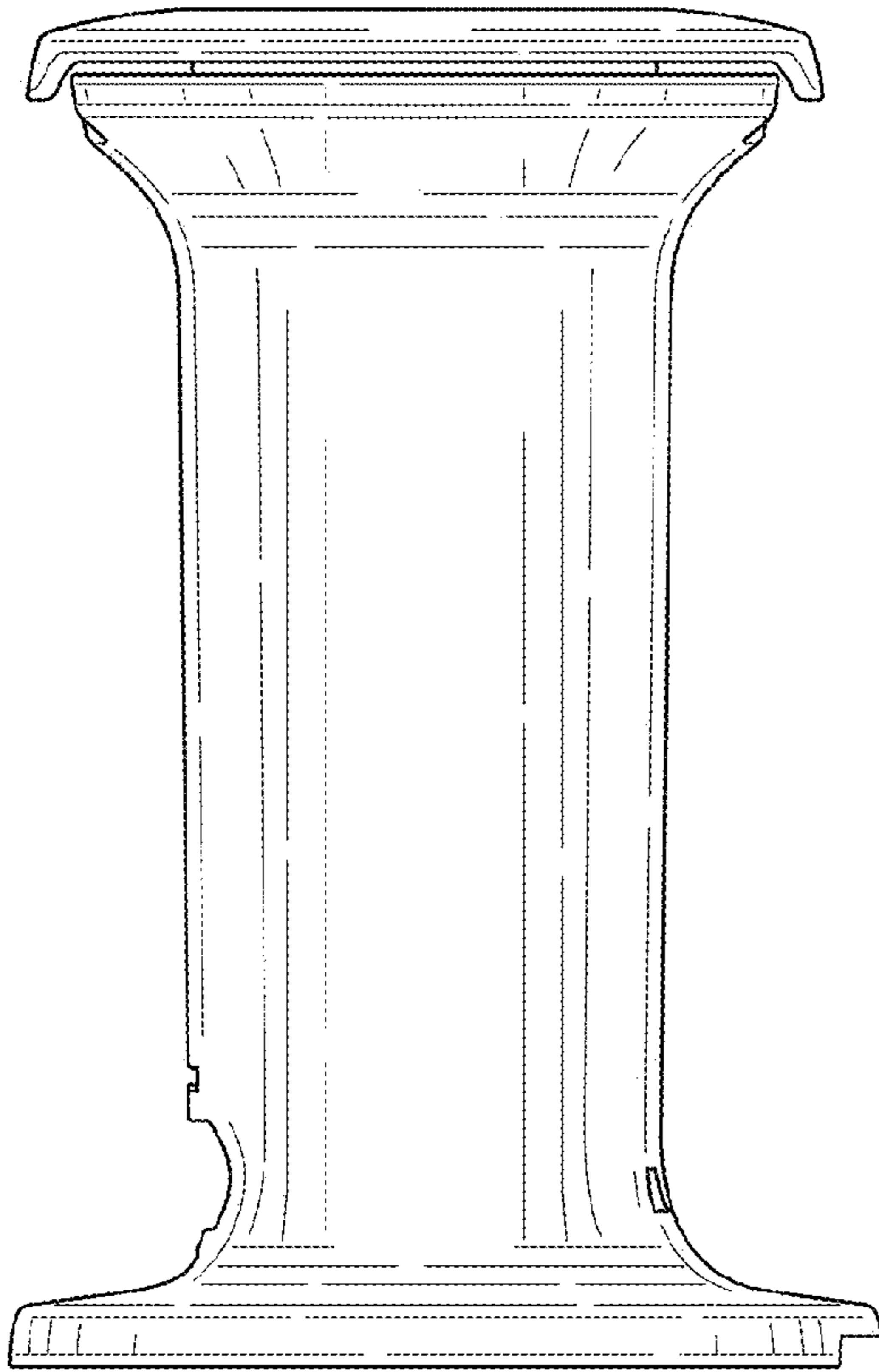


FIG. 7

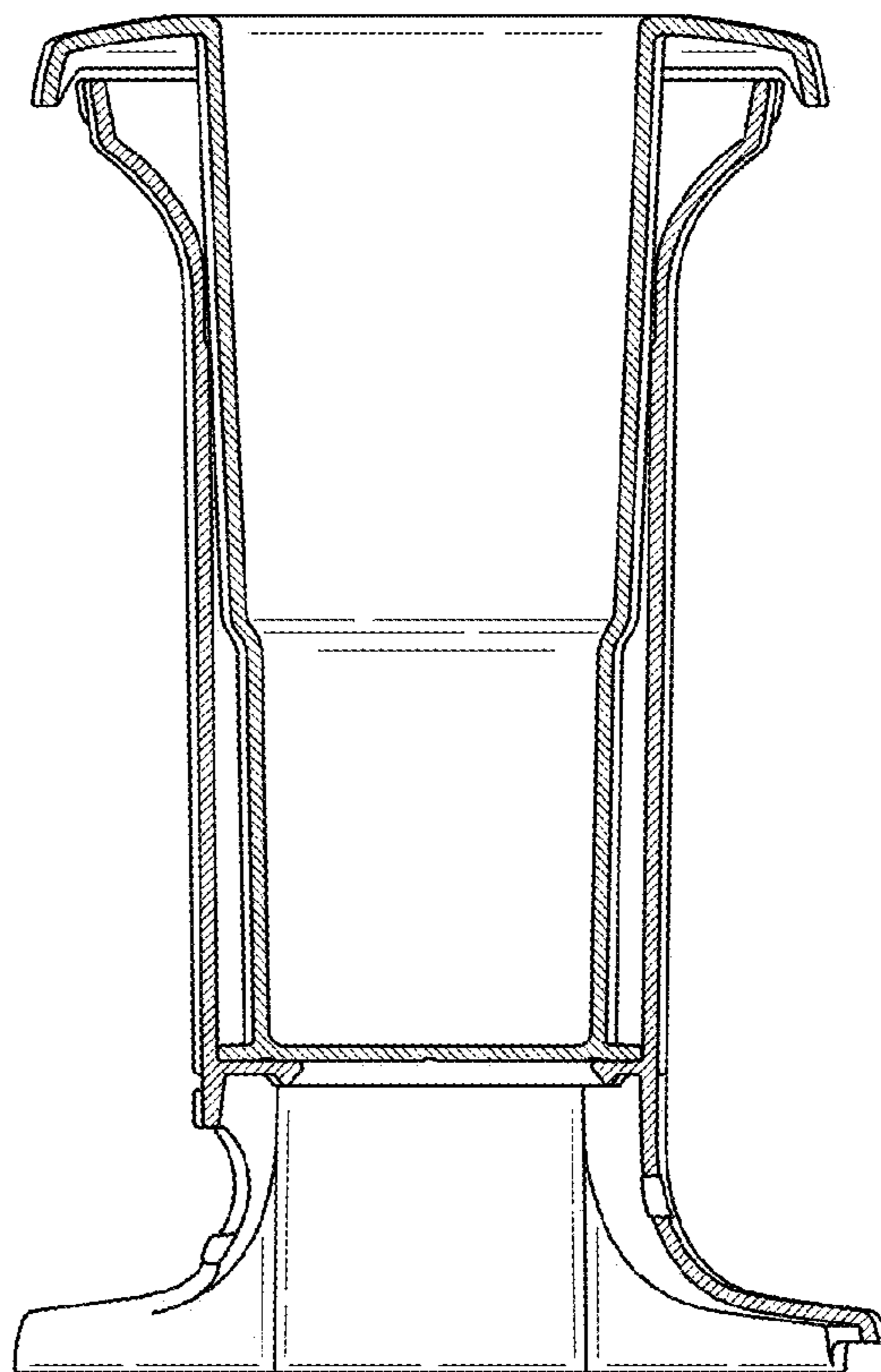


FIG. 8

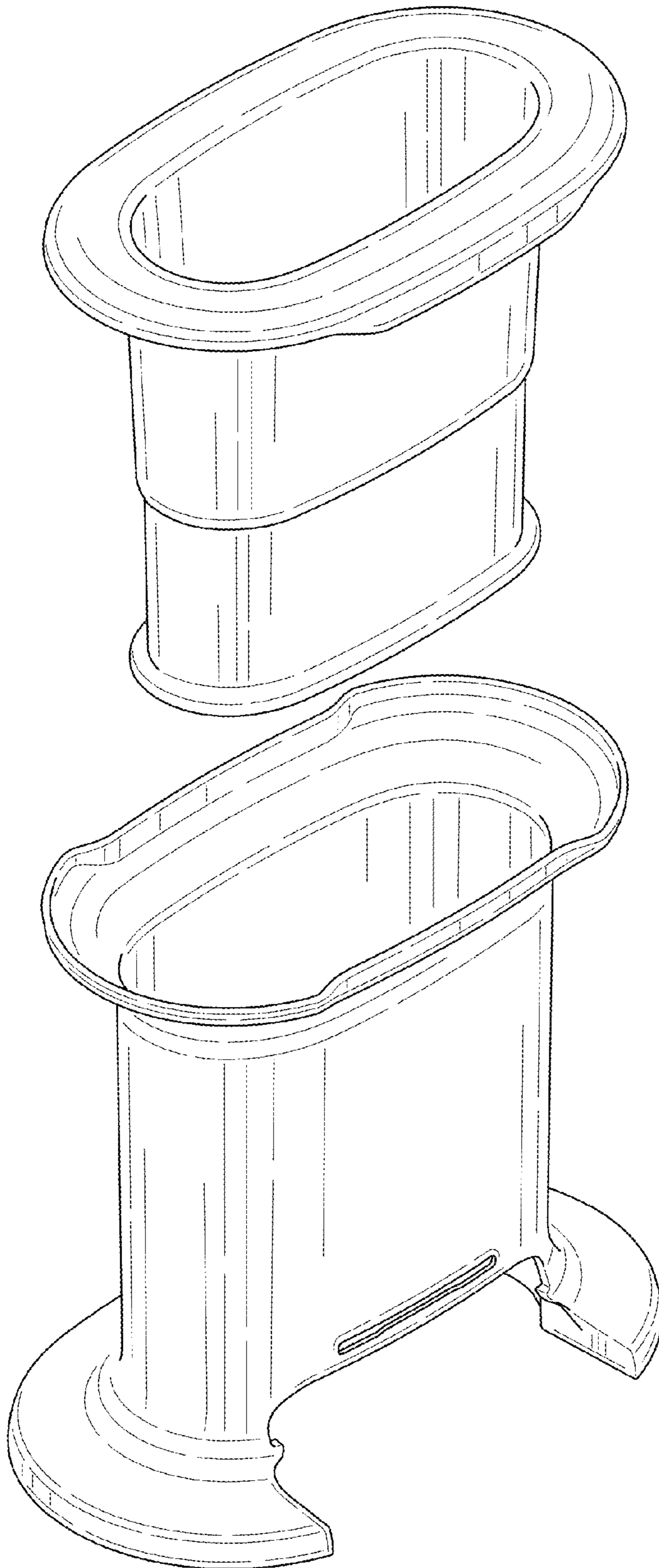


FIG. 9

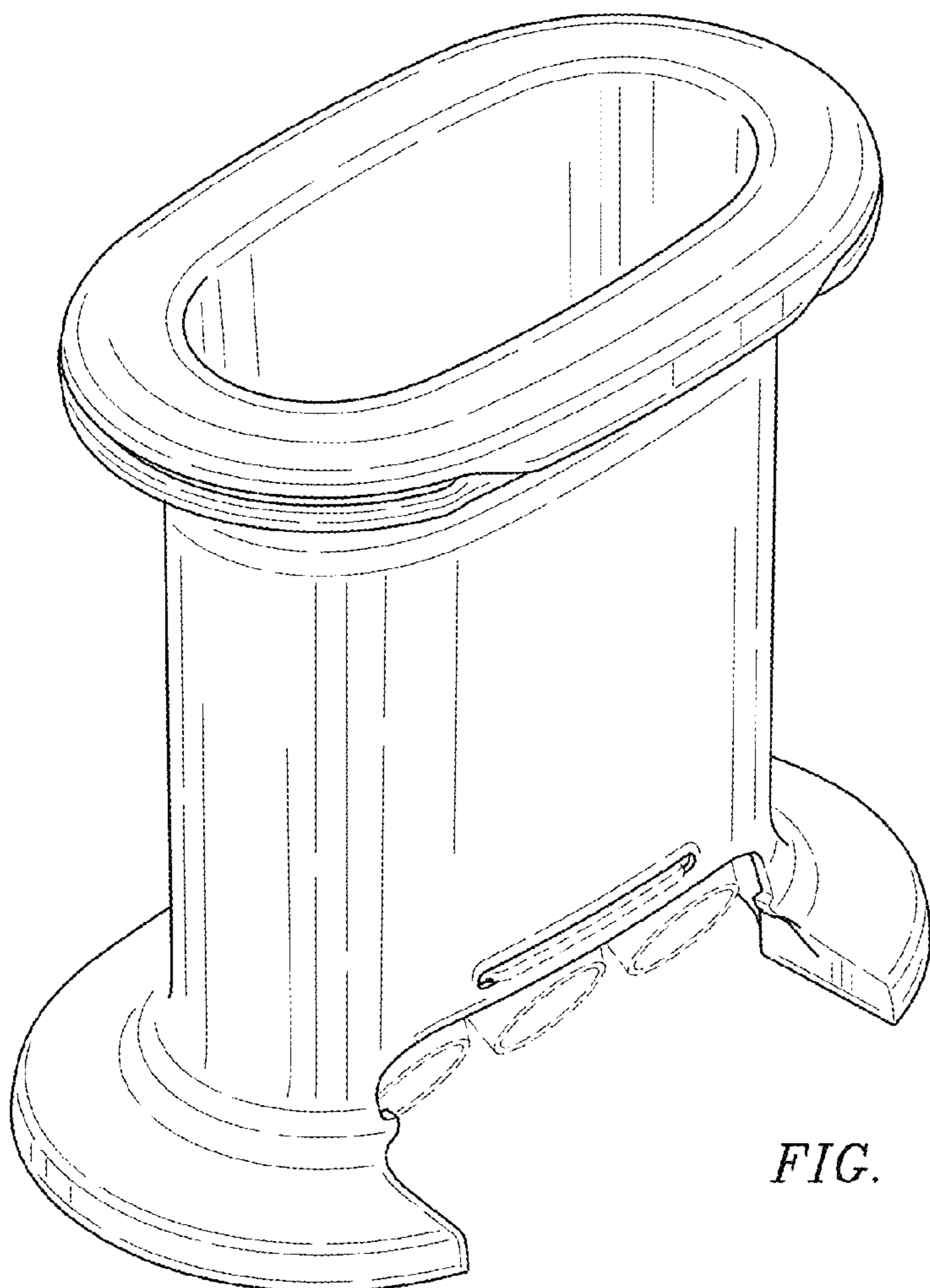


FIG. 10

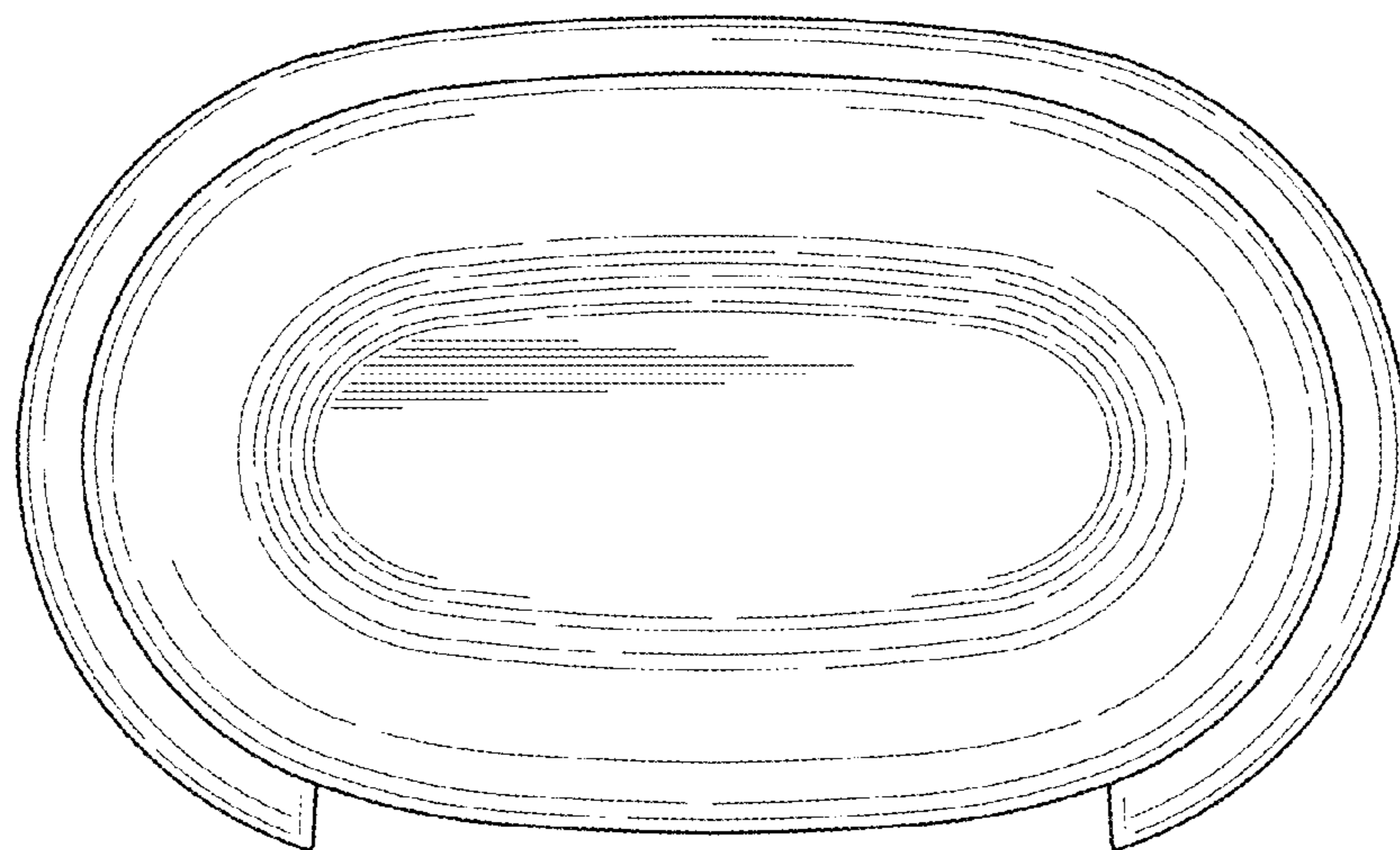


FIG. 12

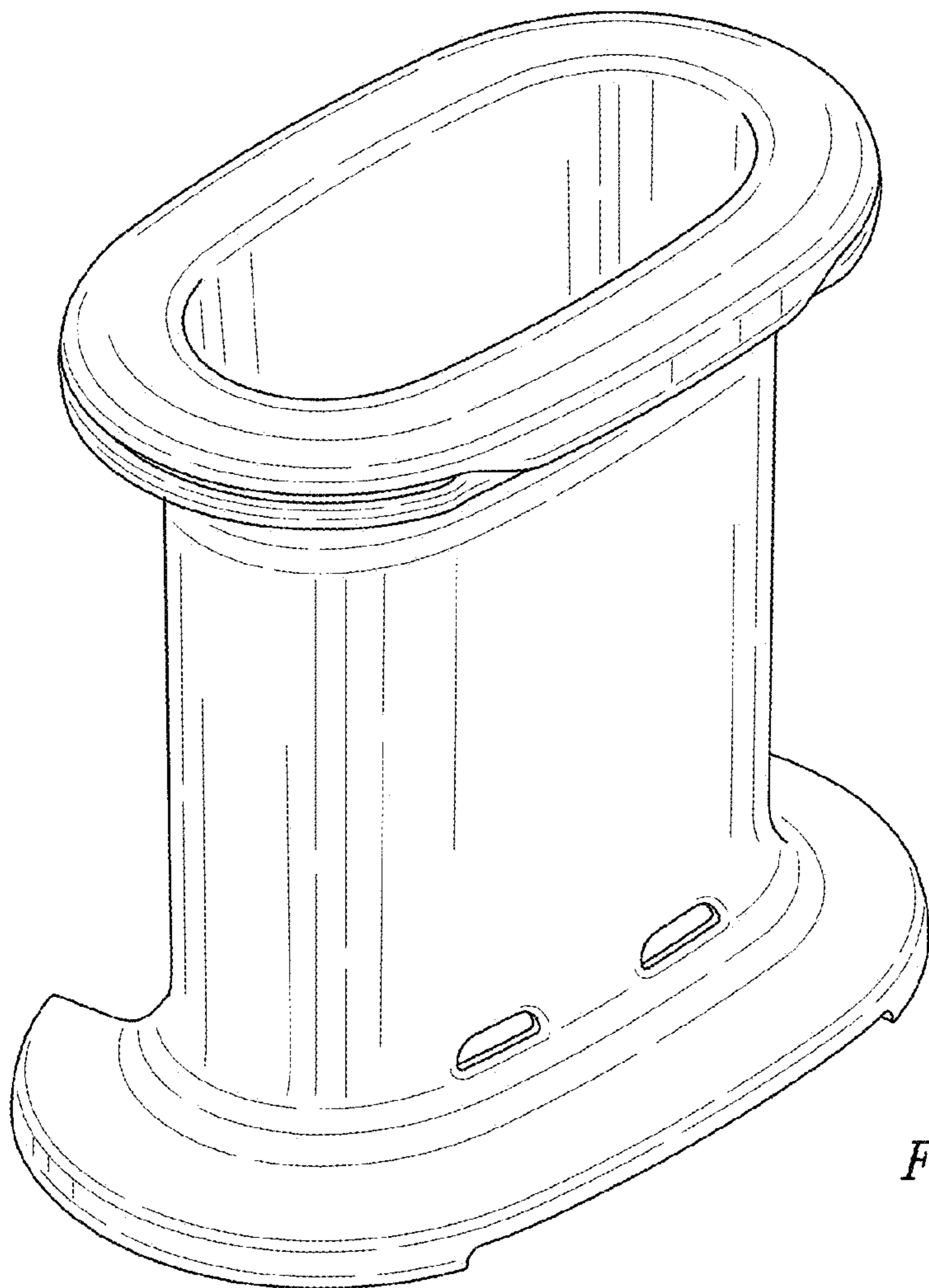


FIG. 11

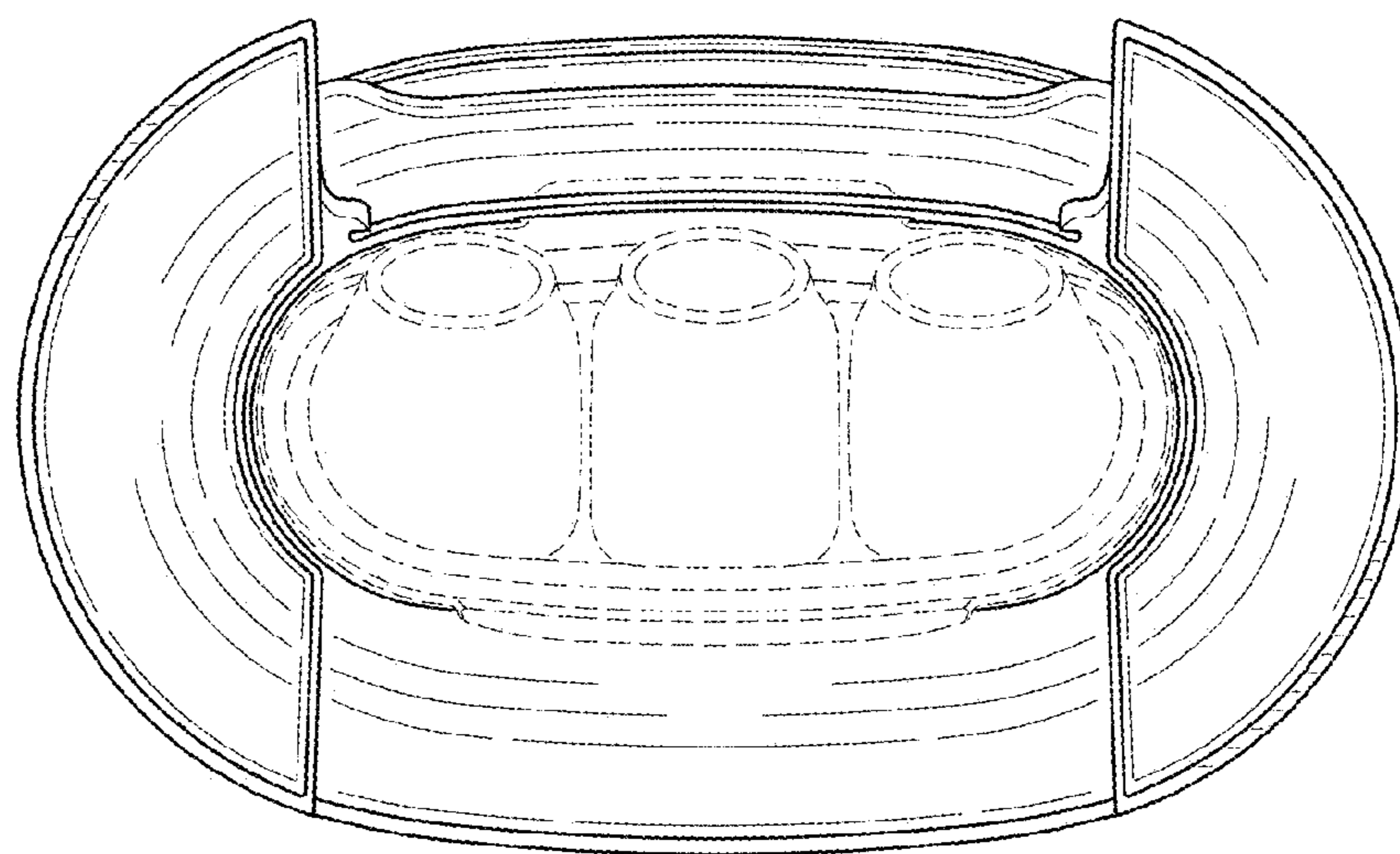


FIG. 13

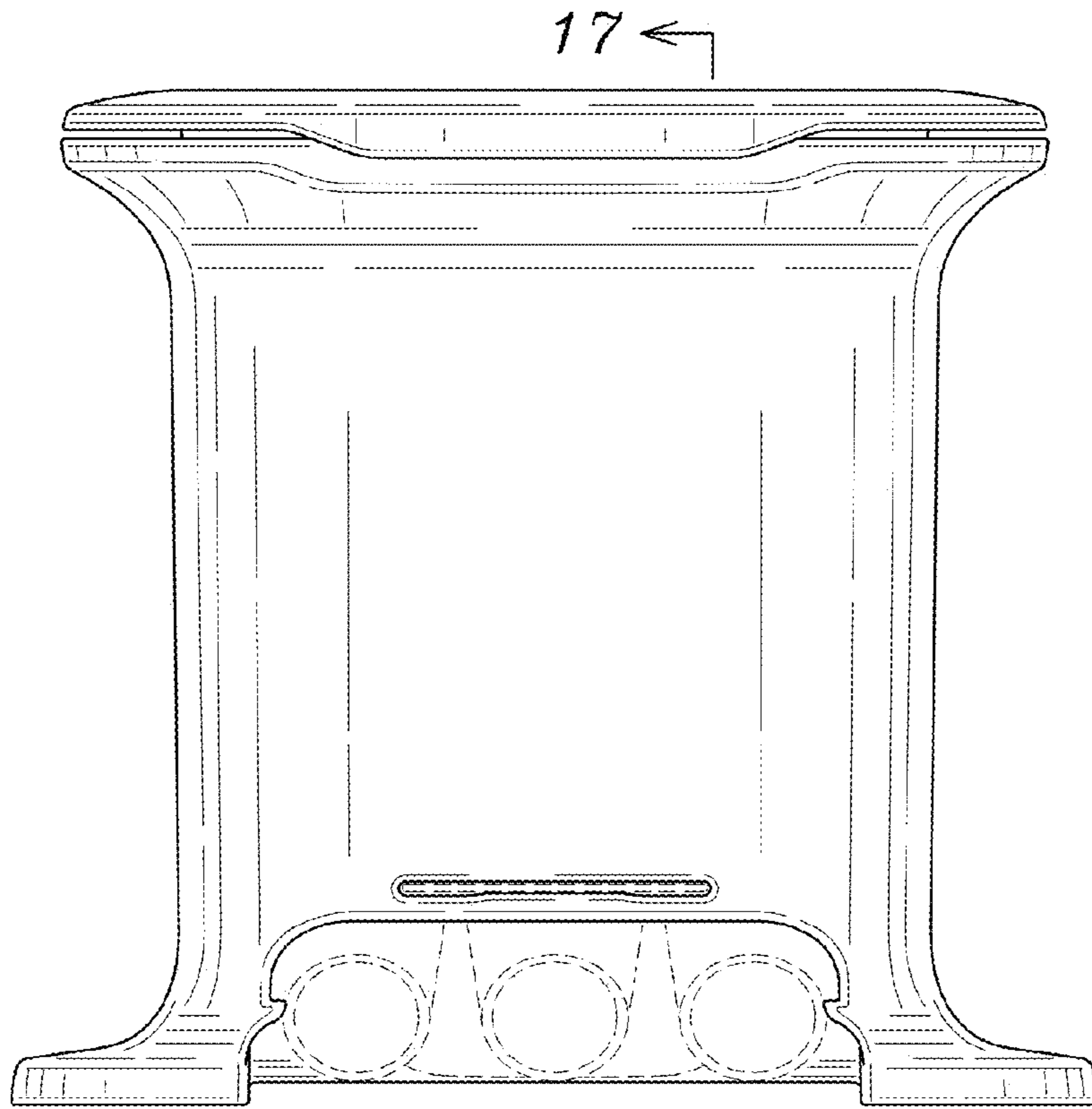


FIG. 14

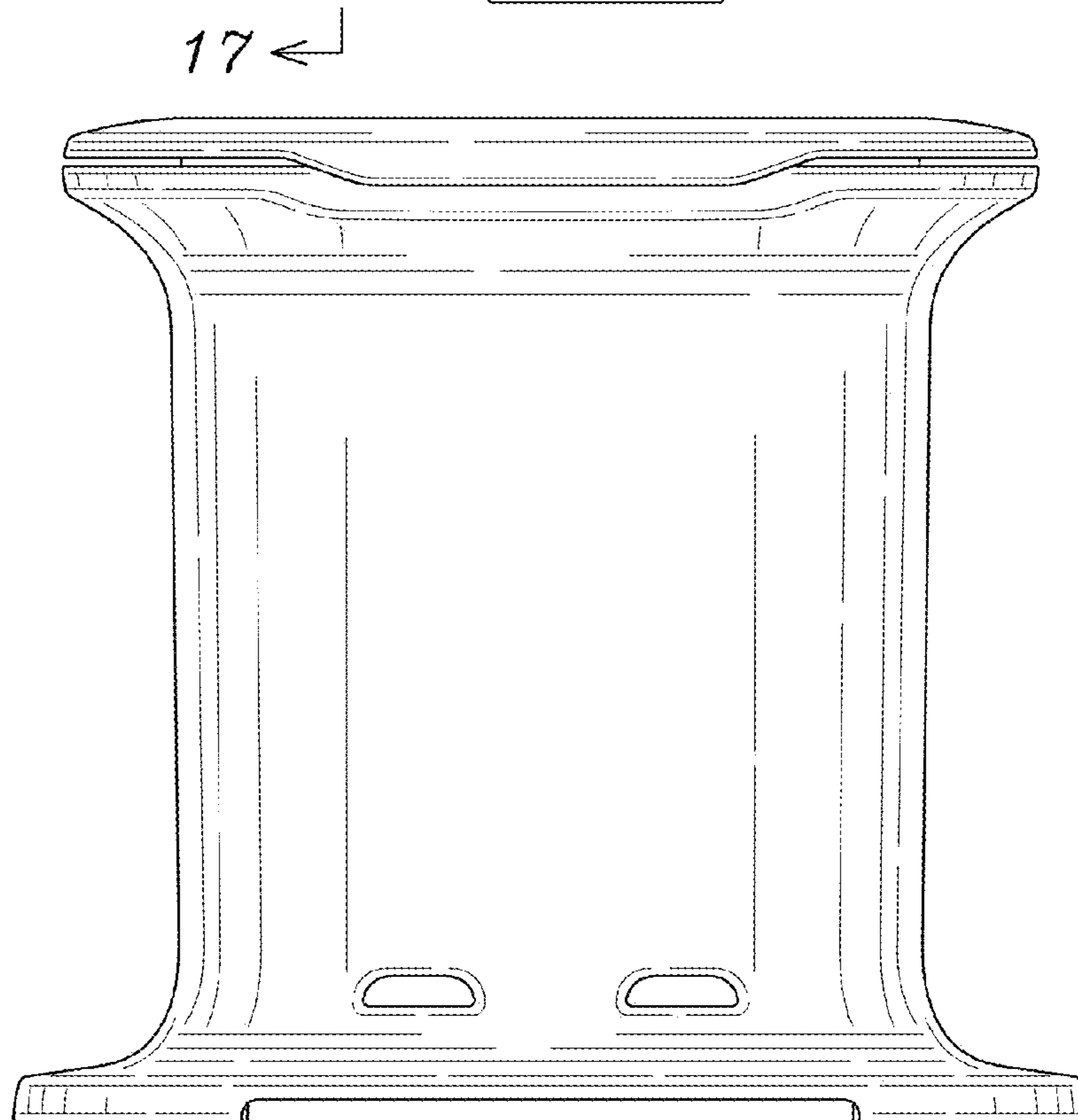


FIG. 15

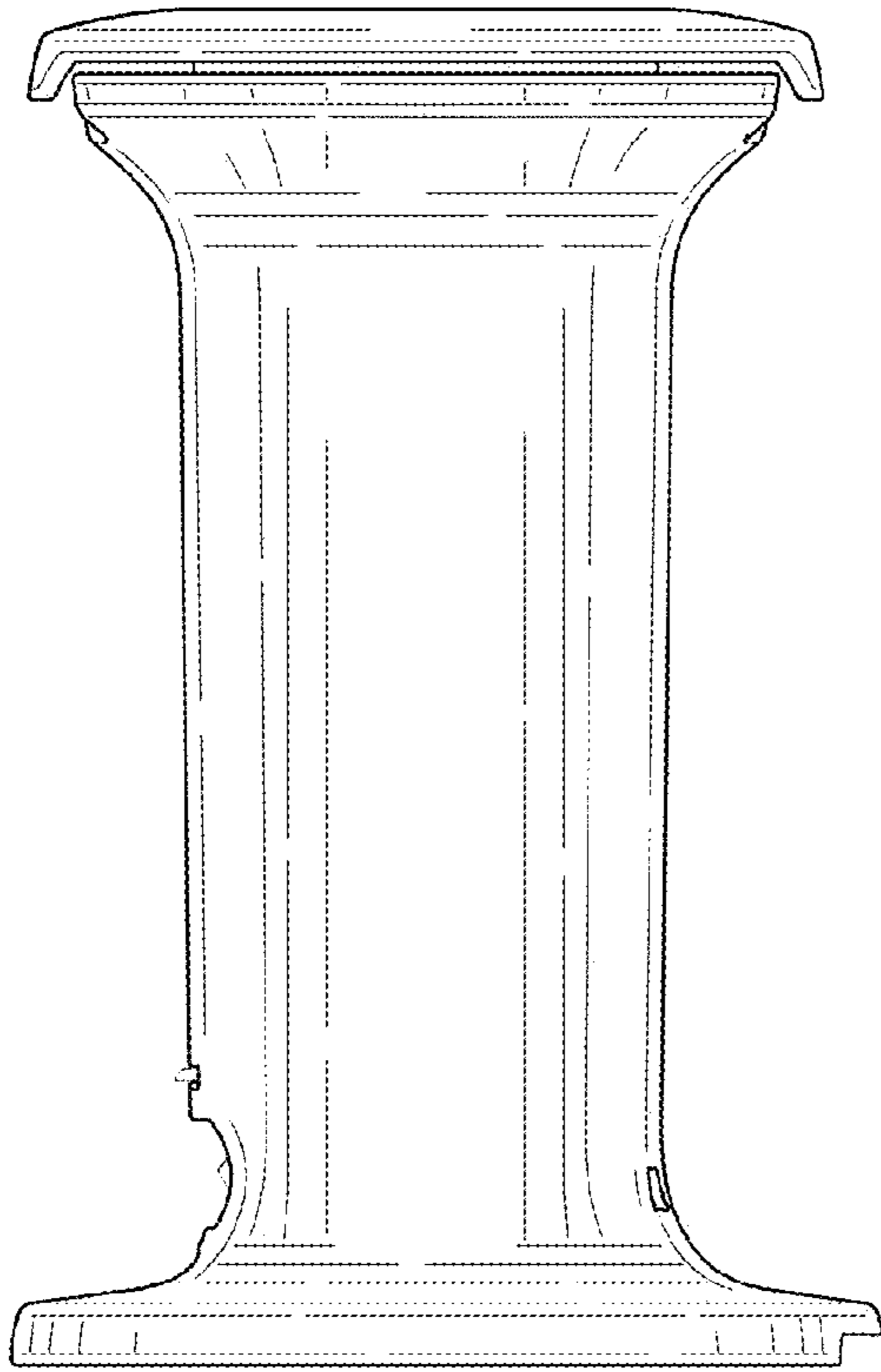


FIG. 16

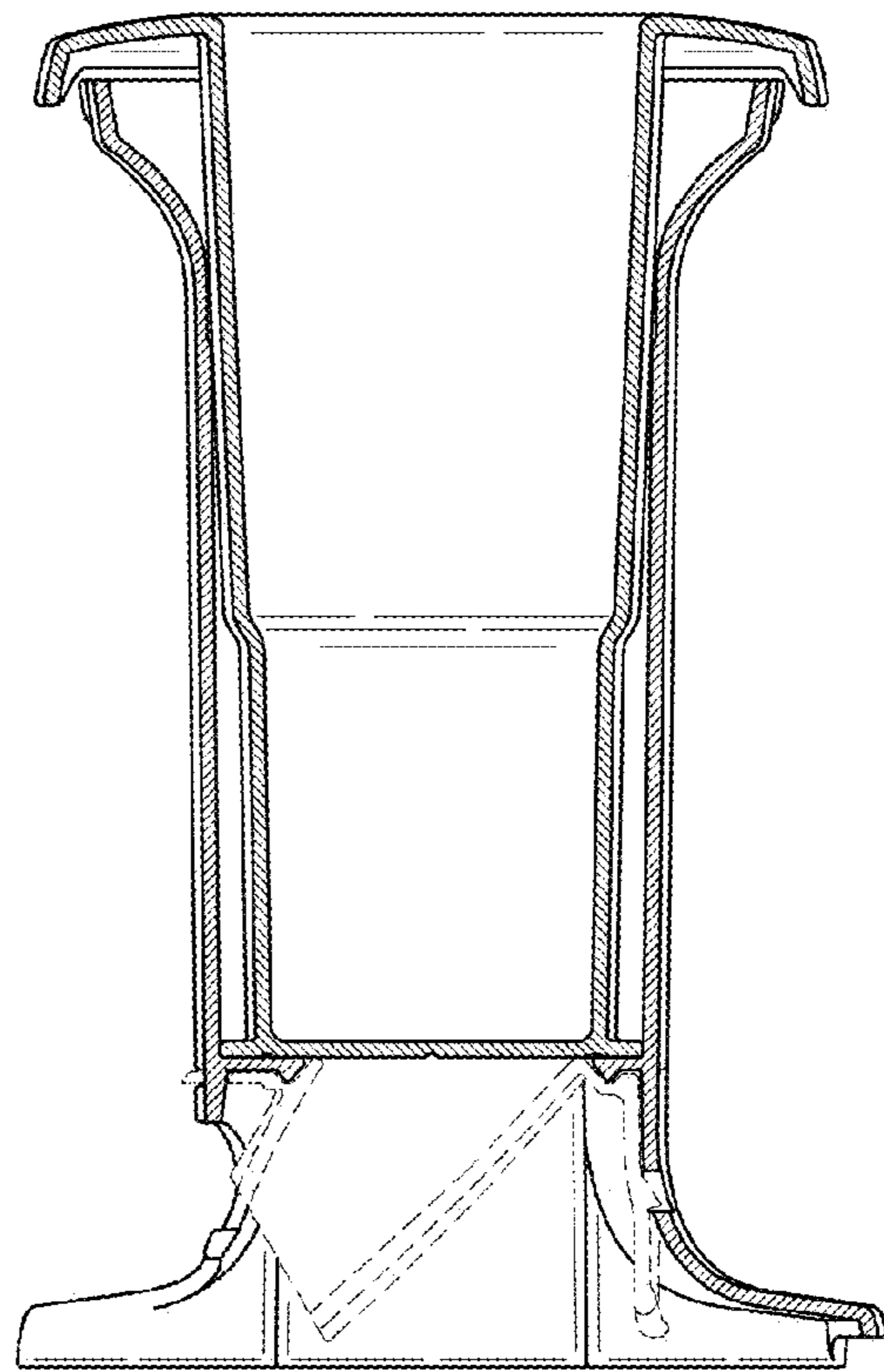


FIG. 17

