



US00D747922S

(12) **United States Design Patent**  
**Borovicka et al.**

(10) **Patent No.:** **US D747,922 S**  
(45) **Date of Patent:** **\*\* Jan. 26, 2016**

- (54) **BARBECUE SMOKER BOX**
- (71) Applicant: **Charcoal Companion Incorporated**,  
Berkeley, CA (US)
- (72) Inventors: **Cory Thomas Borovicka**, Oakland, CA  
(US); **Kwame Phillips-Solomon**,  
Emeryville, CA (US)
- (73) Assignee: **Charcoal Companion Incorporated**,  
Berkeley, CA (US)
- (\*\*) Term: **14 Years**
- (21) Appl. No.: **29/471,218**
- (22) Filed: **Oct. 29, 2013**
- (51) **LOC (10) Cl.** ..... **07-02**
- (52) **U.S. Cl.**  
USPC ..... **D7/402; D7/417**
- (58) **Field of Classification Search**  
USPC ..... D7/332, 334–337, 402–405, 416–417  
CPC ..... A47J 37/0704; A47J 37/0763; A47J  
37/0745; A47J 37/0713; A23B 4/052; F24C  
3/14; F24C 3/027; F24B 1/205  
See application file for complete search history.

D651,457	S	*	1/2012	Borovicka et al.	.....	D7/402
D679,133	S	*	4/2013	Borovicka et al.	.....	D7/402
2008/0257174	A1	*	10/2008	Turner	.....	99/516
2010/0218691	A1	*	9/2010	Adams et al.	.....	99/482
2013/0011535	A1	*	1/2013	Mafi	.....	426/314
2013/0213243	A1	*	8/2013	Borovicka et al.	.....	99/482

\* cited by examiner

*Primary Examiner* — Ruth McInroy

(74) *Attorney, Agent, or Firm* — Beeson Skinner Beverly, LLP

(57) **CLAIM**

The ornamental design for a barbecue smoker box, as shown and described.

**DESCRIPTION**

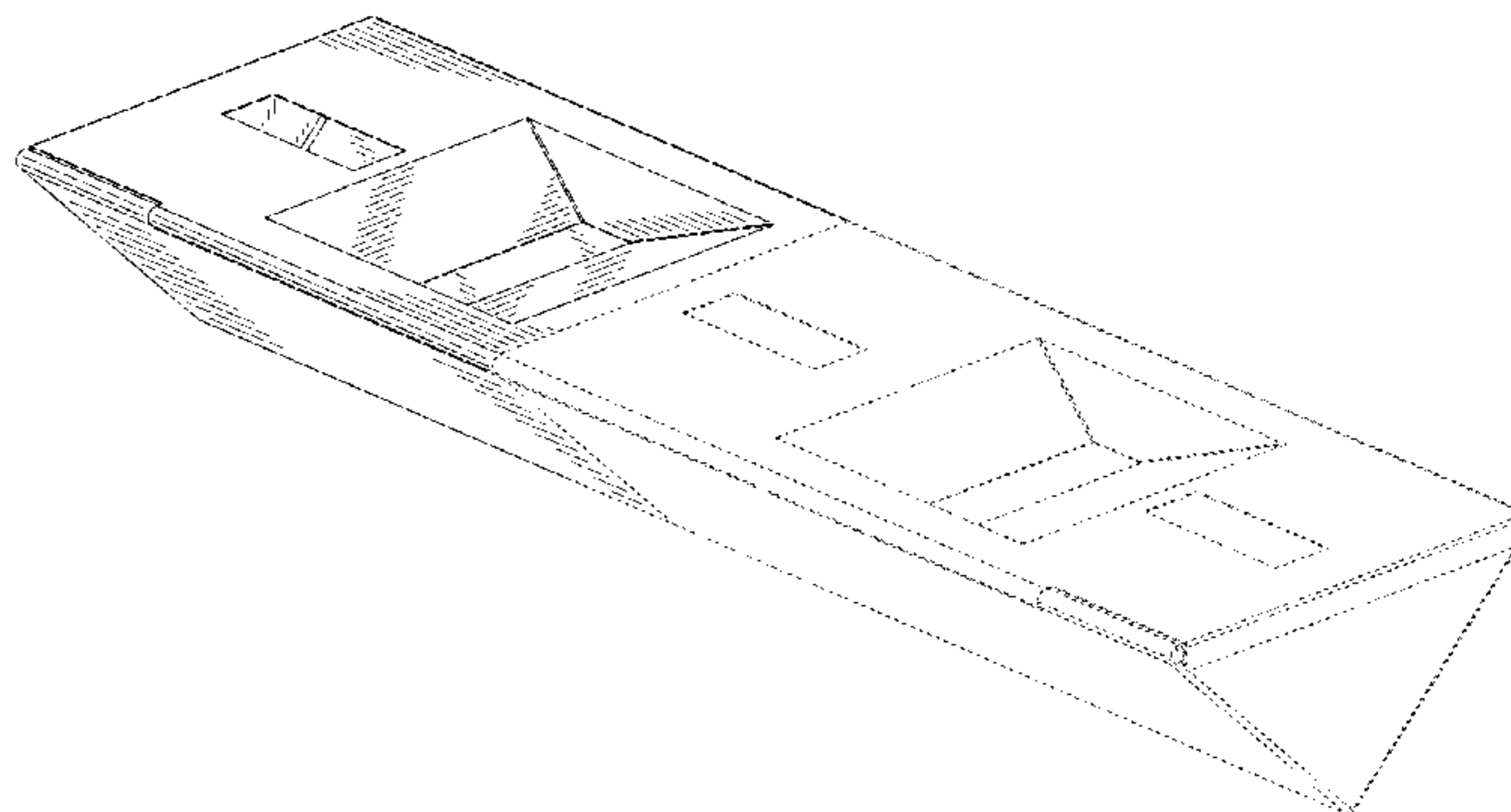
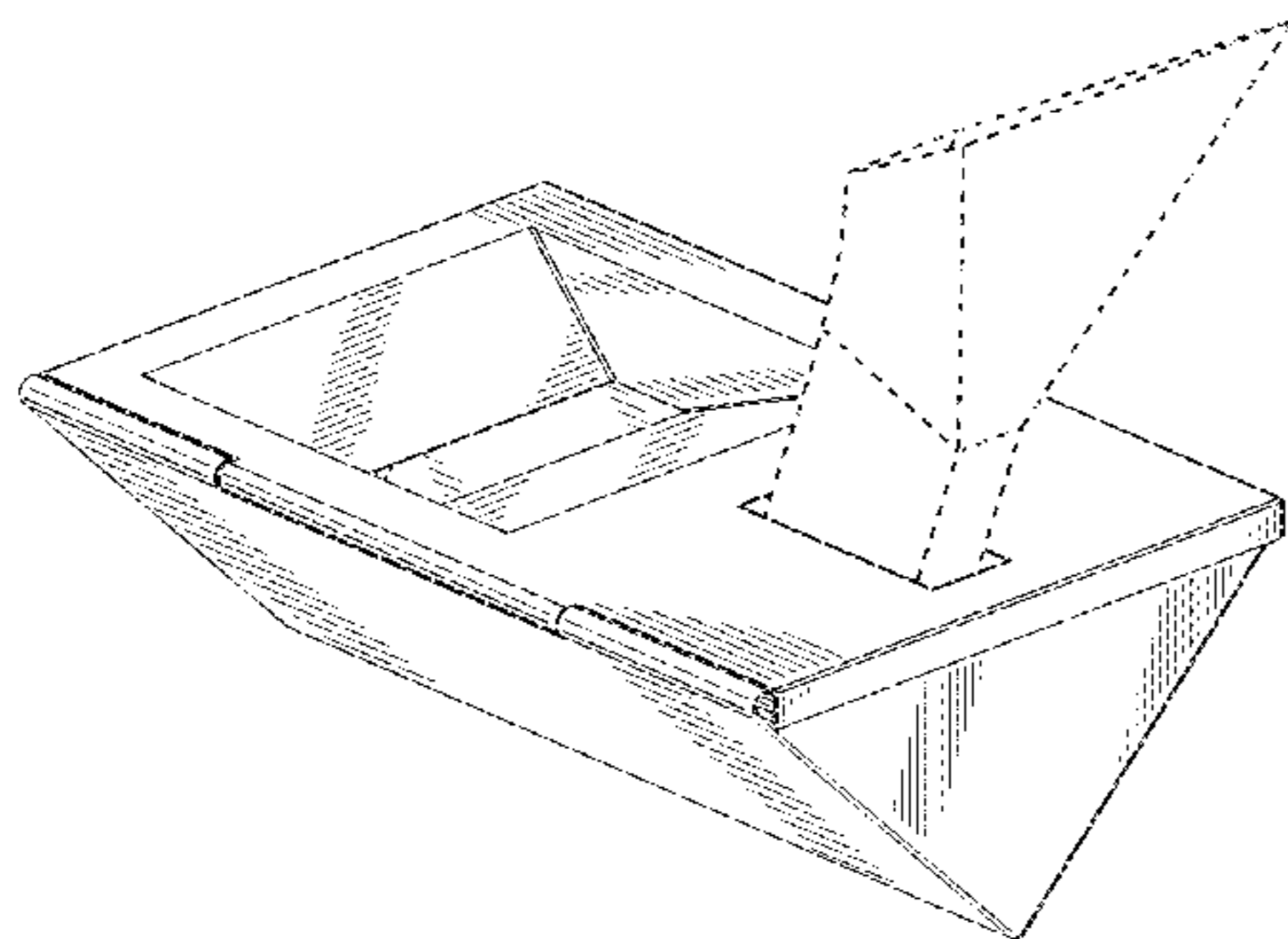
FIG. 1 is a top rear perspective view of a barbecue smoker showing our new design;  
 FIG. 2 is another top rear perspective view thereof without the stowed funnel;  
 FIG. 3 is a rear elevational view thereof;  
 FIG. 4 is a right end elevational view thereof, the left end being a mirror image;  
 FIG. 5 is a front elevational view thereof;  
 FIG. 6 is a top plan view thereof; and  
 FIG. 7 is a bottom plan view thereof.  
 FIG. 8 is a top rear perspective view of a second embodiment thereof;  
 FIG. 9 is a rear elevational view of FIG. 8;  
 FIG. 10 is a right end elevational view of FIG. 8;  
 FIG. 11 is a front elevational view of FIG. 8;  
 FIG. 12 is a top plan view of FIG. 8; and  
 FIG. 13 is a bottom plan view of FIG. 8.  
 The details shown in broken lines form no part of the claimed design.

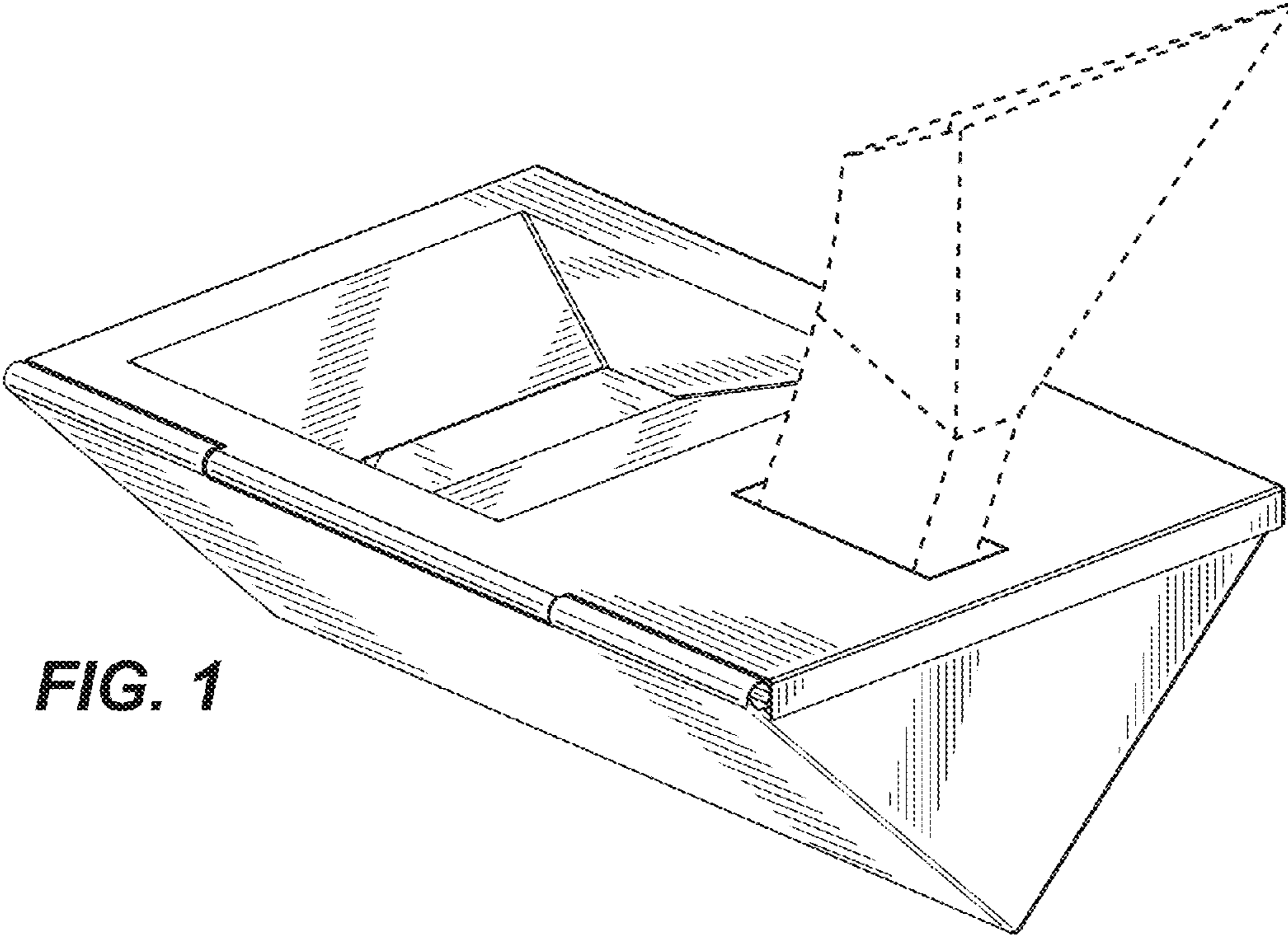
(56) **References Cited**

U.S. PATENT DOCUMENTS

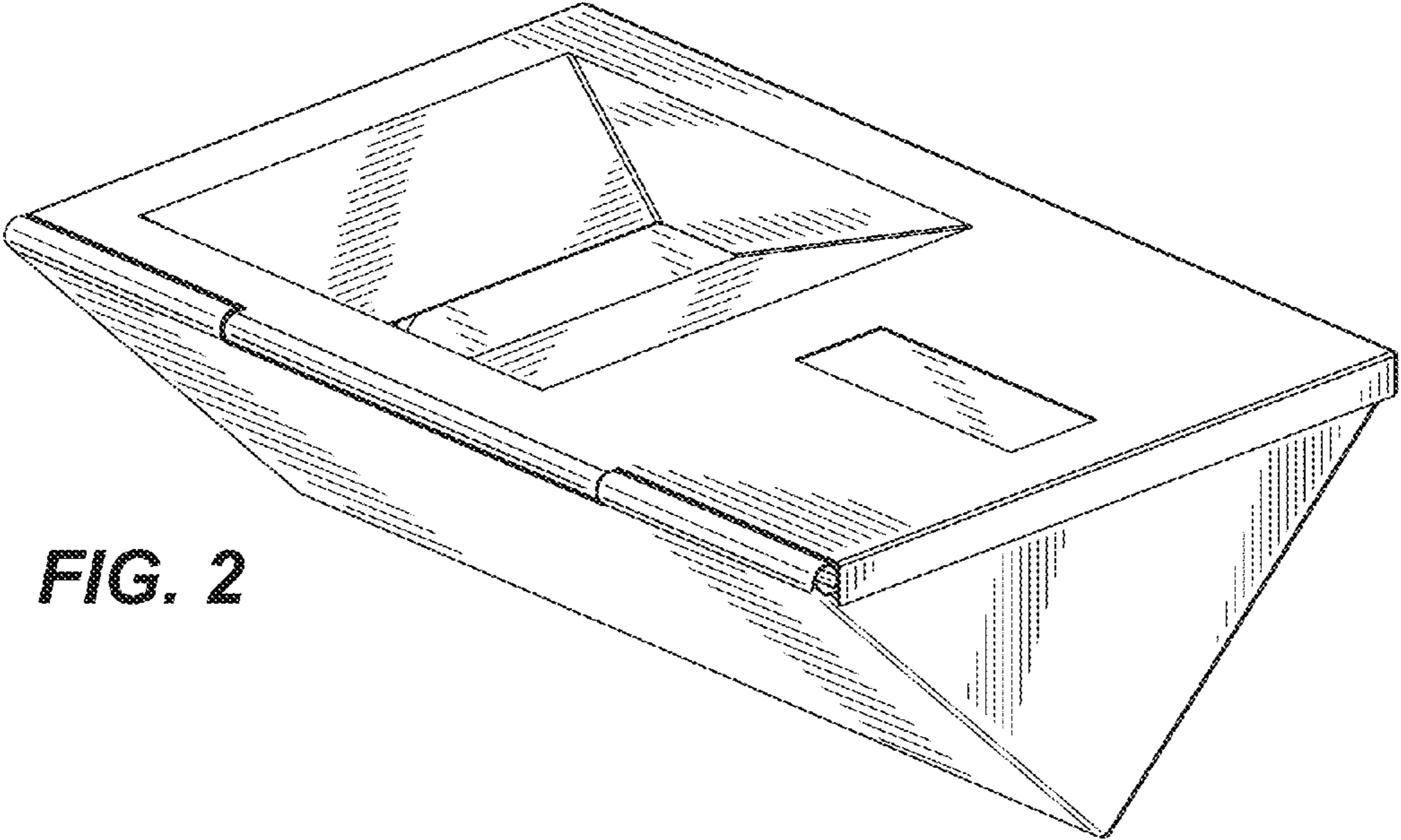
3,482,760	A	*	12/1969	Boehm et al.	.....	229/115
4,471,749	A	*	9/1984	Galdes	.....	126/9 R
D283,588	S	*	4/1986	Stuckey	.....	D7/332
D289,964	S	*	5/1987	Osborne	.....	D7/337
D363,191	S	*	10/1995	Gibson	.....	D7/402
D375,020	S	*	10/1996	Cothorn	.....	D7/402
D391,117	S	*	2/1998	Law et al.	.....	D7/417
D534,034	S	*	12/2006	Chambers	.....	D7/402
D559,098	S	*	1/2008	Wilbur	.....	D9/417
D585,702	S	*	2/2009	Borovicka et al.	.....	D7/409
7,866,256	B2	*	1/2011	Frigo	.....	99/340

**1 Claim, 6 Drawing Sheets**





**FIG. 1**



**FIG. 2**

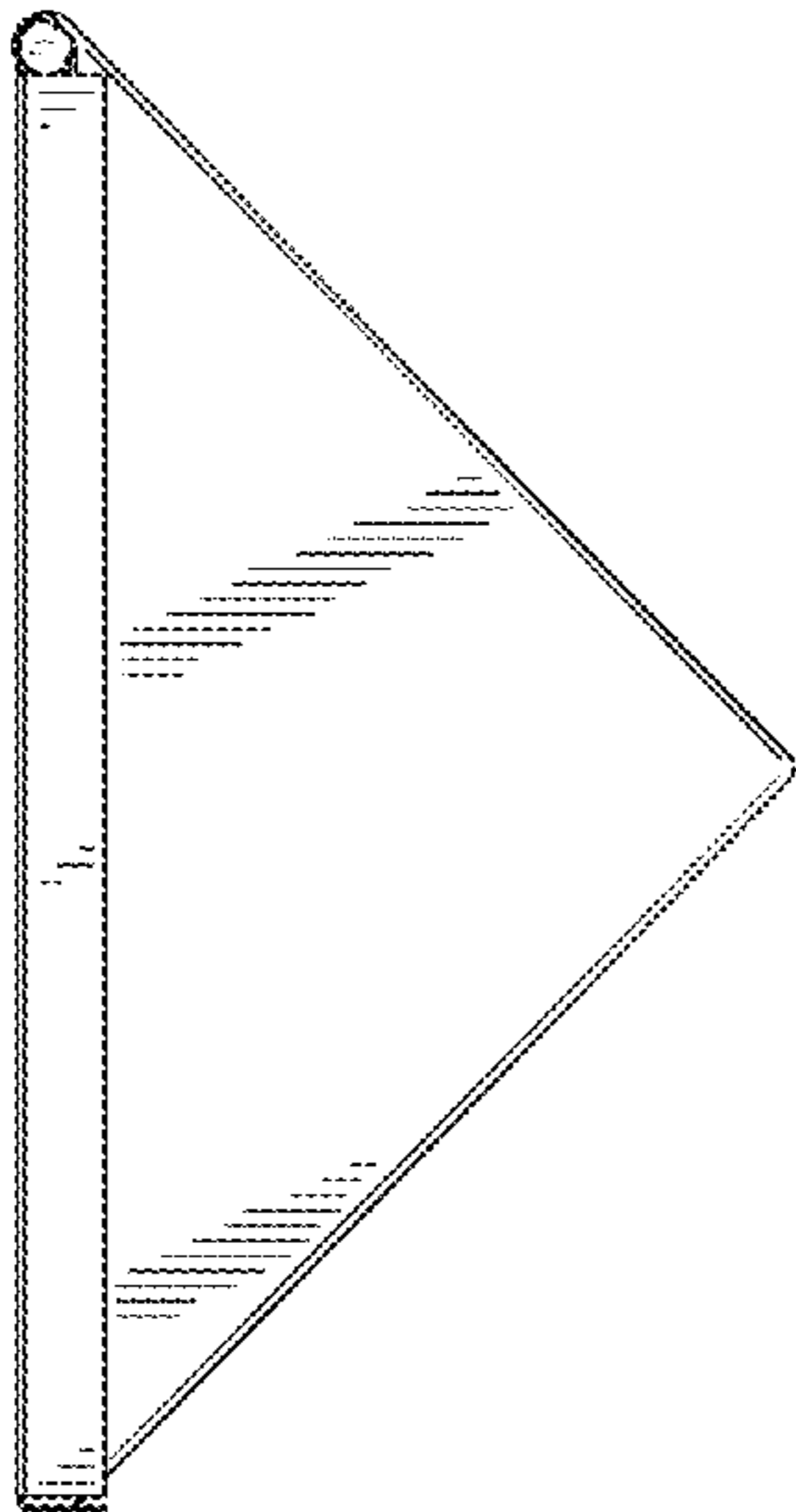


FIG. 4

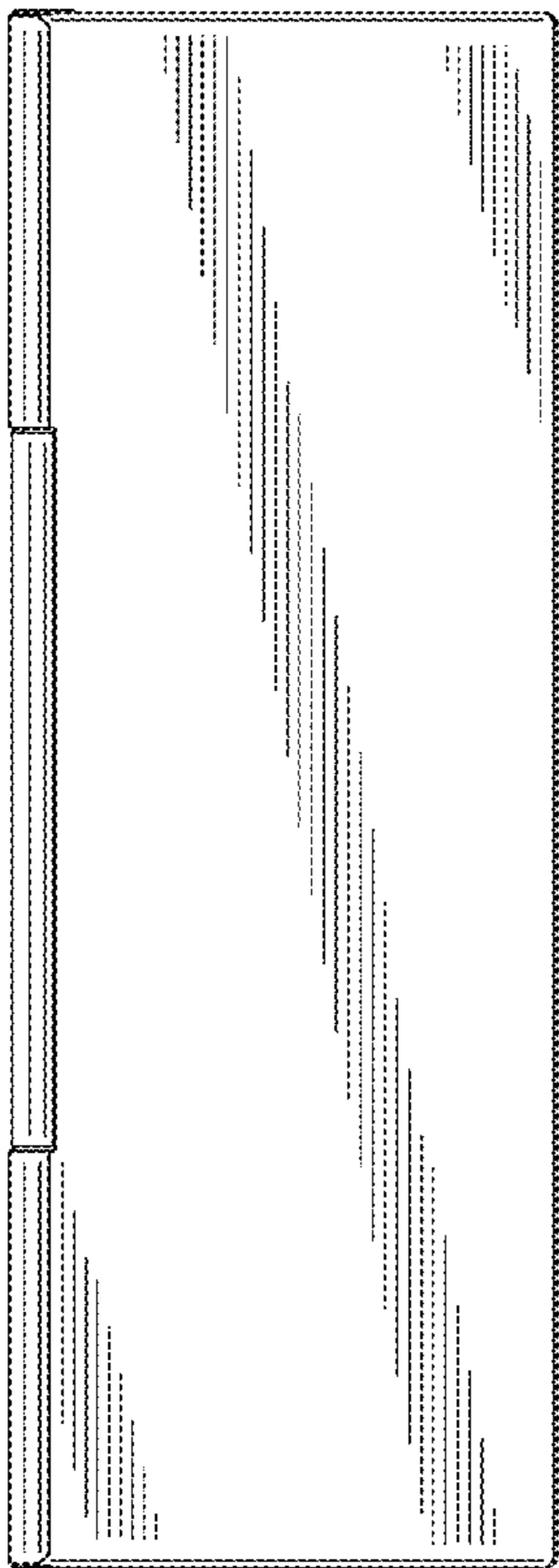


FIG. 3

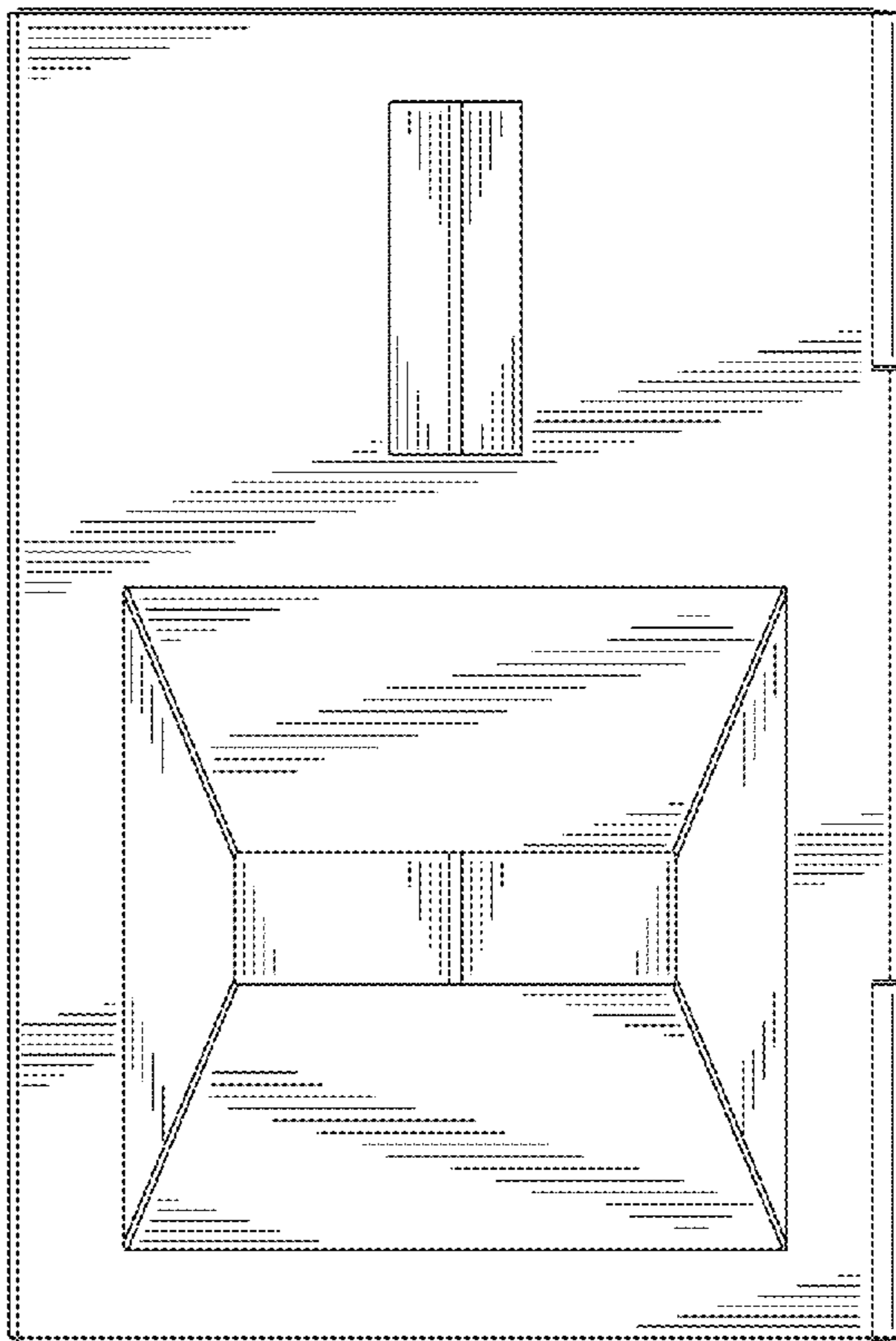


FIG. 6

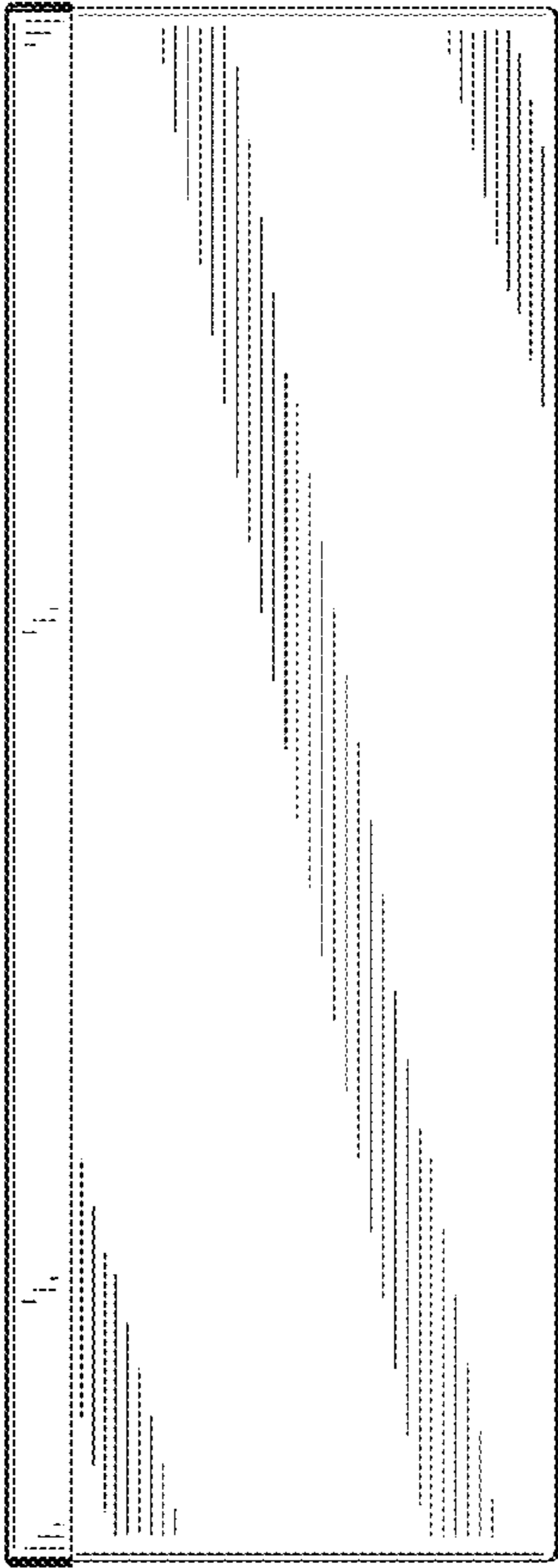


FIG. 5

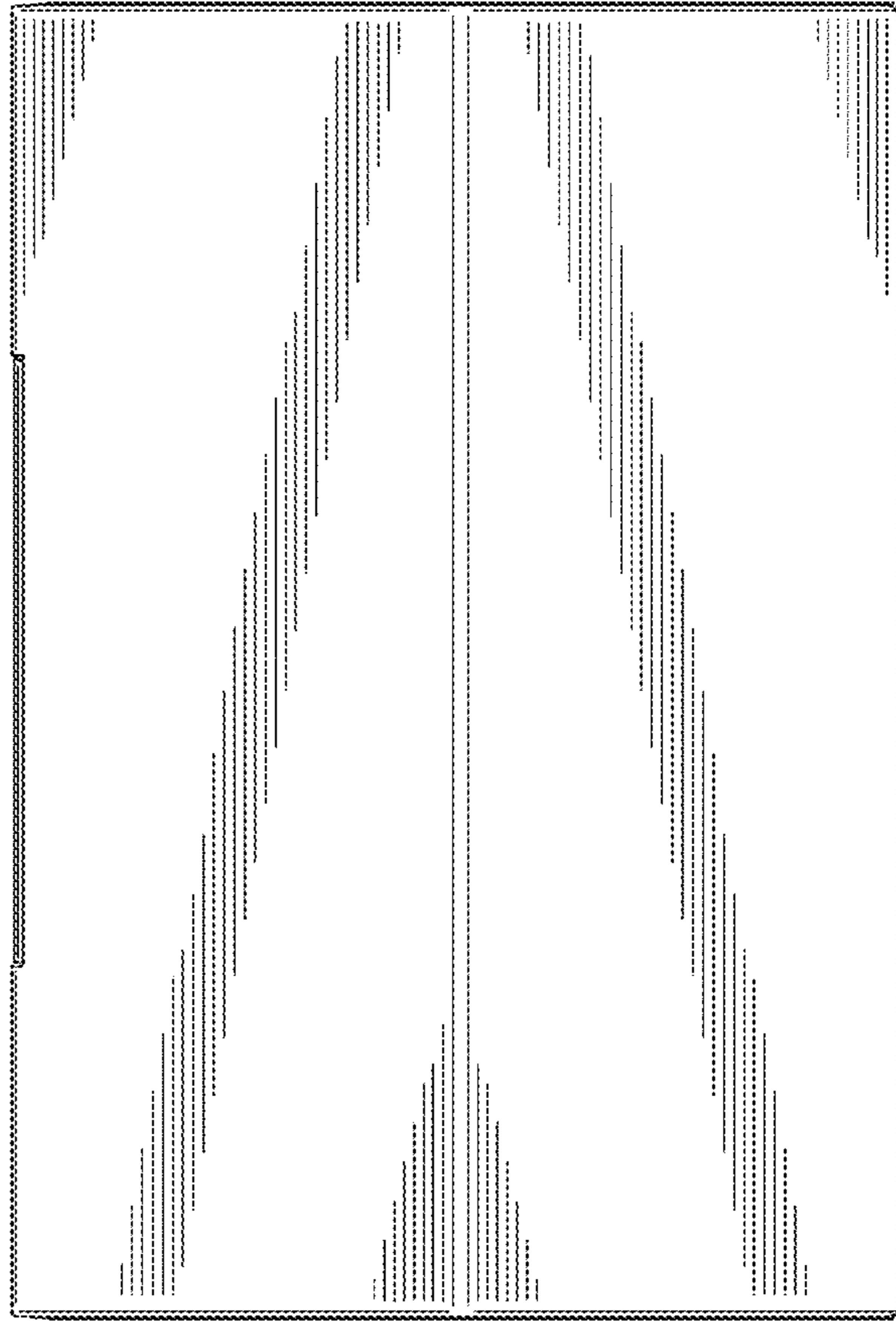


FIG. 7

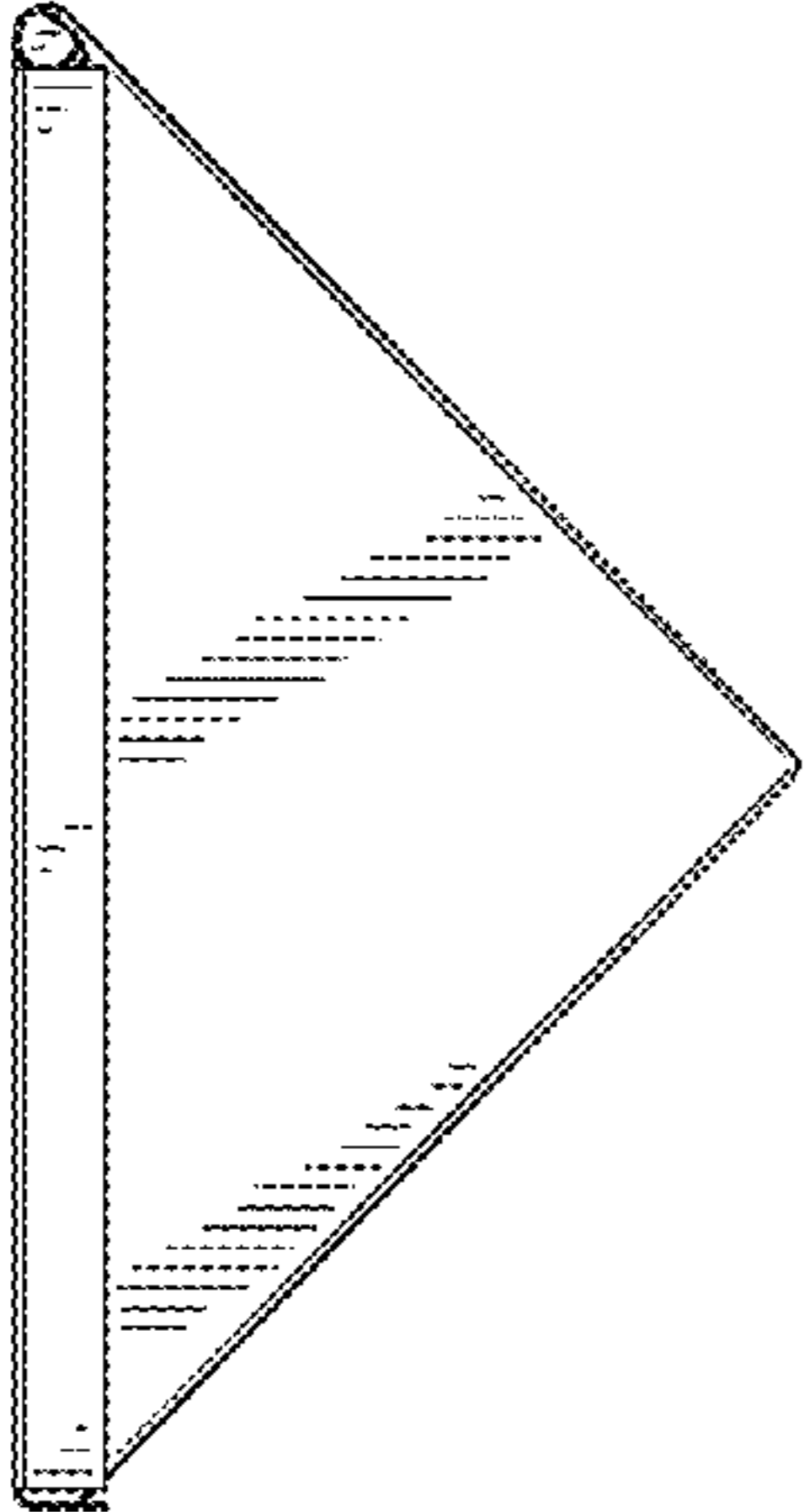


FIG. 10

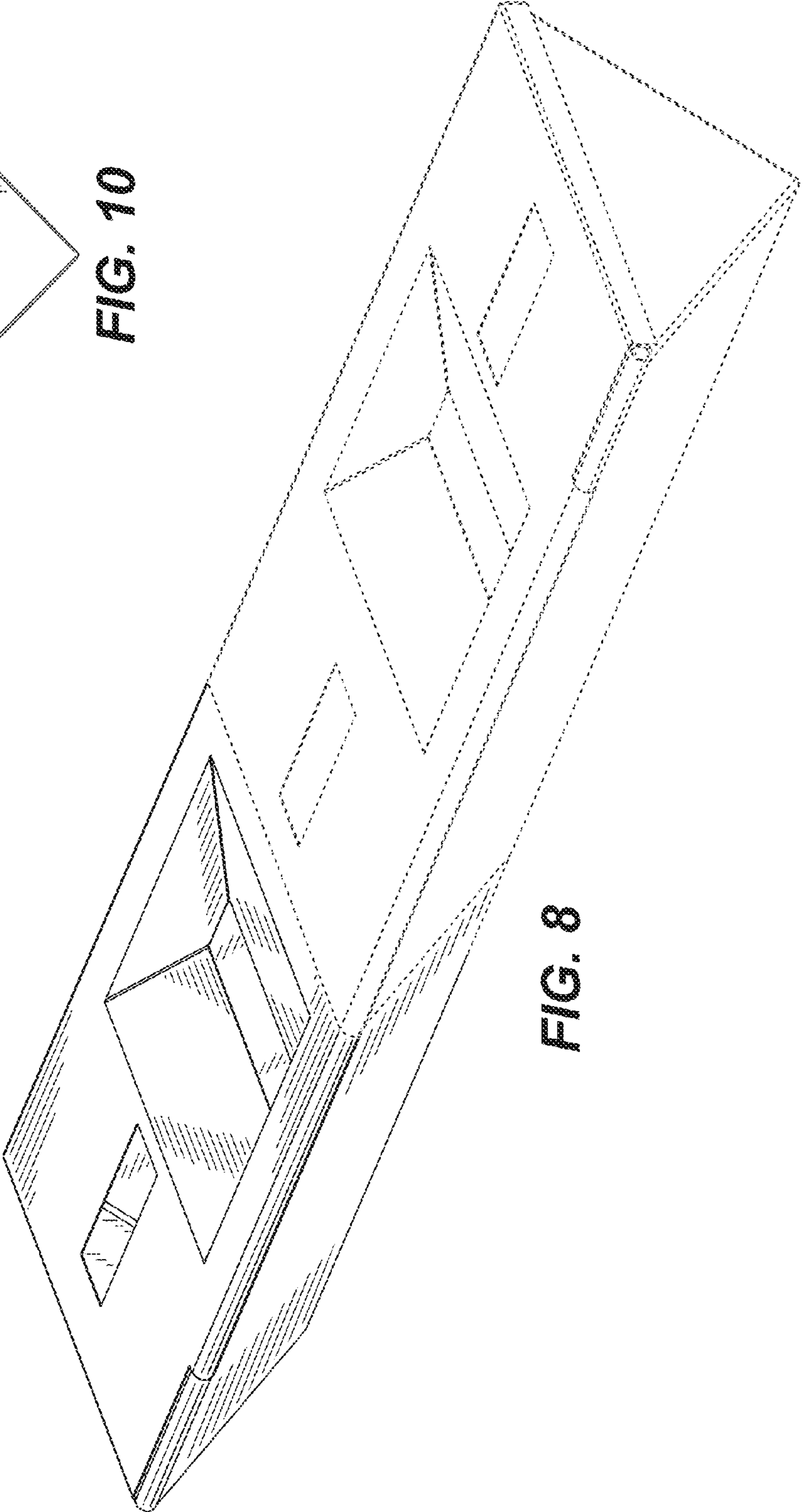
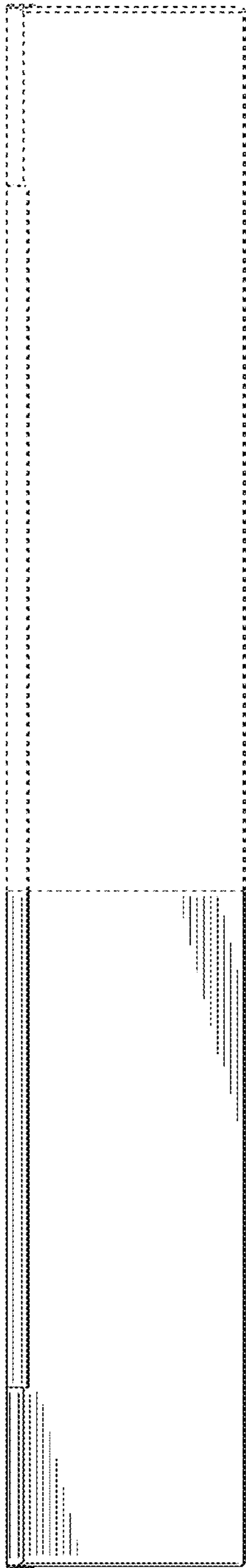
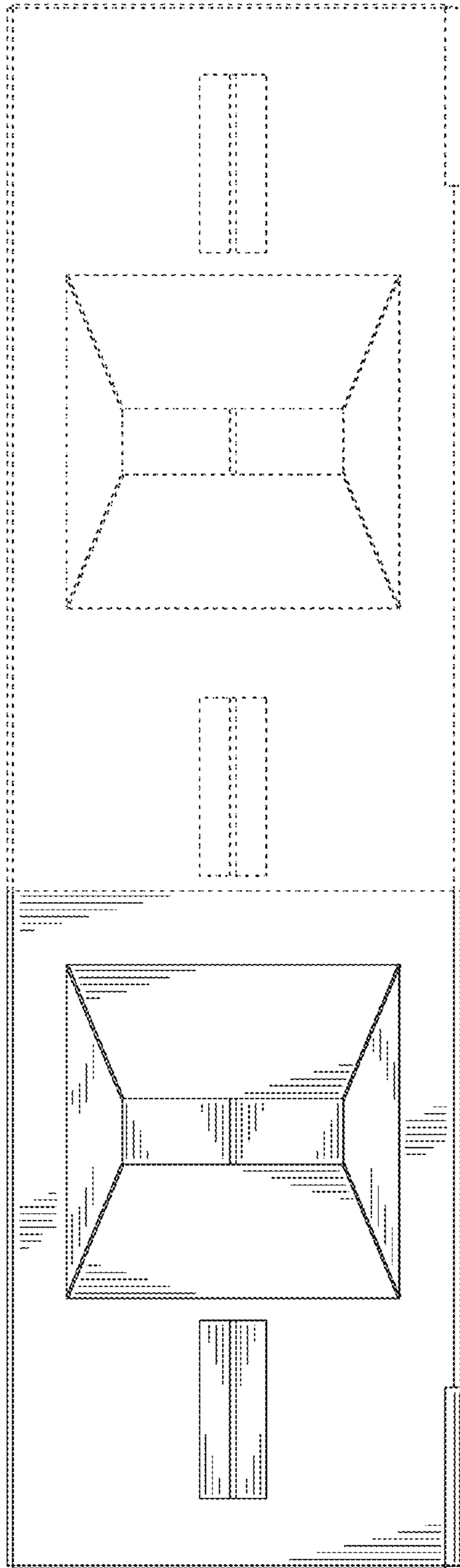


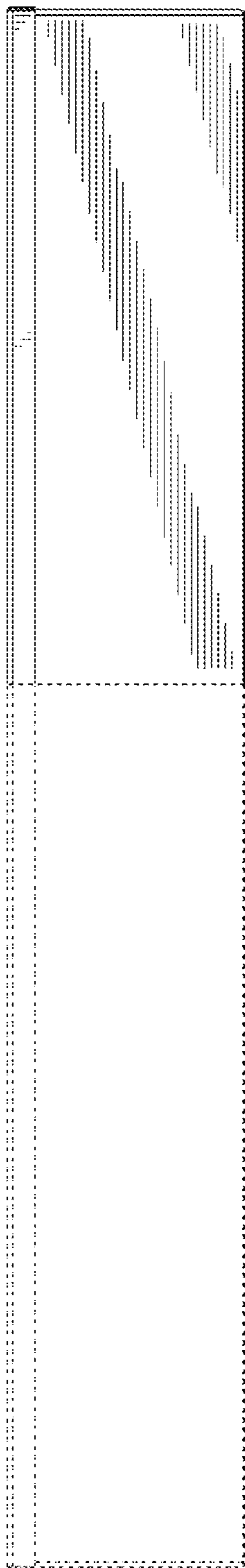
FIG. 8



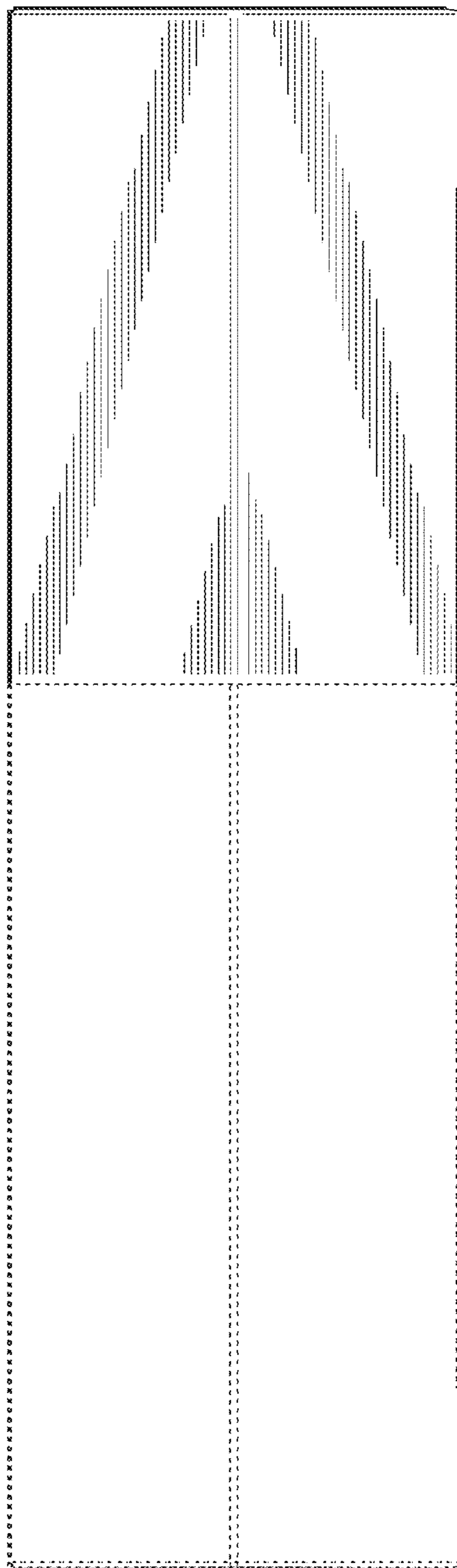
**FIG. 9**



**FIG. 12**



**FIG. 11**



**FIG. 13**